

LED Battery Operated Warning Light

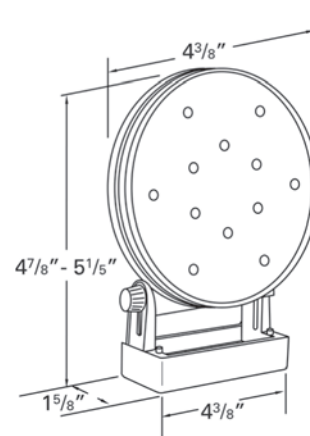
Data Sheet

WARNING AND HAZARD LIGHTING



PRODUCT SPECIFICATIONS

MATERIAL: NYLON/POLYCARBONATE
FINISH: YELLOW



Deploy this Flasher on any metal surface in seconds

- Gives long range LED warning.
- No cords to plug in.
- Three warning patterns to choose from.
- 72 hours of operation on two AA batteries. (batteries not included)
- Available in yellow.
- Includes a magnetic base
- Adjusts 180°
- 3 User-selectable light patterns

Part Number	Termination	Operating Voltage	Material
77923	NONE	2 x AA BATTERIES	NYLON/POLYCARBONATE