

Grote Select™ LED Flood Lamp

Product Information Sheet

FORWARD LIGHTING



LUMENS

775 r	360 i	350 e
Raw	Instant-On	Effective

PRODUCT SPECIFICATIONS

MATERIALS

Polycarbonate Lens
 Black Powder-Coated, Die Cast Aluminum Housing
 Stainless Steel Mounting Hardware
 Weight: .4 Pounds

RATINGS AND COMPLIANCES

Ingress Protection: IP67
 SAE J2139

LIGHT ENGINE

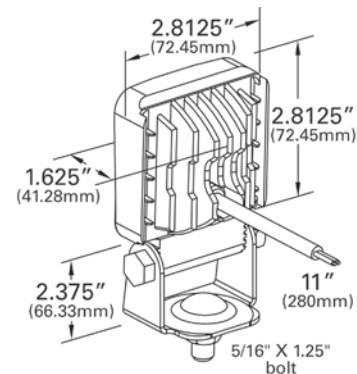
LED
 Efficacy: 103.9 Lumens per Watt
 Light Output Lumens: 775 Raw | 360 Instant On | 350 effective
 (Effective light measured after 30 minute warm-up)

OPTICS

Lens Optics
 Beam Patterns: Flood

ELECTRONIC CHARACTERISTICS

12-36 Volts (12V at .643A) and 24 Volts
 (24.015V at .315A) Input Voltage
 7.7 Watts
 Temperature Range: -30°C - 50°C



LED Technology, Low Power Draw, High Output.

- Compact design suits various applications
- Low power consumption
- IP 67: resistant to water and dust. Offers increased reliability and service life
- PC lens and aluminum housing. Lamp includes a swivel stainless steel bracket, bolts and washers for easy installation
- Connection: 11" cable, blunt cut
- 12V – 36V input range

Part Number	Termination	Beam Pattern	Operating Voltage (V)	Amperage (A)
64H01-5	HARDWIRE	FLOOD	12-36	.643A AT 12V; .315A AT 24V
64H01-1 (BULK RETAIL DISPLAY INCLUDES 4 LAMPS)	HARDWIRE	FLOOD	12-36	.643A AT 12V; .315A AT 24V

