

Trilliant® Cube LED WhiteLight Work Lamp

Data Sheet

WORK LIGHTING



LED performance in a new rugged package provides mounting flexibility, small size, and powerful performance

- Best solution for the most demanding requirements and ambient conditions, provided by using pressure die castings in aluminum for the housing and in stainless steel for the fastening elements (non-rusting).
- Hardened lens to prevent scratches or fading on exposure to the sun
- High efficiency; 1200 Lumen/23 Watt = 52 Lumen/Watt
- Available in Flood, Wide Flood, and Near Flood beam patterns.
- Leak proof sealed lamp is certified IP69K; stands up to scratches, pressure washing, and harsh weather.
- Available with Hard Shell Superseal and Deutsch connector options.

PRODUCT SPECIFICATIONS

MATERIALS

Plug connector type: Deutsch / or Hard Shell Superseal plug connection (for the Near Flood versions)
 Operation at ambient temperature with full light output: -40 °C to 50 °C (-40 °F to 122 °F)
 Storage temperature: -40 °C to 100 °C (-40 °F to 122 °F)
 Housing material: Aluminum pressure die casting, black powder coated
 Lens: PC, UV-resistant and with anti-scratch coating
 Temperature management: Optimized design of the cooling fins
 Assembly options: Standard bracket with M10 screw

ELECTRICAL PROPERTIES

Input voltage: 9 V - 16 V or 18 V - 32 V
 Power draw: 23 W (12 V) or 25 W (24 V)
 Voltage Amp: 1.9 A for 12 V or 1.04 A for 24 V
 Electrical protection: Reverse polarity, ESD, excess voltage

LIGHT INTENSITY

Light emitting efficiency: 55 (Lumen per Watt)
 Optical performance: Wide Flood, Flood, and Near Flood
 Color rendering index (CRI): 69
 Effective range (5 Lux on ground): Wide Flood illumination 12 m (39 ft.); Flood illumination 23 m (75 ft.)
 Effective area of dispersal (5 Lux on ground):
 Wide Flood illumination: 7 m (23 ft.);
 Flood illumination: 7 m (23 ft.)

TESTS & CERTIFICATES

Shock test: EN 60068-2-6:1996, EN 60068-2-64:1995, EN 60068-2-29:1993, EN 60068-2-27:2009, EN 60068-2-32:1993
 Thermal stress test: EN 60068-2-2:2007, IEC 60068-2-14:2009
 Protection type: IP69K (ISO 20653), FMVSS108 14.5.2, FMVSS108 14.5.3, ISO 20653-IP6, EN 60068-2-30:2005
 Corrosion: FMVSS108 S14.5.4
 Storage temperature test: ISO 16750-4:2003
 Light output: IESNA LM-79
 EMC Certificate, UN Guideline: 72/245/EEC, CE, CISPR 25 Class 5, R10, R23*

Part Number	Termination	Beam Pattern	Color Temp.	Operating Voltage (V)	Amperage (A)	Effective
63981	HARD SHELL SUPERSEAL	FLOOD	6500	12/24	1.4/.7A	1200
63981-5	HARD SHELL SUPERSEAL	FLOOD	6500	12/24	1.4/.7A	1200
63991	HARD SHELL SUPERSEAL	WIDE FLOOD	6500	12/24	1.4/.7A	1200
63991-5	HARD SHELL SUPERSEAL	WIDE FLOOD	6500	12/24	1.4/.7A	1200
63E21	DEUTSCH	FLOOD	6500	12/24	1.4/.7A	1200
63E31	DEUTSCH	WIDE FLOOD	6500	12/24	1.4/.7A	1200
63L21	DEUTSCH	NEAR FLOOD	5700	9-32 V	0.75/1.5 A	1200
63U01	DEUTSCH	FLOOD	5700	12 V	1.9 A	1200
63U41	DEUTSCH	NEAR FLOOD	5700	12 V	1.9 A	1200
63U41-3	DEUTSCH	NEAR FLOOD	5700	12 V	1.9 A	1200
63U51	DEUTSCH	NEAR FLOOD	5700	24 V	1.04 A	1200
63H31	DEUTSCH	FLOOD	6500	48 V	0.035 A	1200

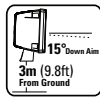
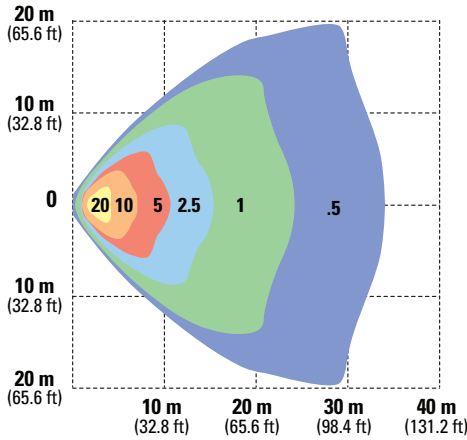


Trilliant[®] Cube LED WhiteLight[™] Work Lamp

Data Sheet

WORK LIGHTING

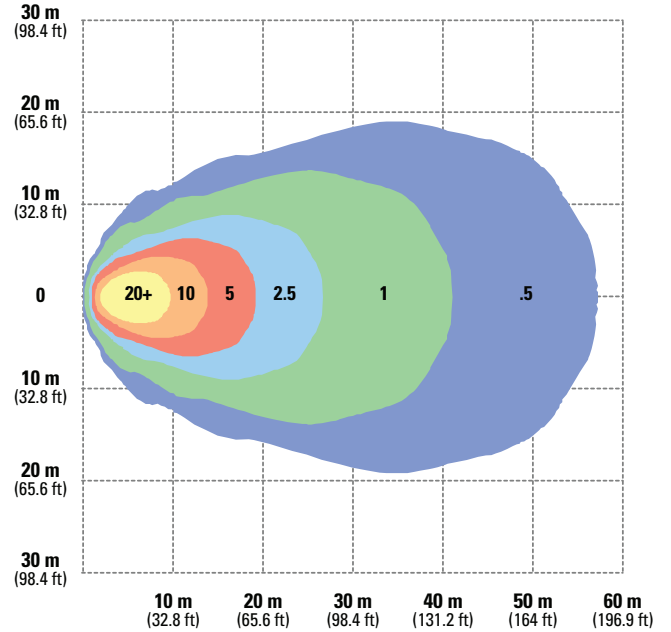
Trilliant[®] CUBE Wide Flood - IsoLux



Illuminance (Lux)



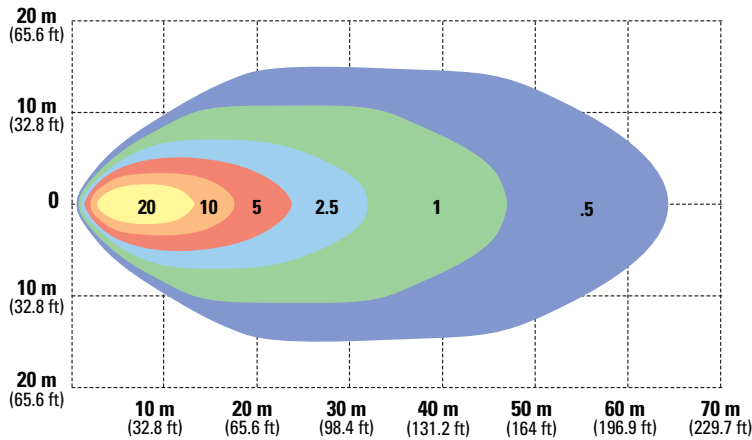
Trilliant[®] CUBE Near Flood - IsoLux



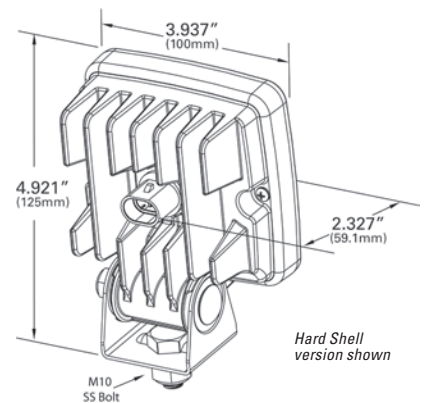
Illuminance (Lux)



Trilliant[®] CUBE Flood - IsoLux



Illuminance (Lux)





lighting facts[®]

A Program of the U.S. DOE

Light Output (Lumens)	976
Watts	15.89
Lumens per Watt (Efficacy)	61
Color Accuracy Color Rendering Index (CRI)	74
Light Color Correlated Color Temperature (CCT)	7102 (Daylight)
Warranty**	Yes

All results, except LED Lumen Maintenance, are according to IESNA LM-79-2008: *Approved Method for the Electrical and Photometric Testing of Solid-State Lighting.*

The U.S. Department of Energy (DOE) verifies product test data and results.

Registration Number: 6MZX-QEA4PH (3/18/2013)

Model Number: 63981

Type: Other