

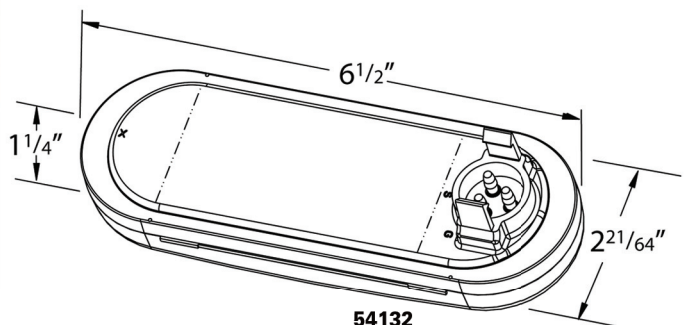
Oval LED Stop/Tail/Turn Lamp

Product Data Sheet



Product Features and Benefits:

- High visibility optics combined with high output LED's result in a high performing stop, tail and turn lamp
- Available in Grote OEM male pin, hard shell, and hard wired termination options for easy retrofit or replacement
- Electronics completely encapsulated with durable epoxy for maximum protection from the environment
- Fits current mounting flanges and grommets



54132
54133



Product Specs:

54132/54133 Grote Male Pin
54142/54143 Hard Shell

Material: Acrylic/ABS
Finish: Base-White; Lens- Red / Amber
FMVSS Code: 16, P, S, T, P2

Part Number	Market	Light Source	Operating Voltage	Current Draw	Interchange
54132 - SuperNova®	Truck and Trailer	LED	13.5V	.02A (T)/.14A (I,S)	NA
54133 - SuperNova®	Truck and Trailer	LED	13.5V	.02A (T)/.14A (I,S)	NA
54142 - SuperNova®	Truck and Trailer	LED	13.5V	.02A (T)/.14A (I,S)	NA
54143 - SuperNova®	Truck and Trailer	LED	13.5V	.02A (T)/.14A (I,S)	NA



Learn more about car speakers we have.