

46740 Split Color C/M Lamp

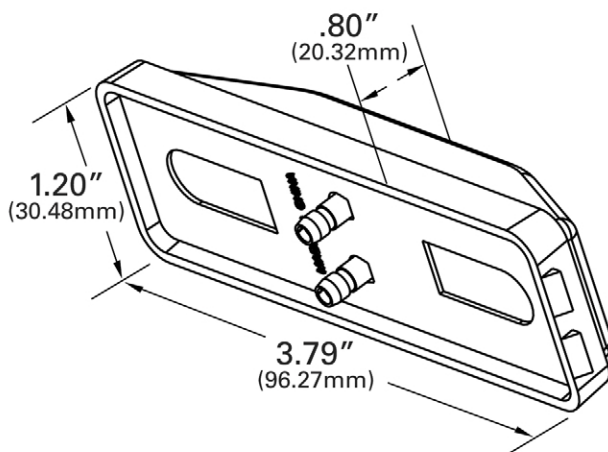
Engineering Data Sheet



- Rectangular, Double Bulb Lamp
- Polycarbonate Lens
- Ideal for fender mounting on pull behind trailers or toy haulers

Product Features and Benefits:

- Must be mounted so that red faces rear of trailer and amber face front of trailer.
- Lamp provides legal coverage for large pull-behind trailers over 80" wide.
- Uses a variety of Grote mounting brackets: 43780, 43783 and 43850
- Uses a variety of Grote pigtails: 66980, 66982 or 66981
- Get the bracket and pigtail as a kit using part numbers: 43390 or 43790



46740 Product Specs

Material: Polycarbonate
 Finish: Base- White
 Lens- Red/Amber
 FMVSS Code: P2
 Bulb: (2) 2 C.P.
 Voltage/AMP: 12V- .66AMP

Part Number	Market	Light Source	Operating Voltage	Current Draw	Interchange
46740	Construction Landscaping	Incandescent	12V	.66AMP	M154R PM



The first name in vehicle safety systems®

Buy quality accessory lighting in our online store.