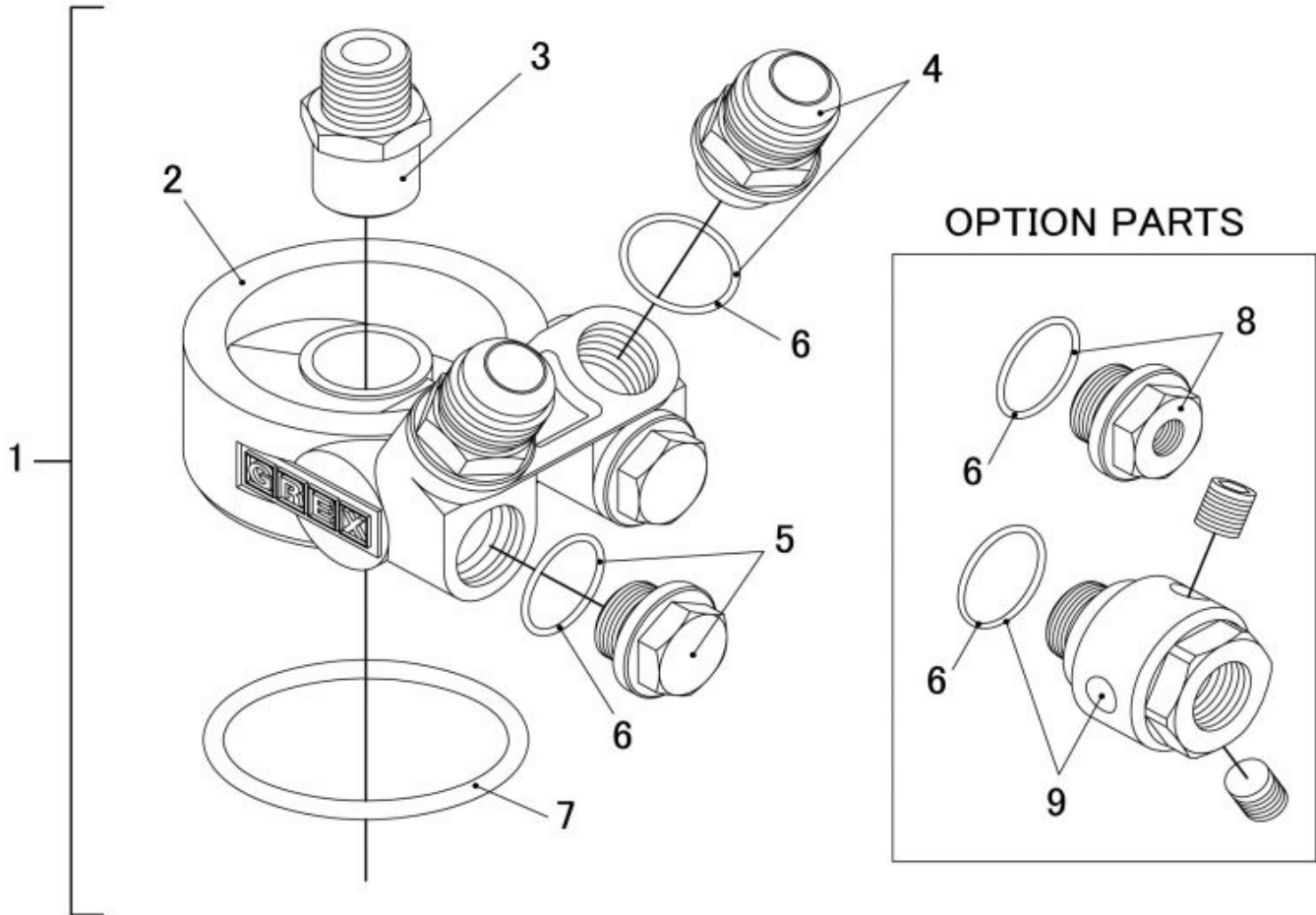




**OIL BLOCK TYPE-E**  
( Standard Japanese Automotive Engine )



#	PRODUCT	ENGINE THREAD	FILTER THREAD	PART #	NOTES
1	<b>OIL BLOCK TYPE-E ASSEMBLY</b>	3/4 X 16UNF	3/4 X 16UNF	12401123	-10 AN FITTINGS
		M20 X P1.5	3/4 X 16UNF	12401126	
		M20 X P1.5	M20 X P1.5	12401119	
2	Replacement Type E Block (only)			12401110	with thrmostat
3	Center bolt	3/4 X 16UNF	3/4 X 16UNF	12002812	
		M20 X P1.5	3/4 X 16UNF	12401152	
		M20 X P1.5	M20 X P1.5	12002813	
4	AN10 Fitting M18xP1.5			12005103	with sm o-ring
5	M18 Plug Fitting M18xP1.5			12401121	with sm o-ring
6	Small O-ring - 22mm dia.			12401101	for sm fittings
7	Large O-ring - 57mm dia.			12401103	for Oil Block Type E
8	M18 Fitting Adaptor for 1/8 BSP (JDM 1/8PT)			16400720	
9	M18 Multi Fitting Adaptor for 1/8 BSP (JDM 1/8PT)			12401178	