

FUEL TRANSFER PUMP & METER CATALOG



2017

QUALITY FUEL TRANSFER
PRODUCTS SINCE 1972





Great Plains Industries (GPI®) is a leading manufacturer of fuel transfer pumps, specialty pumps and fuel meters. With over forty years of experience in the industry, we design and engineer quality products with one focus in mind – our customers.

All design, testing, tooling and manufacturing of GPI products is completed at our large facility in the heartland of the U.S.A. using the latest in quality standards.

Our products perform year after year, in extreme weather and under the most demanding operational conditions.

We are proud to provide quality products, exceptional warranties and outstanding customer service.

Model Number Extensions and Abbreviations

AD	Automatic Diesel Nozzle included
AL	Automatic Leaded Nozzle included
AU	Automatic Unleaded Nozzle included
BV	Ball Valve Nozzle included
G6N	Gallon, ¾ inch, NPT threads
G8N	Gallon, 1 inch, NPT threads
G12N	Gallon, 1 ½ inch, NPT threads
L6B	Litre, ¾ inch, BSPP threads
L8B	Litre, 1 inch, BSPP threads
L12B	Litre, 1 ½ inch, BSPP threads
L6N	Litre, ¾ inch, NPT threads
L8N	Litre, 1 inch, NPT threads
L12N	Litre, 1 ½ inch, NPT threads

MD	Manual Diesel Nozzle included
ML	Manual Leaded Nozzle included
MU	Manual Unleaded Nozzle included
NUL	Product is not UL Listed
P0	Pump Only, Hose & Nozzle not included
RD	Remote Dispenser
UL	The product is UL Listed
XTS	Extreme Temperature Series
6	¾ inch
8	1 inch
12	1 ½ inch



BUY THE RIGHT PUMP!

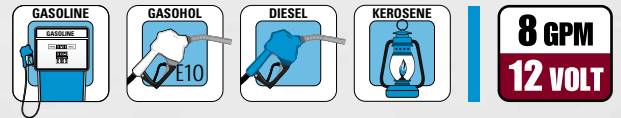
12 VOLT FUEL TRANSFER PUMPS



EZ-8

Ideal for filling small tanks on recreational, lawn, and landscape equipment.

- Factory-installed power cord
- Gas station equivalent flowrate
- Extremely lightweight design for use on small tanks and barrels
- Self-priming low maintenance design
- Thermal overload protection



EZ-8 SPECIFICATIONS

Flowrate (GPM / LPM)	8 / 30
Voltage	12-volt DC
Type	Rotary Gear
Power Cord	15 ft. (4.6 m) x 14/2 AWG
Inlet / Outlet Size	1 in. / 3/4 in. NPT
Dispensing Hose	10 ft. (3.0 m) x 5/8 in.
Suction Pipe	Telescoping 15 in. to 40 in.
Warranty	2 Year Pump
Certifications	LISTED MOTOR

ORDERING INFORMATION

Model	Part No.	Voltage	Nozzle	Nozzle Holder	Power Cord	Suction Pipe	Hose	Mount
EZ-8	137100-01	12-volt	Manual	Standard	Installed	Telescoping	10 ft.	Direct Mount

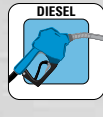
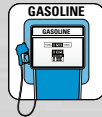


EZ-8 Box Contents

12 VOLT FUEL TRANSFER PUMPS



M-150S & M-240S



Designed for agriculture, automotive and construction applications.

- Factory-installed power cord
- 15 GPM flowrate, empties 100 gallon mobile tanks in approximately 7 minutes
- Models with spin collar design offer easy installation
- Extremely long life and trouble-free operation
- Cast aluminum construction
- Low profile design
- Circuit breaker motor protection

M-150S / M-240S SPECIFICATIONS	
Flowrate (GPM / LPM)	15 / 57
Voltage	12-volt DC / 24-volt DC
Type	Rotary Gear
Duty Cycle (On / Off)	30 min. / 30 min.
Power Cord	18 ft. (5.5 m) 12/2 AWG
Inlet / Outlet Size	1 in. / 3/4 in. NPT
Dispensing Hose	12 ft. (3.7 m) x 3/4 in. OR 10 ft. (3 m) 3/4 in.
Suction Pipe	Telescoping 15 in. to 40 in.
Warranty	2 Year Pump
Certifications	LISTED MOTOR



M-150S-AU

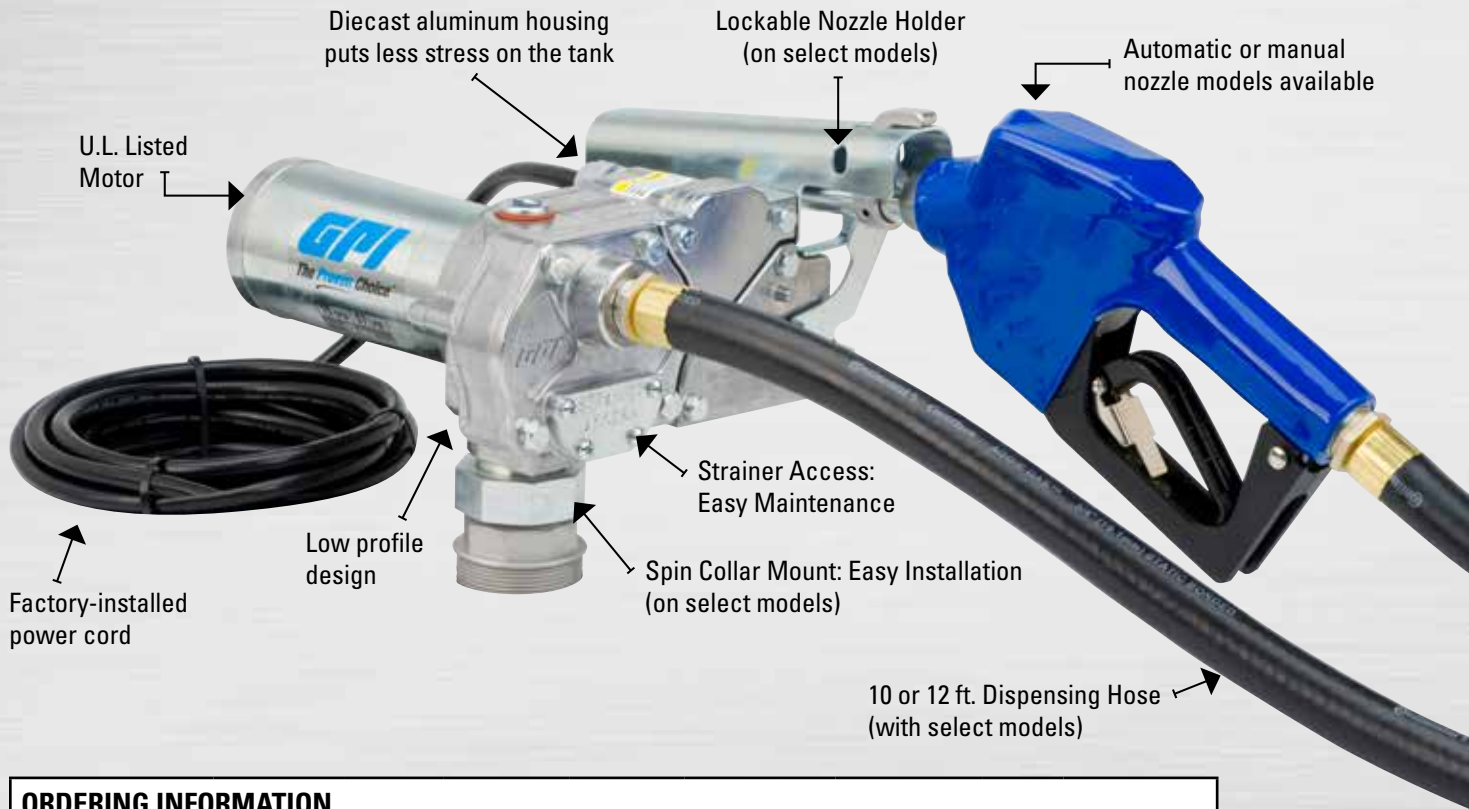


M-150S-MU



M-150S-EM

12 VOLT FUEL TRANSFER PUMPS



ORDERING INFORMATION								
Model	Part No.	Voltage	Nozzle	Nozzle Holder	Power Cord	Suction Pipe	Hose	Mount
M-150S-AU	110000-100	12-volt	Automatic	Lockable	Installed	Telescoping	12 ft.	Spin Collar
M-150S-MU	110000-99	12-volt	Manual	Lockable	Installed	Telescoping	12 ft.	Spin Collar
M-150S-EM	110000-107	12-volt	Manual	Standard	Installed	Telescoping	10 ft.	Direct Mount
M-150S-PO	110000-103	12-volt	None	Lockable	Included*	None	None	Spin Collar
M-150S-E-PO	110240-02	12-volt	None	Standard	None	None	None	Direct Mount
M-240S-MU	110000-70	24-volt	Manual	Lockable	Installed	Telescoping	12 ft.	Spin Collar

**Customer installation required*



M-150S-PO



M-150S-E-PO



M-240S-MU

12 VOLT PUMP & METER COMBO

The FM200 Meter is Compact, 5.5" x 4.5" x 5.5", and Compliments the Low-Profile M-150

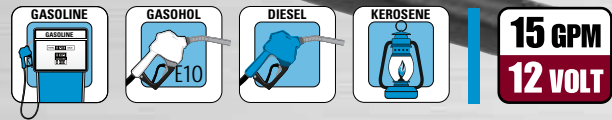
±2% Accuracy of Reading

4 to 20 Gallons per Minute Flow Range

4-Digit Display

U.L. Listed Meter



M-150S / FM-200 Combo



Designed for agriculture, automotive and construction applications.

- Factory-installed power cord
- Combo includes the low profile FM-200 meter and the M-150S Pump
- Spin collar design offers easy installation
- Extremely long life and trouble-free operation
- Cast aluminum construction
- Low profile design
- Meters available in gallon or litre models

M-150S / FM-200 SPECIFICATIONS

Flowrate (GPM / LPM)	15 / 57
Voltage	12-volt DC
Type	Rotary Gear
Duty Cycle (On / Off)	30 min. / 30 min.
Power Cord	18 ft. (5.5 m) x 12/2 AWG
Inlet / Outlet Size	1 in. / 3/4 in. NPT
Dispensing Hose	12 ft. (3.7 m) x 3/4 in.
Suction Pipe	Telescoping 15 in. to 40 in.
Warranty	2 Year Pump
Certifications	 

ORDERING INFORMATION

Model	Part No.	Voltage	Nozzle	Nozzle Holder	Power Cord	Suction Pipe	Hose	Mount
M-150S-AU / FM-200-G6N	110610-13	12-volt	Automatic	Lockable	Installed	Telescoping	18 ft.	Spin Collar
M-150S-MU / FM-200-G6N	110610-11	12-volt	Manual	Lockable	Installed	Telescoping	18 ft.	Spin Collar

For more information about the FM-200, go to page 33.



M-150S-AU / FM-200-G6N



M-150S-MU / FM-200-G6N

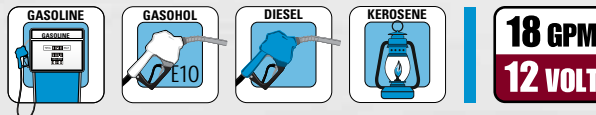
12 VOLT FUEL TRANSFER PUMPS



M-180S

Designed for agriculture, automotive and construction applications.

- Factory-installed power cord
- 18 GPM flowrate, used to fill equipment faster in mobile application
- Spin collar design for easy installation
- Extremely long life and trouble-free operation
- Cast aluminum construction
- Low profile design
- Circuit breaker motor protection



M-180S SPECIFICATIONS

Flowrate (GPM / LPM)	18 / 69
Voltage	12-volt DC
Type	Rotary Gear
Duty Cycle (On / Off)	30 min. / 30 min.
Power Cord	18 ft. (5.5 m) 12/2 AWG
Inlet / Outlet Size	1 in. / 1 in. NPT
Dispensing Hose	12 ft. (3.7 m) x 1 in.
Suction Pipe	Telescoping 15 in. to 40 in.
Warranty	2 Year Pump
Certifications	



ORDERING INFORMATION

Model	Part No.	Nozzle	Nozzle Holder	Power Cord	Suction Pipe	Hose	Mount	Filter Kit
M-180S-AU	110300-2	Automatic	Lockable	Installed	Telescoping	12 ft.	Spin Collar	None
M-180S-ML	110300-1	Manual	Lockable	Installed	Telescoping	12 ft.	Spin Collar	None
M-180S-PO	110300-7	None	Lockable	Included*	None	None	Spin Collar	None
M-180S-AU with Filter Kit	110612-01	Automatic	Lockable	Installed	Telescoping	12 ft.	Spin Collar	Included
M-180S-ML with Filter Kit	110612-02	Manual	Lockable	Installed	Telescoping	12 ft.	Spin Collar	Included

*Customer installation required

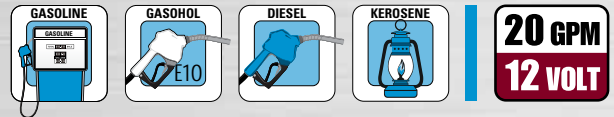
12 VOLT FUEL TRANSFER PUMPS




M-3020

The M-3020 is a rugged 12-volt, 20 GPM rotary vane pump that's built to perform. In lab tests the M-3020 lasted 2.5 times longer than the industry standard.

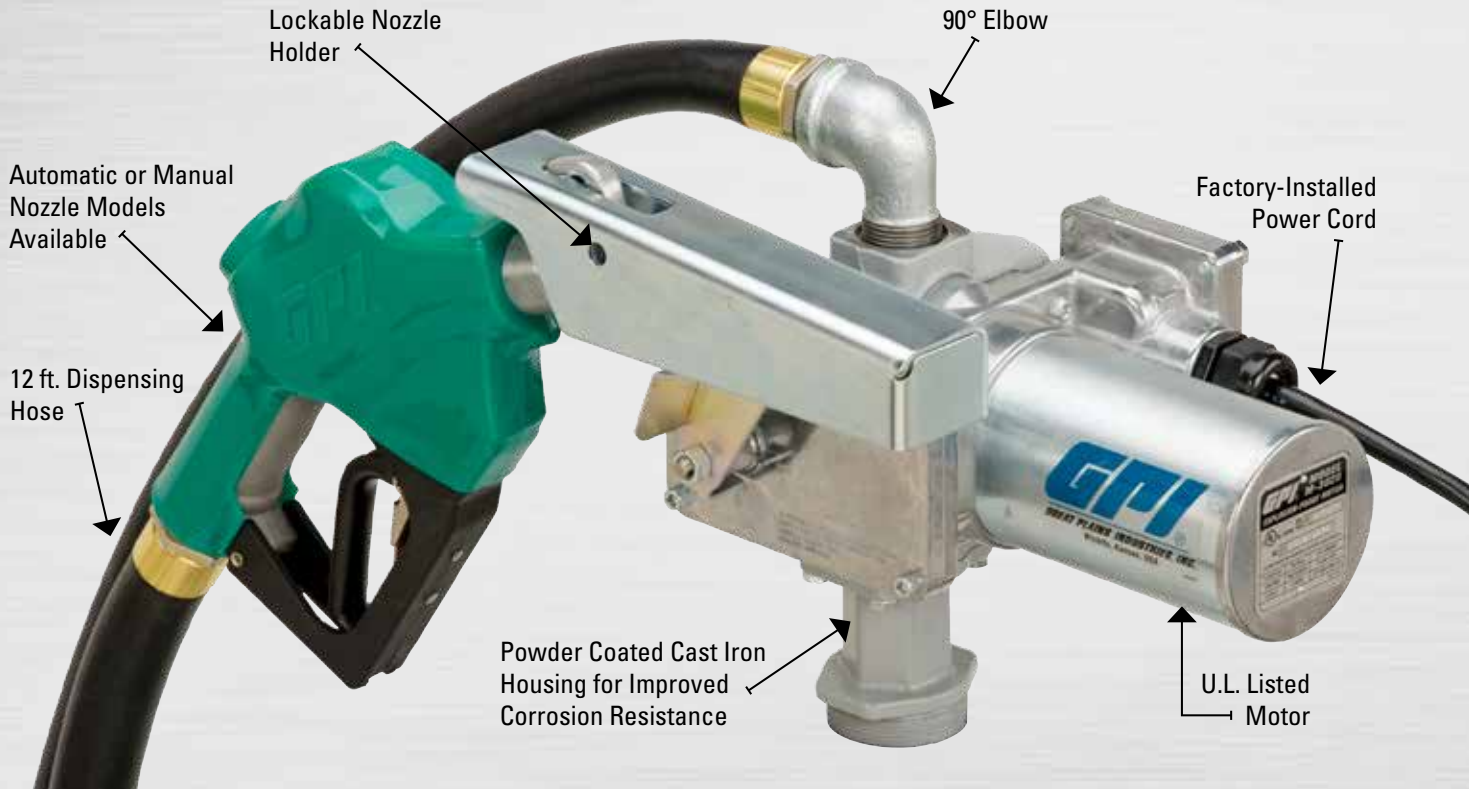
- 20 GPM flowrate at the nozzle, with 12 ft. x 1 in. hose and automatic diesel nozzle
- Larger rotor and carbon vanes for high performance, less wear and longer service life
- Completely sealed motor provides protection in the harshest environments
- Heavy-duty 40 amp circuit breaker switch protects the motor
- Cast iron pump housing
- Powder coated housing - Improves corrosion resistance
- Lockable nozzle hanger with a closed end provides security and protects the nozzle from the elements



M-150S SPECIFICATIONS

Flowrate (GPM / LPM)	20 / 76
Voltage	12-volt DC
Type	Carbon Vane
Duty Cycle (On / Off)	30 min. / 30 min.
Power Cord	18 ft. (5.5 m) 12/2 AWG
Inlet / Outlet Size	1 in. / 1 in. NPT
Dispensing Hose	12 ft. (3.7 m) x 1 in.
Suction Pipe	Telescoping to 15 in. to 40 in.
Warranty	2 Year Pump
Certifications	

12 VOLT FUEL TRANSFER PUMPS



ORDERING INFORMATION

Model	Part No.	Voltage	Nozzle	Nozzle Holder	Power Cord	Suction Pipe	Hose	Inlet Mount
M-3020-AD	144000-01	12-volt	Automatic	Lockable	Installed	Telescoping	12 ft.	Straight Base
M-3020-ML	144000-02	12-volt	Manual	Lockable	Installed	Telescoping	12 ft.	Straight Base
M-3020-PO	144000-03	12-volt	None	Lockable	Included*	None	None	Straight Base

**Customer installation required*



M-3020-AD



M-3020-ML



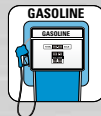
M-3020-PO

M-150S-PO

12 VOLT PUMP & METER COMBO



M-3025 & M-3425




25 GPM
12 VOLT

25 GPM
24 VOLT

When reduced fueling time is critical, the high-flow M-3025 delivers with up to 25 GPM.

- Great for filling large capacity tanks on equipment found in construction, agriculture, mining and logging applications
- Choose between two types of mount:
 - Weight centering inlet base includes pressure relief and easy strainer access
 - Straight base model with internal strainer
- Field-replaceable switch and vanes
- 40 amp circuit breaker motor protection
- Cold weather -40° F Extreme Temperature Series (XTS) available

M-3025 SPECIFICATIONS

Flowrate (GPM / LPM)	25 / 95
Voltage	12-volt DC / 24-volt DC
Type	Carbon Vane
Duty Cycle (On / Off)	30 min. / 30 min.
Inlet / Outlet Size	1 in. / 1 in. NPT
Warranty	2 Year Pump
Certifications	 LISTED MOTOR



M-3025CB-AD



M-3025CB-ML



M-3025CS-PO / M-3025CS-PO-XTS /
M-3425CS-PO

12 VOLT FUEL TRANSFER PUMPS



ORDERING INFORMATION

Model	Part No.	Voltage	Nozzle	Nozzle Holder	Power Cord	Hose	Inlet Mount
M-3025CB-AD	133265-04	12-volt	Auto Diesel	Lockable	18 ft.	18 ft.	Center Base
M-3025CB-ML	133265-03	12-volt	Manual	Lockable	18 ft.	18 ft.	Center Base
M-3025CS-PO	133262-03	12-volt	None	Lockable	15 ft.	None	Center Base
M-3025CS-PO-XTS	133262-93	12-volt	None	Lockable	15 ft.	None	Center Base
M-3025-AD	133240-2	12-volt	Auto Diesel	Lockable	15 ft.	12 ft.	Straight Base
M-3025-ML	133240-1	12-volt	Manual	Lockable	15 ft.	12 ft.	Straight Base
M-3025-PO	133240-3	12-volt	None	Lockable	15 ft.	None	Straight Base
M-3425-AD	133260-02	24-volt	Auto Diesel	Lockable	15 ft.	12 ft.	Straight Base
M-3425-ML	133260-01	24-volt	Manual	Lockable	15 ft.	12 ft.	Straight Base
M-3425-PO	133260-03	24-volt	None	Lockable	15 ft.	None	Straight Base
M-3425CS-PO	133262-04	24-volt	None	Lockable	15 ft.	None	Center Base



M-3025-AD / M-3425-AD



M-3025-ML / M-3425-ML



M-3025-PO / M-3425-PO

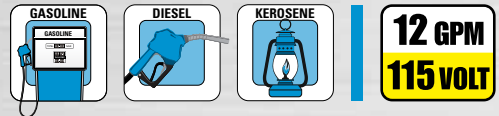
115 VOLT FUEL TRANSFER PUMPS





M-1115S

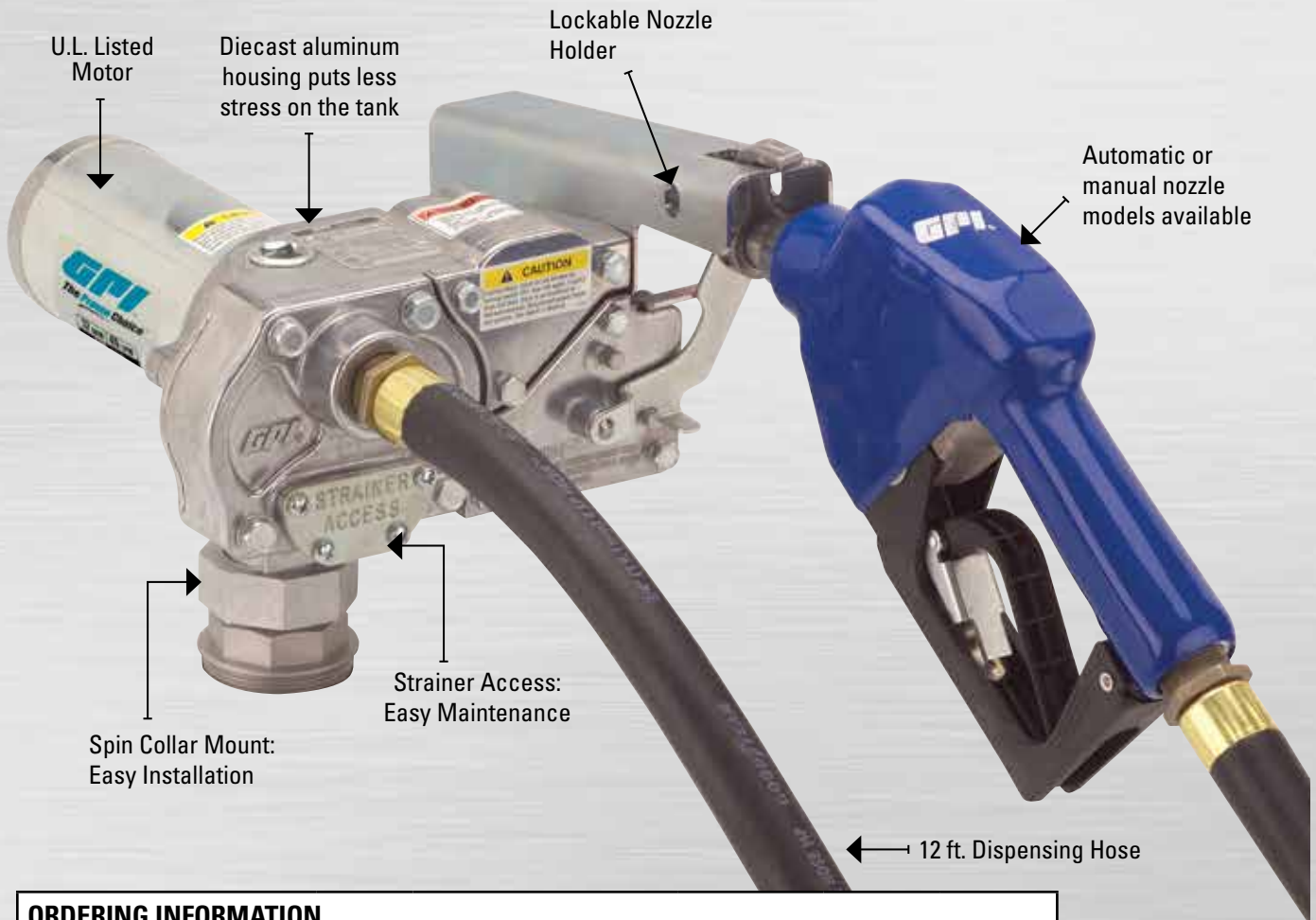
Designed for stationary locations in fleet, agriculture or industrial applications.

- Spin collar design for easy installation
- Extremely long life and trouble-free operation
- Cast aluminum construction
- Built-in auxiliary thermal motor protection



M-1115S SPECIFICATIONS	
Flowrate (GPM / LPM)	12 / 45
Voltage	115-volt AC
Type	Rotary Gear
Duty Cycle (On / Off)	30 min. / 30 min.
Inlet / Outlet Size	1 in. / 3/4 in. NPT
Dispensing Hose	12 ft. (3.7 m) x 3/4 in.
Suction Pipe	Telescoping 15 in. to 40 in.
Warranty	2 Year Pump
Certifications	 

115 VOLT FUEL TRANSFER PUMPS



ORDERING INFORMATION

Model	Part No.	Voltage	Nozzle	Nozzle Holder	Suction Pipe	Hose	Mount
M-1115S-AU	110000-82	115-volt	Automatic	Lockable	Telescoping	12 ft.	Spin Collar
M-1115S-MU	110000-81	115-volt	Manual	Lockable	Telescoping	12 ft.	Spin Collar
M-1115S-PO	110000-87	115-volt	None	Lockable	None	None	Spin Collar



M-1115S-AU



M-1115S-MU



M-1115S-PO

M-150S-PO

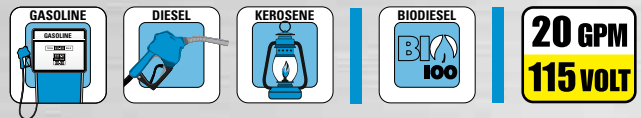
115 VOLT FUEL TRANSFER PUMPS



M-3120

20 GPM flowrate for stationary tank applications.

- Weight centering inlet base includes pressure relief and easy strainer access
- Field-replaceable switch and vanes
- Internal auxiliary temperature limiting device motor protection
- Cold weather (XTS) model available
- B100 model works with 100% Biodiesel
- B100 fuel requires a minimum operating temperature of 40° F



M-3120 SPECIFICATIONS

Flowrate (GPM / LPM)	20 / 76
Voltage	115-volt AC
Type	Carbon Vane
Duty Cycle (On / Off)	30 min. / 30 min.
Dispensing Hose	12 ft. (3.7 m)
Warranty	2 Year Pump

ORDERING INFORMATION

Model	Part No.	Nozzle	Nozzle Holder	Hose Length	Hose Fitting	Inlet Mount	Certifications
M-3120-AD	133200-33	Auto Diesel	Lockable	12 ft.	1 in. NPT	Center Base	cUL ^{US} LISTED
M-3120-AL	133200-2	Auto Leaded	Lockable	12 ft.	¾ in. NPT	Center Base	
M-3120-ML	133200-34	Manual Leaded	Lockable	12 ft.	1 in. NPT	Center Base	
M-3120-ML	133200-1	Manual Leaded	Lockable	12 ft.	¾ in. NPT	Center Base	
M-3120-PO	133200-07	None	Lockable	None	None	Center Base	
M-3120-PO-XTS	133200-97	None	Lockable	None	None	Center Base	cUL ^{US} LISTED MOTOR B100
M-3120-B100-AL	133200-06	Auto Leaded	Lockable	12 ft.	¾ in. NPT	Center Base	



M-3120-AD



M-3120-AL / M-3120-B100-AL

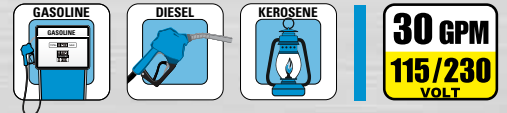


M-3120-ML



M-3120-PO / M-3120-PO-XTS

115 VOLT FUEL TRANSFER PUMPS



M-3130

30 GPM flowrate for stationary tank applications.

- Weight centering inlet base includes pressure relief and easy strainer access
- Field-replaceable switch and vanes
- Internal auxiliary temperature limiting device motor protection
- Cold weather (XTS) model available

SPECIFICATIONS

Flowrate (GPM / LPM)	30 / 114
Voltage	115- or 230-volt AC
Type	Carbon Vane
Duty Cycle (On / Off)	30 min. / 30 min.
Inlet / Outlet Size	1 ¼ in. / 1 in. NPT
Dispensing Hose	12 ft. (3.7m) x 1 in.
Warranty	2 Year Pump
Certifications	UL US LISTED

ORDERING INFORMATION

Model	Part No.	Voltage	Nozzle	Nozzle Holder	Hose	Inlet Mount
M-3130-AD	133220-2	115/230	Auto Diesel	Lockable	12 ft.	Center Base
M-3130-ML	133220-1	115/230	Manual	Lockable	12 ft.	Center Base
M-3130-PO	133220-03	115/230	None	Lockable	None	Center Base
M-3130-PO-XTS	133220-93	115/230	None	Lockable	None	Center Base



M-3130-AD



M-3130-ML



M-3130-PO / M-3130-PO-XTS

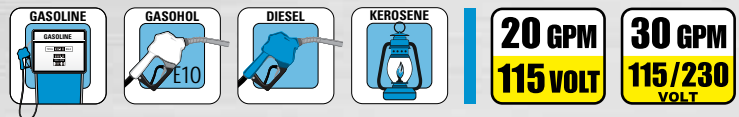
115 VOLT PUMP & METER COMBOS



M-3120 & M-3130 Combos

Designed for stationary tank applications where high flow and long life are desired.

- Factory assembled GPI Combos are available with the M-3120 or M-3130 pump and include the MR 5-30 meter. Meter is calibrated in gallons or litres.
- Internal auxiliary temperature limiting device motor protection
- Weight centering inlet base includes pressure relief and easy strainer access
- Field-replaceable switch and vanes
- Tank adapter included



SPECIFICATIONS	M-3120 / MR 5-30	M-3130 / MR 5-30
Flowrate (GPM / LPM)	20 / 76	30 / 114
Voltage	115-volt AC	115- or 230-volt AC
Type	Carbon Vane	Carbon Vane
Duty Cycle (On / Off)	30 min. / 30 min.	30 min. / 30 min.
Inlet / Outlet Size	1 in. / 1 in. NPT	1 ¼ in. / 1 in. NPT
Dispensing Hose	12 ft. (3.7 m) x ¾ in.	12 ft. (3.7 m) x 1 in.
Warranty	2 Year Pump	2 Year Pump
Certifications		

115 VOLT PUMP & METER COMBOS

M-3120 COMBO ORDERING INFORMATION

Model	Part No.	Nozzle	Meter Units	Hose
M-3120-AD / MR 5-30-G8N	133600-35	Auto Diesel	Gallon	18 ft. / 1 in.
M-3120-AL / MR 5-30-G6N	133600-59	Auto Leaded	Gallon	12 ft. / 3/4 in.
M-3120-ML / MR 5-30-G6N	133600-58	Manual	Gallon	12 ft. / 3/4 in.
M-3120-PO / MR 5-30-G8N	133600-60	None	Gallon	None
M-3120-AD / MR 5-30-L8N	133600-36	Auto Diesel	Litre	18 ft. / 1 in.
M-3120-AL / MR 5-30-L6N	133600-62	Auto Leaded	Litre	12 ft. / 3/4 in.
M-3120-ML / MR 5-30-L6N	133600-61	Manual	Litre	12 ft. / 3/4 in.
M-3120-PO / MR 5-30-L8N	133600-57	None	Litre	None



M-3120-AL COMBO



M-3120-ML COMBO



M-3120-PO COMBO

M-3130 COMBO ORDERING INFORMATION

Model	Part No.	Nozzle	Meter Units	Hose
M-3130-AD / MR 5-30-G8N	133601-58	Auto Diesel	Gallon	12 ft.
M-3130-ML / MR 5-30-G8N	133601-57	Manual	Gallon	12 ft.
M-3130-PO / MR 5-30-G8N	133601-59	None	Gallon	None
M-3130-AD / MR 5-30-L8N	133601-61	Auto Diesel	Litre	12 ft.
M-3130-ML / MR 5-30-L8N	133601-60	Manual	Litre	12 ft.
M-3130-PO / MR 5-30-L8N	133601-56	None	Litre	None



M-3130-AD COMBO

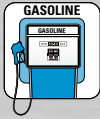


M-3130-ML COMBO



M-3130-PO COMBO

115 VOLT FUEL TRANSFER SYSTEMS



20 GPM
115 VOLT

30 GPM
115/230 VOLT

Remote Dispenser:

Assemble a system that will provide ground-level access to your meter and nozzle on above ground tanks...

In 4 easy steps.

Shown with M-3120-RDP pump and Vacuum Breaker Kit #13353302

Look for additional Hoses & Nozzles in the Accessories section of this catalog.

Shown with Optional Base

115 VOLT FUEL TRANSFER SYSTEMS

STEP 1

Choose the Remote Dispenser with either gallons or litres

Model	Part No.	Meter Units
MR 5-30-RD	143650-01	Gallon
MR 5-30-RD	143650-02	Litre
Includes: Dispenser, Nozzle Holder, Solenoid Valve and MR 5-30 Meter		



STEP 2

Purchase the 20 or 30 GPM pump that best meets your needs.

Model	Part No.
M-3120-RDP	133200-10
M-3130-RDP	133220-05

SPECIFICATIONS	M-3120-RDP	M-3130-RDP
Flowrate (GPM / LPM)	20 / 76	30 / 114
Voltage	115-volt AC	115- or 230-volt AC
Certifications	UL US LISTED Pump, Motor & Meter	UL US LISTED MOTOR and SP CERTIFIED MOTOR



STEP 3

Add the correct Vacuum Breaker Kit for your pump

Pump	Vacuum Breaker Kit
M-3120-RDP	13353302
M-3130-RDP	13353303



STEP 4

Finish your installation with the proper accessories

Accessory	Part No.
MOUNTING SHELF KIT	143500-07
CABINET BASE	133511-02
1 IN. AUTO DIESEL NOZZLE	906008-570
3/4 IN. AUTOMATIC UNLEADED NOZZLE	110121-8
1 IN. X 12 FT. HOSE	110529-02
1 IN. X 14 FT. HOSE	110529-03
1 IN. X 20 FT. HOSE	133262-05

See Accessories section for other hoses available.



115 VOLT FUEL TRANSFER SYSTEMS



Cabinet Model

(Pump included in cabinet.)

For fleet operations, golf courses and equipment yards.

- Choose a 115-volt or 230-volt pump. Both deliver up to 20 GPM (76 LPM)
- Includes MR 5-30 mechanical meter with twist knob reset and large readout
- Includes tank adapter for easy installation
- Nozzle holder and hanger accommodates most diesel nozzles (manual, automatic and vapor recovery)
- Hose and nozzle sold separately
- Powder-coated exterior improves corrosion resistance
- Performs well in salt-spray environments.
- Accessories come with stainless steel hardware



CABINET MODEL SPECIFICATIONS

Flowrate (GPM / LPM)	20 / 76
Voltage	115-volt AC or 230-volt AC
Type	Carbon Vane
Duty Cycle (On / Off)	30 min. / 30 min.
Inlet / Outlet Size	1 in. / 1 in. NPT
Inlet Mount	2 in. NPT
Warranty	2 Year Pump
Certifications	UL US LISTED Pump, Meter & Meter

PUMP ORDERING INFORMATION

Model	Part No.	Units	Voltage
CM-3120 115V / MR 5-30-G8N	143620-01	Gallon	115
CM-3120 115V / MR 5-30-L8N	143620-02	Litre	115
CM-3220 230V / MR 5-30-G8N	143620-04	Gallon	230
CM-3220 230V / MR 5-30-L8N	143620-05	Litre	230



Pedestal Kit
(133170-01)



Free Standing Cabinet
Base (133511-02)

AVIATION SPECIALTY PUMPS



15 GPM
12 VOLT

25 GPM
12 VOLT

20 GPM
115 VOLT

30 GPM
115/230 VOLT

AVIATION PUMP SPECIFICATIONS

Warranty	2 Year Pump
Certifications	

AVIATION PUMP ORDERING INFORMATION

Pump	Part No.	Voltage	GPM / LPM
M-150S-AV-PO	110000-200	12-Volt	15 / 57
M-3025-CB-AV-PO	133240-200	12-Volt	25 / 95
M-3120-AV-PO	133600-200	115-Volt	20 / 76
M-3130-AV-PO	133601-200	115/230-Volt	30 / 114

METER ORDERING INFORMATION

Meter	Part No.	Units
MR 5-30-G8N, Aviation	126300-201	Gallon
MR 5-30-L8N, Aviation	126300-202	Litre

AVIATION COMBO ORDERING INFORMATION

Pump / Meter	Part No.	Units
M-3025CB-AV-PO / MR 5-30-G8N	133240-201	Gallon
M-3025CB-AV-PO / MR 5-30-L8N	133240-202	Litre
M-3120-AV-PO / MR 5-30-G8N	133600-201	Gallon
M-3130-AV-PO / MR 5-30-G8N	133601-201	Gallon
M-3130-AV-PO / MR 5-30-L8N	133601-202	Litre

Aviation Models

Aviation Pumps & Meters are only intended to be ground-based or vehicle mounted. Do not use or mount in or on the aircraft.

For use with: Aviation gasoline (AVGAS 100LL) and kerosene grade (JET A). User should consult NFPA 407 Standard for Aircraft Fuel Servicing for safety requirements during ground fuel servicing of aircraft using liquid petroleum fuels. This product has no actual or implied compliance with this standard.

METHANOL TRANSFER PUMPS



EZ-8 Methanol

- Designed for use with methanol and ethanol
- Lightweight design is easy to move between barrels and tanks



M-150S Methanol

- Designed for use with methanol and ethanol
- Compact design for mobile tank applications



M-1115S Methanol

- Designed for use with methanol and ethanol
- Ideal for stationary applications



EZ-8 METHANOL SPECS

Flowrate (GPM / LPM)	8 / 30
Voltage	12-volt DC
Type	Gear
Duty Cycle (On / Off)	15 min. / 30 min.
Inlet / Outlet Size	3/4 in. / 3/4 in. NPT
Inlet Mount	Spin Collar
Housing	Nickel Plated
Warranty	2 Year Pump
Certifications	

M-150S -METHANOL SPECS

Flowrate (GPM / LPM)	15 / 57
Voltage	12-volt DC
Type	Gear
Duty Cycle (On / Off)	30 min. / 30 min.
Inlet / Outlet Size	1 in. / 3/4 in. NPT
Inlet Mount	Spin Collar
Housing	Nickel Plated
Warranty	2 Year Pump
Certifications	

M-1115S -METHANOL SPECS

Flowrate (GPM / LPM)	12 / 45
Voltage	115-volt AC
Type	Gear
Duty Cycle (On / Off)	30 min. / 30 min.
Inlet / Outlet Size	1 in. / 3/4 in. NPT
Inlet Mount	Spin Collar
Housing	Nickel Plated
Warranty	2 Year Pump
Certifications	

ORDERING INFORMATION

Model	Part No.
EZ-8-METHANOL	137700-01

ORDERING INFORMATION

Model	Part No.
M-150S-METHANOL-PO	110700-01

ORDERING INFORMATION

Model	Part No.
M-1115S-METHANOL-PO	110700-04



EZ-8-METHANOL



M-150S-METHANOL



M-1115S-METHANOL

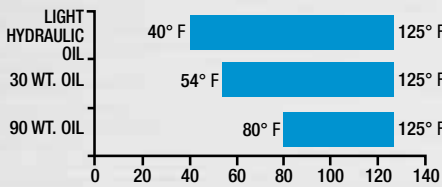


OIL TRANSFER PUMPS



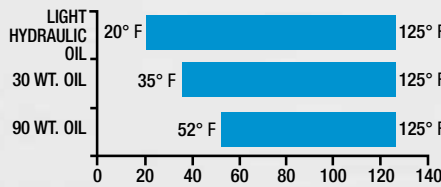
L5016

OPERATING TEMPERATURE RANGE



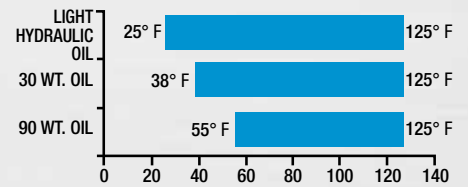
L5116

OPERATING TEMPERATURE RANGE



L5132

OPERATING TEMPERATURE RANGE



Heavy-Duty Oil Pumps



- Specifically designed for use with high viscosity fluids.
- Consider the viscosity of the fluid and temperature range when choosing the oil pump for your application
- **For use with:** Oil (up to 90W), hydraulic fluid, anti-freeze and non-flammable oil-based solvents. **Do not use with gasoline or diesel fuel.**

ORDERING INFORMATION				
Model	Part No.	Flowrate	Voltage	Power Cord
L5016	142100-03	16 QPM / 15 LPM	12V DC	None
L5116	142100-01	16 QPM / 15 LPM	115/230V AC	3 ft. (.91m)
L5132	142100-02	32 QPM / 30 LPM	115/230V AC	3 ft. (.91m)

SPECIFICATIONS	
Type	Gerotor
Nozzle	3/4 in. Ball Valve
Duty Cycle (On / Off)	30 min. / 30 min.
Inlet / Outlet Size	1 in. / 3/4 in. NPT
Inlet Mount	Center Base
Dispensing Hose	8 ft. (2.5 m) x 3/4 in.
Suction Pipe	Telescoping 15 in. to 40 in.
Housing	Aluminum
Warranty	1 Year Pump
Certifications	



L5016



L5116



L5132

OIL TRANSFER PUMPS



P-200-2UR



PA-200-2UR

Lightweight Oil Pumps

- Designed specifically for use with thin to medium viscosity petroleum fluids and up to 30W oil.
- Lightweight design is easy to move between barrels or drums.
- **For use with:** Non-flammable oil-based solvents. **Do not use with gasoline, diesel fuel or waste oil.**



SPECIFICATIONS

Flowrate	8 GPM / 30 LPM
Type	Gear
Nozzle	1 in. Ball Valve
Duty Cycle (On / Off)	30 min. / 30 min.
Inlet / Outlet Size	1 in. / 1 in. NPT
Inlet Mount	Spin Collar
Dispensing Hose	12 ft. (3.7 m) x 1 in.
Suction Pipe	Telescoping 15 in. to 40 in.
Housing	Polypropylene
Warranty	2 Year Pump
Certifications	

ORDERING INFORMATION

Model	Part No.	Voltage	Power Cord
P-200-2UR	118000-9	12V DC	15 ft. (4.6 m) of 10/3
PA-200-2UR	118003-11	115V AC	3 ft. (.91m)



P-200-2UR



PA-200-2UR

CHEMICAL TRANSFER PUMPS

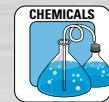


P-200H-2UR



Tote-A-Pump Assembly

12-Volt Chemical Pumps



Recommended Use:

- **P-200H-2UR:** Medium/Thick Chemicals (10 to 450 centipoise viscosity). **Do not use with gasoline, diesel fuel or micro-encapsulated chemicals.**
- **P-120H-2UR:** Thin Chemicals (0 to 10 centipoise viscosity). **Do not use with gasoline, diesel fuel or micro-encapsulated chemicals.**

ORDERING INFORMATION

Model	Part No.	Flowrate	Power Cord	Includes
P-200H-2UR	118000-2	8 / 30	15 ft.	2-in. Union Ring*
P-200H-TAP	118602-10	8 / 30	15 ft.	Tote-a-Pump Assembly *
P-120H-2UR	118000-1	12 / 45	20 ft.	2-in. Union Ring *

SPECIFICATIONS

Flowrate (GPM / LPM)	8 / 30 OR 12 / 45
Voltage	12-volt DC
Type	Gear
Nozzle	Sold Separately*
Duty Cycle (On / Off)	30 min. / 30 min.
Power Cord	20 ft. (6.1 m) OR 15 ft. (4.6 m)
Inlet / Outlet Size	1 in. / 1 in. NPT
Inlet Mount	Direct Mount
Dispensing Hose	Sold separately*
Suction Pipe	Sold separately*
Housing	Plastic
Warranty	2 Year Pump
Certifications	SP

* Herbicide Kit #111502-2 sold separately. Kit includes hose, pipe and nozzle (See Accessories).



P-200H-2UR



P-200H-TAP Tote-a-Pump



P-120H-2UR

CHEMICAL TRANSFER PUMPS



PA-200H-2UR



Tote-A-Pump Assembly

115-Volt Chemical Pumps



Recommended Use:

- **PA-200H-2UR:** Medium/Thick Chemicals (10 to 450 centipoise viscosity). **Do not use with gasoline, diesel fuel or micro-encapsulated chemicals.**
- **PA-120H-2UR:** Thin Chemicals (0 to 10 centipoise viscosity). **Do not use with gasoline, diesel fuel or micro-encapsulated chemicals.**

ORDERING INFORMATION

Model	Part No.	Flowrate	Includes
PA-200H-2UR	118003-2	8 / 30	2-in. Union Ring*
PA-200H-TAP	118602-12	8 / 30	Tote-a-Pump Assembly *
PA-120H-2UR	118003-1	12 / 45	2-in. Union Ring *

*Herbicide Kit #111502-2 sold separately. Kit includes hose, pipe and nozzle (See Accessories).

SPECIFICATIONS

Flowrate (GPM / LPM)	8 / 30 OR 12 / 45
Voltage	115-volt AC
Type	Gear
Nozzle	Sold Separately*
Duty Cycle (On / Off)	30 min. / 30 min.
Power Cord	3-Prong Grounded Plug
Inlet / Outlet Size	1 in. / 1 in. NPT
Dispensing Hose	Sold separately*
Suction Pipe	Sold separately*
Housing	Plastic
Warranty	2 Year Pump
Certifications	



PA-200H-2UR



PA-200H-TAP



HP-100

- Lever action piston pump with lockable handle
- Dual-flo® handle provides high volume and low volume settings.
- Pumps fluid on both the push and pull strokes for fast delivery.
- Built-in anti-siphon valve
- **For use with:** Gasoline, diesel fuel, kerosene, medium oil (up to 30W) and hydraulic fluid

HP-100 SPECIFICATIONS

Flowrate (GPM / LPM)	Up to 50 Gal/189 Litres per 100 Strokes
Type	Piston
Nozzle	Thermoplastic or Metal
Inlet / Outlet Size	1 in. / ¼ in. NPT
Tank Fitting	2 in. NPT
Dispensing Hose	8 ft. (2.5 m) x ¼ in.
Suction Pipe	Telescoping 15 in. to 40 in.
Warranty	2 Year Pump

ORDERING INFORMATION

Model	Part No.	Nozzle	Certifications
HP-100-NUL	114000-5	Thermoplastic	–
HP-100-UL	114000-10	Metal	UL LISTED Hose and Nozzle



HP-100-NUL



HP-100-UL

HAND PUMPS

HP-90

- Lever action piston pump
- Pumps fluid on both the push and pull strokes for fast delivery
- Built-in anti-siphon valve
- **For use with:** Gasoline, diesel fuel and kerosene. Light oil (up to 10W) and hydraulic fluid



DP-20

- Lever action diaphragm pump with lockable handle
- Can be used for dirty or contaminated fluids
- **For use with:** Gasoline, diesel fuel, kerosene, medium oil (up to 30W) and hydraulic fluid



HP-90 SPECIFICATIONS

Flowrate (GPM / LPM)	25 / 95 per 100 Strokes
Type	Piston
Nozzle	Thermoplastic
Inlet / Outlet Size	1 in. / 3/4 in. NPT
Tank Fitting	2 in. NPT
Dispensing Hose	8 ft. (2.5 m) x 3/4 in.
Suction Pipe	Telescoping 15 in. to 40 in.
Warranty	2 Year Pump

DP-20 SPECIFICATIONS

Flowrate (GPM / LPM)	20 / 76 per 100 Strokes
Type	Diaphragm
Nozzle	Thermoplastic
Inlet / Outlet Size	1 in. / 3/4 in. NPT
Tank Fitting	2 in. NPT
Dispensing Hose	8 ft. (2.5 m) x 3/4 in.
Suction Pipe	Telescoping 15 in. to 40 in.
Warranty	2 Year Pump


ORDERING INFORMATION

Model	Part No.	Nozzle
HP-90	131000-1	Thermoplastic



HP-90

ORDERING INFORMATION

Model	Part No.	Hose	Certifications
DP-20	138000-01	Buna-N®	—
DP-20-UL	138000-02	U.L. Listed	



DP-20 / DP-20-UL

HAND PUMPS



RP-10

- Rotary action pump with lockable handle for security
- Built-in anti-siphon valve
- **For use with:** Gasoline, diesel fuel, kerosene, medium oil (up to 30W) and hydraulic fluid

RP-10 SPECIFICATIONS

Flowrate (GPM / LPM)	10 / 38 per 100 Revolutions
Type	Rotary
Nozzle	Metal
Inlet / Outlet Size	1 in. / 3/4 in. NPT
Tank Fitting	2 in. NPT
Dispensing Hose	8 ft. (2.5 m) x 3/4 in. with Static Wire
Suction Pipe	Telescoping 15 in. to 40 in.
Warranty	2 Year Pump
Certifications	

ORDERING INFORMATION

Model	Part No.
RP-10-UL	123000-06



RP-10



RP-5

- Basic, rotary action pump
- **For use with:** Petroleum based fluids having a flash point above 100° F. Diesel fuel and kerosene. Light oil (up to 10W) and hydraulic fluid. **Do not use with gasoline.**

RP-5 SPECIFICATIONS

Flowrate (GPM / LPM)	8 / 30 per 90 Revolutions
Type	Rotary
Nozzle	Spout
Inlet / Outlet Size	N/A
Tank Fitting	2 in. NPT
Dispensing Hose	N/A
Suction Pipe	Three-Piece Metal
Warranty	90 Days

ORDERING INFORMATION

Model	Part No.
RP-5	129003-1



RP-5



LP-50

- Lever action pump
- Works with drums up to 36 in.
- **For use with:** Water, Antifreeze, Petroleum Based Products, Mild Detergents, Lubricants and most Ag Chemicals. **Not for use with kerosene, Diesel Fuel, Roundup® Concentrate or Flammable Fluids.**

LP-50 SPECIFICATIONS

Flowrate	Up to 1 Pint per Stroke
Type	Piston
Nozzle	Spout
Inlet / Outlet Size	3/4 in. x 1 in. Hose Barb
Tank Fitting	2 in. NPT
Dispensing Hose	N/A
Suction Pipe	Telescoping to 36 in.
Warranty	90 Days

ORDERING INFORMATION

Model	Part No.
LP-50	129000-1



LP-50

HAND PUMPS



BP-12

- Lever action piston pump
- Convenient lever handle on a barrel pump
- **For use with:** Lightweight petroleum products, oils, anti-freeze and kerosene.



CP-5

- Plunger action piston pump
- Very portable and requires no special tools to install. Slips into a five gallon pail.
- **For use with:** Hydraulic fluids, transmission fluids or motor oils



BP-10

- Basic plunger action pump
- Removable spout for garden hose attachment
- **For use with:** Petroleum products such as light oil (up to 10W), transmission fluid and hydraulic fluid.

BP-12 SPECIFICATIONS

Flowrate (GPM / LPM)	Up to 1 Pint per Stroke
Type	Piston
Nozzle	Spout
Inlet / Outlet Size	N/A
Tank Fitting	2 in. NPT
Dispensing Hose	N/A
Suction Pipe	Telescoping to 36 in.
Warranty	90 Days

CP-5 SPECIFICATIONS

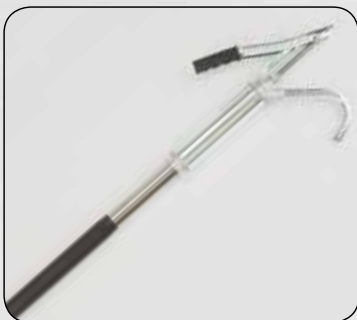
Flowrate (GPM / LPM)	Up to 8 Ounces per Stroke
Type	Piston
Nozzle	Clear tubing
Inlet / Outlet Size	N/A
Tank Fitting	N/A
Dispensing Hose	N/A
Suction Pipe	N/A
Warranty	90 Days

BP-10 SPECIFICATIONS

Flowrate (GPM / LPM)	Up to 1.5 Pints per Stroke
Type	Piston
Nozzle	Spout
Inlet / Outlet Size	N/A
Tank Fitting	2 in. NPT
Dispensing Hose	N/A
Suction Pipe	Telescoping to 36 in.
Warranty	90 Days

ORDERING INFORMATION

Model	Part No.
BP-12	129010-1



BP-12

ORDERING INFORMATION

Model	Part No.
CP-5	129002-1
CP-5 (20-PACK)	129002-1M20



CP-5

ORDERING INFORMATION

Model	Part No.
BP-10	129020-1



BP-10

MECHANICAL FUEL METERS

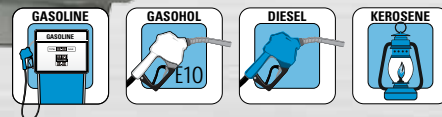
EXTREME ACCURACY

Within +/- 1/2% across a flow range from 2 to 40 GPM.



QM240 & QM150

- Rotatable register for desired flow direction
- Batch and cumulative display
- Compatible with Pulser Kit #126517-05 (sold separately)

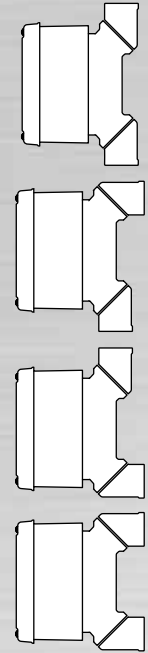


SPECIFICATIONS	QM240	QM150
Unit of Measure	U.S. Gallons	Litre
Flow Range	2 to 40 GPM	8 to 150 LPM
Accuracy: Diesel	± 1/2% (2 to 40 GPM)	± 1/2% (8 to 150 LPM)
	± 1/4% (15 to 35 GPM)	± 1/4% (57 to 132 LPM)
Accuracy: Unleaded	± 1/2% (2 to 23 GPM w/o kit, 23 to 40 GPM w/kit*)	± 1/2% (8 to 150 LPM w/o kit, 87 to 151 LPM w/kit*)
	± 1/4% (2 to 20 GPM w/o kit, 27 to 40 GPM w/kit*)	± 1/4% (8 to 75 LPM w/o kit, 120 to 151 LPM w/kit*)
Operating Temperature	-40° to 125° F / -40° to 52° C (-20° to 125° F UL)	
Maximum Working Pressure	50 PSIG / 3.4 Bar	

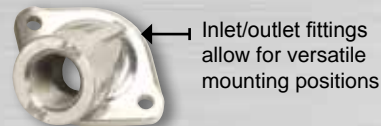
ORDERING INFORMATION				
Model	Part No.	Units	Thread	Certifications
QM240N10	139121-06	Gallons	1 in. NPT	
QM150N10	139121-07	Litres	1 in. NPT	

	Gallon Models	Litre Models
Model Designation	QM240N	QM150N
Wetted Materials:		
Housing / Cover / Fittings	Aluminum	
Rotors	PPS (Polyphenylene Sulfide)	
Shafts / Strainer	Stainless Steel	
Seals	NBR (Nitrile Butadiene Rubber)	
Mag-Drive	Acetal, Stainless Steel and Neodymium (Nickel Plated)	
Inlet / Outlet Ports	1" NPT (female)	1" NPT (female)
Pressure Drop (PSI)	0 @ 5 GPM / 19 LPM 2.0 @ 20 GPM / 75 LPM (3.0 Diesel) 4.5 @ 40 GPM / 150 LPM (7.0 Diesel)	
Maximum Batch Total	999.9	999
Maximum Cumulative Total	9,999,999.9	99,999,999
Technology	Positive Displacement Oval Gear	
Warranty	4 Year	
Certifications	UL 25	

MECHANICAL FUEL METERS

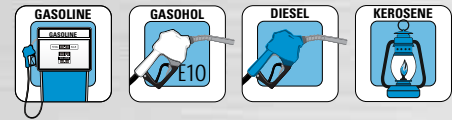


Side View: Rotate fittings for desired mounting



MR 5-30

- Versatile mounting positions with included inlet/outlet fittings
- Rotatable register for desired flow direction
- Batch and cumulative display
- Compatible with Pulser Kit #126517-05 (sold separately)



ORDERING INFORMATION				
Model	Part No.	Units	Thread	Certifications
MR 5-30-G6N	126300-01	Gallons	3/4 in. NPT	UL LISTED
MR 5-30-L6N	126300-02	Litres	3/4 in. NPT	
MR 5-30-L6B	126300-07	Litres	3/4 in. BSPP	-
MR 5-30-G8N	126300-03	Gallons	1 in. NPT	UL LISTED
MR 5-30-L8N	126300-04	Litres	1 in. NPT	
MR 5-30-L8B	126300-08	Litres	1 in. BSPP	-
MR 5-30-G12N	126300-05	Gallons	1-1/2 in. NPT	UL LISTED
MR 5-30-L12N	126300-06	Litres	1-1/2 in. NPT	
MR 5-30-L12B	126300-09	Litres	1-1/2 in. BSPP	

MR 5-30 SPECIFICATIONS

Construction Type	Aluminum - Nutating Disc
Flow Range (GPM / LPM)	5 to 30 / 19 to 114
Accuracy	+/- 2% of reading
Pressure Rating	50 PSI (3.4 bar)
Field Calibration	Yes
Warranty	2 Year



MR 5-30

MECHANICAL FUEL METERS



FM-100 & FM-200

- Factory calibrated
- The FM100 has a built-in filter that protects equipment being fueled
- **For use with:** gasoline, gasohol, diesel fuel and kerosene. **Do not use with water or chemicals.**



FM-100 & FM-200 SPECIFICATIONS

Construction	Aluminum
Type	Mechanical Nutating Disc
Flow Range (GPM / LPM)	4 to 20 / 15 to 76
Accuracy	+/- 2% of reading
Pressure Rating	50 PSI (3.4 bar)
Field Calibration	Yes
Display	Max. Batch total: 4-digits Cumulative total: 5-digits (gallons) / 6-digits (liters)
Warranty	2 Year

FM-100 ORDERING INFORMATION

Model	Part No.	Units	Thread	Certifications
FM-100-G6N	111200-18	Gallons	¾ in. NPT	UL LISTED
FM-100-L6N	111200-19	Litres	¾ in. NPT	
FM-100-L6B	111200-22	Litres	¾ in. BSPP	-
FM-100-G8N	111200-1	Gallons	1 in. NPT	UL LISTED
FM-100-L8N	111200-10	Litres	1 in. NPT	
FM-100-L8B	111200-12	Litres	1 in. BSPP	-

FM-200 ORDERING INFORMATION

Model	Part No.	Units	Thread	Certifications
FM-200-G6N	111200-20	Gallons	¾ in. NPT	UL LISTED
FM-200-L6N	111200-21	Litres	¾ in. NPT	
FM-200-L6B	111200-23	Litres	¾ in. BSPP	-
FM-200-G8N	111200-4	Gallons	1 in. NPT	UL LISTED
FM-200-L8N	111200-13	Litres	1 in. NPT	
FM-200-L8B	111200-15	Litres	1 in. BSPP	-



FM-100

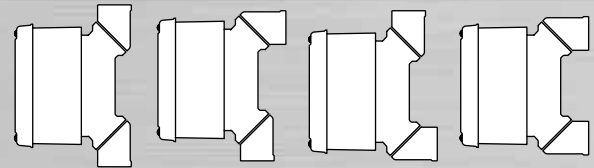


FM-200

DIGITAL FUEL METERS



Rotatable register for desired flow direction



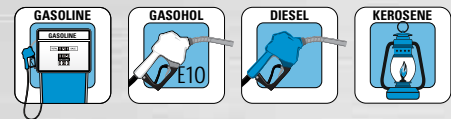
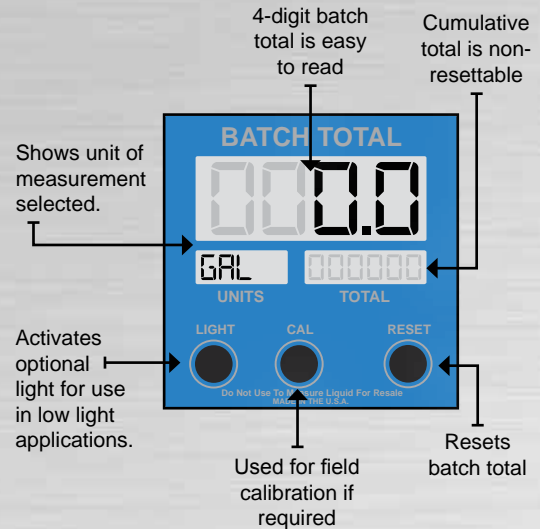
Side View: Rotate fittings for desired mounting

Inlet/outlet fittings allow for versatile mounting positions



DR 5-30

- Preprogrammed for seven different units of measure: Barrels (42 g), Imperial Gallons, Litres, Ounces, Pints, Quarts and US Gallons
- Front panel access to batch reset and field calibration
- Provides an open collector signal to customer supplied remote device
- Contact GPI® for special order units: Cubic Centimeters, Cubic Feet and Cubic Meters
- **For use with:** Gasoline, diesel fuel and kerosene. **Do not use with water or chemicals.**



ORDERING INFORMATION

Model	Part No.	Thread
DR 5-30-6N	126300-11	¾ in. NPT
DR 5-30-6B	126300-14	¾ in. BSPP
DR 5-30-8N	126300-12	1 in. NPT
DR 5-30-8B	126300-15	1 in. BSPP
DR 5-30-12N	126300-13	1-½ in. NPT
DR 5-30-12B	126300-16	1-½ in. BSPP



DR 5-30

DR 5-30 SPECIFICATIONS

Construction	Aluminum
Type	Nutating Disc
Flow Range (GPM / LPM)	5 to 30 / 19 to 114
Powered By	Four AA Energizer® Lithium Batteries
Accuracy	+/- 2.00% Factory Calibration +/- 1.00% Field Calibration
Pressure Rating	50 PSI (3.4 bar)
Field Calibration	Yes
Certifications	U.L. 913: Intrinsically Safe for Class I, Division 1, Group D U.L. 25: Meters for Flammable and Combustible Liquids (NPT only. Does not apply to BSPP thread.)
Warranty	2 Year

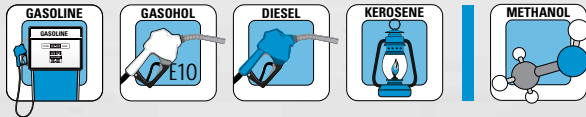
DIGITAL FUEL METERS



“Look for the red label!”

01A Series

- Compact and lightweight at just 12 oz.
- Mount directly to the nozzle for easy reading
- Includes ¾ in. reducer fitting and ¾ x 1-½ in. pipe fitting
- Methanol model (01A31GMME) available



01A SPECIFICATIONS

Construction	Aluminum
Type	Turbine
Flow Range (GPM / LPM)	3 to 30 / 10 to 100
Powered By	Two alkaline AAA batteries
Accuracy	+/- 5.0% of reading
Pressure Rating	300 PSI
Field Calibration	No
Display	4-digit LCD
Certifications	FM Approved to U.S. and Canadian Standards as Intrinsically Safe for Class I, Division 1 Groups D.
Warranty	2 Year

ORDERING INFORMATION

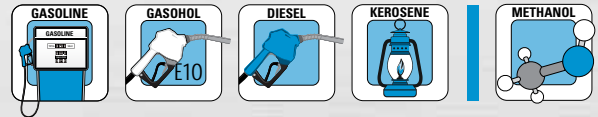
Model	Part No.	Units	Thread
01A31GM	113255-1	Gallons	1 in. NPT
01A31LM	113255-2	Litres	1 in. NPT
01A12LM	113255-3	Litres	1 in. ISO
01A52LM	113255-12	Litres	1 in. BSPP
01A31GMME	113700-02	Gallons	1 in. NPT



“Look for the silver label!”

03A Series

- Compact and lightweight at just 12 oz.
- Mount directly to the nozzle for easy reading
- **For use with:** Gasoline, diesel fuel and kerosene. **Do not use with water or chemicals.**
- Methanol model (03A31GMME) available



03A SPECIFICATIONS

Construction	Aluminum
Type	Turbine
Powered By	Two lithium batteries
Accuracy	+/- 1.5% of reading
Pressure Rating	300 PSI
Field Calibration	Yes
Display	Max. Batch Total is 6-digits
Units	Gallons and Litres
Certifications	FM Approved as Intrinsically Safe for Class I, Division 1 Groups A thru G. U.L. classified to Canadian Standards. ATEX-ANNEX VIII. CE.
Warranty	1 Year

ORDERING INFORMATION

Model	Part No.	Flow Range	Thread
03A30GM	113900-9500	0.3-3 GPM / 1-11 LPM	1 in. NPT
03A31GM	113900-9501	3-50 GPM / 11-190 LPM	1 in. NPT
03A32GM	113900-9502	30-300 GPM / 114-1,135 LPM	2 in. NPT
03A31GMME	113700-01	3-50 GPM / 11-190 LPM	1 in. NPT

OIL METERS



LM51DN

- Gallons, litres, pints or quarts display.
- Designed with oval rotors for optimum accuracy
- **For use with:** Engine oils, transmission fluid (maximum viscosity SAE 140) or antifreeze. **Do not use with excessively dirty fluids or fluids with particles without installing a filter.**



LM50 SPECIFICATIONS

Construction	Aluminum
Type	Oval Gear
Flow Range (GPM / LPM)	0.26 to 7.8 / 1 to 30 @ 5-1,000 cps
Powered by	Lithium Battery
Accuracy	+/- 0.5% of reading
Pressure Rating	1500 PSI
Thread Size	1/2 in. NPT
Field Calibration	No
Display	6-digit
Units	Gallon / Litre
Warranty	1 Year

ORDERING INFORMATION

Model	Part No.
LM51DN	LM51DN



LM-200

- **Displays batch and cumulative totals in quarts**
- **For use with:** Hydraulic fluid and up to 30W oil. **Do not use with flammable fluids.**



LM-200 SPECIFICATIONS

Construction	Aluminum
Type	Mechanical, Nutating Disc
Flow Range (QPM / LPM)	16 to 80 / 15 to 76
Accuracy	+/- 2% of reading
Pressure Rating	50 PSI
Field Calibration	Yes
Display	4-digit
Units	Quarts
Warranty	1 Year

ORDERING INFORMATION

Model	Part No.	Inlet/Outlet
LM-200-Q6N	111316-04	3/4 in. NPT
LM-200-Q8N	111316-01	1 in. NPT



LM-300

- **For use with:** Motor oil, gear oil, hydraulic oil, antifreeze, ATF and waste oil. **Do not use with flammable fluids or antifreeze that exceeds 50% water.**



LM-300 SPECIFICATIONS

Construction	PBT Polyester
Type	Nutating Disc
Flow Range (QPM / LPM)	8 to 80 / 7.5 to 76
Inlet/Outlet	1 in. NPT (3/4 in. bushings included)
Powered By	One alkaline 9 Volt battery
Accuracy	+/- 2% of reading
Pressure Rating	50 PSI
Field Calibration	Yes
Display	6-digit
Units	Gallons, Quarts, Litres & Ounces
Warranty	1 Year

ORDERING INFORMATION

Model	Part No.
LM-300-Q6N	120000-28

FM-100H



- Keeps both Batch and Cumulative totals.
- **For use with:** Most herbicides and other chemicals compatible with meter materials. **Do not use with water.**



FM-100H SPECIFICATIONS

Construction	Aluminum
Type	Mechanical Nutating Disc
Flow Range (GPM / LPM)	4 to 20 / 15 to 76
Accuracy	Factory: +/- 2% of reading Field: +/- 1% of reading
Pressure Rating	50 PSI (3.4 bar)
Field Calibration	Yes
Display	4-digits
Warranty	2 Year

ORDERING INFORMATION

Model	Part No.	Units	Threads
FM-100H-G8N	111200-7	Gallons	1 in. NPT
FM-100H-L8N	111200-16	Litres	1 in. NPT
FM-100H-L8B	111200-17	Litres	1 in. BSPP

FM-300H



- Electronic display keeps Batch & Cumulative totals. Mounts easily on hose end, pump or fluid transfer system.
- **For use with:** Fertilizers, oil, pesticides and water. **Do not use with gasoline, diesel or flammable liquids.**



FM-300H SPECIFICATIONS

Construction Type	PBT Polyester Nutating Disc
Flow Range (GPM / LPM)	2 to 20 / 7 to 76
Thread Size	1 in. NPT
Powered By	One alkaline 9 Volt battery
Accuracy	Factory: +/- 2% of reading Field: +/- 0.5% of reading
Pressure Rating	50 PSI (3.4 bar)
Field Calibration	Yes
Display	Maximum value is 999,999 (x 100)
Warranty	2 Year

ORDERING INFORMATION

Model	Part No.	Units
FM-300H-G8N	120000-1	Gallons / Litres
FM-300H-L8N	120000-2 (Canada)	Litres / Imperial Gallons

Diesel Exhaust Fluid FM-300U & 01N31GM-U



FM-300U

01N31GM-U



SPECIFICATIONS

	FM-300U	01N31GM-U
Ordering Information	120000-32 / Gallons / Litres	113255-24 / Gallons 113255-25 / Litres
Construction Type	PBT Polyester - Electronic Disc	Nylon - Digital Turbine
Flow Range (GPM / LPM)	2-20 / 7-76	3-30 / 10-100
Thread Size	1 in. NPT	1 in. NPT
Powered By	One alkaline 9 Volt battery	Two alkaline AAA batteries
Accuracy	+/- 2% of reading	+/- 5.0% of reading
Pressure Rating	50 PSI	150 PSI
Field Calibration	Yes	No
Display	6-digit LCD	4-digit LCD
Warranty	2 Year	1 Year

WATER METERS



TM Series

- Sturdy construction with easy access to internal parts.
- Specify either Spigot or NPT model. Flange available on 3 and 4 in. models only.
- **For use with:** Water or mild chemicals

"Look for the blue label!"



TM SPECIFICATIONS

Construction	Schd. 80 PVC
Type	Turbine
Powered By	Two lithium batteries
Accuracy	+/- 3.0% of reading
Pressure Rating	225 PSI
Field Calibration	Yes
Display	6-digit LCD
Units	Gallon / Litre
Warranty	1 Year
Certifications	CE

TM ORDERING INFORMATION

Part Number - Spigot	TM050	TM075	TM100	TM150	TM200	TM300	TM400
Part Number - NPT	TM050-N	TM075-N	TM100-N	TM150-N	TM200-N	TM300-N	TM400-N
Part Number - Flanged	-	-	-	-	-	TM300-F	TM400-F
Size	½ in.	¾ in.	1 in.	1-½ in.	2 in.	3 in.	4 in.
Flow Range (GPM)	1-10	2-20	5-50	10-100	20-200	40-400	60-600

TM Series with Display and Pulse Output

- Includes pulse output cable for interacting with customer equipment.
- Indicates Batch, Cumulative Totals and Rate of Flow.
- Specify either Spigot or NPT model.
- **For use with:** Water or mild chemicals



TM W/DISPLAY & PULSE OUTPUT SPECIFICATIONS

Construction	Schedule 80 PVC
Type	Turbine
Powered By	Two lithium batteries
Accuracy	+/- 3.0% of reading
Pressure Rating	225 PSI
Field Calibration	Yes
Display	6-digit LCD
Units	Gallon / Litre
Warranty	1 Year
Certifications	CE

TM W/DISPLAY & PULSE OUTPUT ORDERING INFORMATION

Part Number - Spigot	TM050-LP	TM075-LP	TM100-LP	TM150-LP	TM200-LP
Part Number - NPT	TM050-N-LP	TM075-N-LP	TM100-N-LP	TM150-N-LP	TM200-N-LP
Size	½ in.	¾ in.	1 in.	1-½ in.	2 in.
Flow Range (GPM)	1-10	2-20	5-50	10-100	20-200

01N & 03N

- Compact and lightweight at just 12 oz.
- Mount directly to the nozzle for easy reading
- 03N: Provides both Batch (single use) and Cumulative totals.
- **01N: For use with:** Water
- **03N: For use with:** Water or mild chemicals



01N AND 03N ORDERING INFORMATION

Model	Part No.	Thread	Units
01N31GM	113255-4	1" NPT	Gallons
01N31LM	113255-5	1" NPT	Litres
01N12LM	113255-6	1" ISO (female)	Litres
03N30GM	113900-9510	1" NPT	Gallons/Litres
03N31GM	113900-9511	1" NPT	Gallons/Litres

SPECIFICATIONS	01N	03N30	03N31
Construction	Nylon		
Type	Electronic Digital		
Flow Range (GPM / LPM)	3 to 30 / 10 to 100	0.3 to 3 / 1 to 11	3 to 50 / 11 to 190
Powered By	Two alkaline AAA batteries	Two lithium batteries	Two lithium batteries
Accuracy	± 5% of reading	± 5% of reading	± 1.5% of reading
Pressure Rating	150 PSI		
Field Calibration	No	Yes	Yes
Display	4-digit LCD	6-digit LCD	6-digit LCD
Certifications	CE	CE, FM, U.L. Classified to Canadian Stds. & ATEX ANNEX VIII	
Warranty	1 Year		

02N & 02A

- Two Totals: Batch and Cumulative
- Lightweight, compact design allows for easy installation
- Remote monitor option to connect to an external system (NPN Open Collector Pulse)
- Virtually maintenance free
- **02N: For use with water**



02A / 02N ORDERING INFORMATION

Model	Part No.	Thread	Units
02A12LM	113355-01	1" BSPT	Litres
02A31GM	113355-05	1" NPT	Gallons
02A31LM	113355-06	1" NPT	Litres
02A52LM	113355-07	1" BSPP	Litres
02N12LM	113355-04	1" BSPT	Litres
02N31GM	113355-02	1" NPT	Gallons
02N31LM	113355-03	1" NPT	Litres

SPECIFICATIONS	02A	02N
Construction	Aluminum	Nylon
Type	Electronic Digital	Electronic Digital
Flow Range (GPM / LPM)	3 to 30 / 10 to 100	3 to 30 / 10 to 100
Powered By	Two alkaline AAA batteries	Two alkaline AAA batteries
Accuracy	+/- 5% of reading	+/- 5% of reading
Pressure Rating	150 PSI	150 PSI
Field Calibration	No	No
Display	4-digit LCD	4-digit LCD
Units	Gallons or Litres	Gallons or Litres
Warranty	1 Year	1 Year
Certifications	CE	CE

ACCESSORIES



Spare Parts and Accessories

GPI® carries a full line of spare parts and accessories for our pumps and meters.




PART NO.	DESCRIPTION
CABINET MODEL ACCESSORIES	
133511-02	Cabinet Base
Hose and Nozzle Kits for Cabinet Model Vane Pumps:	
133170-01	Pedestal Kit: includes base, 2" x 24" pipe and 2" NPT coupler.
126517-05	Pulsar Kit for MR 5-30, 115-volt AC
133527-01	Filter Kit, ¾ in. <ul style="list-style-type: none"> ¾ in. NPT cast iron adapter 10 micron filter, #129300-01 ¾ in. x 4 in. pipe nipple
133537-01	Filter Kit, 1 in. <ul style="list-style-type: none"> 1 in. NPT aluminum filter adapter 1 1/2 - 16 UNF 30 micron particulate filter, #129340-06 1 in. NPT x 7 in. galvanized pipe nipple 1 in. NPT x 3 in. galvanized pipe nipple 1 in. NPT x 1.5 in. (Close) galvanized pipe nipple, 1 in. NPT galvanized street elbow 1 in. NPT galvanized elbow.

PART NO.	DESCRIPTION
FUEL FILTER KITS	
906006-52	Cast Iron Adapter: ¾ in. NPT for 18 GPM - 14 UNF
906004-88	Cast Iron Adapter: 1 in. NPT for 18 GPM, 1 - 12 UNF
129420-01	Cast Iron Adapter: 1 in. NPT for 18 GPM, 1-3/8 - 12 UNF
906005-67	Aluminum Adapter: 1 in. NPT for 30 and 40 GPM, 1-½ - 16 UNF
110528-01	Filter Adapter Installation Kit: <ul style="list-style-type: none"> ¾ in. x 4 in. pipe nipple two pipe bushings roll of pipe thread tape in a blister package
FUEL FILTERS	
129300-01	Particulate Filter: (18 GPM/67 LPM) 10 micron, 1 - 12 UNF
129340-02	Particulate Filter: (18 GPM/67 LPM) 10 micron, 1 - 12 UNF. Includes Draincock
129340-01	Particulate Filter: (18 GPM/67 LPM) 10 micron, 1-3/8 - 12 UNF. Includes Draincock
129320-01	Particulate Filter: (30 GPM/113 LPM) 10 micron, 1 ½ - 16 UNF
129340-06	Particulate Filter: (40 GPM/ 151 LPM) 30 micron, 1-1/2 - 16 UNF
129300-02	Water & Particulate Filter: (18 GPM/67 LPM) 10 micron, 1 - 12 UNF
129320-02	Water & Particulate Filter: (30 GPM/113 LPM) 10 micron, 1 ½ - 16 UNF
129340-04	Water & Particulate Filter: (Bio-Tek®) (25 GPM/95 LPM) 2 micron, 1 - 12 UNF
129340-05	Water & Particulate Filter: (Bio-Tek®) (40 GPM / 151 LPM) 2 micron, 1 ½ - 16 UNF
HYDRAULIC FILTERS	
129922-01	Hydraulic Filter: 10 micron
129923-01	Hydraulic Filter: 25 micron
111502-2	<ul style="list-style-type: none"> Hose Ball Valve Nozzle Adjustable Suction Pipe for 2 in. bung
HOSES	
110538-01	B100 Fuel Hose Assembly: ¾ in. x 14 ft. grounded hose with spring support, P.O.P.
110539-01	B100 Fuel Hose Assembly: 1 in. x 14 ft. grounded hose with spring support, P.O.P.

ACCESSORIES

PART NO.	DESCRIPTION
110187-1	Electric Gear Fuel Pump Hose Assembly: Buna-N® ¼ in. x 12 ft. (3.7 m) with static wire
110523-1	Fuel Hose Kit: ¾ in. x 12 ft. (3.7 m) with static wire, P.O.P.
114504-3	Hose and Nozzle Kit: For HP-100 and RP-10 Series
133262-05	Fuel Hose Assembly: 1 in. x 20 ft.
141201-507	Fuel Hose Assembly (U.L. Listed): ¾ in. x 18 ft.
121036-1	Fuel Hose Assembly: 1 in. NPT x 12 ft. with spring
110049-507	Hose Assembly: ¾ in. x 20 ft. with spring support
110529-01	Hose Kit: ¾ in. x 14 ft. (4.2 m) with spring and static wire, P.O.P.
110529-02	Hose Kit: 1 in. x 12 ft. (3.7 m) with static wire, P.O.P.
110529-03	Hose Kit: 1 in. x 14 ft. (4.2 m) with spring and static wire, P.O.P.
	
KITS	
110906-03	B100 Shaft Seal Conversion Kit: (For GPI Gear Pumps) Requires min. operating temp. of 40° for B100.
133503-02	B100 Shaft Seal Kit: (GPI Vane Pumps, except M-3020) Requires min. operating temp. of 40° F for B100
133503-05	Cold Weather Shaft Seal Kit (GPI Vane Pumps, except M-3020) Tested to -40° F.
110504-1	Gear Pump Overhaul and Conversion Kit: <ul style="list-style-type: none"> • Two gears • Drive key and replacement seals for the gear cover motor shaft (use motor shaft seal to convert existing pump to B100 compatible) • Poppet • Strainer • Switch cover plate
	Overhaul Kit for EZ-8: Motor shaft key, two gears and a set of replacement seals
13750005	Overhaul Kit for HP-100 Hand Pump: Piston ring, three seals, packing seals and liner.
114505-2	Overhaul Kit for RP-10 Rotary Hand Pump: Vaness, springs, O-rings and gasket
123503-1	Seal Kit: Four replacement seals (For M-3025, M-3120, M-3130)
133504-1	Shaft Seal Kit: Retaining ring, shaft seal and spacer washer (For M-3025, M-3120, M-3130)
133503-1	Vane Kit: Shaft key, eight 1.25 in. vanes and one seal (For M-3025, M-3120)
133501-1	Vane Kit: Shaft key, eight 2 in. vanes and one seal (For M-3130)
133502-1	Vane Kit: Shaft key, eight 2 in. vanes and one seal (For M-3130)

PART NO.	DESCRIPTION
METER ACCESSORIES	
113520-1	Battery Replacement Kit: (For 03 and TM Series meters) Two lithium batteries
116000-1	Calibration Container: 5 Gallon (Do not use for fuel.)
906004-85	Computer Cover: (For 03 and TM Series meters) Single Access Port
906004-86	Computer Cover: (For 03 and TM Series meters) Dual Access Port
126530-09	MR 5-30 Series Seal Kit: Two fitting O-rings and a housing O-ring
111506-2	FM-100 Series Overhaul Kit: Replacement seals and O-rings
111010-1	FM-100 Series Filter Element
111506-2	FM-200 Series Overhaul Kit: Replacement seals and O-rings
901002-52	Meter O-ring: Seals the computer to the turbine housing. Fits Meter Models 01 and 03
126517-05	Pulser Kit for MR 5-30: 115-volt AC
	
NOZZLES	
906008-570	Automatic Diesel Nozzle (U.L. Listed): 1 in. curved spout for M-3025, M-3020 & M-3130 pump
906004-598	Automatic Leaded Nozzle (U.L. Listed): ¾ in. NPT, curved spout for M-3120
110121-8	Automatic Unleaded Nozzle: ¾ in. NPT, straight spout for M-150S, M-180S, M-240S and M-1115S Series
906008-03	Automatic DEF Nozzle: Stainless Steel ¾ in. hose barb inlet
906001-506	Manual Leaded Nozzle: ¾ in. NPT, straight spout for M-3120 pump
110155-4	Manual Leaded Nozzle: 1 in. NPT for M-180S
906001-10	Manual Leaded Nozzle: 1 in. NPT, straight spout for M-3130 pump
110155-1	Manual Unleaded Nozzle: ¾ in. NPT for M-150S, M-240S and M-1115S Series
906008-02	Manual DEF Nozzle: Polypropylene, Stainless Steel ¾ in. hose barb inlet

ACCESSORIES

PART NO.	DESCRIPTION
----------	-------------



PUMP ACCESSORIES

110527-1	Battery Clamp Kit
133263-01	Battery Clamps: Heavy Duty
110909-1	Bung Adapter Kit: 2 in. NPT bung adapter
110412-15	Power Cord Kit: 15 ft., 14/2 AWG (Fits EZ-8 model)
110242-01	Power Cord Kit: 18 ft., 12/2 AWG (Fits M-120, M-150S, M-180S, M-240S, M-3020 models)
501009-501	Power Cord Kit: 18 ft., 10/2 AWG (Fits M-3025 model)
110929-01	Power Cord Kit: 22 ft., 12/2 AWG (Fits M-150, M-180, M-240, DC models only)
906001-4	Pressure Vent Cap Assembly (Cap and Adaptor)
906004-62	Replacement Cap: (For Vent Cap Assembly)
11080801	Security Collar: Plastic
11081801	Security Collar: Aluminum
110243-01	Suction Pipe: Steel, Adjustable from 22-40 in.
110241-01	Suction Pipe: Plastic, Adjustable from 15-40 in.
110241-02	Extension, Suction Pipe: Plastic, 14.5 in.
110531-01	Switch Kit: (Fits M-120, M-150, M-1100, M-150S, M-180S, M-240S models)
150400-02	3/4" Hose Swivel
150400-04	1" Hose Swivel
121231-1	Tank Adapter: 2 in. x 1 in. FNPT
121231-5	Tank Adapter: 2 in. x 1 1/4 in. FNPT

PART NO.	DESCRIPTION
----------	-------------



DISPENSER SYSTEM ACCESSORIES

133200-10	20 GPM Pump
133220-05	30 GPM Pump
133511-02	Cabinet Base: Free-standing
133170-01	Pedestal Assembly: NPT
133514-01	Pump Vapor Recovery Kit
143500-07	Shelf Kit: For the MR 5-30 Remote Dispenser unit
13353302	Vacuum Breaker Kit: For M-3120
13353303	Vacuum Breaker Kit: For M-3130

MOBILE TANK 12V PUMP



Transfer Tank

50 to 100
Gallons

Equipment Tank

2 to 30
Gallons



Transfer Tank

100 to 300
Gallons

Equipment Tank

30 & UP
Gallons

Recommended Pumps

M-150	15 GPM
EZ-8	8 GPM
HP-100	50 Gal / 100 Strokes

Recommended Pumps

M-180	18 GPM
M-3020	20 GPM
M-3025	25 GPM

FIXED TANK 115V PUMP



Transfer Tank

100 to 500
Gallons

Equipment Tank

2 to 30
Gallons



Transfer Tank

500 to 2000
Gallons

Equipment Tank

30 & UP
Gallons

Recommended Pumps

M-1115	12 GPM
HP-100	50 Gal / 100 Strokes

Recommended Pumps

M-3120	20 GPM
M-3130	30 GPM

BUY THE RIGHT PUMP!



PRODUCT CATALOG

GREAT PLAINS INDUSTRIES, INC
"A Great Plains Ventures Subsidiary"

PUMPS & METERS

The Proven Choice for Fuel Transfer Solutions

NEW

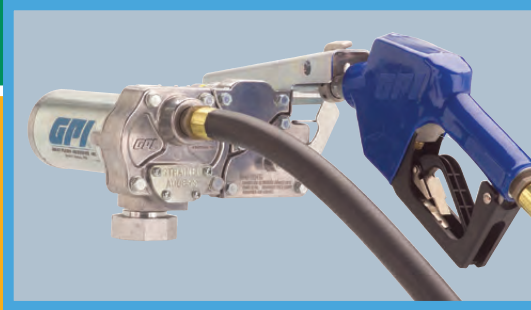


FULL LINE OF
QUALITY
PRODUCTS

NEW



SERVING
THE INDUSTRY
SINCE
1972



UNEQUALLED
CUSTOMER
SERVICE



NEW



MADE
IN THE
USA



NEW



WE ARE GPI



Great Plains Industries is a leading manufacturer of fuel transfer pumps, diesel pumps and hand pumps. GPI has become the supplier of choice for vane and gear pumps including truck mounted pumps, fleet fueling and cabinet pumps. GPI is the #1 brand of fuel transfer pumps sold at retail.

GPI offers a full line of gasoline transfer pumps, diesel transfer pumps and fuel meters designed specifically for agricultural fueling, construction fueling and fleet fueling applications. We also have specific products for use with oil and chemicals.

GPI products are designed, engineered and tested to exacting standards before being introduced to the market. Products built by GPI are 100% functionally tested to ensure years of dependable service.

Most products from GPI carry a full, two-year warranty. We are proud to provide you with a quality product and excellent support after the sale. Should you have a problem with any GPI product or need replacement parts, contact our Technical Support staff at the factory for assistance.

CONTENTS



ELECTRIC PUMPS 12-VOLT & 24-VOLT



ELECTRIC PUMPS 115-VOLT & 230-VOLT

Includes Cabinet Models,
Remote Dispensers &
Pump/Combo Units.



FLEET FUELING SYSTEMS



AVIATION REFUELING



HAND PUMPS



FUEL METERS



OIL PUMPS & METERS



CHEMICAL PUMPS & METERS 12-VOLT & 115-VOLT

Includes Hand Pumps,
Chemical & Water Meters.



ACCESSORIES



REBUILT PRODUCTS



SPECIALTY PUMPS

Includes DEF, E85 and
Methanol products.

12-VOLT PUMPS

CHOOSING A GPI ELECTRIC GEAR PUMP

When it comes to choosing an Electric Pump, GPI makes it easy! At Great Plains Industries, we recognize the differences in the needs of our customers.

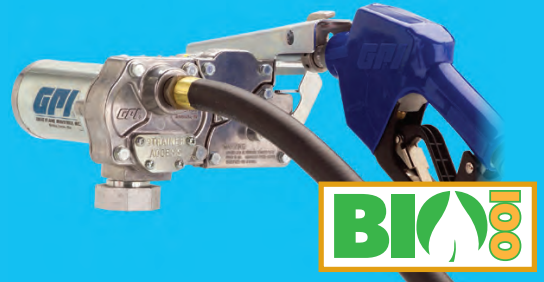
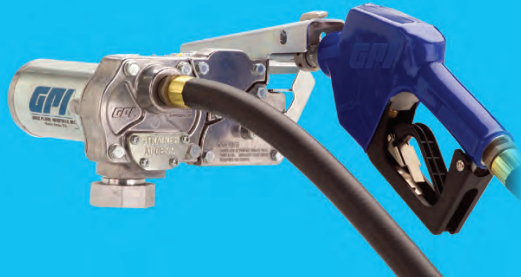



MODEL	EZ-8	M-150S-EM
PART NUMBER	137100-01	110000-107
VOLTAGE & TYPE	12-volt DC - Rotary Gear Explosion proof motor.	12-volt DC - Rotary Gear Explosion proof motor.
FLOWRATE	Up to 8 GPM (30 LPM)	Up to 15 GPM (57 LPM)
DUTY CYCLE	15 min. On / 30 min. Off	30 min. On / 30 min. Off
POWER CORD	15 ft. (4.6m) x 14/2 AWG	18 ft. (5.5m) x 12/2 AWG
NOZZLE	Manual Shutoff	Manual Shutoff
INLET/OUTLET SIZE	3/4 in. / 3/4 in.	1 in. / 3/4 in.
SUCTION PIPE	Three-piece, Trim-to-fit	Two-piece, Trim-to-fit
HOSE	10 ft. (3.0m) x 5/8 in.	10 ft. (3.0m) x 3/4 in.
MOTOR PROTECTION	Thermal Protector	Circuit breaker
UNIQUE FEATURE	Gas station equivalent flowrate - direct tank mounting.	Economy model with direct tank mounting.
USE WITH	Gasoline (up to 15% alcohol blends such as E15), diesel fuel (up to 20% biodiesel blends such as B20) and kerosene.	
APPROVALS	Motor is U.L. Listed to U.S. and Canadian Standards	U.L. Listed Motor. CSA Certified Flammable Liquid Dispenser.
WARRANTY	2 Year	2 Year

WHY GPI?

GPI IS THE #1 RETAIL BRAND

GPI
PUMP
SPECS



MODEL	M-150S-MU or -AU	M-150S-B100-MU or -AU
PART NUMBER	110000-99 w/manual nozzle 110000-100 w/auto nozzle 110000-104 w/manual nozzle and CE Approval 110000-105 w/auto nozzle and CE Approval	110000-126 w/manual nozzle 110000-127 w/auto nozzle
VOLTAGE & TYPE	12-volt DC - Rotary Gear Explosion proof motor.	12-volt DC - Rotary Gear Explosion proof motor.
FLOWRATE	Up to 15 GPM (57 LPM)	Up to 15 GPM (57 LPM)
DUTY CYCLE	30 min. On / 30 min. Off	30 min. On / 30 min. Off
POWER CORD	18 ft. (5.5m) x 12/2 AWG	18 ft. (5.5m) x 12/2 AWG
NOZZLE	Choice of Manual or Automatic Shutoff	Choice of Manual or Automatic Shutoff
INLET/OUTLET SIZE	1 in. / 3/4 in.	1 in. / 3/4 in.
SUCTION PIPE	Adjustable to 40 in.	Adjustable to 40 in.
HOSE	12 ft. (3.7m) x 3/4 in.	12 ft. (3.7m) x 3/4 in.
MOTOR PROTECTION	Circuit breaker	Circuit breaker
UNIQUE FEATURE	Convenient Spin Collar for easy installation.	 B100 Fuel requires a min. operating temp. of 40° F.
USE WITH	Gasoline (up to 15% alcohol blends such as E15), diesel fuel (up to 20% biodiesel blends such as B20) and kerosene.	Gasoline (up to 15% alcohol blends such as E15), diesel fuel (up to 20% biodiesel blends such as B20), biodiesel (B100) and kerosene.
APPROVALS	U.L. Listed Motor. CSA Certified Flammable Liquid Dispenser.	U.L. Listed Motor. CSA Certified Flammable Liquid Dispenser.
WARRANTY	2 Year	2 Year

12-VOLT PUMPS

GPI HIGH-FLOW ELECTRIC GEAR PUMPS

Special applications require a special pump. Do you need a 8, 15, 18, or 25 GPM pump? GPI offers models with or without hose and nozzle and with a straight or



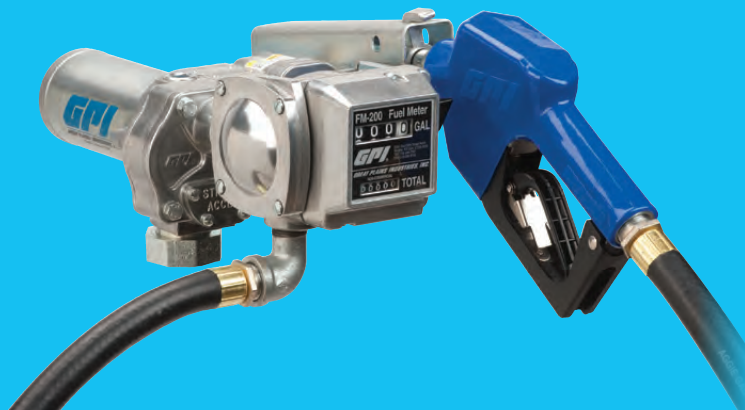
MODEL	M-180S-ML or -AU	M-240S-MU
PART NUMBER	110300-1 w/manual nozzle 110300-2 w/auto nozzle 110300-3 w/manual nozzle & CE Approval 110300-4 w/auto nozzle & CE Approval	110000-70 w/manual nozzle 110000-91 w/manual nozzle & CE Approval
VOLTAGE & TYPE	12-volt DC - Rotary Gear Explosion proof motor.	24-volt DC - Rotary Gear Explosion proof motor.
FLOWRATE	Up to 18 GPM (69 LPM)	Up to 15 GPM (57 LPM)
DUTY CYCLE	30 min. On / 30 min. Off	30 min. On / 30 min. Off
POWER CORD	18 ft. (5.5m) x 12/2 AWG	18 ft. (5.5m) x 12/2 AWG
NOZZLE	Choice of Manual or Automatic Shutoff	Manual Shutoff
INLET/OUTLET SIZE	1 in. / 1 in.	1 in. / 3/4 in.
SUCTION PIPE	Adjustable to 40 in.	Adjustable to 40 in.
HOSE	12 ft. (3.7m) x 1 in.	12 ft. (3.7m) x 3/4 in.
MOTOR PROTECTION	Circuit breaker	Circuit breaker
UNIQUE FEATURE	Improved flowrate and convenient Spin Collar.	Convenient Spin Collar for easy installation.
USE WITH	Gasoline (up to 15% alcohol blends such as E15), diesel fuel (up to 20% biodiesel blends such as B20) and kerosene.	
APPROVALS	U.L. Listed Motor. CSA Certified Flammable Liquid Dispenser.	U.L. Listed Motor. CSA Certified Flammable Liquid Dispenser.
WARRANTY	2 Year	2 Year

12-VOLT PUMP & METER COMBO

weight-centering base. These pumps fit high-flow applications requiring either a 12- or 24-volt DC pump. Contact GPI Customer Service for information on the best pump for your unique application.



**PUMP
SPECS**



MODEL	12-VOLT PUMP & METER COMBOS	
PART NUMBER	110610-11 M-150S-MU / FM-200-G6N 110610-13 M-150S-AU / FM-200-G6N	110610-12 M-150S-MU / FM-200-L6N 110610-14 M-150S-AU / FM-200-L6N
VOLTAGE & TYPE	12-VOLT DC - Rotary Gear Pump with mechanical meter	
FLOWRATE	Up to 15 GPM (57 LPM)	
DUTY CYCLE	30 min. on / 30 min off	
POWER CORD	18 ft. (5.5 m) x 12/2 AWG	
NOZZLE	Choose automatic or manual shutoff nozzle	
SUCTION PIPE	Adjustable to 40 in.	
HOSE	12 ft (3.7 m) X 3/4 in.	
MOTOR PROTECTION	Circuit breaker	
PRODUCT INCLUDES	M-150S Electric Pump, FM-200 Meter, adjustable suction pipe, hose, power cord and choice of nozzle.	
USE WITH	Gasoline (up to 15% alcohol blends such as E15), diesel fuel (up to 20% biodiesel blends such as B20) and kerosene.	
APPROVALS	Pump Motor - U.L. Listed, CSA Certified Flammable Liquid Dispenser, Meter - U.L. Listed	
WARRANTY	2 Year	

12- and 24-VOLT PUMPS

GPI HIGH-FLOW ELECTRIC VANE PUMPS

Special applications require a special pump. Do you need a high-flow 25 GPM pump to transfer fuel in a hurry? GPI offers models with or without hose and nozzle and with



**PUMP
SPECS**








MODEL	M-3025-ML or -AD	M-3025CS-PO	M-3025CB-ML or -AD
PART NUMBER	133240-1 w/manual nozzle 133240-2 w/auto nozzle	133262-03 (Pump only model)	133265-03 w/manual nozzle 133265-04 w/auto nozzle
VOLTAGE & TYPE	12-volt DC - Vane	12-volt DC - Vane	12-volt DC - Vane
FLOWRATE	Up to 25 GPM (95 LPM)	Up to 25 GPM (95 LPM)	Up to 25 GPM (95 LPM)
DUTY CYCLE	30 min. On / 30 min. Off	30 min. On / 30 min. Off	30 min. On / 30 min. Off
POWER CORD	15 ft. (4.6m) of 10/3 AWG	15 ft. (4.6m) of 10/3 AWG	18 ft. (5.5m) power cord
NOZZLE	Choice of manual or automatic shutoff.	None	Choice of manual or automatic shutoff.
INLET/OUTLET SIZE	1 in. / 1 in.	1 in. / 1 in.	1 in. / 1 in.
SUCTION PIPE	None	None	None
HOSE	12 ft. (3.7m) x 1 in.	None	18 ft. (5.5m) x 1 in.
MOTOR PROTECTION	40 amp circuit breaker	40 amp circuit breaker	40 amp circuit breaker
UNIQUE FEATURE	Straight base, strainer screen without check valve.	Weight centering inlet base - includes check valve.	Weight centering inlet base - includes check valve.
USE WITH	Gasoline (up to 15% alcohol blends such as E15), diesel fuel (up to 20% biodiesel blends such as B20) and kerosene.		
APPROVALS	Motor is U.L. Listed to U.S. and Canadian Standards	Motor is U.L. Listed to U.S. and Canadian Standards	Motor is U.L. Listed to U.S. and Canadian Standards
WARRANTY	2 Year	2 Year	2 Year

WHY GPI?



OUR CUSTOMER SERVICE TEAM WILL TREAT YOU AS THEY EXPECT TO BE TREATED.





a straight or weight-centering base. These pumps fit high-flow applications requiring either a 12- or 24-volt DC pump. Contact GPI Customer Service for information on the best pump for your unique application.

 <p>PUMP SPECS</p>			
MODEL	M-3025-B100-ML or -AD	M-3425-ML or -AD	M-3425CS-PO
PART NUMBER	133240-07 w/manual nozzle 133240-08 w/auto nozzle	133260-01 w/manual nozzle 133260-02 w/auto nozzle	133262-04 (Pump only model)
VOLTAGE & TYPE	12-volt DC - Vane	24-volt DC - Vane	24-volt DC - Vane
FLOWRATE	Up to 25 GPM (95 LPM)	Up to 25 GPM (95 LPM)	Up to 25 GPM (95 LPM)
DUTY CYCLE	30 min. On / 30 min. Off	30 min. On / 30 min. Off	30 min. On / 30 min. Off
POWER CORD	15 ft. (4.6m) of 10/3 AWG	15 ft. (4.6m) of 10/3 AWG	15 ft. (4.6m) of 10/3 AWG
NOZZLE	Choice of manual or automatic shutoff.	Choice of manual or automatic shutoff.	None
INLET/OUTLET SIZE	1 in. / 1 in.	1 in. / 1 in.	1 in. / 1 in.
SUCTION PIPE	None	None	None
HOSE	12 ft. (3.7m) x 1 in.	12 ft. (3.7m) x 1 in.	None
MOTOR PROTECTION	40 amp circuit breaker	20 amp circuit breaker	20 amp circuit breaker
UNIQUE FEATURE	 B100 Fuel requires a minimum operating temperature of 40° F.	Straight base, strainer screen without check valve.	Weight centering inlet base - includes check valve.
USE WITH	Gasoline (up to 15% alcohol blends such as E15), diesel fuel (up to 20% biodiesel blends such as B20), biodiesel (B100) and kerosene.	Gasoline (up to 15% alcohol blends such as E15), diesel fuel (up to 20% biodiesel blends such as B20) and kerosene.	
APPROVALS	Motor is U.L. Listed to U.S. and Canadian Standards	Motor is U.L. Listed to U.S. and Canadian Standards	Motor is U.L. Listed to U.S. and Canadian Standards
WARRANTY	2 Year	2 Year	2 Year

115- or 230-VOLT PUMPS

CHOOSING A 115- OR 230-VOLT PUMP

The Vane Pumps shown here are either 115-volt or 230-volt AC Pumps designed for use in stationary applications. These models have been proven in rugged applications.

 PUMP SPECS			
	MODEL	M-1115S-MU or -AU	M-3120-ML or -AL
PART NUMBER	110000-81 w/manual nozzle 110000-82 w/auto nozzle	133200-1 w/manual nozzle 133200-2 w/auto nozzle	133220-1 w/manual nozzle 133220-2 w/auto nozzle
VOLTAGE & TYPE	115-volt AC - Gear Explosion proof motor.	115-volt AC - Vane	115- or 230-volt AC - Vane
FLOWRATE	Up to 12 GPM (45 LPM)	Up to 20 GPM (75 LPM)	Up to 30 GPM (114 LPM)
DUTY CYCLE	30 min. On / 30 min. Off	30 min. On / 30 min. Off	30 min. On / 30 min. Off
POWER CORD	None	None	None
NOZZLE	Choice of Manual or Automatic Shutoff	Choice of Manual or Automatic Shutoff	Choice of Manual or Automatic Shutoff
INLET/OUTLET SIZE	1 in. / 3/4 in.	1 in. / 1 in. (3/4 in. bushing supplied)	1-1/4 in. / 1 in.
SUCTION PIPE	Adjustable to 40 in.	None	None
HOSE	12 ft. (3.7m) x 3/4 in.	12 ft. (3.7m) x 3/4 in.	12 ft. (3.7m) x 1 in.
MOTOR PROTECTION	Internal auxiliary temperature- limiting device & circuit breaker.	Internal temperature- limiting device.	Internal temperature- limiting device.
UNIQUE FEATURE	Designed for stationary locations in fleet, agriculture or light industrial applications.	External switch coverplate allows for easy access and keeps the U.L. rating intact.	Unique strainer and poppet design allows for easy access and maintenance.
USE WITH	Gasoline (up to 15% alcohol blends such as E15), diesel fuel (up to 20% biodiesel blends such as B20) and kerosene.		
APPROVALS	Pump and Motor are U.L. Listed and CSA Certified	U.L. Listed to U.S. and Canadian Standards	U.L. Listed to U.S. and Canadian Standards
WARRANTY	2 Year	2 Year	2 Year

WHY GPI?

GPI SERVES A VARIETY OF MARKET NEEDS WORLDWIDE.

Consider one of these models for construction, fleet or large farming applications. You can save time and money using one of these pumps to refuel. These high-flow pumps lead the industry in reliability and durability.

			
MODEL	M-3120-B100-ML or -AL	M-3260-ML or -AL	M-3295-ML or -AL
PART NUMBER	133200-05 w/manual nozzle 133200-06 w/auto nozzle	133210-01 w/manual nozzle 133210-02 w/auto nozzle	133230-01 w/manual nozzle 133230-02 w/auto nozzle
VOLTAGE & TYPE	115-volt AC - Vane	230-volt AC - Vane	230-volt AC - Vane
FLOWRATE	Up to 20 GPM (75 LPM)	Up to 64 LPM @ 50 Hz 76 LPM @ 60 Hz	Up to 95 LPM @ 50 Hz 113.5 LPM @ 60 Hz
DUTY CYCLE	30 min. On / 30 min. Off	30 min. On / 30 min. Off	30 min. On / 30 min. Off
POWER CORD	None	None	None
NOZZLE	Choice of Manual or Automatic Shutoff	Choice of Manual or Automatic Shutoff	Choice of Manual or Automatic Shutoff
INLET/OUTLET SIZE	1 in. / 1 in. (3/4 in. bushing supplied)	1 in. BSPP / 1 in. BSPP (3/4 in. bushing supplied)	1-1/4 in. BSPP / 1 in. BSPP
SUCTION PIPE	None	None	None
HOSE	12 ft. (3.7m) x 3/4 in.	12 ft. (3.7m) x 1 in.	12 ft. (3.7m) x 1 in.
MOTOR PROTECTION	Internal temperature-limiting device.	Internal temperature-limiting device.	Internal temperature-limiting device.
UNIQUE FEATURE	 B100 Fuel requires a minimum operating temperature of 40° F.	Inlet/outlet connections are BSPP threads. Pump bung is 2 in. male BSPT.	Inlet/outlet connections are BSPP threads. Pump bung is 2 in. male BSPT.
USE WITH	Gasoline (up to 15% alcohol blends such as E15), diesel fuel (up to 20% biodiesel blends such as B20), biodiesel (B100) and kerosene.	Diesel fuel.	Diesel fuel.
APPROVALS	U.L. Listed Motor to U.S. and Canadian Standards.	U.L. Listed Motor to U.S. and Canadian Standards. CE	U.L. Listed Motor to U.S. and Canadian Standards. CE
WARRANTY	2 Year	2 Year	2 Year

FLEET FUELING SYSTEMS



SPECS



MODEL	CABINET MODEL FOR 115-VOLT	CABINET MODEL FOR 230-VOLT
PART NUMBER	<p>133604-51 w/M-3120 Pump. Meter is calibrated in gallons.</p> <p>133604-52 w/M-3120 Pump. Meter is calibrated in litres.</p>	<p>133604-54 w/M-3220 Pump. Meter is calibrated in gallons.</p> <p>133604-55 w/M-3220 Pump. Meter is calibrated in litres.</p> <p>133604-53 w/M-3260 Pump. Meter is calibrated in litres.</p>
VOLTAGE & TYPE	115-volt AC - Vane	230-volt AC - Vane
FLOWRATE	Up to 20 GPM (76 LPM)	<p>M-3220 delivers up to 20 GPM (76 LPM) @ 60 Hz or up to 17 GPM (64 LPM) @ 50 Hz</p> <p>M-3260 delivers up to 64 LPM @ 50 Hz.</p>
DUTY CYCLE	30 min. On / 30 min. Off	30 min. On / 30 min. Off
NOZZLE	Sold separately.	Sold separately.
INLET/OUTLET SIZE	1 in. / 3/4 in.	1 in. / 3/4 in.
SUCTION PIPE	None	None
HOSE	M-3120 accepts NPT connection. Hose sold separately.	M-3220 accepts NPT connection. M-3260 accepts BSPT connection. Hose sold separately.
PRODUCT INCLUDES	M-3120 Pump, MR 5-30 Meter & Tank Adapter	Pump, MR 5-30 Meter & Tank Adapter
UNIQUE FEATURE	Pump and meter are combined in a self-contained cabinet.	Designed for 230-volt applications.
USE WITH	Gasoline, Gasoline/Ethanol blends at levels designated as "gasohol" (E10 maximum), diesel and kerosene.	
APPROVALS	U.L. Listed to U.S. and Canadian Standards	<p>CM-3220: U.L. Listed to U.S. and Canadian Standards</p> <p>CM-3260: Motor U.L. Listed to U.S. and Canadian Standards, CE</p>
WARRANTY	2 Year	2 Year

GPI BUILDS PRODUCTS IN THE HEARTLAND OF THE U.S.A.



SPECS



Factory assembled GPI Combos are available with the **M-3120** or **M-3130 Pump** and includes the **MR 5-30 Meter**. Meter is calibrated in gallons or litres.

(Note: 12 feet of hose and choice of manual or automatic nozzle included on select models.)

MODEL

115 & 230-VOLT PUMP & METER COMBOS (ASSEMBLED)

PART NUMBER

M-3120 PUMPS

M-3130 PUMPS

CALIBRATED IN GALLONS

133600-58 **M-3120-ML/MR 5-30-G6N**
With manual nozzle - 3/4 in. NPT outlet.
133600-59 **M-3120-AL/MR 5-30-G6N**
With auto nozzle - 3/4 in. NPT outlet.
133600-60 **M-3120-PO/MR 5-30-G8N**
Hose and nozzle sold separately -
1 in. NPT outlet.

133601-57 **M-3130- ML/MR 5-30-G8N**
With manual nozzle - 1 in. NPT outlet.
133601-58 **M-3130-AD/MR 5-30-G8N**
With auto nozzle - 1 in. NPT outlet.
133601-59 **M-3130-PO/MR 5-30-G8N**
Hose and nozzle sold separately - 1 in. NPT

CALIBRATED IN LITRES

133600-61 **M-3120-ML/MR 5-30-L6N**
With manual nozzle - 3/4 in. NPT outlet.
133600-62 **M-3120-AL/MR 5-30-L6N**
With auto nozzle - 3/4 in. NPT outlet.
133600-57 **M-3120-PO/MR 5-30-L8N**
Hose and nozzle sold separately -
1 in. NPT outlet.

133601-60 **M-3130-ML/MR 5-30-L8N**
With manual nozzle - 1 in. NPT outlet.
133601-61 **M-3130-AD/MR 5-30-L8N**
With auto nozzle - 1 in. NPT outlet.
133601-56 **M-3130-PO/MR 5-30-L8N**
Hose and nozzle sold separately -
1 in. NPT outlet.

FLOWRATE

Up to 20 GPM (75 LPM)

Up to 30 GPM (113 LPM)

VOLTAGE & TYPE

115-volt AC - Vane

115/230 -volt AC - Vane

DUTY CYCLE

30 min. On / 30 min. Off

NOZZLE

Choose automatic or manual shutoff nozzle.

PRODUCT INCLUDES

Either M-3120 or M-3130 Pump, MR 5-30 Meter, 12 ft. of Hose, Tank Adapter and choice of nozzle. Hose and Nozzle included on select models. (Power Cord and Suction Pipe not included.)

USE WITH

Gasoline (up to 15% alcohol blends such as E15), diesel fuel (up to 20% biodiesel blends such as B20) and kerosene.

APPROVALS

Pump and motor are U.L. Listed to U.S. and Canadian Standards. Meter is U.L. Listed.

Pump is U.L. Listed to U.S. and Canadian Standards. U.L. Listed and CSA Certified motor. Meter is U.L. Listed.

WARRANTY

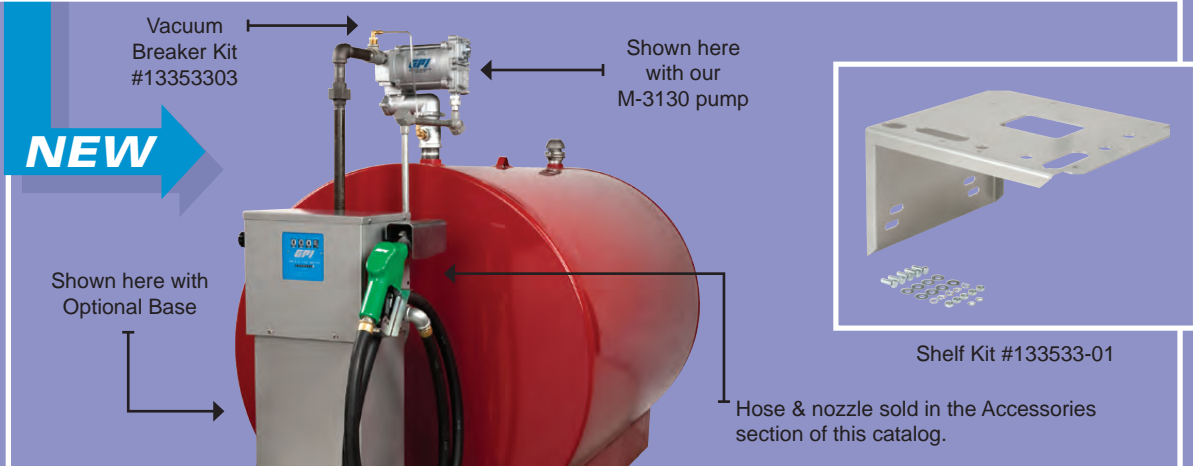
2 Year

FLEET FUELING SYSTEMS



Same great product, now with our MR 5-30 Meter

SPECS



MODEL	MR 5-30 REMOTE DISPENSER	
	Pump sold separately.	Accessories sold separately.
	Order 133200-10 for 20 GPM Pump; Order 13353302 for Vacuum Breaker Kit Order 133220-05 for 30 GPM Pump; Order 13353303 for Vacuum Breaker Kit	Order 133511-01 for Optional Cabinet Base (shown above) Order 133533-01 for Shelf Kit (shown above; will fit on either front or side of tank)
PART NUMBER	133300-55 Remote Dispenser - calibrated in gallons 133300-56 Remote Dispenser - calibrated in litres	
VOLTAGE & TYPE	115/230-volt - Dispenser Unit	
FLOWRATE of GPI pumps (SOLD SEPARATELY)	M-3120 - 20 GPM (76 LPM) or M-3130 - 30 GPM (114 LPM)	
DUTY CYCLE	N/A	
POWER CORD	None	
HOSE & NOZZLE	Hose and nozzle sold separately (Sold in the Accessories section of this catalog)	
INLET/OUTLET SIZE	1 in. NPT	
SUCTION PIPE	None	
PRODUCT INCLUDES	Dispenser, nozzle holder, solenoid and MR 5-30 Meter. Hose and nozzle sold separately.	
UNIQUE FEATURE	Durable dispenser mounts on a fuel tank for easy refueling. Cabinet is powder-coated; nozzle cradle and nozzle cover are zinc plated for extra corrosion resistance. GPI's MR 5-30 Remote Dispenser can also be used with #126517-01 Pulser Kit (optional).	
USE WITH	Gasoline, Gasoline/Ethanol blends at levels designated as "gasohol" (E10 maximum), diesel and kerosene.	
APPROVALS	U.L. Listed to U.S. and Canadian Safety Standards.	
WARRANTY	2 Year	

AVIATION REFUELING

NEW



These Aviation Pumps & Meters are only intended to be ground-based or vehicle mounted. Do not use or mount in or on the aircraft.

For use with aviation gasoline (AVGAS 100LL) and kerosene grade (JET A). User should consult NFPA 407 Standard for Aircraft Fuel Servicing for safety requirements during ground fuel servicing of aircraft using liquid petroleum fuels. This product has no actual or implied compliance with this standard.

PUMPS



MODEL	M-150S-AV-PO	M-3025CB-AV-PO	M-3120-AV-PO	M-3130-AV-PO
PART NUMBER	110000-200	133240-200	133600-200	133601-200
VOLTAGE	12-VOLT	12-VOLT	115-VOLT	115/230-VOLT
FLOWRATE	15 GPM / 57 LPM	25 GPM / 95 LPM	20 GPM / 75 LPM	30 GPM / 114 LPM
APPROVALS	Motor is U.L. Listed to U.S. and Canadian Standards			
USE WITH	Gasoline, Gasoline/Ethanol blends at levels designated as "gasohol" (E10 maximum), diesel, kerosene and aviation fuels gasoline (AVGAS 100LL) and kerosene grade (JET A).			

METER

MODEL & PART NUMBER	126300-201 MR 5-30-G8N, AVIATION	
	126300-202 MR 5-30-L8N, AVIATION	
FLOW RANGE	5-30 GPM (19-114 LPM)	
USE WITH	Gasoline, Gasoline/Ethanol blends at levels designated as "gasohol" (E10 maximum), diesel, kerosene, aviation gasoline (AVGAS 100LL) and kerosene grade (JET A).	

COMBOS

MODEL & PART NUMBERS	133240-201	M-3025CB-AV-PO / MR 5-30-G8N	
	133600-201	M-3120-AV-PO / MR 5-30-G8N	
	133601-201	M-3130-AV-PO / MR 5-30-G8N	
CALIBRATED IN LITRES	133240-202	M-3025CB-AV-PO / MR 5-30-L8N	
	133600-202	M-3120-AV-PO / MR 5-30-L8N	
	133601-202	M-3130-AV-PO / MR 5-30-L8N	

WARRANTY

2 Year

HAND PUMPS

CHOOSING A GPI HAND PUMP

At GPI, we've expanded our selection of hand pumps to fit nearly every customer application. The **HP-100®** and **HP-90** models, pump fluid on both the push and pull strokes for fast delivery. All of our hand pumps are portable and install quickly.



**PUMP
SPECS**

WORLD'S HIGHEST FLOW



**PORTABLE
HAND
PUMP**



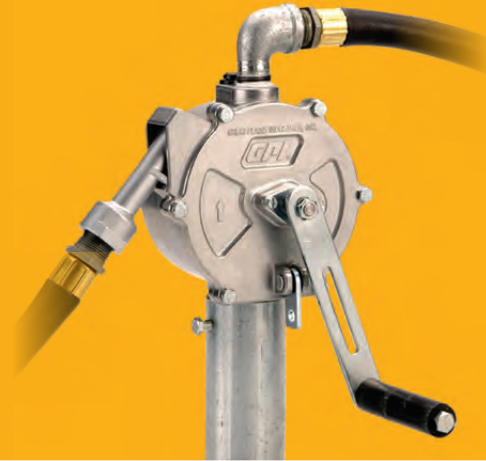
MODEL	HP-100-NUL or HP-100-UL	HP-90
PART NUMBER	114000-5 is non-U.L. Listed Model 114000-10 is U.L. Listed Model	131000-1
PUMP TYPE	Piston	Piston
FLOWRATE	25 gallons (95 litre) or 50 gallon (189 litre) settings per 100 strokes.	Up to 25 gallons (95 litres) per 100 strokes.
NOZZLE TYPE	114000-5 is Thermoplastic 114000-10 is Metal	Thermoplastic
HOSE TYPE	114000-5 Buna-N® without static wire 114000-10 with static wire	Buna-N® without static wire
HOSE SIZE	8 ft. (2.5 m) x 3/4 in.	8 ft. (2.5 m) x 3/4 in.
TANK FITTING	2 in. NPT	2 in. NPT
INLET/OUTLET SIZE	1 in. / 3/4 in.	1 in. / 3/4 in.
SUCTION PIPE	Adjustable to 40 in.	Two-piece, Trim-to-fit
UNIQUE FEATURE	Premium pump moves fluid on both push and pull strokes. Lockable.	Dual action economy pump.
USE WITH	Gasoline (up to 15% alcohol blends such as E15), diesel fuel (up to 20% biodiesel blends such as B20) and kerosene. Petroleum products such as medium oil (up to 30W) and hydraulic fluid	Gasoline (up to 15% alcohol blends such as E15), diesel fuel (up to 20% biodiesel blends such as B20) and kerosene. Petroleum products such as light oil (up to 10W) and hydraulic fluid
APPROVALS	U.L. Listed for HP-100-UL Model	None
WARRANTY	2 Year	2 Year

HAND PUMPS

GPI provides a variety of hand pumps for use with fuels, oils, hydraulic or transmission fluids and kerosene. Compare the features you need to those in the hand pump section to determine the best pump for you.



PUMP SPECS



MODEL	RP-10-UL	RP-5
PART NUMBER	123000-06	129003-1
PUMP TYPE	Rotary	Rotary
FLOWRATE	Up to 10 gallons (38 litres) per 100 revolutions.	Up to 8 gallons (30 litres) per 90 revolutions.
NOZZLE TYPE	Metal	Spout
HOSE TYPE	U.L. Listed gasoline hose with S.S. static wire	N/A
HOSE SIZE	8 ft. (2.5m) x 3/4 in.	N/A
TANK FITTING	2 in. NPT	2 in. NPT
INLET/OUTLET SIZE	1 in. / 3/4 in.	N/A
SUCTION PIPE	Adjustable to 40 in.	Three-piece metal
UNIQUE FEATURE	Rotary action and handle locks for security.	Basic, rotary action pump.
USE WITH	Gasoline (up to 15% alcohol blends such as E15), diesel fuel (up to 20% biodiesel blends such as B20) and kerosene. Petroleum products such as medium oil (up to 30W) and hydraulic fluid	Petroleum based fluids having a flash point above 100 Deg F. Diesel fuel (up to 20% biodiesel blends such as B20) and kerosene. Petroleum products such as light oil (up to 10W) and hydraulic fluid
APPROVALS	U.L. Listed	None
WARRANTY	2 Year	90 Days

WHY GPI?

DESIGNED BETTER TO LAST LONGER!

NEW

The *NEW* DP-20 Diaphragm Hand Pump



**PUMP
SPECS**



The GPI DP-20 Diaphragm Hand Pump is compatible with a wide variety of petroleum products and fits any container with a 2-inch NPT bung.

MODEL	DP-20	DP-20-UL
PART NUMBER	138000-01 for Non-UL Model	138000-02 for UL Model
PUMP TYPE	Diaphragm	
FLOWRATE	20 gallons (75 litres) per 100 strokes or 0.2 gallon (0.75 litres) per stroke cycle.	
NOZZLE TYPE	Thermoplastic	
HOSE SIZE	3/4 in. x 8 ft. or 3/4 in. x 8 ft. U.L. Listed Hose	
TANK FITTING	2 in. NPT	
INLET/OUTLET	1 in. / 3/4 in.	
SUCTION PIPE	Plastic, adjustable from 22 to 40 in. (56-102 cm).	
UNIQUE FEATURE	Works with dirty or contaminated fluids	
USE WITH	For use with Gasoline (up to 15% alcohol blends such as E15), diesel fuel (up to 20% biodiesel blends such as B20) and kerosene. Petroleum products such as medium oil (up to 30W) and hydraulic fluid	For use with Gasoline, Gasoline/Ethanol blends at levels designated as "gasohol" (E10 maximum), diesel and kerosene. Petroleum products such as medium oil (up to 30W) and hydraulic fluid
WARRANTY	2 Years	

This **NEW** diaphragm pump is well-suited for dirty or contaminated fluids. Choose this pump when you need a portable, simple and maintenance-free hand pump. Typical applications include: the garage, barn, on top of a barrel or in the back of the truck.

HAND PUMPS

GPI ECONOMY HAND PUMPS

GPI economy hand pumps are great for specific projects. Our hand pumps are portable, come complete and install quickly. These inexpensive pumps are great to have on hand



PUMP SPECS



MODEL	BP-10	BP-12
PART NUMBER	129020-1	129010-1
PUMP TYPE	Plunger	Lever
FLOWRATE	Up to 1.5 pints per stroke.	Up to 1 pint per stroke.
NOZZLE TYPE	Spout	Spout
TANK FITTING	2 in. NPT	2 in. NPT
SUCTION PIPE	Adjustable via sliding bung adapter.	Telescoping suction pipe.
UNIQUE FEATURE	Spout screws off for garden hose attachment.	Convenient lever handle on a barrel pump.
USE WITH	Petroleum products such as light oil (up to 10W), transmission fluid and hydraulic fluid.	Lightweight petroleum products, oils, anti-freeze and kerosene
APPROVALS	None	None
WARRANTY	90 Days	90 Days

WHY GPI?

GPI ORDERS ARE SHIPPED TO OUR PROMISE DATE 99% OF THE TIME.

around the farm, garage or shop. If you don't find the pump you need here, please contact GPI Customer Service for expert help choosing the best hand pump.



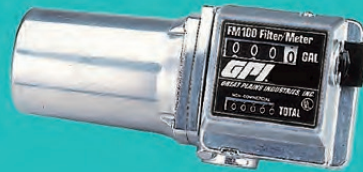
**PUMP
SPECS**



MODEL	CP-5	LP-50
PART NUMBER	129002-1 = single unit 129002-1M4 = 4 pack 129002-1M20 = 20 pack	129000-1
PUMP TYPE	Plunger	Lever
FLOWRATE	Up to 8 ounces per stroke.	Up to 1 pint per stroke.
NOZZLE TYPE	Clear tubing	Molded Acetal spout
TANK FITTING	Slips into 5 gallon pail.	2 in. NPT
SUCTION PIPE	N/A	Expandable to fit drums to 36 in. deep.
UNIQUE FEATURE	Portable – No special tools to install.	Unique design for smooth and easy strokes. Design eliminates seal leakage.
USE WITH	Hydraulic fluids, transmission fluids or motor oils	Water, Antifreeze, Diesel Fuel, Petroleum Based Products, Mild Detergents, Lubricants, Diesel Exhaust Fluid (DEF), urea solution / AUS 32 and most Agricultural Chemicals. Not for use with kerosene, Roundup® Concentrate or Flammable Fluids.
APPROVALS	None	None
WARRANTY	90 Days	90 Days

MECHANICAL FUEL METERS

CHOOSING A GPI METER GPI Mechanical Meters are economical and rugged with many years of proven performance. The **MR 5-30 Meter** fits virtually all mounting applications. Its unique 90° incremental inlet/outlet rotation ability makes installation easy and reduces the need for elbows.



MODEL	FM-100	FM-200
PART NUMBER	111200-1 (1 in. NPT, gallons) 111200-18 (3/4 in. NPT, gallons) 111200-10 (1 in. NPT, litres) 111200-19 (3/4 in. NPT, litres) 111200-12 (1 in. BSPP, litres) 111200-22 (3/4 in. BSPP, litres)	111200-4 (1 in. NPT, gallons) 111200-20 (3/4 in. NPT, gallons) 111200-13 (1 in. NPT, litres) 111200-21 (3/4 in. NPT, litres) 111200-15 (1 in. BSPP, litres) 111200-23 (3/4 in. BSPP, litres)
CONSTRUCTION & TYPE	Aluminum - Mechanical Nutating Disc	Aluminum - Mechanical Nutating Disc
GALLON & LITRE MODELS	Order gallon or litre model	Order gallon or litre model
FLOW RANGE	4-20 GPM (15-75 LPM)	4-20 GPM (15-75 LPM)
ACCURACY	+/- 2% of reading	+/- 2% of reading
PRESSURE RATING	50 PSI	50 PSI
FIELD CALIBRATION	Yes	Yes
INLET/OUTLET SIZES	3/4 in. or 1 in. NPT	3/4 in. or 1 in. NPT
DISPLAY	Max. Batch total is 4-digits Cumulative total is 6-digits	Max. Batch total is 4-digits Cumulative total is 6-digits
UNIQUE FEATURE	Built-in filter protects the equipment being fueled.	Quick access to the internal strainer makes cleanup easy.
USE WITH	Gasoline, Gasoline/Ethanol blends at levels designated as "gasohol" (E10 maximum), diesel and kerosene. Do not use with water or chemicals.	
APPROVALS	U.L. Listed on NPT models.	U.L. Listed on NPT models.
WARRANTY	2 Year	2 Year

GPI's *NEW MR 5-30* MECHANICAL METER

**2X LONGER LIFE THAN
THE INDUSTRY'S NEXT
BEST PERFORMER.**

NEW

GPI

**METER
SPECS**



Twist knob makes resetting a snap!

Easy-to-read four digit display

Rotate cover for desired flow direction



Easy access port to field calibrate



Rotate for desired mounting (fittings included)

MODEL	MR 5-30	MR 5-30N
PART NUMBER	126300-01 (3/4 in. NPT, gallons) 126300-03 (1 in. NPT, gallons) 126300-05 (1-1/2 in. NPT, gallons) 126300-02 (3/4 in. NPT, litres) 126300-04 (1 in. NPT, litres) 126300-06 (1-1/2 in. NPT, litres) 126300-07 (3/4 in. BSPP, litres) 126300-08 (1 in. BSPP, litres) 126300-09 (1-1/2 in. BSPP, litres)	126300-23 (1 in. NPT, gallons) 126300-25 (1-1/2 in. NPT, gallons)
CONSTRUCTION & TYPE	Aluminum - Mechanical Nutating Disc	Aluminum - Mechanical Nutating Disc
GALLON & LITRE MODELS	Order gallon or litre model.	Order gallon or litre model.
FLOW RANGE	5-30 GPM (19-114 LPM)	5-30 GPM (19-114 LPM)
ACCURACY	+/- 2% of reading	+/- 2% of reading
PRESSURE RATING	50 PSI (3.4 bar)	50 PSI (3.4 bar)
FIELD CALIBRATION	Yes	Yes
INLET/OUTLET SIZES	3/4 in., 1 in. or 1-1/2 in. NPT or BSPP available	3/4 in. or 1-1/2 in. NPT
DISPLAY	Max. Batch total is 4-digits Cumulative total is 8-digits	Max. Batch total is 4-digits Cumulative total is 8-digits
UNIQUE FEATURE	Large, easy-to-read display with twist knob reset.	Housing is nickle plated with Fluorocarbon seals and stainless steel hardware.
USE WITH	Gasoline, Gasoline/Ethanol blends at levels designated as "gasohol" (E10 maximum), diesel and kerosene.	
APPROVALS	U.L. Listed on NPT models.	U.L. Listed on NPT models.
WARRANTY	2 Year	2 Year

DIGITAL FUEL METERS

CHOOSING AN ELECTRONIC DIGITAL METER

When choosing a GPI Electronic Digital Meter start by asking how the meter will be used. Consider the application and fluid compatibility to determine the best meter for you. These meters are compact and lightweight, just what you need at the end of a fuel hose before the nozzle.



METER SPECS



“ Look for the red label! ”



“ Look for the silver label! ”

MODEL	01A SERIES	03A SERIES
PART NUMBER	113255-1 (1 in. NPT, gallons) 113255-2 (1 in. NPT, litres) 113255-3 (1 in. ISO, litres) 113255-12 (1 in. BSPP, litres)	113900-9500 (1 in. NPT, gallons & litres)* 113900-9501 (1 in. NPT, gallons & litres) 113900-9502 (2 in. NPT, gallons & litres) * Accuracy on this model can vary up to ±5% depending on installation and fluid type.
CONSTRUCTION & TYPE	Aluminum - Turbine Meter	Aluminum - Turbine Meter
GALLON & LITRE MODELS	Order gallon or litre model.	Comes with gallon and litre display.
FLOW RANGE	3-30 GPM (10-100 LPM)	0.3-3 GPM (1-11 LPM) – 113900-9500 3-50 GPM (11-190 LPM) – 113900-9501 30-300 GPM (114-1,135 LPM) – 113900-9502
POWERED BY	Two alkaline AAA batteries (Average 5-year use)†	Two lithium batteries (Average 5-year use)†
ACCURACY	+/- 5.0% of reading	+/- 1.5% of reading
PRESSURE RATING	300 PSI	300 PSI
FIELD CALIBRATION	No	Yes
INLET/OUTLET SIZES	1 in. NPT w/3/4 in. reducer fittings included	1 in. and 2 in. NPT
DISPLAY	Max. Batch Total is 4-digits	Max. Batch Total is 6-digits
UNIQUE FEATURE	Weighs just 12 oz. to mount at the hose end.	Provides both Batch and Cumulative totals. Can also be mounted at hose end.
USE WITH	Gasoline (up to 15% alcohol blends such as E15), diesel fuel (up to 20% biodiesel blends such as B20), biodiesel (B100) and kerosene. Do not use with water or chemicals.	
APPROVALS	FM Approved as Intrinsically Safe for Class I, Division 1, Group D and CE on litre models. BSPP Model only includes CE.	FM Approved as Intrinsically Safe for Class I, Division 1 Groups A thru G. U.L. classified to Canadian Standards. ATEX-ANNEX VIII. CE.
WARRANTY	2 Year	1 Year

WHY GPI?

NEW DIGITAL DR 5-30

The *NEW* DR 5-30 METER - Versatile & Easy to Use

NEW



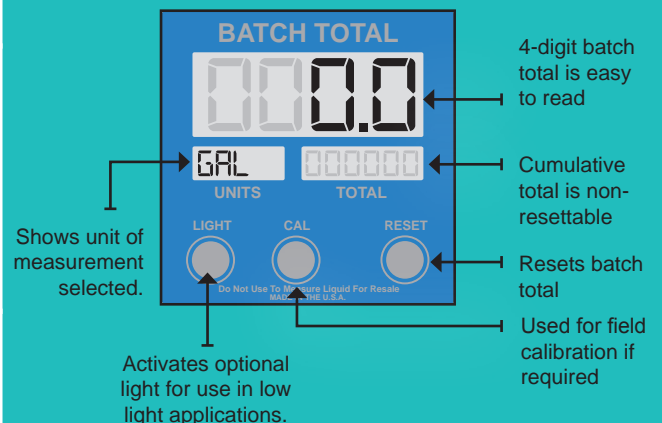
(Front)

MODEL	DR 5-30
PART NUMBER	126300-11 (3/4" NPT) 126300-12 (1" NPT) 126300-13 (1 1/2" NPT) 126300-14 (3/4" BSPP) 126300-15 (1" BSPP) 126300-16 (1 1/2" BSPP)
CONSTRUCTION & TYPE	Aluminum - Nutating Disk
GALLON & LITRE MODELS	Yes
UNITS OF MEASURE	Standard Selectable Units: Barrels (42g), Imperial Gallons, Litres, Ounces, Pints, Quarts and US Gallons Special Order Units: Cubic Centimeters, Cubic Feet and Cubic Meters
FLOW RANGE	5-30 GPM (19-114 LPM)
POWERED BY	Energizer® Lithium Batteries only. Requires (4) AA batteries. (Average 2-4 year life depending on backlight use.)
ACCURACY	+/- 2.00% Factory Calibration +/- 1.00% Field Calibration
PRESSURE RATING	50 PSI
FIELD CALIBRATION	Yes
INLET/OUTLET SIZES	3/4", 1" or 1 1/2"
DISPLAY	Max. Batch total is 4-digits Cumulative total is 6-digits
UNIQUE FEATURE	Provides an open collector signal to a customer supplied remote device.
USE WITH	Gasoline (alcohol blends E15), diesel fuel and kerosene. Do not use with water or chemicals.
APPROVALS	U.L. 913, Intrinsically Safe for Class I, Division 1, Group D. U.L. 25, Meters for Flammable and Combustible Liquids.
WARRANTY	2 Year



(Back)




Fittings rotate easily
(top & base of meter)



OIL PUMPS

CHOOSING A GPI OIL PUMP




GPI Oil Pumps are specifically designed for use with high viscosity fluids. These weatherproof pumps will give you years of service. Consider the viscosity of the fluid being pumped and the temperature range when choosing the best oil

 <p>PUMP SPECS</p>		
MODEL	L 5016*	P-200-2UR
PART NUMBER	142100-03	118000-9
VOLTAGE & TYPE	12-volt DC Aluminum Housing - Gerotor Gear	12-volt DC Molded Plastic Housing - Gear
FLOWRATE	Up to 16 QPM (15 LPM)	Up to 8 GPM (30 LPM)
DUTY CYCLE	30 min. On / 30 min. Off	30 min. On / 30 min. Off
POWER CORD	Minimum Gauge: 10/3 (not supplied) Do not exceed 15 ft. of cord.	15 ft. (4.6m) of 10/3 cord.
NOZZLE	3/4 in. Ball Valve Nozzle	1 in. Ball Valve Nozzle
INLET/OUTLET SIZE	1 in. / 3/4 in.	1 in. / 1 in.
SUCTION PIPE	Two-piece	Adjustable to 40 in.
HOSE	8 ft. (2.5m) x 3/4 in.	12 ft. (3.7m) x 1 in.
MOTOR PROTECTION	Requires a 50 amp automotive-type fuse. (not supplied)	25 amp Inline Fuse (supplied)
UNIQUE FEATURE	Lightweight and suitable for waste oil.	Built-in handle with convenient Spin Collar for easy installation.
USE WITH	Oil (up to 90W), waste oil, hydraulic fluid, antifreeze and non-flammable oil-based solvents.	Thin to medium lubricants up to 30W oil. Do not use with gasoline or diesel fuel.
APPROVALS	Motor is U.L. Recognized Component and CSA Certified.	CSA Certified
WARRANTY	1 Year	2 Year

WHY GPI?

GPI OFFERS PRODUCT TRAINING, PLANOGRAM AND INVENTORY MANAGEMENT ASSISTANCE.





pump for your application. Contact GPI Customer Service for information on our Portable Cart (#142102-1) for these oil pumps * which can be found on page 37 of this catalog under "Accessories."

GPI PUMP SPECS	LIGHTWEIGHT AND EASY TO MOVE		
			
MODEL	L 5116*	L 5132*	PA-200-2UR
PART NUMBER	142100-01	142100-02	118003-11
VOLTAGE & TYPE	115/230 -volt AC - Aluminum Housing - Gerotor Gear	115/230 -volt AC - Aluminum Housing - Gerotor Gear	115-volt AC - Molded Plastic Housing - Gear
FLOWRATE	Up to 16 QPM (15 LPM)	Up to 32 QPM (30 LPM)	Up to 8 GPM (30 LPM)
DUTY CYCLE	30 min. On / 30 min. Off	30 min. On / 30 min. Off	30 min. On / 30 min. Off
POWER CORD	36 in. three-prong Grounded Plug	36 in. three-prong Grounded Plug	12 in. three-prong Power Connector
NOZZLE	3/4 in. Ball Valve Type	3/4 in. Ball Valve Type	1 in. Ball Valve Type
INLET/OUTLET SIZE	1 in. / 3/4 in.	1 in. / 3/4 in.	1 in. / 1 in.
SUCTION PIPE	Two-piece	Two-piece	Adjustable to 40 in.
HOSE	8 ft. (2.5m) x 3/4 in.	8 ft. (2.5m) x 3/4 in.	12 ft. (3.7m) x 1 in.
MOTOR PROTECTION	Thermally Protected	Thermally Protected	Thermally Protected
UNIQUE FEATURE	Lightweight and suitable for waste oil.	Lightweight and suitable for waste oil.	Built-in handle for portability and ease of use.
USE WITH	Oil (up to 90W), waste oil, hydraulic fluid, antifreeze and non-flammable oil-based solvents.	Oil (up to 90W), waste oil, hydraulic fluid, antifreeze and non-flammable oil-based solvents.	Petroleum based products, thin to medium lubricants and oil (up to 30W)
APPROVALS	Motor is U.L. Recognized Component and CSA Certified.	Motor is U.L. Recognized Component and CSA Certified.	CSA Certified
WARRANTY	1 Year	1 Year	2 Year

OIL METERS

CHOOSING A GPI OIL METER

GPI Oil Meters come in a variety of styles. The chart below shows both mechanical and electronic digital meters. Match your application to the specifications found here.

 METER SPECS			
MODEL	LM50D	LM50M	LM50P
PART NUMBER	LM50DN (1/2 in. NPT) LM50DB (1/2 in. BSPT)	LM50MNG (1/2 in. NPT, gallons) LM50MBG (1/2 in. BSPT, gallons) LM50MNL (1/2 in. NPT, litres) LM50MBL (1/2 in. BSPT, litres) LM50MNQ (1/2 in. NPT, quarts) LM50MBQ (1/2 in. BSPT, quarts)	LM50PN (1/2 in. NPT) LM50PB (1/2 in. BSPT)
CONSTRUCTION & TYPE	Aluminum - Oval Gear	Aluminum - Oval Gear	Aluminum - Oval Gear
GALLON & LITRE MODELS	Comes with gallon and litre display.	Order gallon, litre or quart models.	Comes with gallon and litre output.
FLOW RANGE	0.26-7.8 GPM (1-30 LPM) @ 5-1,000 cps	0.26-7.8 GPM (1-30 LPM) @ 5-1,000 cps	0.26-7.8 GPM (1-30 LPM) @ 5-1,000 cps
POWERED BY	Two AAA alkaline batteries (Average 2-Year use) †	N/A	N/A
ACCURACY	+/- 0.5% of reading	+/- 1% of reading	+/- 0.5% of reading
PRESSURE RATING	1500 PSI	1500 PSI	1500 PSI
FIELD CALIBRATION	No	No	No
INLET/OUTLET SIZES	1/2 in. NPT or BSPT	1/2 in. NPT or BSPT	1/2 in. NPT or BSPT
DISPLAY	6-digit Display	7-digit Display	None
UNIQUE FEATURE	Easy-to-read digital display with protective boot.	Mechanical (requires no batteries) high pressure meter.	Provides pulse output with both Reed Switch and Hall Effect output.
USE WITH	Engine oils, transmission fluid (maximum viscosity SAE 140) or antifreeze. Do not use with excessively dirty fluids or fluids with particles without installing a filter.		
APPROVALS	None	None	None
WARRANTY	1 Year	1 Year	1 Year

WHY GPI?

**OUR PRODUCT LINE
INCLUDES METERS FOR
FUEL, OIL AND WATER.**

GPI Customer Service can recommend the right product for your needs.



METER SPECS



MODEL	LM-200	LM-300
PART NUMBER	111316-01 (1 in. NPT inlet/outlet) 111316-04 (3/4 in. NPT inlet/outlet)	120000-28 (1 in. NPT inlet/outlet) Bushings included.
CONSTRUCTION & TYPE	Aluminum - Mechanical, Nutating Disc	PBT Polyester - Nutating Disc
FLOWRATE TYPE	Quarts	Gallons, Quarts, Litres & Ounces
FLOW RANGE	16-80 QPM (15-76 LPM)	8-80 QPM (7.5-76 LPM)
POWERED BY	N/A	One alkaline 9 Volt battery (Average 3-Year use) †
ACCURACY	+/- 2% of reading	+/- 2% of reading
PRESSURE RATING	50 PSI	50 PSI
FIELD CALIBRATION	Yes	Yes
INLET/OUTLET SIZES	LM-200-Q8N 1 in. NPT LM-200-Q6N 3/4 in. NPT	1 in. NPT (3/4 in. bushing included)
DISPLAY	4-digit Display	6-digit Display
UNIQUE FEATURE	Internal strainer helps reduce maintenance.	Two calibration curves set at factory with a third field calibration curve available.
USE WITH	Hydraulic fluid and up to 30W oil. Do not use with flammable fluids.	Motor oil, gear oil, hydraulic oil, antifreeze, ATF and waste oil. Do not use with flammable fluids or antifreeze that exceeds 50% water.
APPROVALS	None	None
WARRANTY	1 Year	1 Year

CHEMICAL PUMPS

CHOOSING A GPI CHEMICAL PUMP

GPI 12-volt and 115-volt Chemical Pumps are designed for use with today's most common herbicides. Pump materials ensure years of dependable service from



**PUMP
SPECS**



MODEL	P-120H	P-200H
PART NUMBER	118000-1 (includes 2-in. union ring)	118000-2 (includes 2-in. union ring) 118602-10 (comes as a Tote-a-Pump assembly)
VOLTAGE & TYPE	12-volt DC - Molded Plastic Housing - Gear	12-volt DC - Molded Plastic Housing - Gear
FLOWRATE	Up to 12 GPM (45 LPM)	Up to 8 GPM (30 LPM)
DUTY CYCLE	30 min. On / 30 min. Off (cycle will vary with viscosity and temperature)	30 min. On / 30 min. Off (cycle will vary with viscosity and temperature)
POWER CORD	20 ft. (6.1m)	15 ft. (4.6m)
NOZZLE	Order separately (kit available)	Order separately (kit available)
INLET/OUTLET SIZE	1 in. / 1 in.	1 in. / 1 in.
SUCTION PIPE	Order separately (kit available)	Order separately (kit available)
HOSE	Order separately (kit available)	Order separately (kit available)
MOTOR PROTECTION	20 amp inline fuse (supplied)	25 amp inline fuse (supplied)
UNIQUE FEATURE	Built-in handle with convenient spin collar for easy installation.	The pump of choice for thicker chemicals.
USE WITH	Thin Chemicals (0 to 10 centipoise viscosity) Do not use with gasoline, diesel fuel or micro-encapsulated chemicals.	Medium / Thick Chemicals (10 to 450 centipoise viscosity) Do not use with gasoline, diesel fuel or micro-encapsulated chemicals.
APPROVALS	CSA Certified	CSA Certified
WARRANTY	2 Year	2 Year

your GPI Chemical Pump. Typical applications include agriculture, hobby farm and landscape or lawn and garden services. Chemical compatibility is critical when choosing the best pump for the job.



**PUMP
SPECS**



MODEL	PA-120H	PA-200H
PART NUMBER	118003-1 (includes 2-in. union ring) 118602-11 (comes as a Tote-a-Pump assembly)	118003-2 (includes 2-in. union ring) 118602-12 (comes as a Tote-a-Pump assembly)
VOLTAGE & TYPE	115-volt AC - Molded Plastic Housing - Gear	115-volt AC - Molded Plastic Housing - Gear
FLOWRATE	Up to 12 GPM (45 LPM)	Up to 8 GPM (30 LPM)
DUTY CYCLE	30 min. On / 30 min. Off (Cycle will vary with viscosity and temperature)	30 min. On / 30 min. Off (Cycle will vary with viscosity and temperature)
POWER CORD	Three-prong power connector pigtail	Three-prong power connector pigtail
NOZZLE	Order separately (kit available)	Order separately (kit available)
INLET/OUTLET SIZE	1 in. / 1 in.	1 in. / 1 in.
SUCTION PIPE	Order separately (kit available)	Order separately (kit available)
HOSE	Order separately (kit available)	Order separately (kit available)
MOTOR PROTECTION	Automatic thermal protector & circuit breaker	Automatic thermal protector & circuit breaker
UNIQUE FEATURE	Built-in handle with convenient spin collar for easy installation.	The pump of choice for thicker chemicals.
USE WITH	Thin Chemicals (0 to 10 centipoise viscosity) Do not use with gasoline, diesel fuel or micro-encapsulated chemicals.	Medium / Thick Chemicals (10 to 450 centipoise viscosity) Do not use with gasoline, diesel fuel or micro-encapsulated chemicals.
APPROVALS	CSA Certified	CSA Certified
WARRANTY	2 Year	2 Year

HAND PUMPS FOR CHEMICALS

WHAT'S DIFFERENT ABOUT PUMPING CHEMICALS?

Harsh chemicals require a different kind of pump. Chemicals can damage internal seals and pit the internals of a pump that is not specifically designed for chemicals. Our products are tested inside and out to resist the damage caused by chemicals.



**PUMP
SPECS**

WORLD'S HIGHEST FLOW



**HAND
PUMP**



MODEL	HP-100C-2TC	LP-50
PART NUMBER	114000-11	129000-1
PUMP TYPE	Piston	Lever
FLOWRATE	Up to 50 gallons per 100 strokes.	Up to 1 pint per stroke.
NOZZLE TYPE	Thermoplastic	Molded Acetal Spout
HOSE TYPE	Chemical	None
HOSE SIZE	8 ft. (2.5m) x 3/4 in.	None
TANK FITTING	2 in. NPT	2 in. NPT
INLET/OUTLET SIZE	1 in. / 3/4 in.	N/A
SUCTION PIPE	Adjustable to 40 in.	Adjustable to 36 in.
UNIQUE FEATURE	Pump moves fluid on both push and pull strokes.	Unique design for smooth and easy strokes.
USE WITH	Thin to thick chemicals up to 3,000 centipose viscosity. Do not use with fuel products or water.	Water, petroleum products, agricultural chemicals and diesel exhaust fluid (DEF). Do not use with kerosene, windshield washer fluid or flammable fluids.
APPROVALS	None	None
WARRANTY	2 Year	90 Day

METERS FOR CHEMICALS

CHOOSING A GPI CHEMICAL METER

Today's chemicals require tough meters. GPI's meters are **designed & tested** with the most popular agricultural chemicals in mind. When used as directed, customers will enjoy many years of dependable service from these products.






MODEL	FM-100H	FM-300H
PART NUMBER	111200-7 (1 in. NPT, gallons) 111200-16 (1 in. NPT, litres) 111200-17 (1 in. BSPP, litres)	120000-1 (1 in. NPT, gallons) Canadian customers order 120000-2 (1 in. NPT, litres)
CONSTRUCTION & TYPE	Aluminum - Mechanical Nutating Disc	PBT Polyester - Nutating Disc
GALLON & LITRE MODELS	Order gallon or litre model.	Comes with gallon and litre display.
FLOW RANGE	4-20 GPM (15-75 LPM)	2-20 GPM (7-75 LPM)
POWERED BY	N/A	One alkaline 9 Volt battery (Average 3-Year use) †
ACCURACY	Factory calibration is +/- 2% of reading Field calibration is +/- 1% of reading	Factory calibration is +/- 2% of reading Field calibration is +/- 0.5% of reading
PRESSURE RATING	50 PSI	50 PSI
FIELD CALIBRATION	Yes	Yes
INLET/OUTLET SIZES	1 in.	1 in.
THREAD TYPE	NPT or BSPP depending on model.	NPT
DISPLAY	Keeps both Batch and Cumulative totals. Maximum Batch total is 4-digits.	Electronic display keeps Batch & Cumulative totals. Maximum value is 999,999 (x 100).
UNIQUE FEATURE	Includes built-in strainer.	Mounts easily on hose end, pumps or fluid transfer systems.
USE WITH	Most herbicides and other chemicals compatible with meter materials. Do not use with water.	Fertilizers, oil, pesticides and water. Do not use with gasoline, diesel or flammable liquids.
APPROVALS	None	None
WARRANTY	2 Year	2 Year

WATER METERS

GPI PROVIDES WATER METER OPTIONS

GPI offers three different meters for water. Choose the **TM Meters** when you have a high-volume, water application.

SPECS			
	01N SERIES	03N SERIES	TM SERIES
MODEL	01N SERIES	03N SERIES	TM SERIES
PART NUMBER	113255-4 (1 in. NPT, gallons) 113255-5 (1 in. NPT, litres) 113255-6 (1 in. ISO, litres)	113900-9510 0.3-3 GPM 113900-9511 3-50 GPM	TM050 1/2 in. TM075 3/4 in. TM100 1 in. TM150 1-1/2 in. TM200 2 in. TM300 3 in. TM400 4 in.
CONSTRUCTION & TYPE	Nylon - Electronic Digital	Nylon - Electronic Digital	Schd. 80 PVC - Turbine
DISPLAY	4-digit LCD	6-digit LCD	6-digit LCD
GALLON OR LITRE MODEL	Order gallon or litre model.	Comes with gallon & litre display.	Comes with gallon & litre display.
FLOW RANGE	3-30 GPM (10-100 LPM)	Depends on the model. (see above)	1/2 in. 1-10 GPM 3/4 in. 2-20 GPM 1 in. 5-50 GPM 1-1/2 in. 10-100 GPM 2 in. 20-200 GPM 3 in. 40-400 GPM 4 in. 60-600 GPM
POWERED BY	Two alkaline AAA batteries (Average 5-year use)†	Two lithium batteries (Average 5-year use)†	Two lithium batteries (Average 5-year use)†
ACCURACY	+/- 2.5% of reading	+/- 1.5% of reading	+/- 3.0% of reading
PRESSURE RATING	150 PSI	150 PSI	225 PSI
FIELD CALIBRATION	No	Yes	Yes
INLET/OUTLET SIZES	1 in. NPT or ISO (Female)	1 in. NPT	Specify either Spigot or NPT model. Flange available on 3 and 4 in. models only.
UNIQUE FEATURE	Weighs just 12 oz. to mount at the hose end.	Provides both Batch (single use) and Cumulative totals.	Sturdy construction with easy access to internal parts.
USE WITH	Water	Water or mild chemicals	Water or mild chemicals
APPROVALS	CE on export model only.	CE, FM, U.L. Classified to Canadian Stds. & ATEX ANNEX VIII	CE
WARRANTY	1 Year	1 Year	1 Year

ACCESSORIES

SPARE PARTS, KITS & ACCESSORIES

GPI carries a full line of spare parts and accessories for our pumps and meters.



ITEMS



Automatic Unleaded Nozzle #110121-8

Automatic Diesel Nozzle #110376-01

Automatic Diesel Nozzle (U.L. Listed) #906005-1

PART NO.	DESCRIPTION
110376-01	Automatic Diesel Nozzle - 1 in. NPT, for use with diesel fuel only. Designed for pumps with a minimum flowrate of 20 GPM
906005-1	Automatic Diesel Nozzle (U.L. Listed) - 1 in. curved spout for M-3025 & M-3130 pump
906004-98	Automatic Leaded Nozzle (U.L. Listed) - 3/4 in. NPT, curved spout for M-3120
110121-8	Automatic Unleaded Nozzle - 3/4 in. NPT, straight spout for M-150S, M-180S, M-240S and M-1115S Series
906001-6	Manual Leaded Nozzle - 3/4 in. NPT, straight spout for M-3120 pump
110155-4	Manual Leaded Nozzle - 1 in. NPT with swivel for M-180S (straight spout)
906001-10	Manual Leaded Nozzle - 1 in. NPT, straight spout for M-3130 pump
110155-1	Manual Unleaded Nozzle - 3/4 in. NPT with swivel for M-150S, M-240S and M-1115S Series (straight spout)
110538-01	B100 Fuel Hose Assembly (U.L. Listed) - 3/4 in. x 14 ft. grounded hose with spring support, P.O.P.
110539-01	B100 Fuel Hose Assembly (U.L. Listed) - 1 in. x 14 ft. grounded hose with spring support, P.O.P.
110187-1	Electric Gear Pump Hose Assembly - Buna-N, 3/4 in. x 12 ft. (3.7 m) with static wire
110523-1	Fuel Hose Kit - 3/4 in. x 12 ft. (3.7 m) with static wire, P.O.P.
114504-3	Hose and Nozzle Kit for HP-100 and RP-10 Series
133262-05	Fuel Hose Assembly - 1 in. x 20 ft.
14120107	Fuel Hose Assembly (U.L. Listed) - 3/4 in. x 18 ft.
121036-1	Fuel Hose Assembly (U.L. Listed) - 1 in. NPT x 12 ft. with spring



Manual Unleaded Nozzle #110155-1

HOSES



Fuel Hose Kit #110523-1

ACCESSORIES



ITEMS



Hose Assembly #110049-07



Aluminum Adapter #906005-67



Filter Installation Kit #110528-01

PART NO. DESCRIPTION

HOSES
(cont'd.)

110049-07	Hose Assembly (U.L. Listed) - 3/4 in. x 20 ft. with spring support
110529-01	Hose Kit - 3/4 in. x 14 ft. (4.2 m) with spring and static wire, P.O.P.
110532-01	Build-your-own Hose Kit - 3/4 in. x 14 ft. (4.2 m) with spring and static wire, P.O.P.
110529-02	Hose Kit - 1 in. x 12 ft. (3.7 m) with static wire, P.O.P.
110529-03	Hose Kit - 1 in. x 14 ft. (4.2 m) with spring and static wire, P.O.P.

FILTERS & FILTER ADAPTERS

906005-67	Aluminum Adapter, 1 in. NPT for 30 and 40 GPM, 1-1/2 - 16 UNF
906006-52	Cast Iron Adapter, 3/4 in. NPT for 18 GPM - 14 UNF
129420-01	Cast Iron Adapter, 1 in. NPT for 18 GPM, 1-3/8 - 12 UNF
906004-88	Cast Iron Adapter, 1 in. NPT for 18 GPM, 1 - 12 UNF
110528-01	Filter Installation Kit includes one pipe nipple 3/4 in. x 4 in., two pipe bushings and a roll of pipe thread tape in a blister package
133527-01	Filter Kit, includes 3/4 in. NPT cast iron adapter, 10 micron filter and 3/4 in. x 4 in. nipple
133537-01	Filter Kit includes 1" NPT, 30 micron particulate filter, cast aluminum filter adapter with 1" inlet/outlet, 1" NPT x 7" galvanized pipe nipple, 1" NPT x 3" galvanized pipe nipple, 1" NPT x 1.5" (Close) galvanized pipe nipple, 1" NPT galvanized street elbow and 1" NPT galvanized elbow.
129922-01	Hydraulic Filter - 10 micron
129923-01	Hydraulic Filter - 25 micron



Filter Kit #133527-01



Cast Iron Adapter #906006-52



Filter Kit #133537-01

WHY GPI?

GPI PRODUCTS HAVE FIELD REPLACEABLE PARTS



ITEMS



Particulate Filter
#129300-01

Battery Clamps - Heavy Duty
#133263-01

Battery Clamp Kit
#110527-1

Adjustable Suction Pipe
#110100-1

PART NO.	DESCRIPTION
----------	-------------

FILTERS & FILTER ADAPTERS (Continued)

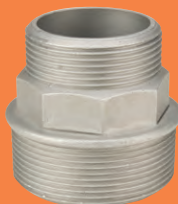
129300-01	Particulate Filter (18 GPM/67 LPM) 10 micron, 1 - 12 UNF
129340-02	Particulate Filter (18 GPM/67 LPM) 10 micron, 1 - 12 UNF. Includes Draincock
129340-01	Particulate Filter (18 GPM/67 LPM) 10 micron, 1-3/8 - 12 UNF. Includes Draincock
129320-01	Particulate Filter (30 GPM/113 LPM) 10 micron, 1-1/2 - 16 UNF
129300-02	Water & Particulate Filter (18 GPM/67 LPM) 10 micron, 1 - 12 UNF
129320-02	Water & Particulate Filter (30 GPM/113 LPM) 10 micron, 1-1/2 - 16 UNF
129340-04	Water & Particulate Filter (Bio-Tek®) (25 GPM/95 LPM) 2 micron, 1 - 12 UNF
129340-05	Water & Particulate Filter (Bio-Tek®) (40 GPM / 151 LPM) 2 micron, 1-1/2 - 16 UNF

PUMP ACCESSORIES

110100-1	Adjustable Suction Pipe, plastic, 22 to 40 in. (56 to 102 cm)
110527-1	Battery Clamp Kit
133263-01	Battery Clamps - Heavy Duty
110909-1	Bung Adapter Kit includes 2 in. NPT bung adapter
133511-01	Cabinet Base Assembly
142102-01	Cart fits any of the three GPI Oil Pumps. Kit includes a portable, rolling cart, handle with grip, 3/4 in. x 12 ft. hose and suction wand. Hitch and clevis pins are included.
110902-1	Nozzle Cover Kit for M-150-EM pump



Cart only -
hose not
included



Bung Adapter Kit #110909-1



Cabinet Base Assembly #133511-01

Shown
here with
#133604-51
& #121512-4



Water & Particulate Filter #129320-02

Oil Pump Cart #142102-01

ACCESSORIES



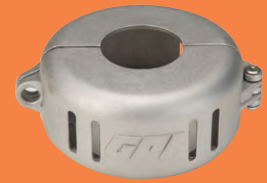
ITEMS



Power Cord Kit #110929-01



Security Collar - Plastic #11080801



Security Collar - Aluminum #11081801

**PUMP
ACCESSORIES**
(Continued)

PART NO.	DESCRIPTION
133170-01	Pedestal Assembly, NPT
110929-01	Power Cord Kit, 22 ft., 12/2 AWG (EZ-8, M-150, M-180, M-240 DC models only)
906001-4	Pressure Vent Cap Assembly
906004-62	Replacement Cap for Vent Cap Assembly
11080801	Security Collar - Plastic
11081801	Security Collar - Aluminum
110905-1	Shear Key Kit includes shear key for any gear pump
133533-01	Shelf Kit for the MR 5-30 Remote Dispenser unit
115527-2	Suction Pipe Extension Kit, 15 in. (38 cm) for suction pipe. 55 in. (140 cm) total length
110531-01	Switch Kit (Fits M-120, M-150, M-1100, M-150S, M-180S, M-240S models)
121231-1	Tank Adapter, 2 in. x 1 in. FNPT
121231-5	Tank Adapter, 2 in. x 1-1/4 in. FNPT
13353302	Vacuum Breaker Kit for the M-3120 Electric Pump (20 GPM Pump)
13353303	Vacuum Breaker Kit for the M-3130 Electric Pump (30 GPM Pump)
133514-01	Vapor Recover Kit for M-3120 & M-3130 pumps
133515-01	Vapor Recovery Kit for Cabinet model



Switch Kit #110531-01



Tank Adapter #121231-5



Pressure Vent Cap Assembly #906001-4

WHY GPI?

GPI OFFERS A FULL LINE OF PARTS AND ACCESSORIES IF YOU DAMAGE OR LOSE A PART.



ITEMS



Shaft Seal Kit #133503-1



Overhaul Kit #110504-1

PART NO.	DESCRIPTION
----------	-------------

KITS

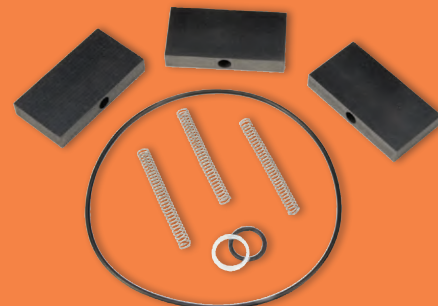
110906-03	B100 Shaft Seal Conversion Kit for GPI Gear Pumps. Requires min. operating temp. of 40° for B100.
133503-02	B100 Shaft Seal Kit for GPI Vane Pumps. Requires min. operating temp. of 40° for B100
110504-1	Conversion & Overhaul Kit includes two gears, the drive key and replacement seals for the gear cover, motor shaft (use motor shaft seal to convert existing pump to B100 compatible), poppet, strainer and switch coverplate.
13750005	Overhaul Kit for EZ-8 includes motor shaft key, two gears and replacement seals
114505-2	Overhaul Kit for HP-100 Pump Hand includes piston ring, three seals, packing seals and liner.
123503-1	Overhaul Kit for RP-10 Rotary Hand Pump includes vanes, springs, O-rings and gasket
133504-1	Seal Kit includes four replacement seals
133503-1	Shaft Seal Kit includes retaining ring, shaft seal and spacer washer
133503-04	Cold Weather Shaft Seal Kit
133501-1	Vane Kit includes shaft key, eight 1.25 in. vanes and one seal
133502-1	Vane Kit includes shaft key, eight 2 in. vanes and one seal

HERBICIDE KIT

111502-2	Hose, Ball Valve Nozzle and Adjustable Suction Pipe for 2 in. bung
----------	--



Herbicide Kit #111502-2



Overhaul Kit for RP-10 #123503-1

ACCESSORIES



ITEMS



Hose and Nozzle Kit for Cabinet Model Vane Pump #121512-1



20 GPM Pump #133200-10

Shown here with Vacuum Breaker Kit #13353302

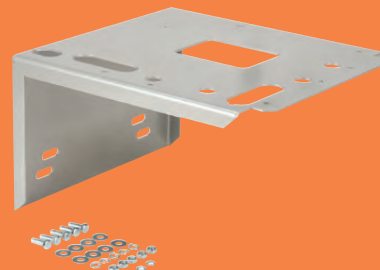
PART NO.	DESCRIPTION
133511-01	Cabinet Base
121512-1	Hose and Nozzle Kit for Cabinet Model Vane Pump with Manual Leaded Nozzle with NPT threads and 3/4 in. x 12 ft. (3.7 m) hose
121512-2	Hose and Nozzle Kit for Cabinet Model Vane Pump with Manual Unleaded Nozzle with NPT threads and 3/4 in. x 12 ft. (3.7 m) hose
121512-3	Hose and Nozzle Kit for Cabinet Model Vane Pump with Automatic Unleaded Nozzle with NPT threads and 3/4 in. x 12 ft. (3.7 m) hose
121512-4	Hose and Nozzle Kit for Cabinet Model Vane Pump with Automatic Leaded Nozzle with NPT threads and 3/4 in. x 12 ft. (3.7 m) hose
133170-01	Pedestal Kit, includes base, 2" x 24" pipe and 2" NPT coupler.
126517-05	Pulser Kit for MR 5-30, 115-volt AC
133515-01	Pump Vapor Recovery Kit
133200-10	20 GPM Pump
133220-05	30 GPM Pump
133511-01	Cabinet Base - Free-standing
133533-01	Mounting Shelf Kit
133514-01	Pump Vapor Recovery Kit
13353302	Vacuum Breaker Kit for M-3120
13353303	Vacuum Breaker Kit for M-3130

CABINET MODEL ACCESSORIES

REMOTE DISPENSER PUMPS & BREAKER KITS



Shown here with Remote Dispenser.



Mounting Shelf Kit #133533-01



Pedestal Kit #133170-01

Cabinet Base - Free-standing #133511-01

WHY GPI?

OUR CUSTOMER SERVICE DEPARTMENT IS TRAINED TO GIVE YOU THE BEST ANSWER TO YOUR QUESTIONS.



ITEMS

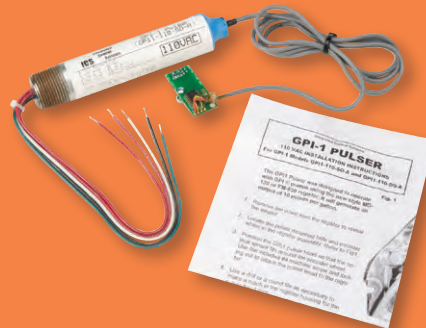


Battery Replacement Kit #113520-1

Computer Cover - Dual #906004-86

METER ACCESSORIES

PART NO.	DESCRIPTION
113520-1	Battery Replacement Kit for 03 meter - includes two lithium batteries
126142-01	Bracket for Western Electronics Pulser Kit
116000-1	Calibration Container - 5 gallon (Do not use for gasoline.)
906004-85	Computer Cover - Single Access Port
906004-86	Computer Cover - Dual Access Port
126530-09	FM-530 Series Seal Kit includes two fitting O-rings and a housing O-ring
111506-2	FM-100 & FM-200 Series Overhaul Kit includes replacement seals and O-rings
111501-1	FM-100 & FM-200 Series Meter Mount Kit includes 3/4 in. nipple & 1 in. to 3/4 in. bushings
111010-1	FM-100 Series Filter Element
901002-52	Meter O-ring for sealing the computer to the turbine housing. Fits Meter Models 01 and 03
126517-01	Pulser Kit for MD-130 or FM-530, 115-volt AC
126517-05	Pulser Kit for MR 5-30, 115-volt AC



Calibration Container - 5 gallon #116000-1


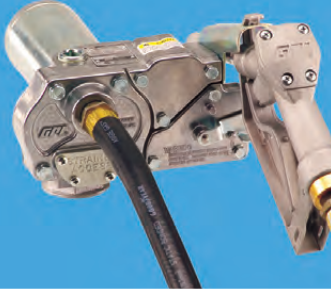

Pulser Kit for MR 5-30 #126517-01

FM-100 Series Filter Element #111010-1

REBUILT PRODUCTS

GPI SELLS REBUILT PRODUCTS

All GPI Rebuilt Products have been thoroughly evaluated based on our strict quality standards. Rebuilt pumps always contain new gears, seals and motors. GPI replaces other components as necessary when we refurbish and test the products. GPI Rebuilt Products include new accessories like the nozzle, power cord, suction pipe and hardware kits.

 <p>PUMP SPECS</p>			
MODEL	M-150S-EM	M-150S-MU or -AU	M-1115S-MU
PART NUMBER	R110000-107	R110000-99 / R110000-100	R110000-81
VOLTAGE & TYPE	12-volt DC - Gear	12-volt DC - Gear	115-volt AC - Gear
FLOWRATE	Up to 15 GPM (57 LPM)	Up to 15 GPM (57 LPM)	Up to 12 GPM (45 LPM)
DUTY CYCLE	30 min. On / 30 min. Off	30 min. On / 30 min. Off	30 min. On / 30 min. Off
POWER CORD	18 ft. (5.5m) x 12/2 AWG	18 ft. (5.5m) x 12/2 AWG	None
NOZZLE	Manual Shutoff	Manual Shutoff (-99) Automatic Shutoff (-100)	Manual Shutoff
INLET/OUTLET SIZE	1 in. / 3/4 in.	1 in. / 3/4 in.	1 in. / 3/4 in.
SUCTION PIPE	Two-piece, Trim-to-fit	Adjustable to 40 in.	Adjustable to 40 in.
HOSE	10 ft. (3.0m) x 3/4 in.	12 ft. (3.7m) x 3/4 in.	12 ft. (3.7m) x 3/4 in.
MOTOR PROTECTION	Circuit breaker for long life.	Circuit breaker for long life.	Internal auxiliary temperature-limiting device & circuit breaker.
UNIQUE FEATURE	Economy model with direct tank mounting.	Convenient Spin Collar for easy installation.	Designed for stationary locations in fleet, agriculture or light industrial applications.
USE WITH	Gasoline (alcohol blends E15), diesel fuel and kerosene.	Gasoline (alcohol blends E15), diesel fuel and kerosene.	Gasoline (alcohol blends E15), diesel fuel and kerosene.
APPROVALS	U.L. Listed Motor. CSA Certified Flammable Liquid Dispenser.	U.L. Listed Motor. CSA Certified Flammable Liquid Dispenser.	Pump and Motor are U.L. Listed and CSA Certified.
WARRANTY	1 Year	1 Year	1 Year

TOP 5 REASONS TO SELECT



BETTER PRODUCTS
NO OTHER PRODUCT LINE STACKS UP.

1



EXPERIENCED CUSTOMER SERVICE TEAM

2



2-YEAR WARRANTY
ON MOST PRODUCTS WE BUILD
(OVER THE COUNTER EXCHANGE)

3



DESIGNED & MANUFACTURED IN THE U.S.A.

4



ATTENTIVE RESPECT & APPRECIATION FOR OUR CUSTOMERS

5



PUMP SPECS







MODEL	HP-100-NUL
PART NUMBER	R114000-05
PUMP TYPE	Hand Pump - Piston
FLOWRATE	Up to 50 gallons per 100 strokes.
NOZZLE TYPE	Thermoplastic
HOSE TYPE	Buna-N®
HOSE SIZE	8 ft. (2.5m) x 3/4 in.
TANK FITTING	2 in. NPT
INLET/OUTLET SIZE	1 in. / 3/4 in.
SUCTION PIPE	Adjustable to 40 in.
UNIQUE FEATURE	Premium pump moves fluid on both push and pull strokes. Lockable.
USE WITH	Diesel fuel (biodeisel blends B20), gasoline (alcohol blends E15), hydraulic fluid, kerosene and oil (up to 30W).
APPROVALS	None
WARRANTY	1 Year

SPECIALTY PRODUCTS

DEF PUMPS, METERS & ACCESSORIES

GPI offers a variety of products designed specifically for use with DEF. Our pumps are built with rugged plastic components. DEF meters are nylon and PBT polyester .

DEF PUMPS

 PUMP SPECS			
MODEL	LP-50	P-120DEF-2TC-PO	PA-120DEF-2TC-PO
PART NUMBER	129000-1	118450-02, NPT 118450-22, BSPP	118450-01, NPT 118450-21, BSPP
VOLTAGE & TYPE	Lever Hand Pump	Electric - 12-volt DC	Electric - 115-volt AC
FLOWRATE	Up to 1 pint per stroke.	12 GPM (45 LPM)	12 GPM (45 LPM)
DUTY CYCLE	N/A	30 min. On / 30 min. Off (Cycle will vary with viscosity and temperature.)	30 min. On / 30 min. Off (Cycle will vary with viscosity and temperature.)
POWER CORD	N/A	14 ga., 20 ft. (6.1m)	18 ga., 3 wire, grounded plug equipped with circuit breaker
NOZZLE	Molded Acetal spout	Order separately.	Order separately.
INLET/OUTLET SIZE	2 in. NPT tank fitting	1 in./1 in. with 2 in. NPS tank mount and 3/4" bushing	1 in./1 in. with 2 in. NPS tank mount and 3/4" bushing
SUCTION PIPE	Expandable to fit drums to 36 in. deep.	Adjustable	Adjustable
HOSE	N/A	Order separately.	Order separately.
UNIQUE FEATURE	Unique design for smooth and easy strokes. Design eliminate seal leakage.	Proven 12-volt pump, specifically designed for DEF. (Includes battery clamps.)	Proven 115-volt pump, specifically designed for DEF.
APPROVALS	None	CSA Certified	CSA Certified
WARRANTY	90 Days	2 Year	2 Year

DEF METERS



**METER
SPECS**



MODEL	01N31GM-U	FM-300U
PART NUMBER	113255-24	120000-32
CONSTRUCTION & TYPE	Nylon digital turbine	PBT Polyester - Electronic Disc
FLOW RANGE	3-30 GPM (10-100 LPM)	2-20 GPM (7-75 LPM)
POWERED BY	Two alkaline AAA batteries (Average 5-year use) †	One alkaline 9 Volt battery (Average 3-year use) †
ACCURACY	± 5.0 of reading	± 2.0 of reading
PRESSURE RATING	150 PSI	50 PSI
INLET/OUTLET SIZES	1 inch	1 inch
THREAD TYPE	NPT	NPT
POWERED BY	Two AAA replaceable batteries	9 Volt alkaline battery
WARRANTY	1 Year	2 Year

DEF ACCESSORIES

	PART NO.	DESCRIPTION
DEF HOSE	150200-01	3/4 in. NPT X 3/4 in. X 12 ft.
	150200-21	3/4 in. BSPP X 3/4 X 12 ft. includes o-ring
	150200-22	3/4 in. NPT X BARB X 12 ft.
	150200-23	3/4 in. BSPP X BARB X 12 ft. includes o-ring
DEF NOZZLE	906008-01	3/4 in. BSPP automatic shutoff nozzle
	906006-83	3/4 in. NPT automatic shutoff nozzle
	906008-02	3/4 in. Hose Barb manual nozzle

SPECIALTY PRODUCTS

ETHANOL E85 PRODUCTS



E85 PUMPS

GPI Offers two pumps specifically designed for use with E85.

Choose the **M-3120-E85-PO** pump with a one-year warranty, or the nickel plated **M-3120-E85NP-PO** pump with a two-year warranty.

Both motors are U.L. Listed to U.S. and Canadian safety standards.

MODEL	M-3120-E85-PUMP	M-3120-E85NP-PUMP
PART NUMBER	133720-01	133740-01
TYPE & VOLTAGE	Electric Vane - 115-volt AC	Electric Vane - 115-volt AC
FLOW RANGE	20 GPM (76 LPM)	20 GPM (76 LPM)
DUTY CYCLE	30 min. On / 30 min. Off	30 min. On / 30 min. Off
POWER CORD	None	None
HOSE & NOZZLE	Order separately.	Order separately.
PUMP HOUSING	Cast Iron	Nickle Plated
INLET/OUTLET	1 inch	1 inch
SUCTION PIPE	None	None
WARRANTY	1 Year	2 Year




Both pumps are 115-volt AC Vane Pumps and deliver 20 GPM (75 LPM).





SPECIALTY PRODUCTS

METHANOL PUMPS & METERS

METHANOL PUMPS

 SPECS			
	MODEL	EZ-8-METHANOL	M-150S-METHANOL
PART NUMBER	137700-01	110700-01	110700-04
CONSTRUCTION & TYPE	Electric Gear - 12-volt DC	Electric Gear - 12-volt DC	Electric Gear - 115-volt AC
FLOW RANGE	8 GPM (30 LPM)	15 GPM (57 LPM)	12 GPM (45 LPM)
DUTY CYCLE	15 min. On / 30 min. Off	30 min. On / 30 min. Off	30 min. On / 30 min. Off
HOSE & NOZZLE	Order separately.	Order separately.	Order separately.
APPROVALS	Motor is U.L. Listed to U.S. & Canadian Safety Standards.	Motor is U.L. Listed to U.S. & Canadian Safety Standards.	Motor is U.L. Listed to U.S. & Canadian Safety Standards.
WARRANTY	2 Year	2 Year	2 Year

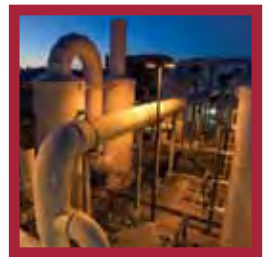
METHANOL METERS

SPECS	 "Look for the red label!"	 "Look for the silver label!"
	MODEL	01A31GMME
PART NUMBER	113700-02	113700-01
CONSTRUCTION & TYPE	Aluminum Turbine Meter with nickel plating	Aluminum Turbine Meter with nickel plating
FLOW RANGE	3-30 GPM (10-100 LPM)	3-50 GPM (10-190 LPM)
POWERED BY	Two alkaline AAA batteries (Average 5-year use)†	Two lithium batteries (Average 5-year use)†
ACCURACY	± 5.0% of reading	± 1.5% of reading
WARRANTY	2 Year	1 Year



INDUSTRIAL METER CATALOG

version seven

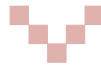




G SERIES PRECISION METERS

The High Precision Meter line is the most accurate of the GPI Turbine Meters and includes a traditional design. These meters come in a variety of sizes and fitting options including BSP, ISO, NPT and ANSI Flange fittings. The GSCPS in this section carries the 3A Sanitary Rating.



1) Select Your Turbine**Threaded Models****Sanitary Clamp Models****Flange Models****2) Select Your Sensor****Local Pickup Wire Lead****3) Select Your Electronic Choice**

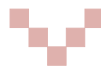
For further details and selections see the Electronics Section.

Remote Models

GA500	R700-R
GG500	R800-R
GX500	SC500

Local Models

GA510	R700-L
GG510	R800-L
GX510	SC510

**4) Do You Want It Assembled?**

GPI will assemble the components you choose into a single unit, configured to your request.

Contact the factory for details on Custom System Assembly.

G SERIES METER NUMBER REFERENCE

G SERIES

USE THIS AS A GUIDE – SIZES VARY BY FITTING TYPE.

Product Identifier

G = G Series Precision Turbine Meter

Fitting Type

- N** = NPT (Male)
- I** = ISO Taper (Male)
- B** = BSP (Male)
- F** = Flanged
- SC** = Sanitary Clamp

Meter Dimensions listed on page 75.

Shaft / Sleeve Bearing / Thrust Bearing

- T-** = Tungsten Carbide / Tungsten Carbide
- P-** = Stainless Steel / PTFE / Stainless Steel

Turbine Size & Flowrate

- 050S** = 1/2 in. (0.6 - 6 GPM) Low Flow - Turbine Body Only♦
- 051S** = 1/2 in. (0.8 - 6 GPM) Standard - Uses Low Drag Standard Sensor 1
- 051H** = 1/2 in. (0.8 - 6 GPM) High Temp - Turbine Body Only♦
- 075S** = 3/4 in. (1.6 - 16 GPM) Standard - Uses Standard Sensor 2
- 075H** = 3/4 in. (1.6 - 16 GPM) High Temp - Turbine Body Only♦
- 075E** = 3/4 in. (2.32 - 23 GPM) Ext-Range - Uses Standard Sensor 2
- 75EH** = 3/4 in. (2.32 - 23 GPM) Ext-Range High Temp - Turbine Body Only♦
- 100S** = 1 in. (6.7 - 67 GPM) Standard - Uses Standard Sensor 2
- 100H** = 1 in. (6.7 - 67 GPM) High Temp - Turbine Body Only♦
- 150S** = 1-1/2 in. (17.7 - 177 GPM) Standard - Uses Standard Sensor 2
- 150H** = 1-1/2 in. (17.7 - 177 GPM) High Temp - Turbine Body Only♦
- 200S** = 2 in. (33 - 330 GPM) Standard - Uses Standard Sensor 2
- 200H** = 2 in. (33 - 330 GPM) High Temp - Turbine Body Only♦
- 300S** = 3 in. (60-600 GPM) Standard - Uses Standard Sensor 2

Sensor Choice

- 1** = Low Drag Standard Sensor with 12 inch Lead Wires
- 2** = Standard Sensor with 12 inch Lead Wires
- X** = No Sensor - Turbine Body Only

Electronic Choice (Local)*

Turbine Mounted

- 5** = GG510 - Standard Display
- 6** = GX510 - 4-20 mA Transmitter with Display
- 7** = GA510 - 4-20 mA Transmitter
- 8** = SC510 - Scaled Pulse Output
- X** = No Electronics - Turbine Body Only

G + **I** + **T-** + **-075S** + **2** + **-6**

← (Sample Model Number)

* Electronic Choice not available on all models.

GBT, GIT & GNT PRECISION METERS

Model GNT NPT Fitting



GNT shown here
with Local Display



For complete part number,
see "Number Reference" chart on page 5.

ACCURACY: ± 0.5%

Select Your Meter Size:

1/2 inch	1 inch	2 inch
3/4 inch	1-1/2 inch	3 inch



For Your Special Application Needs:

Model GNT HT

For High Temperatures

(This model is not available in 3 inch)



Sensor Options:

- Low Drag Pickup (1/2 in. turbines)
- Standard Pickup (3/4 to 3 in. turbines)

Electronics Options:

- GG510 (Display with Pulse Output)
- GX510 (Display with 4-20 mA Output)
- GA510 (4-20 mA Output)
- SC510 (Scaled Pulse Output)

SPECIFICATIONS

Design Type:	Turbine		
Housing Material:	316 Stainless Steel		
Meter Sizes Available:			
For GNT: NPT Taper (Male)	1/2" 3/4" 1" 1-1/2" 2" 3"		
For GBT: BSPP * (Male)	1/2" 3/4" 1" 1-1/2" 2" 3"		
For GIT: ISO Taper (Male)	1/2" 3/4" 1" 1-1/2" 2" 3"		
For High Temperature*:	1/2" 3/4" 1" 1-1/2" 2" —		
Flow Range:	1/2" (051)	0.8 - 6.0 GPM (3.0 - 22 LPM)	
	3/4" (075)	1.6 - 16 GPM (6.0 - 60 LPM)	
	3/4" (075E)	2.3 - 23 GPM (8.7 - 87 LPM)	
	1" (100)	6.7 - 67 GPM (25.2 - 252 LPM)	
	1-1/2" (150)	17.7 - 177 GPM (67.0 - 670 LPM)	
	2" (200)	33 - 330 GPM (125.0 - 1250 LPM)	
	3" (300)	60 - 600 GPM (227.1 - 2271 LPM)	
Accuracy (Linearity):	± 0.5%		
Repeatability:	± 0.1%		
Pressure Rating:	1/2" to 2" = 5,000 PSI / 340 BAR 3" = 2,500 PSI / 170 BAR		
Operating Temperature Range:			
For Tungsten Carbide:	-100° F to +225° F (-74° C to +107° C)		
For High Temperature*:	-450° F to +800° F (-268° C to +426° C)		
Typical K-Factor:	1/2" (051)	10,000	
	3/4" (075)	3,750	
	3/4" (075E)	2,608	
	1" (100)	896	
	1-1/2" (150)	340	
	2" (200)	181	
	3" (300)	50	
Wetted Materials:			
Housing:	316 Stainless Steel		
Sleeve Bearings:	Tungsten Carbide		
Thrust Bearing:	Tungsten Carbide		
Shaft:	Tungsten Carbide		
Rotor:	CD4MCu Stainless Steel		
Rotor Supports:	316 Stainless Steel		
Recommended Strainer Size:			
	1/2"	40 mesh	
	3/4"	40 mesh	
	1"	40 mesh	
	1-1/2"	18 mesh	
	2"	14 mesh	
	3"	14 mesh	
Frequency Output:	1/2" (051)	125 - 1000 Hz	
	3/4" (075)	100 - 1000 Hz	
	3/4" (075E)	100 - 1000 Hz	
	1" (100)	100 - 1000 Hz	
	1-1/2" (150)	100 - 1000 Hz	
	2" (200)	100 - 1000 Hz	
	3" (300)	50 - 500 Hz	

* Requires High Temp Pickup.

* ISO 228-1 designation is G.

GBP, GIP & GNP PRECISION METERS

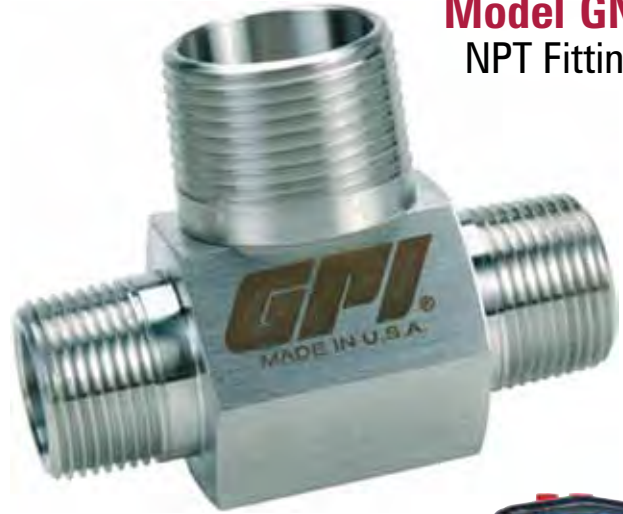
G SERIES

SPECIFICATIONS

Design Type:	Turbine				
Housing Material:	316 Stainless Steel				
Meter Sizes Available:					
For GNP: NPT (Male)	1/2"	3/4"	1"	1-1/2"	2"
For GBP: BSPP* (Male)	1/2"	3/4"	1"	1-1/2"	2"
For GIP: ISO Taper (Male)	1/2"	3/4"	1"	1-1/2"	2"
Flow Range:	1/2" (050)*	0.6 - 6.0 GPM (2.2 - 22 LPM)			
	1/2" (051)	0.8 - 6.0 GPM (3.0 - 22 LPM)			
	3/4" (075)	1.6 - 16 GPM (6.0 - 60 LPM)			
	3/4" (075E)	2.3 - 23 GPM (8.7 - 87 LPM)			
	1" (100)	6.7 - 67 GPM (25.2 - 252 LPM)			
	1-1/2" (150)	17.7 - 177 GPM (67.0 - 670 LPM)			
	2" (200)	33 - 330 GPM (125.0 - 1250 LPM)			
Accuracy (Linearity):	± 0.5%				
Repeatability:	± 0.1%				
Pressure Rating:	1/2" to 2" = 5,000 PSI / 340 BAR				
Operating Temperature Range:	-100° F to +185° F (-74° C to +85° C)				
Typical K-Factor:	1/2" (050)*	10,000			
	1/2" (051)	10,000			
	3/4" (075)	3,750			
	3/4" (075E)	2,608			
	1" (100)	896			
	1-1/2" (150)	340			
	2" (200)	181			
Wetted Materials:					
Housing:	316 Stainless Steel				
Sleeve Bearings:	PTFE				
Thrust Bearing:	440C Stainless Steel				
Shaft:	316 Stainless Steel				
Rotor:	CD4MCu Stainless Steel				
Rotor Supports:	316 Stainless Steel				
Recommended Strainer Size:					
	1/2"	40 mesh			
	3/4"	40 mesh			
	1"	40 mesh			
	1-1/2"	18 mesh			
	2"	14 mesh			
Frequency Output:	1/2" (051)*	125 - 1000 Hz			
	3/4" (075)	100 - 1000 Hz			
	3/4" (075E)	100 - 1000 Hz			
	1" (100)	100 - 1000 Hz			
	1-1/2" (150)	100 - 1000 Hz			
	2" (200)	100 - 1000 Hz			

* 1/2 in. (050) requires RF Pickup.

* ISO 228-1 designation is G.



Model GNP
NPT Fitting



GNP shown here
with Local Display

ACCURACY: ± 0.5%

Select Your Meter Size:

1/2 inch	1 inch	2 inch
3/4 inch	1-1/2 inch	



Sensor Options:

- Low Drag Pickup (1/2 in. turbines)
- Standard Pickup (3/4 to 3 in. turbines)

Electronics Options:

- GG510 (Display with Pulse Output)
- GX510 (Display with 4-20 mA Output)
- GA510 (4-20 mA Output)
- SC510 (Scaled Pulse Output)

ANSI FLANGE PRECISION METERS

Model GFT

150# RF ANSI Flange Fitting



GFT shown here with GX510



ACCURACY: ± 0.5%

Select Your Meter Size:

3/4 inch	1-1/2 inch	3 inch
1 inch	2 inch	



For Your Special Application Needs:

Model GFP

For Chemicals

(These models not available in 3 inch)

Model GFT HT

For High Temperatures



Sensor:

- Standard Pickup (3/4 to 3 inch turbines)

Electronics Options:

- GG510 (Display with Pulse Output)
- GX510 (Display with 4-20 mA Output)
- GA510 (4-20 mA Output)
- SC510 (Scaled Pulse Output)

SPECIFICATIONS

Design Type:	Turbine				
Housing Material:	316 Stainless Steel				
Meter Sizes Available:					
For GFT:	3/4"	1"	1-1/2"	2"	3"
For GFP:	3/4"	1"	1-1/2"	2"	—
For High Temperature:	3/4"	1"	1-1/2"	2"	—
Flow Range:	3/4" (075)	1.6 - 16 GPM (6.0 - 60 LPM)			
	3/4" (075E)	2.3 - 23 GPM (8.7 - 87 LPM)			
	1" (100)	6.7 - 67 GPM (25.2 - 252 LPM)			
	1-1/2" (150)	17.7 - 177 GPM (67.0 - 670 LPM)			
	2" (200)	33 - 330 GPM (125.0 - 1250 LPM)			
	3" (300)	60 - 600 GPM (227.1 - 2271 LPM)			
Accuracy (Linearity):	± 0.5%				
Repeatability:	± 0.1%				
Pressure Rating:	Flange Rule				
Operating Temperature Range:					
For Tungsten Carbide:	-100° F to +225° F (-74° C to +107° C)				
For SS/PTFE:	-100° F to +185° F (-74° C to +85° C)				
For High Temperature* :	-450° F to +800° F (-268° C to +426° C)				
Typical K-Factor:	3/4" (075)	3,750			
	3/4" (075E)	2,608			
	1" (100)	896			
	1-1/2" (150)	340			
	2" (200)	181			
	3" (300)	50			
Wetted Materials (GFT):					
Housing:	316 Stainless Steel				
Sleeve Bearings:	Tungsten Carbide				
Thrust Bearing:	Tungsten Carbide				
Shaft:	Tungsten Carbide				
Rotor:	CD4MCu Stainless Steel				
Rotor Supports:	316 Stainless Steel				
Wetted Materials (GFP):					
Housing:	316 Stainless Steel				
Sleeve Bearings:	PTFE				
Thrust Bearing:	440C Stainless Steel				
Shaft:	316 Stainless Steel				
Rotor:	CD4MCu Stainless Steel				
Rotor Supports:	316 Stainless Steel				
Recommended Strainer Size:					
	3/4"	40 mesh			
	1"	40 mesh			
	1-1/2"	18 mesh			
	2"	14 mesh			
	3"	14 mesh			
Frequency Output:	3/4" (075)	100 - 1000 Hz			
	3/4" (075E)	100 - 1000 Hz			
	1" (100)	100 - 1000 Hz			
	1-1/2" (150)	100 - 1000 Hz			
	2" (200)	100 - 1000 Hz			
	3" (300)	50 - 500 Hz			

* Requires High Temp Pickup.

SANITARY CLAMP PRECISION METERS

G SERIES

SPECIFICATIONS

Design Type:	Turbine	
Housing Material:	316 Stainless Steel	
Meter Sizes Available (ID):	1" 1-1/2" 2"	
Meter ID:	1"	1-1/2" Fitting
	1-1/2"	1-1/2" Fitting
	2"	2" Fitting
Flow Range:	1" (100)	6.7 - 67 GPM (25.2 - 252 LPM)
	1-1/2" (150)	17.7 - 177 GPM (67.0 - 670 LPM)
	2" (200)	33 - 330 GPM (125.0 - 1250 LPM)
Accuracy (Linearity):	± 0.5%	
Repeatability:	± 0.1%	
Pressure Rating:	Limited by fitting size, clamp size & temp.	
Operating Temperature Range:		
For GSCPS:	-100° F to +225° F (-74° C to +107° C)	
SIP (up to 1 hour):	+285° F (+140° C)	
Typical K-Factor:	1" (100)	896
	1-1/2" (150)	340
	2" (200)	181
Wetted Materials (SIP):		
Housing:	316 Stainless Steel	
Sleeve Bearings:	PEEK	
Thrust Bearing:	PEEK	
Shaft:	316 Stainless Steel	
Rotor:	CD4MCu Stainless Steel	
Rotor Supports:	316 Stainless Steel	
Recommended Strainer Size:		
	1"	40 mesh
	1-1/2"	18 mesh
	2"	14 mesh
Frequency Output:	1" (100)	100 - 1000 Hz
	1-1/2" (150)	100 - 1000 Hz
	2" (200)	100 - 1000 Hz

APPROVALS

GSCPS & "L" Option Meters carry a



Sanitary Rating.

Flowmeters for milk and milk products, Number 28-04.

CIP



SIP

This meter meets the strict 3-A Sanitary Standards using the new "Third Party Verification" (TPV) program. Our methods of design, construction and traceability of components have been reviewed and approved.

The internals of this meter are machined or polished to meet 3-A self-draining and cleaning requirements (Ra 32). The GSCPS Meter meets Clean in Place (CIP), Steam in Place (SIP) and Clean Out of Place (COP) requirements.

Model GSCPS Standard Sanitary Clamp



Model GSCPS Low Profile Sanitary Clamp



ACCURACY: ± 0.5%

*GSCPS Stainless Steel
Precision Turbine Meter*



Select Your Meter Size:

- 1 inch Meter with 1-1/2 inch Fitting
- 1-1/2 inch Meter with 1-1/2 inch Fitting
- 2 inch Meter with 2 inch Fitting

Use this meter in pre-process applications where high accuracy is required without 3-A Approval.

Model GSCP Tri-Clover® Clamp



GSCP shown here
with Local Display



ACCURACY: ± 0.5%

Select Your Meter Size:

- 1/2 inch Meter with 3/4 or 1 inch Fitting
- 3/4 inch Meter with 1-1/2 inch Fitting
- 1 inch Meter with 1-1/2 inch Fitting
- 1-1/2 inch Meter with 1-1/2 inch Fitting
- 2 inch Meter with 2 inch Fitting



Sensor Options:

- Low Drag Pickup (1/2 in. turbines)
- Standard Pickup (3/4 to 2 in. turbines)

Electronics Options:

- GG510 (Display with Pulse Output)
- GX510 (Display with 4-20 mA Output)
- GA510 (4-20 mA Output)
- SC510 (Scaled Pulse Output)

SPECIFICATIONS

Design Type:	Turbine				
Housing Material:	316 Stainless Steel				
Meter Sizes Available (ID):	1/2"	3/4"	1"	1-1/2"	2"
Meter ID:	1/2"	3/4" Fitting			
	1/2"	1" Fitting			
	3/4"	1-1/2" Fitting			
	1"	1-1/2" Fitting			
	1-1/2"	1-1/2" Fitting			
	2"	2" Fitting			
Flow Range:	1/2" (050) [†]	0.6 - 6 GPM	(2.2 - 22 LPM)		
	1/2" (051)	0.8 - 6 GPM	(3.0 - 22 LPM)		
	3/4" (075)	1.6 - 16 GPM	(6.0 - 60 LPM)		
	3/4" (075E)	2.3 - 23 GPM	(8.7 - 87 LPM)		
	1" (100)	6.7 - 67 GPM	(25.2 - 252 LPM)		
	1-1/2" (150)	17.7 - 177 GPM	(67.0 - 670 LPM)		
	2" (200)	33 - 330 GPM	(125.0 - 1250 LPM)		
Accuracy (Linearity):	± 0.5%				
Repeatability:	± 0.1%				
Pressure Rating:	Limited by fitting size, clamp size & temp.				
Operating Temperature Range:	-100° F to +185° F (-74° C to +85° C)				
Typical K-Factor:	1/2" (050) [†]	10,000			
	1/2" (051)	10,000			
	3/4" (075)	3,750			
	3/4" (075E)	2,608			
	1" (100)	896			
	1-1/2" (150)	340			
	2" (200)	181			
Wetted Materials:					
Housing:	316 Stainless Steel				
Sleeve Bearings:	PTFE				
Thrust Bearing:	440C Stainless Steel				
Shaft:	316 Stainless Steel				
Rotor:	CD4MCu Stainless Steel				
Rotor Supports:	316 Stainless Steel				
Recommended Strainer Size:					
	1/2"	40 mesh			
	3/4"	40 mesh			
	1"	40 mesh			
	1-1/2"	18 mesh			
	2"	14 mesh			
Frequency Output:	1/2" (050)	100 - 1000 Hz			
	1/2" (051)	125 - 1000 Hz			
	3/4" (075)	100 - 1000 Hz			
	3/4" (075E)	100 - 1000 Hz			
	1" (100)	100 - 1000 Hz			
	1-1/2" (150)	100 - 1000 Hz			
	2" (200)	100 - 1000 Hz			

[†] GSCP-050 requires RF Pickup.

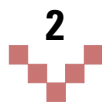
Magnetic Pickups



When choosing a magnetic pickup, the turbine meter and electronics are generally already known. Electronics can be either Local or Remote. Remote electronics include GPI Remote Displays or output to customer supplied equipment. Follow these 3 steps when choosing a magnetic pickup then see the Specification Table for further details.



1
Select your size:
1/2 inch or
3/4 to 3 inch



2
Choose: Local or Remote/Output
Local uses a wire lead pickup.
Remote/Output requires a connector.



3
What's your signal type:
Sine Wave or Square Wave
Sine Wave - has no sensor power, can be used with battery powered displays.
Square Wave - sensor power is required.

1/2 INCH METER SIZES

Magnetic Pickups work with...

Description	Part Number	Sensor Power	Temperature Range	Cable Type	Connector Required	Cable Length	Thread Size	Local	Remote	Battery Pwr Display
Wire Lead Low Drag	81006001	None	-100° F - +250° F (-73° C - +121° C)	None	None	12 in.	5/8" - 18	X		Yes
Low Drag	81006000	None	-100° F - +250° F (-73° C - +121° C)	S	80001200	N/A	5/8" - 18		X	Yes
High Temp., Low Drag (10 ft. cable)	81007001	None	-450° F - +800° F (-268° C - +426° C)	None	None	10 ft.	5/8" - 18		X	Yes
* RF (required for GNP-050, GTP-050 & GSCP-050)	81005002	7-30 VDC	-40° F - +248° F (-29° C - +120° C)	D	80001202	N/A	5/8" - 18		X	No

3/4 TO 3 INCH METER SIZES

Wire Lead Standard	81003000	None	-100° F - +250° F (-73° C - +121° C)	None	None	12 in.	5/8" - 18	X		Yes
Standard	81001000	None	-100° F - +250° F (-73° C - +121° C)	S	80001200	N/A	5/8" - 18		X	Yes
Herm / High Temperature	81002000	None	-450° F - +258° F (-268° C - +125° C)	S	80001200	N/A	5/8" - 18		X	Yes
High Temperature, Standard	81007000	None	-450° F - +800° F (-268° C - +426° C)	None	None	3 ft.	5/8" - 18		X	Yes
* Digital (Di-Mag)	81004000	5-32 VDC	-40° F - +248° F (-29° C - +120° C)	D	80001202	N/A	5/8" - 18		X	No

* Externally powered pickups for pulse output only.

Pickup Enclosures



Pickup Enclosures are optional on G Series Meters. Choose from four pickup enclosures. Models N4A and N4S are weather-proof enclosures. For explosion-proof enclosures, choose N7A for the enclosure without terminal strip or the N7AT with terminal strip.

ENCLOSURES – PART NUMBERS

Description	Part Number
N4AWP - Weatherproof magnetic pickup steel enclosure	80001101
N4SWP - Weatherproof magnetic pickup 316 S.S. enclosure	80001105
N7AXP - Explosion-proof pickup enclosure (NEMA 7D)	80001100
N7ATXP - Explosion-proof pickup enclosure w/terminal strip (NEMA 7D)	80001102
Optional Spacer	42825524

Connectors



Connectors are included with cable assemblies from GPI. If you need replacement connectors, choose from the following:

CONNECTORS – PART NUMBERS

Description	Part Number
Standard mating connector (2 pin) used on Type S and T cable assemblies	80001200
Water resistant connector (2 pin) used on Type H cable assembly	80001201
Di-Mag connector (3 pin) used on Type D cable assembly	80001202

Cable Assemblies



GPI Cable Assemblies include the connector.

CABLE ASSEMBLY – PART NUMBERS

Type "S" Standard Cable (2 Conductor)		Type "H" Water Resistant (2 Conductor)	
Cable Length	Part No.	Cable Length	Part No.
8 inch	83001001	8 inch	83003001
5 feet	83001005	5 feet	83003005
10 feet	83001010	10 feet	83003010
15 feet	83001015	15 feet	83003015
20 feet	83001020	20 feet	83003020
25 feet	83001025	25 feet	83003025
30 feet	83001030	30 feet	83003030
40 feet	83001040	40 feet	83003040
50 feet	83001050	50 feet	83003050
75 feet	83001075	75 feet	83003075
100 feet	83001100		
125 feet	83001125		
Type "D" Di-Mag or RF (3 Conductor)		Type "T" High Temperature (2 Conductor)	
Cable Length	Part No.	Cable Length	Part No.
8 inch	83002001	8 inch	83004001
5 feet	83002005	5 feet	83004005
10 feet	83002010	10 feet	83004010
15 feet	83002015	15 feet	83004015
20 feet	83002020	20 feet	83004020
25 feet	83002025	25 feet	83004025
30 feet	83002030	30 feet	83004030
40 feet	83002040	40 feet	83004040
50 feet	83002050	50 feet	83004050
75 feet	83002075	75 feet	83004075

G2 SERIES INDUSTRIAL GRADE METERS

The unique modular approach of the Industrial Grade Meter line allows you to design a meter to match your specific application. Turbine choice depends on flowrate, line size, pressure rating, fitting type, chemical compatibility and temperature range. When choosing a G2 Series Meter, select from our wide variety of materials and sizes. These meters offer high accuracy at a lower cost, are compact and include a self-contained design. G2 Series Meters are field serviceable.



1) Select Your Turbine Material and Size

Turbine choice depends on flowrate, line size, pressure rating, fitting type, chemical compatibility and temperature range.



Stainless Steel



Aluminum
"Look for the blue label!"
(Shown with 09 Computer)



Brass
"Look for the blue label!"
(Shown with 09 Computer)



PVDF



2) Need A Computer?



"Look for the blue label!"
09 Computer



XX No Computer

Or Choose an Electronics
(For further details and selections see the Electronics Section.)



3) Add a Module?

For further details and selections see pages 23-26.



Standard Remote Kit



FM Approved Remote Kit



Conditioned Signal Output Module



FM Approved Sensor Kit



4-20 mA Module



Pulse Access Module



External Power Module
(Pulse Access Module Required)



4) Do You Require Any Accessories?

For further details and selections see pages 27-28.



Conduit Adapter Kit



90° Display Adapter Kit



510 Conversion Kit



Pulse Access Dust Cover



GPI Electronics Programmer

G2 SERIES METER NUMBER REFERENCE

G2 SERIES

Product Identifier

G2 = Industrial Grade Meter

Turbine Material & Size

Metal Meters:

- S05** = Stainless Steel – 1/2 in.
- S07** = Stainless Steel – 3/4 in.
- S10** = Stainless Steel – 1 in.
- S15** = Stainless Steel – 1-1/2 in.
- S20** = Stainless Steel – 2 in.
- H05** = Stainless Steel High Pressure – 1/2 in.
- H07** = Stainless Steel High Pressure – 3/4 in.
- H10** = Stainless Steel High Pressure – 1 in.
- H15** = Stainless Steel High Pressure – 1-1/2 in.
- H20** = Stainless Steel High Pressure – 2 in.

- A05** = Aluminum – 1/2 in.
- A07** = Aluminum – 3/4 in.
- A10** = Aluminum – 1 in.
- A15** = Aluminum – 1-1/2 in.
- A20** = Aluminum – 2 in.
- B05** = Brass – 1/2 in.
- B07** = Brass – 3/4 in.
- B10** = Brass – 1 in.
- B15** = Brass – 1-1/2 in.
- B20** = Brass – 2 in.

Plastic Meters:

- P05** = PVDF – 1/2 in.
- P10** = PVDF – 1 in.

Meter Dimensions listed on page 75.

Fitting Type

- F** = 150# ANSI Flange - available on S10, S15 and S20 only
- I** = ISO (Female)
- N** = NPT (Female)
- T** = Tri-Clover® Fitting - available on S05 - S20 only
- X** = Electronics Only - for metal meters
- Z** = Electronics Only - for plastic meters

Electronic Choice

Turbine with Local Display

- 09** = 2 Button Computer, Field Configurable (2 Totals and Rate of Flow)
- 19** = Vertical Mount 2-Button Computer, Field Configurable (2 Totals and Rate of Flow)

Pulse Output (Remote)

- 41** = Remote Pulse Out Transmitter & Sine Wave Pickup (Standard Remote Sensor Option)
- 43** = Remote Pulse Out Transmitter & Turbine Mounted Computer (Pulse Out Sensor Option)

GG500 – Display with Pulse Output (Remote)

- 51** = Sine Wave Pickup (Standard Remote Sensor Option)
- 52** = Open Collector Pickup (Conditioned Signal Sensor Option)
- 53** = Turbine Mounted Computer (Pulse Access Sensor Option)

GX500 – Display with 4-20 mA Output (Remote)

- 61** = Sine Wave Pickup (Standard Remote Sensor Option)
- 62** = Open Collector Pickup (Conditioned Signal Sensor Option)
- 63** = Turbine Mounted Computer (Pulse Access Sensor Option)

GA500 – 4-20 mA Output (Remote)

- 71** = Sine Wave Pickup (Standard Remote Sensor Option)
- 72** = Open Collector Pickup (Conditioned Signal Sensor Option)
- 73** = Turbine Mounted Computer (Pulse Access Sensor Option)

No Electronics – Turbine Only

- XX** = No Electronics – Turbine Only

Calibration

- GM** = Gallons / Minute
- LM** = Litres / Minute
- XX** = No Computer

Packaging

- A** = Use for Turbine Only or Turbine w/Display (Sizes 05-10)
- B** = Use for Turbine Only or Turbine w/Display (Sizes 15-20)
- C** = Use for Turbine with Remote Transmitter With or Without Turbine Mounted Display (Sizes 05-20)
- D** = Use for 150# ANSI Flange Turbine Only (Size 10)
- E** = Use for 150# ANSI Flange Turbine Only (Sizes 15-20)
Use for 150# ANSI Flange Turbine with Remote Transmitter (Sizes 10, 15 or 20)

G2 + **S07** + **N** + **09** + **GM** + **A** ← (Sample Model Number)



"Look for the blue label!"

The GPI Stainless Steel Meter line has a proven track record in the industrial market. GPI Stainless Steel Meters are rugged and dependable. Use stainless steel meters for most chemicals: Ammonium, Plating Solutions and Fuel products.

For complete part number, see "Number Reference" chart on page 15.

Select Your Meter Size:

1/2 inch 3/4 inch 1 inch 1-1/2 inch 2 inch



Features and Benefits:

- ✓ Stainless steel meters have excellent chemical compatibility.
- ✓ Modular design allows for use with Output Modules, Sensors and Remote Transmitters.
- ✓ 2 Totals (Batch = Resettable, Cumulative = Non-Resettable); Rate of Flow. Factory calibrated in gallons and litres. Field calibratable. Allows user calibration. Includes non-volatile totals.
- ✓ High accuracy meter.
- ✓ Internal parts are simple to replace for easy maintenance.
- ✓ Lithium battery life: 5 years.
- ✓ Accessories easily upgrade meter.

STAINLESS STEEL – SPECIFICATIONS

Fitting Type:	NPT or ISO (Female)				
Housing Material:	316 Stainless Steel				
Meter Sizes Available:	1/2"	3/4"	1"	1-1/2"	2"
Flow Range:	1/2" (S05)	1 - 10 GPM	(3.8 - 37.9 LPM)		
	3/4" (S07)	2 - 20 GPM	(7.6 - 75.7 LPM)		
	1" (S10)	5 - 50 GPM	(18.9 - 190 LPM)		
	1-1/2" (S15)	10 - 100 GPM	(38.0 - 380 LPM)		
	2" (S20)	20 - 200 GPM	(76 - 760 LPM)		
Accuracy (% of Reading):		Turbine Only	Turbine w/Computer		
	1/2" (S05)	± 2.0%	± 1.5%		
	3/4" (S07)	± 1.5%	± 1.0%		
	1" (S10)	± 1.5%	± 1.0%		
	1-1/2" (S15)	± 1.0%	± 0.75%		
	2" (S20)	± 1.0%	± 0.75%		
Repeatability:	± 0.1%				
Pressure Rating:	1,500 PSI / 102 BAR				
Operating Temperature Range:	-40° F to +250° F (-40° C to +121° C)				
	with Computer:	0° F to +140° F (-18° C to +60° C)			
Typical K-Factor:	1/2" (S05)	2,500			
	3/4" (S07)	1,100			
	1" (S10)	565			
	1-1/2" (S15)	215			
	2" (S20)	100			
Wetted Materials:	Housing:	316 Stainless Steel			
	Bearings:	Ceramic			
	Shaft:	Tungsten Carbide			
	Rotor:	PVDF			
	Rings:	316 Stainless Steel			
Frequency Range:	1/2" (S05)	42 - 420 Hz @ 1 - 10 GPM			
	3/4" (S07)	37 - 370 Hz @ 2 - 20 GPM			
	1" (S10)	47 - 470 Hz @ 5 - 50 GPM			
	1-1/2" (S15)	36 - 360 Hz @ 10 - 100 GPM			
	2" (S20)	33 - 330 Hz @ 20 - 200 GPM			
Recommended Strainer Size:					
	1/2" (S05)	55 mesh			
	3/4" (S07)	55 mesh			
	1" (S10)	55 mesh			
	1-1/2" (S15)	28 mesh			
	2" (S20)	28 mesh			
Maximum Flow:	1/2" (S05)	15 GPM (56.8 LPM)			
	3/4" (S07)	30 GPM (113.6 LPM)			
	1" (S10)	75 GPM (284 LPM)			
	1-1/2" (S15)	150 GPM (568 LPM)			
	2" (S20)	300 GPM (1,136 LPM)			
Wrench Flat Size:	1/2" (S05)	1-1/16 inch (27 mm)			
	3/4" (S07)	1-5/16 inch (33 mm)			
	1" (S10)	1-5/8 inch (41 mm)			
	1-1/2" (S15)	2-3/8 inch (60 mm)			
	2" (S20)	3 inch (75 mm)			
Shipping Weight:	1/2" (S05)	2.3 lbs./1.1 kg - Turbine Only: 2.1 lbs./0.95 kg			
	3/4" (S07)	2.5 lbs./1.1 kg - Turbine Only: 2.3 lbs./1.0 kg			
	1" (S10)	3.0 lbs./1.3 kg - Turbine Only: 2.8 lbs./1.2 kg			
	1-1/2" (S15)	4.6 lbs./2.0 kg - Turbine Only: 4.4 lbs./2.0 kg			
	2" (S20)	6.8 lbs./3.0 kg - Turbine Only: 6.6 lbs./3.0 kg			

ELECTRONIC CHOICES

Local Display, Remote Display & Remote Transmitter Options: See Electronics Section.

APPROVALS



ATEX

IP44

HIGH PRESSURE – SPECIFICATIONS

Fitting Type:	NPT or ISO (Female)	
Housing Material:	316 Stainless Steel	
Meter Sizes Available:	1/2" 3/4" 1" 1-1/2" 2"	
Flow Range:	1/2" (H05)	1 - 10 GPM (3.8 - 37.9 LPM)
	3/4" (H07)	2 - 20 GPM (7.6 - 75.7 LPM)
	1" (H10)	5 - 50 GPM (18.9 - 190 LPM)
	1-1/2" (H15)	10 - 100 GPM (38.0 - 380 LPM)
	2" (H20)	20 - 200 GPM (76 - 760 LPM)
Accuracy (% of Reading):	Turbine Only	Turbine w/Computer
	1/2" (H05)	± 2.0%
	3/4" (H07)	± 1.5%
	1" (H10)	± 1.5%
	1-1/2" (H15)	± 1.0%
	2" (H20)	± 1.0%
Repeatability:	± 0.1%	
Pressure Rating:	3,000 PSI / 207 BAR	
Operating Temperature Range:	-40° F to +250° F (-40° C to +121° C)	
with Computer:	0° F to +140° F (-18° C to +60° C)	
Typical K-Factor:	1/2" (H05)	2,500
	3/4" (H07)	1,100
	1" (H10)	565
	1-1/2" (H15)	215
	2" (H20)	100
Wetted Materials:	Housing:	316 Stainless Steel
	Bearings:	Ceramic
	Shaft:	Tungsten Carbide
	Rotor:	PVDF
	Rings:	316 Stainless Steel
Frequency Range:	1/2" (H05)	42 - 420 Hz @ 1 - 10 GPM
	3/4" (H07)	37 - 370 Hz @ 2 - 20 GPM
	1" (H10)	47 - 470 Hz @ 5 - 50 GPM
	1-1/2" (H15)	36 - 360 Hz @ 10 - 100 GPM
	2" (H20)	33 - 330 Hz @ 20 - 200 GPM
Recommended Strainer Size:	1/2" (H05)	55 mesh
	3/4" (H07)	55 mesh
	1" (H10)	55 mesh
	1-1/2" (H15)	28 mesh
	2" (H20)	28 mesh
Maximum Flow:	1/2" (H05)	15 GPM (56.8 LPM)
	3/4" (H07)	30 GPM (113.6 LPM)
	1" (H10)	75 GPM (284 LPM)
	1-1/2" (H15)	150 GPM (568 LPM)
	2" (H20)	300 GPM (1,136 LPM)
Wrench Flat Size:	1/2" (H05)	1-1/16 inch (27 mm)
	3/4" (H07)	1-5/16 inch (33 mm)
	1" (H10)	1-5/8 inch (41 mm)
	1-1/2" (H15)	2-3/8 inch (60 mm)
	2" (H20)	3 inch (75 mm)
Shipping Weight:	1/2" (H05)	2.3 lbs./1.0 kg - Turbine Only: 2.1 lbs./1.0 kg
	3/4" (H07)	2.4 lbs./1.1 kg - Turbine Only: 2.2 lbs./1.0 kg
	1" (H10)	3.0 lbs./1.3 kg - Turbine Only: 2.8 lbs./1.2 kg
	1-1/2" (H15)	4.6 lbs./2.1 kg - Turbine Only: 4.4 lbs./2.0 kg
	2" (H20)	6.8 lbs./3.0 kg - Turbine Only: 6.6 lbs./3.0 kg

ELECTRONIC CHOICES

Local Display, Remote Display & Remote Transmitter Options:	See Electronics Section.
--	--------------------------

APPROVALS



"Look for the blue label!"

This is the turbine meter of choice for high pressure applications like spray washers and hydraulic systems. PSIG for the GPI High Pressure Meter is 3,000 compared to 1,500 for the standard stainless steel meter. This proven meter can perform in all kinds of high pressure applications.

For complete part number, see "Number Reference" chart on page 15.

Select Your Meter Size:

1/2 inch 3/4 inch 1 inch 1-1/2 inch 2 inch



Features and Benefits:

- ✓ High pressure and high accuracy.
- ✓ Excellent chemical compatibility.
- ✓ Modular design allows for use with Output Modules, Sensors and Remote Transmitters.
- ✓ 2 Totals (Batch = Resettable, Cumulative = Non-Resettable); Rate of Flow. Factory calibrated in gallons and litres. Field calibratable. Allows user calibration. Includes non-volatile totals.
- ✓ Internal parts are simple to replace for easy maintenance.
- ✓ Lithium battery life: 5 years.



"Look for the blue label!"

Select stainless steel meters with 150# ANSI Flanges when you need a meter that installs in-line quickly. Flange Meters are easily installed and removed with four bolts. Combine with GPI's Computer Electronics for a complete, accurate, metering system.

Select Your Meter Size:

1 inch 1-1/2 inch 2 inch



Features and Benefits:

- ✓ Stainless steel meters have excellent chemical compatibility.
- ✓ Modular design allows for use with Output Modules, Sensors and Remote Transmitters.
- ✓ 2 Totals (Batch = Resettable, Cumulative = Non-Resettable); Rate of Flow. Factory calibrated in gallons and litres. Field calibratable. Allows user calibration. Includes non-volatile totals.
- ✓ Precision accuracy meter.
- ✓ Internal parts are simple to replace for easy maintenance.
- ✓ Lithium battery life: 5 years.
- ✓ Accessories easily upgrade meter.

ANSI FLANGE – SPECIFICATIONS

Fitting Type:	150# ANSI Flange	
Housing Material:	316 Stainless Steel	
Meter Sizes Available:	1" 1-1/2" 2"	
Flow Range:	1" (S10F)	5 - 50 GPM (18.9 - 190 LPM)
	1-1/2" (S15F)	10 - 100 GPM (38.0 - 380 LPM)
	2" (S20F)	20 - 200 GPM (76 - 760 LPM)
Accuracy (% of Reading):	Turbine Only	Turbine w/Computer
	1" (S10F)	± 1.5%
	1-1/2" (S15F)	± 1.0%
	2" (S20F)	± 1.0%
Repeatability:	± 0.1%	
Pressure Rating:	Flange Rule	
Operating Temperature Range:	-40° F to +250° F (-40° C to +121° C)	
with Computer:	0° F to +140° F (-18° C to +60° C)	
Typical K-Factor:	1" (S10F)	565
	1-1/2" (S15F)	215
	2" (S20F)	100
Wetted Materials:	Housing:	316 Stainless Steel
	Bearings:	Ceramic
	Shaft:	Tungsten Carbide
	Rotor:	PVDF
	Rings:	316 Stainless Steel
Frequency Range:	1" (S10F)	47 - 470 Hz @ 5 - 50 GPM
	1-1/2" (S15F)	36 - 360 Hz @ 10 - 100 GPM
	2" (S20F)	33 - 330 Hz @ 20 - 200 GPM
Recommended Strainer Size:		
	1" (S10F)	55 mesh
	1-1/2" (S15F)	28 mesh
	2" (S20F)	28 mesh
Maximum Flow:	1" (S10F)	75 GPM (284 LPM)
	1-1/2" (S15F)	150 GPM (568 LPM)
	2" (S20F)	300 GPM (1,136 LPM)
Shipping Weight:	1" (S10F)	7.2 lbs./3.3 kg - Turbine Only: 7.0 lbs./3.2 kg
	1-1/2" (S15F)	11.3 lbs./5.1 kg - Turbine Only: 11.1 lbs./5.0 kg
	2" (S20F)	18.6 lbs./8.4 kg - Turbine Only: 18.4 lbs./8.3 kg

ELECTRONIC CHOICES

Local Display, Remote Display	
& Remote Transmitter Options:	See Electronics Section.

APPROVALS



TRI-CLOVER® – SPECIFICATIONS

Fitting Type:	Tri-Clover®	
Housing Material:	316 Stainless Steel	
Meter Sizes Available:	1/2" 3/4" 1" 1-1/2" 2"	
Tri-Clover® Fittings Available:	3/4" 1" 1-1/2" 2" 2-1/2"	
Flow Range:	1/2" (S05T)	1 - 10 GPM (3.8 - 37.9 LPM)
	3/4" (S07T)	2 - 20 GPM (7.6 - 75.7 LPM)
	1" (S10T)	5 - 50 GPM (18.9 - 190 LPM)
	1-1/2" (S15T)	10 - 100 GPM (38.0 - 380 LPM)
	2" (S20T)	20 - 200 GPM (76 - 760 LPM)
Accuracy (% of Reading):	Turbine Only	Turbine w/Computer
	1/2" (S05T)	± 2.0%
	3/4" (S07T)	± 1.5%
	1" (S10T)	± 1.0%
	1-1/2" (S15T)	± 1.0%
	2" (S20T)	± 0.75%
	1/2" (S05T)	± 2.0%
	3/4" (S07T)	± 1.5%
	1" (S10T)	± 1.0%
	1-1/2" (S15T)	± 1.0%
	2" (S20T)	± 0.75%
Repeatability:	± 0.1%	
Pressure Rating:	Limited by fitting size, clamp size & temp.	
Operating Temperature Range:	-40° F to +250° F (-40° C to +121° C)	
with Computer:	0° F to +140° F (-18° C to +60° C)	
Typical K-Factor:	1/2" (S05T)	2,500
	3/4" (S07T)	1,100
	1" (S10T)	565
	1-1/2" (S15T)	215
	2" (S20T)	100
Wetted Materials:	Housing:	316 Stainless Steel
	Bearings:	Ceramic
	Shaft:	Tungsten Carbide
	Rotor:	PVDF
	Rings:	316 Stainless Steel
Frequency Range:	1/2" (S05T)	42 - 420 Hz @ 1 - 10 GPM
	3/4" (S07)	37 - 370 Hz @ 2 - 20 GPM
	1" (S10T)	47 - 470 Hz @ 5 - 50 GPM
	1-1/2" (S15T)	36 - 360 Hz @ 10 - 100 GPM
	2" (S20T)	33 - 330 Hz @ 20 - 200 GPM
Recommended Strainer Size:		
	1/2" (S05T)	55 mesh
	3/4" (S07T)	55 mesh
	1" (S10T)	55 mesh
	1-1/2" (S15T)	28 mesh
	2" (S20T)	28 mesh
Maximum Flow:	1/2" (S05T)	15 GPM (56.8 LPM)
	3/4" (S07T)	30 GPM (113.6 LPM)
	1" (S10T)	75 GPM (284 LPM)
	1-1/2" (S15T)	150 GPM (568 LPM)
	2" (S20T)	300 GPM (1,136 LPM)
Shipping Weight:	1/2" (S05T)	2.5 lbs./1.0 kg - Turbine Only: 2.3 lbs./1.0 kg
	3/4" (S07T)	2.9 lbs./1.3 kg - Turbine Only: 2.7 lbs./1.2 kg
	1" (S10T)	3.2 lbs./1.4 kg - Turbine Only: 3.0 lbs./1.3 kg
	1-1/2" (S15T)	4.7 lbs./2.1 kg - Turbine Only: 4.5 lbs./2.0 kg
	2" (S20T)	6.5 lbs./2.9 kg - Turbine Only: 6.3 lbs./2.8 kg

ELECTRONIC CHOICES

Local Display, Remote Display & Remote Transmitter Options:	See Electronics Section.
--	--------------------------

APPROVALS



"Look for the blue label!"

The GPI Stainless Steel Meters with Tri-Clover® fittings can be used with food and beverage industries in preprocess applications. Built of stainless steel construction, these meters come in five sizes to fit most every application.

For complete part number, see "Number Reference" chart on page 15.

Select Your Meter Size:

- 1/2 inch Meter with 3/4 inch Fitting
- 3/4 inch Meter with 1 inch Fitting
- 1 inch Meter with 1-1/2 inch Fitting
- 1-1/2 inch Meter with 2 inch Fitting
- 2 inch Meter with 2-1/2 inch Fitting



Features and Benefits:

- ✓ Stainless steel meter with Tri-Clover® fittings.
- ✓ Modular design allows for use with Output Modules, Sensors and Remote Transmitters.
- ✓ 2 Totals (Batch = Resettable, Cumulative = Non-Resettable); Rate of Flow. Factory calibrated in gallons and litres. Field calibratable. Allows user calibration. Includes non-volatile totals.
- ✓ Internal parts are easy to replace.
- ✓ Lithium battery life: 5 years.
- ✓ Accessories easily upgrade meter.



"Look for the blue label!"

GPI offers a full line of Industrial Meters in a variety of housing materials. Aluminum meters are best suited for petroleum based products. The modular design allows for maximum flexibility in meeting custom applications. Models are available with ISO or NPT fittings.

For complete part number, see "Number Reference" chart on page 15.

Select Your Meter Size:

1/2 inch 3/4 inch 1 inch 1-1/2 inch 2 inch



Features and Benefits:

- ✓ High pressure, durable and compact turbine flowmeters.
- ✓ Modular design allows for use with Output Modules, Sensors and Remote Transmitters.
- ✓ 2 Totals (Batch = Resettable, Cumulative = Non-Resettable); Rate of Flow. Factory calibrated in gallons and litres. Field calibratable. Allows user calibration. Includes non-volatile totals.
- ✓ Internal parts are simple to replace for easy maintenance.
- ✓ Lightweight, compact design allows for easy installation.
- ✓ Lithium battery life: 5 years.

ALUMINUM – SPECIFICATIONS

Fitting Type:	NPT or ISO (Female)				
Housing Material:	Aluminum				
Meter Sizes Available:	1/2"	3/4"	1"	1-1/2"	2"
Flow Range:	1/2" (A05)	1 - 10 GPM (3.8 - 37.9 LPM)			
	3/4" (A07)	2 - 20 GPM (7.6 - 75.7 LPM)			
	1" (A10)	5 - 50 GPM (18.9 - 190 LPM)			
	1-1/2" (A15)	10 - 100 GPM (38.0 - 380 LPM)			
	2" (A20)	20 - 200 GPM (76 - 760 LPM)			
Accuracy (% of Reading):		Turbine Only	Turbine w/Computer		
	1/2" (A05)	± 2.0%	± 1.5%		
	3/4" (A07)	± 1.5%	± 1.0%		
	1" (A10)	± 1.5%	± 1.0%		
	1-1/2" (A15)	± 1.0%	± 0.75%		
	2" (A20)	± 1.0%	± 0.75%		
Repeatability:	± 0.1%				
Pressure Rating:	300 PSI / 21 BAR				
Operating Temperature Range:	-40° F to +250° F (-40° C to +121° C)				
	with Computer:	0° F to +140° F (-18° C to +60° C)			
Typical K-Factor:	1/2" (A05)	2,500			
	3/4" (A07)	1,100			
	1" (A10)	565			
	1-1/2" (A15)	215			
	2" (A20)	100			
Wetted Materials:	Housing:	Aluminum			
	Bearings:	Ceramic			
	Shaft:	Tungsten Carbide			
	Rotor:	PVDF			
	Rings:	316 Stainless Steel			
Frequency Range:	1/2" (A05)	42 - 420 Hz @ 1 - 10 GPM			
	3/4" (A07)	37 - 370 Hz @ 2 - 20 GPM			
	1" (A10)	47 - 470 Hz @ 5 - 50 GPM			
	1-1/2" (A15)	36 - 360 Hz @ 10 - 100 GPM			
	2" (A20)	33 - 330 Hz @ 20 - 200 GPM			
Recommended Strainer Size:					
	1/2" (A05)	55 mesh			
	3/4" (A07)	55 mesh			
	1" (A10)	55 mesh			
	1-1/2" (A15)	28 mesh			
	2" (A20)	28 mesh			
Maximum Flow:	1/2" (A05)	15 GPM (56.8 LPM)			
	3/4" (A07)	30 GPM (113.6 LPM)			
	1" (A10)	75 GPM (284 LPM)			
	1-1/2" (A15)	150 GPM (568 LPM)			
	2" (A20)	300 GPM (1,136 LPM)			
Wrench Flat Size:	1/2" (A05)	1-1/16 inch (27 mm)			
	3/4" (A07)	1-5/16 inch (33 mm)			
	1" (A10)	1-5/8 inch (41 mm)			
	1-1/2" (A15)	2-3/8 inch (60 mm)			
	2" (A20)	3 inch (75 mm)			
Shipping Weight:	1/2" (A05)	1.3 lbs./59 kg - Turbine Only: 1.1 lbs./50 kg			
	3/4" (A07)	1.4 lbs./63 kg - Turbine Only: 1.2 lbs./50 kg			
	1" (A10)	1.6 lbs./73 kg - Turbine Only: 1.4 lbs./63 kg			
	1-1/2" (A15)	2.8 lbs./1.3 kg - Turbine Only: 2.6 lbs./1.2 kg			
	2" (A20)	3.9 lbs./1.7 kg - Turbine Only: 3.7 lbs./1.7 kg			

ELECTRONIC CHOICES

Local Display, Remote Display & Remote Transmitter Options:	See Electronics Section.
--	--------------------------

APPROVALS



ATEX

IP44

BRASS – SPECIFICATIONS

Fitting Type:	NPT or ISO (Female)				
Housing Material:	Brass				
Meter Sizes Available:	1/2"	3/4"	1"	1-1/2"	2"
Flow Range:	1/2" (B05)	1 - 10 GPM (3.8 - 37.9 LPM)			
	3/4" (B07)	2 - 20 GPM (7.6 - 75.7 LPM)			
	1" (B10)	5 - 50 GPM (18.9 - 190 LPM)			
	1-1/2" (B15)	10 - 100 GPM (38.0 - 380 LPM)			
	2" (B20)	20 - 200 GPM (76 - 760 LPM)			
Accuracy (% of Reading):	Turbine Only	Turbine w/Computer			
	1/2" (B05)	± 2.0%	± 1.5%		
	3/4" (B07)	± 1.5%	± 1.0%		
	1" (B10)	± 1.5%	± 1.0%		
	1-1/2" (B15)	± 1.0%	± 0.75%		
	2" (B20)	± 1.0%	± 0.75%		
Repeatability:	± 0.1%				
Pressure Rating:	300 PSI / 21 BAR				
Operating Temperature Range:	-40° F to +250° F (-40° C to +121° C)				
with Computer:	0° F to +140° F (-18° C to +60° C)				
Typical K-Factor:	1/2" (B05)	2,500			
	3/4" (B07)	1,100			
	1" (B10)	565			
	1-1/2" (B15)	215			
	2" (B20)	100			
Wetted Materials:	Housing:	Brass			
	Bearings:	Ceramic			
	Shaft:	Tungsten Carbide			
	Rotor:	PVDF			
	Rings:	316 Stainless Steel			
Frequency Range:	1/2" (B05)	42 - 420 Hz @ 1 - 10 GPM			
	3/4" (B07)	37 - 370 Hz @ 2 - 20 GPM			
	1" (B10)	47 - 470 Hz @ 5 - 50 GPM			
	1-1/2" (B15)	36 - 360 Hz @ 10 - 100 GPM			
	2" (B20)	33 - 330 Hz @ 20 - 200 GPM			
Recommended Strainer Size:	1/2" (B05)	55 mesh			
	3/4" (B07)	55 mesh			
	1" (B10)	55 mesh			
	1-1/2" (B15)	28 mesh			
	2" (B20)	28 mesh			
Maximum Flow:	1/2" (B05)	15 GPM (56.8 LPM)			
	3/4" (B07)	30 GPM (113.6 LPM)			
	1" (B10)	75 GPM (284 LPM)			
	1-1/2" (B15)	150 GPM (568 LPM)			
	2" (B20)	300 GPM (1,136 LPM)			
Wrench Flat Size:	1/2" (B05)	1-1/16 inch (27 mm)			
	3/4" (B07)	1-5/16 inch (33 mm)			
	1" (B10)	1-5/8 inch (41 mm)			
	1-1/2" (B15)	2-3/8 inch (60 mm)			
	2" (B20)	3 inch (75 mm)			
Shipping Weight:	1/2" (B05)	2.4 lbs./1.0 kg - Turbine Only: 2.2 lbs./1.0 kg			
	3/4" (B07)	2.6 lbs./1.1 kg - Turbine Only: 2.4 lbs./1.0 kg			
	1" (B10)	3.1 lbs./1.4 kg - Turbine Only: 2.9 lbs./1.3 kg			
	1-1/2" (B15)	3.1 lbs./1.4 kg - Turbine Only: 2.9 lbs./1.3 kg			
	2" (B20)	10.0 lbs./4.5 kg - Turbine Only: 9.8 lbs./4.4 kg			

ELECTRONIC CHOICES

Local Display, Remote Display	
& Remote Transmitter Options:	See Electronics Section.

APPROVALS



ATEX

IP44



"Look for the blue label!"

The G2 Industrial Brass Meter allows another choice for fluid compatibility. The GPI Brass Meter works well with most water applications. Use with glucose, lacquer thinners and vegetable juices for example.

For complete part number, see "Number Reference" chart on page 15.

Select Your Meter Size:

1/2 inch 3/4 inch 1 inch 1-1/2 inch 2 inch



Features and Benefits:

- ✓ High pressure and durable turbine flowmeters.
- ✓ Modular design allows for use with Output Modules, Sensors and Remote Transmitters.
- ✓ 2 Totals (Batch = Resettable, Cumulative = Non-Resettable); Rate of Flow. Factory calibrated in gallons and litres. Field calibratable. Allows user calibration. Includes non-volatile totals.
- ✓ Internal parts are simple to replace for easy maintenance.
- ✓ Lithium battery life: 5 years.



"Look for the blue label!"

Looking for a turbine meter that can handle aggressive chemicals? Look at the PVDF Meter for a housing material that resists abrasion and has great chemical compatibility.

Use PVDF Meters with harsh chemicals: Bleach, Ferric Chloride, Phenol, Sulfuric Acid or Phosphoric Acid.

For complete part number, see "Number Reference" chart on page 15.

Select Your Meter Size:

1/2 inch

1 inch



Features and Benefits:

- ✓ Precision accuracy in a lightweight and durable meter.
- ✓ Lithium battery life: 5 years.
- ✓ Available with Local Display or Remote Transmitter.
- ✓ 2 Totals (Batch = Resettable, Cumulative = Non-Resettable); Rate of Flow. Factory calibrated in gallons and litres. Field calibratable. Allows user calibration. Includes non-volatile totals.
- ✓ Accessories easily upgrade meter.
- ✓ One field replaceable internal part making maintenance easy.

PVDF – SPECIFICATIONS

Fitting Type:	NPT or ISO (Female)	
Housing Material:	PVDF	
Meter Sizes Available:	1/2" and 1"	
Flow Range:	1/2" (P05)	1.2 - 12 GPM (4.54 - 45.42 LPM)
	1" (P10)	5 - 50 GPM (18.9 - 190 LPM)
Accuracy (% of Reading):	Turbine Only	Turbine w/Computer
	1/2" (P05)	± 2.0%
	1" (P10)	± 1.5%
Repeatability:	± 0.3%	
Pressure Rating:	150 PSI / 10.2 BAR	
Operating Temperature Range:	-20° F to +180° F (-28° C to +82° C)	
with Computer:	0° F to +140° F (-18° C to +60° C)	
Maximum Storage Temperature:	-40° F to +250° F (-40° C to +121° C)	
Typical K-Factor:	1/2" (P05)	2,400
	1" (P10)	540
Wetted Materials:	Housing:	PVDF (15% Carbon Fiber Filled)
	Bearings:	Ceramic - 98% Alumina
	Shaft:	Ceramic - 98% Alumina
	Rotor:	PVDF
	Rings:	Fluorocarbon
Optional O-Ring:	PTFE	
Frequency Range:	1/2" (P05)	48 - 480 Hz @ 1.2 - 12 GPM
	1" (P10)	45 - 450 Hz @ 5 - 50 GPM
Recommended Strainer Size:		
	1/2" (P05)	55 mesh
	1" (P10)	28 mesh
Maximum Flow:	1/2" (P05)	15 GPM (56.8 LPM)
	1" (P10)	75 GPM (284 LPM)
Shipping Weight:	1/2" (P05)	1.3 lbs./0.6 kg - Turbine Only: 1.1 lbs./ .54 kg
	1" (P10)	1.9 lbs./0.8 kg - Turbine Only: 1.7 lbs./ .77 kg

ELECTRONIC CHOICES

Local Display, Remote Display & Remote Transmitter Options:	See Electronics Section.
--	--------------------------

APPROVALS



Features and Benefits:

- ✓ Maintains FM Approval.
- ✓ Accommodates fluid temperatures from -40° F to +250° F (-40° C to +121° C) depending on meter.
- ✓ This kit can upgrade an existing GPI meter or can be purchased with a new meter.
- ✓ Battery powered from meter; no additional power required.

SPECIFICATIONS

Magnetic Pickup:	1.3 k Ohm, 90 mH
Signal Type:	Sine Wave
Voltage:	Peak to Peak 10 mV to 500 mV
Frequency:	11 to 750 Hz
Cable:	10 ft. (3 m), 2-conductor shielded, Belden #9501

APPROVALS



FM Approved Remote Kit Assembly (Part No. 113275-1)



FM Approved Remote Kit Assembly Installed



The Factory Mutual (FM) Approved Remote Kit Assembly modifies GPI Electronic Digital Meters for applications in specialized situations including remote indication and high or low fluid temperature metering applications. This kit provides the versatility of panel mounting of the LCD readout up to 100 ft. from the turbine.

This kit consists of a sensor module, a dust cover assembly and 10 ft. of cable. Requires a complete meter with display.

Features and Benefits:

- ✓ Accommodates fluid temperatures from -40° F to +250° F (-40° C to +121° C) depending on meter.
- ✓ This kit can upgrade an existing GPI meter or can be purchased with a new meter.
- ✓ Battery powered from meter; no additional power required.

SPECIFICATIONS

Magnetic Pickup:	1.5 k Ohm, 700 mH
Signal Type:	Sine Wave
Voltage:	Peak to Peak 33 mV to 825 mV
Frequency:	11 to 750 Hz
Cable:	10 ft. (3 m), 2-conductor shielded, Belden #1266A or #8451

Standard Remote Kit Assembly (Part No. 113265-1)



Standard Remote Kit Assembly Installed



The Standard Remote Kit Assembly modifies GPI Electronic Digital Meters for applications in specialized situations including remote indication and high or low fluid temperature metering applications. This kit also provides the versatility of panel mounting of the LCD readout up to 300 ft. from the turbine housing and sensor.

This kit consists of a sensor module, a dust cover assembly and 10 ft. of cable. Requires a complete meter with display.

Conditioned Signal Output Module

(Part No. 113435-1)



This module provides an unscaled, amplified, digital signal capable of transmission up to 5,000 ft. There is no need for additional signal conditioning or amplification devices to achieve the desired digital signal. Use on G2 "Turbine Only" model.

The module is factory assembled for Open Collector signal output and operates from an external 9 to 35 volt power source. By changing terminal connections and adding a battery kit, the module provides a self-powered 6-volt Square Wave signal.

Features and Benefits:

- ✓ Provides two digital signals: Open Collector or 6-volt Square Wave and can communicate with most process control devices.
- ✓ Operating temperature range of -40° F to +212° F (-40° C to +100° C).
- ✓ Can be externally powered or battery powered.

SPECIFICATIONS

Connector:	Hubble PG7
Signal Type:	Open Collector (NPN)
Power:	External 9 to 35 VDC, approximately 1 mA
Connection:	Three wire
Frequency:	0 to 750 Hz
Cable:	10 ft. (3 m) Belden #9363

APPROVALS



FM Approved Sensor Kit

(Part No. 120077-01)



The Factory Mutual (FM) Approved Sensor is designed for use with any G2 Turbine Meter when rotor pulse data is required and the meter is located within a hazardous location. The output signal is compatible with existing GPI remote electronics. Use on G2 "Turbine Only" model.

This kit includes pickup, screws, coverplate and jam nut. Connection Kit sold separately.

Features and Benefits:

- ✓ Mounts to any G2 meter housing via the coverplate.
- ✓ Ideal for indoor or outdoor applications.
- ✓ Factory Mutual (Intrinsic Safe) Class 1, Div. 1, Groups ABCDEFG.

SPECIFICATIONS

Signal Type:	Open Collector (NPN)
Power Source:	8 to 30 VDC
Supply Current:	≤ 15 mA
Frequency:	5 to 10k Hz
Cable:	None provided - 3 conductor required for use
Temperature:	Sensor is capable of operating in the range of -40° F to +248° F (-40° C to +120° C). For Class I, II, III, Division 1: Group ABCDEFG and CSA: Class 1, Div. 1 Group ABCD, the following temperature codes apply: T6 +185° F (+85° C) at +149° F (+65° C) Ambient Temperature T5 +212° F (+100° C) at +186° F (+85° C) Ambient Temperature

APPROVALS



4-20 mA Module

(Part No. 125100-1)



4-20 mA
Module
Installed

Combine the 4-20 mA Module with an Industrial Grade Turbine and Computer Electronics to provide an industry standard analog signal for connection to a wide variety of chart recorders, display equipment and process control equipment.

This module outputs an analog signal which is directly proportional to the frequency of the digital output. With some simple adjustments, you can scale the module to represent whatever range is desired. Kit comes with circuit, assembly, enclosure and screws.

Features and Benefits:

- ✓ Communicates with most analog process control devices.
- ✓ Operating temperature range of +14° F to +140° F (-10° C to +60° C).
- ✓ Module installs on all turbine sizes.
- ✓ Provides external power to computer electronics.

SPECIFICATIONS

Signal Type:	Analog
Power:	Loop Powered
Voltage:	7 to 30 VDC
Strain Relief:	Hubble PG7
Cable:	10 ft. (3 m), Belden #9363

Pulse Access Module

(Part No. 125060-1)



Pulse Access
Module Installed

The Pulse Access Module provides an unscaled, digital signal from your GPI meter by accessing circuitry from the on-board computer readout.

This kit comes complete, ready to install, with a circuit assembly, coverplate assembly and 10 ft. of cable.

The Pulse Access Module requires both a GPI Turbine and an 09 Computer Electronics which are sold separately.

Features and Benefits:

- ✓ Provides a digital Open Collector signal.
- ✓ Operating temperature range of +14° F to +140° F (-10° C to +60° C).
- ✓ Can transmit signal up to 5,000 ft.
- ✓ Communicates with most digital process control devices and its easy to install.

SPECIFICATIONS

Signal Type:	Open Collector (NPN)
Voltage:	0 to 60 VDC
Frequency:	0 to 750 Hz
Strain Relief:	Hubble PG7
Cable:	10 ft. (3 m) Belden #9363

APPROVALS

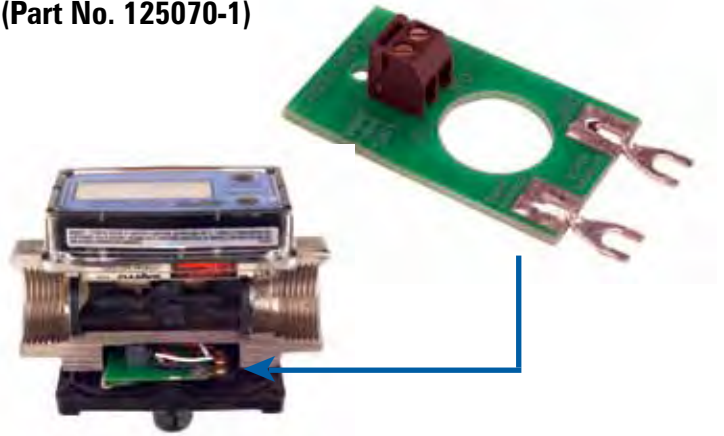


Features and Benefits:

- ✓ Internal batteries become a backup or auxiliary power source.
- ✓ Operating temperature range of +14° F to +140° F (-10° C to +60° C).
- ✓ Input power is 7 to 30 volt external power.

SPECIFICATIONS

Voltage:	7 to 30 VDC @ 1 mA
-----------------	--------------------

APPROVALS**External Power Module****(Part No. 125070-1)**

Combine the External Power Module and the GPI Pulse Access Module to provide external power capabilities to a GPI Electronic Digital Meter.

The module is designed to provide regulated power to the Computer Electronics. The batteries then become a backup or auxiliary power source.

If desired, a pulse output may be accessed. The unscaled, digital signal is capable of transmission up to 5,000 ft.

The Conduit Adapter allows you to enclose wiring from the magnetic pickup. The kit includes a turbine meter cover with a 1 inch male NPT conduit fitting and screws for plastic or metal installation.

*Conduit Adapter
Kit Installed*



Conduit Adapter Kit (Part No. 113437-01)



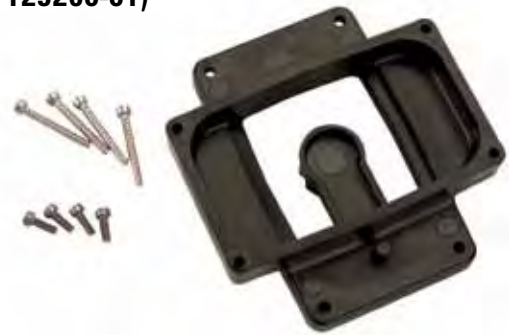
90° Display Adapter Kit allows for horizontal readout of vertical meters. Includes adapter, O-ring, screws and foam spacers required for installation.

Can be ordered with a meter.
Specify -19 option with meter order.

*Kit Shown Installed
on PVDF Meter*



90° Display Adapter Kit (Part No. 125260-01)



This new kit combines the Conduit Adapter with a magnetic pickup to allow easy installation of the 510 Series Displays or Transmitters to a G2 Meter.

*510 Conversion Kit
Installed*



510 Conversion Kit (Part No. 11344001)



Used with the Remote Kit, this part replaces the dust cover that houses the electronic display. This module provides a digital, open collector (NPN) output signal. Use this combination to communicate to a PLC or other piece of electronic equipment.

*Pulse Access Dust
Cover Installed*



Pulse Access Dust Cover (Part No. 125080-1)



The GPI Electronics Programmer is a system composed of a small USB interface unit, a USB cable, and a software program. This kit is perfect for reconfiguring multiple GPI Electronics for the first time or when changing the configuration over the life of the meter.

Used with your PC, it allows quick, convenient on-screen setting (and reading) of setup options and calibration data from many GPI Electronic Digital Meters (EDMs).

GPI Electronics Programmer (Part No. 113800-06)





GM SERIES OVAL GEAR METERS

GM Series Oval Gear Meters are designed for low flow and high accuracy. GM Series Meters are great for viscous fluids. Units are available with pulse output from either a Reed Switch or Hall Effect Sensor. Electronics choices for the GM Series Meters are covered in the Electronic Choices Section.

BUILD-YOUR-OWN GM SERIES METER

1) Select Your GM Meter

GM Meters come in a variety of sizes and materials.



Pulse Meter



Mechanical Meter



2) Select Your Sensor

Reed Switch
(Standard)

Hall Effect
Requires Dedicated Power Source

**Combo
Reed Switch / Hall Effect**
(Available on GM001, GM002 and GM003)



3) Select Your Electronics Choice

For further details and selections see the Electronics Section.



GA
4-20 mA Output Without Display
(Remote)



GG
Display With Pulse Output
(Remote)



GX
Display 4-20 mA Output
(Remote)



Pulse Output



4) Need a Strainer?

Oval Gear Meters work best with clean fluid, free of debris.

GPI carries Y Strainers to fit all models of Oval Gear Meters. These strainers range from 1/4 in. to 2 in. models. All sizes are 316 Stainless Steel and come complete with blow-off and plug. See page 79 for strainer specifications.



Product Identifier

- GM001** = Pulse Meter - 1/8 inch
- GM002** = Pulse Meter - 1/4 inch
- GM003** = Pulse Meter - 1/4 inch
- GM005** = Pulse Meter - 1/2 inch
- GM505** = Mechanical Meter - 1/2 inch
- GM006** = Pulse Meter - 3/4 inch
- GM007** = Pulse Meter - 1 inch
- GM010** = Pulse Meter - 1 inch
- GM510** = Mechanical Meter - 1 inch
- GM015** = Pulse Meter - 1-1/2 inch
- GM515** = Mechanical Meter - 1-1/2 inch
- GM020** = Pulse Meter - 2 inch
- GM520** = Mechanical Meter - 2 inch

Body Material

- A** = Aluminum (All models except GM007)
- C** = PPS w/Hastalloy C Shafts (Model GM007 only)
- I** = Intermediate Pressure Stainless Steel (Models GM001, GM002 & GM003)
- R** = PPS (Models GM002, GM003 & GM007)
- S** = Stainless Steel (All models except GM006 & GM007)

GM Series dimensions listed on page 76.

Fitting Type

- 1** = BSP (Female) Litre
- 2** = NPT (Female) Gallon
- 3** = NPT (Female) Litre (Models GM505, GM510, GM515 & GM520)
- 4** = 150# ANSI Flange Gallon (Models GM010, GM015, GM020, GM510, GM515, GM520 Aluminum & S.S. only)
- 5** = 150# ANSI Flange Litre (Models GM510, GM515, GM520 Aluminum & S.S. only)
- 6** = Tri-Clover® Fitting Gallon (Models GM010, GM015 S.S. only)

Sensor

- C** = Combination Reed Switch & Hall Effect (Models GM001, GM002 & GM003)
- H** = Hall Effect (Models GM005, GM006, GM007, GM010, GM015 & GM020)
- M** = Mechanical Display (Models GM505, GM510, GM515 & GM520 only)
- R** = Reed Switch (Models GM005, GM006, GM007, GM010, GM015 & GM020)

Rotor Materials

- 2** = PPS (Models GM002*, GM003*, GM005, GM006, GM007*, GM010, GM015, GM020, GM505, GM510, GM515 & GM520)
- 3** = High Viscosity PPS (Models GM005, GM010, GM015, GM020, GM505, GM510, GM515 & GM520)
- 4** = Stainless Steel (Models GM001, GM002, GM003, GM005, GM010, GM015, GM020, GM510, GM515 & GM520)
- 5** = High Viscosity S.S. (Models GM003, GM005, GM010, GM015, GM020, GM510, GM515 & GM520)

O-Ring

- 1** = Fluorocarbon
- 2** = Perfluoroelastomer (GM001, GM002 & GM003); PTFE on (GM005 and larger)

Electronics Choice

- 1** = Pulse Out - Aluminum (Models GM001, GM002, GM003, GM005, GM010, GM015 & GM020)
- 2** = Pulse Out - S.S. (Models GM001, GM002, GM003, GM005, GM010, GM015 & GM020)
- 3** = Pulse Out - Bronze (Models GM010 & GM015)
- 4** = Pulse Out - PPS (Models GM002, GM003 & GM007)
- 5** = GG500 - Standard Display (Models GM001, GM002, GM003, GM005, GM006, GM007, GM010, GM015 & GM020)
- 6** = GX500 - 4-20 mA Transmitter with Display (Models GM001, GM002, GM003, GM005, GM006, GM007, GM010, GM015 & GM020)
- 7** = GA500 - 4-20 mA Transmitter (Models GM001, GM002, GM003, GM005, GM006, GM007, GM010, GM015 & GM020)
- 9** = Mechanical (Models GM505, GM510, GM515 & GM520)

GM001 + A + 2 + R + 4 + 1 + 1 ← (Sample Model Number)

* Requires PPS body material.

GM001 - 1/8" OVAL GEAR PULSE METER



Shown here with
Local Display

The GM001 is one of three compact meters in the GM Series Meter line. This meter is small and accurate. Choose from either Aluminum or 316 Stainless Steel body materials, both with stainless steel rotors. The GM001 can handle a wide range of fluid viscosities.

For complete part number, see "Number Reference" chart on page 31.

ACCURACY: $\pm 1.0\%$ OF READING

Select Your Body Material:

Aluminum
Stainless Steel
Intermediate Pressure Stainless Steel



Features and Benefits:

- ✓ Up to 1,000 cps viscosity.
- ✓ Compact, durable and serviceable on-site. Extremely accurate even with viscous fluids.
- ✓ Meter design minimizes the number of wearable parts – extending product life.
- ✓ Handles particle sizes to 0.005"/0.127 mm.
- ✓ Comes with combination board (includes Reed Switch/Hall Effect Sensor*).
- ✓ Choose from a variety of Output and Display Options.
- ✓ Certificate of Accuracy supplied with meter.

GM001 – SPECIFICATIONS

Fitting Type:	BSP or NPT (Female)
Sensor Options:	Reed Switch / Hall Effect Sensor* Combo
Rotor Material:	316 Stainless Steel
O-Ring:	Fluorocarbon (Std.), Perfluoroelastomer (Optional)
Output Options:	Pulse Out or Local 4-20 mA Transmitter
Display Options:	Local Display Local Display with 4-20 mA Output
Flow Range:	0.13 - 13.2 GPH (0.5 - 50 LPH)
Flow Range @ < 5 cps:	0.53 - 13.2 GPH (2 - 50 LPH)
Accuracy:	$\pm 1.0\%$ of reading
Repeatability:	$\pm 0.03\%$
Maximum Viscosity:	1,000 cps
Pressure Rating:	
Aluminum:	75 PSI / 5 BAR
Stainless Steel:	150 PSI / 10 BAR
Intermed. Pressure SS:	800 PSI / 55 BAR
Maximum Temperature:	
Aluminum:	176° F / 80° C
Stainless Steel:	248° F / 120° C
Intermed. Pressure SS:	248° F / 120° C
Typical K-Factor:	5855.4 PPG / 1547 PPL
Wetted Mat'l. - Housing:	
Aluminum:	Aluminum with PPS Cap
Stainless Steel:	316 Stainless Steel
Intermed. Pressure SS:	316 Stainless Steel
Wetted Mat'l. - Rotor:	316 Stainless Steel
Wetted Mat'l. - Bearings:	Sapphire
Wetted Mat'l. - Shaft:	316 Stainless Steel
Frequency Range:	0.2 - 21.5 Hz @ 0.13 - 13.2 GPH
Recommended Strainer Size:	200 mesh
Shipping Weight (approx.):	
Aluminum:	1.0 lbs. (0.45 kg)
Stainless Steel:	2.0 lbs. (0.91 kg)
Intermed. Pressure SS:	2.0 lbs. (0.91 kg)
Remote Display:	Option Available: Model GG500
Remote Transmitter:	Options Available: Models GA500 & GX500

* Hall Effect Sensor requires dedicated power source.

GM002 - 1/4" OVAL GEAR PULSE METER

GM SERIES

GM002 – SPECIFICATIONS

Fitting Type:	BSP or NPT (Female)
Sensor Options:	Reed Switch / Hall Effect Sensor* Combo
Rotor Material:	PPS or 316 Stainless Steel
O-Ring:	Fluorocarbon (Std.), Perfluoroelastomer (Optional)
Output Options:	
Aluminum:	Pulse Out or Local 4-20 mA Transmitter
PPS:	Pulse Out or Local 4-20 mA Transmitter
Stainless Steel:	Pulse Out or Local 4-20 mA Transmitter
High Pressure SS:	Pulse Out
Intermed. Pressure SS:	Pulse Out or Local 4-20 mA Transmitter
Display Options:	Local Display Local Display with 4-20 mA Output
Flow Range:	0.53 - 26.4 GPH (2 - 100 LPH)
Flow Range @ < 5 cps:	1.32 - 26.4 GPH (5 - 100 LPH)
Accuracy:	± 1.0% of reading
Repeatability:	± 0.03%
Maximum Viscosity:	1,000 cps
Pressure Rating:	
Aluminum:	75 PSI / 5 BAR
PPS:	75 PSI / 5 BAR
Stainless Steel:	150 PSI / 10 BAR
Intermed. Pressure SS:	800 PSI / 55 BAR
Maximum Temperature:	
Aluminum:	176° F / 80° C
PPS:	176° F / 80° C
Stainless Steel:	248° F / 120° C
Intermed. Pressure SS:	248° F / 120° C
Typical K-Factor:	3785.4 PPG / 1000 PPL
Wetted Mat'l. - Housing:	
Aluminum:	Aluminum with PPS Cap
PPS:	PPS
Stainless Steel:	316 Stainless Steel
Intermed. Pressure SS:	316 Stainless Steel
Wetted Mat'l. - Rotor:	
Aluminum:	PPS or Stainless Steel
PPS:	PPS or Stainless Steel
Stainless Steel:	PPS or Stainless Steel
Intermed. Pressure SS:	PPS or Stainless Steel
Wetted Mat'l. - Bearings:	
Aluminum:	Bronze
PPS Rotor:	PPS
Stainless Steel:	Ceramic
Intermed. Pressure SS:	Ceramic
Wetted Mat'l. - Shaft:	
Aluminum:	316 Stainless Steel
PPS:	Hastalloy C / Stainless Steel
Stainless Steel:	316 Stainless Steel
Intermed. Pressure SS:	316 Stainless Steel
Frequency Range:	0.6 - 27.8 Hz @ 0.53 - 26.4 GPH
Recommended Strainer Size:	200 mesh
Shipping Weight (approx.):	Aluminum/PPS = 1 lb. (0.45 kg), SS/Intermediate Pressure SS = 2 lbs. (0.91 kg)
Remote Display:	Option Available: Model GG500
Remote Transmitter:	Options Available: Models GA500 & GX500

* Hall Effect Sensor requires dedicated power source.



The GM002 is one of the small capacity meters in the GM Series line and is differentiated by its flowrate capabilities. It has the ability to handle a wide range of fluid viscosities with exceptional levels of repeatability and durability.

For complete part number, see "Number Reference" chart on page 31.

ACCURACY: ±1.0% OF READING

Select Your Body Material:

Aluminum
PPS
Stainless Steel
High Pressure Stainless Steel
Intermediate Pressure Stainless Steel



Features and Benefits:

- ✓ Up to 1,000 cps viscosity.
- ✓ Compact size and extremely accurate even with viscous fluids.
- ✓ Meter design minimizes the number of wearable parts – extending product life.
- ✓ Handles particle sizes to 0.005"/0.127 mm.
- ✓ Comes with combination board (includes Reed Switch/Hall Effect Sensor*).
- ✓ Durable and serviceable on-site.
- ✓ Certificate of Accuracy supplied with meter.

GM003 - 1/4" OVAL GEAR PULSE METER



The GM003 is another of the GPI compact Pulse Meters. This 1/4-inch Pulse Meter has an increased flow range and offers the same ability to handle a wide range of fluid viscosities with exceptional levels of repeatability.

For complete part number, see "Number Reference" chart on page 31.

ACCURACY: $\pm 1.0\%$ OF READING

Select Your Body Material:

Aluminum
PPS
Stainless Steel
High Pressure Stainless Steel
Intermediate Pressure Stainless Steel



Features and Benefits:

- ✓ Up to 1,000 cps viscosity with standard rotor; 1,000,000 cps with high viscosity rotor.
- ✓ Compact size and extremely accurate even with viscous fluids.
- ✓ High viscosity stainless steel rotor available.
- ✓ Meter design minimizes the number of wearable parts – extending product life.
- ✓ Handles particle sizes to 0.005"/0.127 mm.
- ✓ Comes with combination board (includes Reed Switch/Hall Effect Sensor*).
- ✓ Choose from a variety of Output and Display Options.
- ✓ Certificate of Accuracy supplied with meter.

GM003 – SPECIFICATIONS

Fitting Type:	BSP or NPT (Female)
Sensor Options:	Reed Switch / Hall Effect Sensor* Combo
Rotor Materials:	PPS, 316 Stainless Steel or High Viscosity SS
O-Ring:	Fluorocarbon (Std.), Perfluoroelastomer (Optional)
Output Options:	
Aluminum:	Pulse Out or Local 4-20 mA Transmitter
PPS:	Pulse Out or Local 4-20 mA Transmitter
Stainless Steel:	Pulse Out or Local 4-20 mA Transmitter
High Pressure SS:	Pulse Out
Intermed. Pressure SS:	Pulse Out or Local 4-20 mA Transmitter
Display Options:	Local Display or Local Display w/4-20 mA Output
Flow Range:	4 - 132 GPH (15 - 500 LPH)
Flow Range @ < 5 cps:	6.60 - 132 GPH (25 - 500 LPH)
Accuracy:	$\pm 1.0\%$ of reading
Repeatability:	$\pm 0.03\%$
Maximum Viscosity:	Standard Rotors: 1,000 cps High Viscosity Rotors: 1,000,000 cps
Pressure Rating:	
Aluminum:	75 PSI / 5 BAR
PPS:	75 PSI / 5 BAR
Stainless Steel:	150 PSI / 10 BAR
Intermed. Pressure SS:	800 PSI / 55 BAR
Maximum Temperature:	
Aluminum:	176° F / 80° C
PPS:	176° F / 80° C
Stainless Steel:	248° F / 120° C
Intermed. Pressure SS:	248° F / 120° C
Typical K-Factor:	1514.2 PPG / 400 PPL
Wetted Mat'l. - Housing:	
Aluminum:	Aluminum with PPS Cap
PPS:	PPS
Stainless Steel:	316 Stainless Steel
Intermed. Pressure SS:	316 Stainless Steel
Wetted Mat'l. - Rotor:	
Aluminum:	PPS or Stainless Steel
PPS:	PPS or Stainless Steel
Stainless Steel:	PPS or Stainless Steel
Intermed. Pressure SS:	PPS or Stainless Steel
Wetted Mat'l. - Bearings:	
Aluminum:	Bronze
PPS Rotor:	N/A
Stainless Steel:	Ceramic
Intermed. Pressure SS:	Ceramic
Wetted Mat'l. - Shaft:	
Aluminum:	316 Stainless Steel
PPS:	Hastalloy C / Stainless Steel
Stainless Steel:	316 Stainless Steel
Intermed. Pressure SS:	316 Stainless Steel
Frequency Range:	1.7 - 55.5 Hz @ 4 - 132 GPH
Recommended Strainer Size:	200 mesh
Shipping Weight (approx.):	Aluminum/PPS = 1 lb. (0.45 kg), SS/Intermediate Pressure SS = 2 lbs. (0.91 kg)
Remote Display:	Option Available: Model GG500
Remote Transmitter:	Options Available: Models GA500 & GX500

* Hall Effect Sensor requires dedicated power source.

GM005 - 1/2" OVAL GEAR PULSE METER

GM SERIES

GM005 – SPECIFICATIONS

Fitting Type:	BSP or NPT (Female)
Sensor Options:	Reed Switch or Hall Effect Sensor*
Rotor Materials:	PPS or High Viscosity PPS 316 Stainless Steel or High Viscosity Stainless Steel
O-Ring:	Fluorocarbon (Standard), PTFE (Optional)
Output Options:	Pulse Out or Local 4-20 mA Transmitter
Display Options:	Local Display Local Display with 4-20 mA Output
Flow Range:	0.53 - 7.93 GPM (2 - 30 LPM)
Flow Range @ < 5 cps:	0.80 - 6.6 GPM (3 - 25 LPM)
Accuracy:	± 0.5% of reading
Repeatability:	± 0.03%
Maximum Viscosity:	Standard Rotors: 1,000 cps High Viscosity Rotors: 1,000,000 cps
Pressure Rating:	800 PSI / 55 BAR
Maximum Temperature:	
PPS Rotors:	176° F / 80° C
SS Rotors:	248° F / 120° C
Typical K-Factor:	
Single Pickup:	424 PPG / 112 PPL
Wetted Mat'l. - Housing:	
Aluminum:	Aluminum
Stainless Steel:	316 Stainless Steel
Wetted Mat'l. - Rotor:	
Aluminum:	PPS or Stainless Steel
Stainless Steel:	PPS or Stainless Steel
Wetted Mat'l. - Bearings:	
Aluminum:	PPS
Stainless Steel:	Carbon
Wetted Mat'l. - Shaft:	316 Stainless Steel
Frequency Range:	1.8 - 55.8 Hz @ 0.26 - 7.9 GPM
Recommended Strainer Size:	60 mesh
Shipping Weight (approx.):	
Aluminum:	3.25 lbs. (1.5 kg)
Stainless Steel:	6.0 lbs. (2.7 kg)
Remote Display:	Option Available: Model GG500
Remote Transmitter:	Options Available: Models GA500 & GX500

* Hall Effect Sensor requires dedicated power source.



The GM005 Meter is a low to medium flow range model. The construction of this meter allows for fast and easy servicing while installed.

For complete part number, see "Number Reference" chart on page 31.

ACCURACY: ±0.5% OF READING

Select Your Body Material:

Aluminum
Stainless Steel



Features and Benefits:

- ✓ High viscosity PPS and Stainless Steel rotors available.
- ✓ Extremely accurate even with viscous fluids.
- ✓ Handles particle sizes to 0.011"/0.28 mm.
- ✓ Meter design minimizes the number of wearable parts – extending product life.
- ✓ Comes with Reed Switch as standard, Hall Effect Sensor* optional.
- ✓ Choose from a variety of Output and Display Options.
- ✓ Certificate of Accuracy supplied with meter.



The GM505 is the 1/2 inch Mechanical Meter in the GM Series. Use this meter with low to medium flow ranges. The GM505 is available in three fitting/calibration combinations (NPT Gallon, NPT Litre and BSP Litre).

For complete part number, see "Number Reference" chart on page 31.

ACCURACY: $\pm 1.0\%$ OF READING

Select Your Body Material:

Aluminum
Stainless Steel



Features and Benefits:

- ✓ Cumulative and Resettable Totals.
- ✓ High viscosity PPS rotors available.
- ✓ Extremely accurate even with viscous fluids.
- ✓ Handles particle sizes to 0.011"/0.28 mm.
- ✓ Meter design minimizes the number of wearable parts – extending product life.
- ✓ Comes with easy-to-read Mechanical Display.
- ✓ Certificate of Accuracy supplied with meter.

GM505 – SPECIFICATIONS

Fitting Type:	BSP or NPT (Female)
Sensor Options:	Mechanical Display
Rotor Materials:	PPS or High Viscosity PPS
O-Ring:	Fluorocarbon (Standard), PTFE (Optional)
Output Options:	N/A
Display Options:	Mechanical Display
Flow Range:	0.53 - 7.93 GPM (2 - 30 LPM)
Flow Range @ < 5 cps:	0.80 - 6.6 GPM (3 - 25 LPM)
Accuracy:	$\pm 1.0\%$ of reading
Repeatability:	$\pm 0.03\%$
Maximum Viscosity:	Standard Rotors: 1,000 cps High Viscosity Rotors: 1,000,000 cps
Pressure Rating:	500 PSI / 34.5 BAR
Maximum Temperature:	176° F / 80° C
Typical K-Factor:	N/A
Wetted Mat'l. - Housing:	
Aluminum:	Aluminum
Stainless Steel:	316 Stainless Steel
Wetted Mat'l. - Rotor:	
Aluminum:	PPS
Stainless Steel:	PPS
Wetted Mat'l. - Bearings:	
Aluminum:	PPS
Stainless Steel:	PPS
Wetted Mat'l. - Shaft:	316 Stainless Steel
Frequency Range:	N/A
Recommended Strainer Size:	60 mesh
Shipping Weight (approx.):	
Aluminum:	3.75 lbs. (1.7 kg)
Stainless Steel:	6.5 lbs. (2.9 kg)

GM006 - 3/4" OVAL GEAR PULSE METER

GM SERIES

GM006 – SPECIFICATIONS

Fitting Type:	BSP or NPT (Female)
Sensor Options:	Reed Switch or Hall Effect Sensor*
Rotor Materials:	PPS
O-Ring:	Fluorocarbon (Standard), PTFE (Optional)
Output Options:	Pulse Out or Local 4-20 mA Transmitter
Display Options:	Local Display Local Display with 4-20 mA Output
Flow Range:	0.79 - 21.1 GPM (3 - 80 LPM)
Flow Range @ < 5 cps:	2.11 - 18.5 GPM (8 - 70 LPM)
Accuracy:	± 0.5% of reading
Repeatability:	± 0.03%
Maximum Viscosity:	Standard Rotors: 1,000 cps
Pressure Rating:	800 PSI / 55 BAR
Maximum Temperature:	
PPS Rotors:	176° F / 80° C
Typical K-Factor:	
Single Pickup:	197 PPG / 52 PPL
Wetted Mat'l. - Housing:	
Aluminum:	Aluminum
Wetted Mat'l. - Rotor:	PPS
Wetted Mat'l. - Bearings:	PPS
Wetted Mat'l. - Shaft:	316 Stainless Steel
Frequency Range:	2.6 - 51.9 Hz @ 0.8 - 15.8 GPM
Recommended Strainer Size:	60 mesh
Shipping Weight (approx.):	
Aluminum:	4.30 lbs. (1.9 kg)
Remote Display:	Option Available: Model GG500
Remote Transmitter:	Options Available: Models GA500 & GX500



The GM006 Meter is a low to medium flow range model. This meter is great for lubrication products and fluids compatible with aluminum.

For complete part number, see "Number Reference" chart on page 31.

ACCURACY: ±0.5% OF READING

Select Your Body Material:

Aluminum



Features and Benefits:

- ✓ Extremely accurate even with viscous fluids.
- ✓ Handles particle sizes to 0.011"/0.28 mm.
- ✓ Meter design minimizes the number of wearable parts – extending product life.
- ✓ Comes with Reed Switch as standard, Hall Effect Sensor* optional.
- ✓ Choose from a variety of Output and Display Options.
- ✓ Certificate of Accuracy supplied with meter.

* Hall Effect Sensor requires dedicated power source.

GM007 - 1" OVAL GEAR PULSE METER



Use the GM007 with aggressive chemicals, DEF and water. The PPS body and rotor materials provide excellent chemical compatibility in this 1-inch meter. This meter is a great choice when you need a rugged and reliable meter.

For complete part number, see "Number Reference" chart on page 31.

ACCURACY: $\pm 0.5\%$ OF READING

Select Your Body Material:

PPS
PPS with Hastalloy C Shafts



Features and Benefits:

- ✓ PPS body and rotors are excellent for aggressive chemicals.
- ✓ Extremely accurate even with viscous fluids.
- ✓ Handles particle sizes to 0.011"/0.28 mm.
- ✓ Meter design minimizes the number of wearable parts – extending product life.
- ✓ Comes with Reed Switch as standard, Hall Effect Sensor* optional.
- ✓ Choose from a variety of Output and Display Options.
- ✓ Certificate of Accuracy supplied with meter.

GM007 – SPECIFICATIONS

Fitting Type:	BSP or NPT (Female)
Sensor Options:	Reed Switch or Hall Effect Sensor*
Rotor Material:	PPS
O-Ring:	Fluorocarbon (Standard), PTFE (Optional)
Output Options:	Pulse Out or Local 4-20 mA Transmitter
Display Options:	Local Display Local Display with 4-20 mA Output
Flow Range:	0.79 - 21.1 GPM (3 - 80 LPM)
Flow Range @ < 5 cps:	2.11 - 18.5 GPM (8 - 70 LPM)
Accuracy:	$\pm 0.5\%$ of reading
Repeatability:	$\pm 0.03\%$
Maximum Viscosity:	1,000 cps
Pressure Rating:	150 PSI / 10 BAR
Maximum Temperature:	176° F / 80° C
Typical K-Factor:	
Single Pickup:	197 PPG / 52 PPL
Wetted Mat'l. - Housing:	PPS
Wetted Mat'l. - Rotor:	
PPS:	PPS
PPS with Hastalloy C:	PPS
Wetted Mat'l. - Bearings:	PPS
Wetted Mat'l. - Shaft:	
PPS:	316 Stainless Steel
PPS with Hastalloy C:	Hastalloy C
Frequency Range:	2.6 - 69.0 Hz @ 0.8 - 21 GPM
Recommended Strainer Size:	60 mesh
Shipping Weight (approx.):	3.0 lbs. (1.3 kg)
Remote Display:	Option Available: Model GG500
Remote Transmitter:	Options Available: Models GA500 & GX500

* Hall Effect Sensor requires dedicated power source.

GM010 - 1" OVAL GEAR PULSE METER

GM SERIES

GM010 – SPECIFICATIONS

Fitting Type:	
Aluminum:	BSP or NPT (Female), 150# ANSI Flange
Stainless Steel:	BSP or NPT (Female), 150# ANSI Flange
Sensor Options:	Reed Switch or Hall Effect Sensor*
Rotor Materials:	PPS or High Viscosity PPS, 316 Stainless Steel or High Viscosity Stainless Steel
O-Ring:	Fluorocarbon (Standard), PTFE (Optional)
Output Options:	Pulse Out or Local 4-20 mA Transmitter
Display Options:	Local Display Local Display with 4-20 mA Output
Flow Range:	1.59 - 31.7 GPM (6 - 120 LPM)
Flow Range @ < 5 cps:	2.64 - 26.4 GPM (10 - 100 LPM)
Accuracy:	± 0.5% of reading
Repeatability:	± 0.03%
Maximum Viscosity:	Standard Rotors: 1,000 cps High Viscosity Rotors: 1,000,000 cps
Pressure Rating:	800 PSI / 55 BAR or Flange Rule
Maximum Temperature:	
PPS Rotors:	176° F / 80° C
SS Rotors:	248° F / 120° C
Typical K-Factor:	
Single Pickup:	136.3 PPG / 36 PPL
Double Pickup:	272.6 PPG / 72 PPL
Wetted Mat'l. - Housing:	
Aluminum:	Aluminum
Stainless Steel:	316 Stainless Steel
Wetted Mat'l. - Rotor:	
Aluminum:	PPS or Stainless Steel
Stainless Steel:	PPS or Stainless Steel
Wetted Mat'l. - Bearings:	
Aluminum:	PPS
Stainless Steel:	Carbon
Wetted Mat'l. - Shaft:	316 Stainless Steel
Frequency Range:	3.6 - 72.7 Hz @ 1.6 - 332 GPM
Recommended Strainer Size:	60 mesh
Shipping Weight (approx.):	
Aluminum:	4.9 lbs. (2.2 kg) - Pulse 6.6 lbs. (2.9 kg) - 150# ANSI Flange
Stainless Steel:	12.5 lbs. (5.7 kg) - Pulse 14.6 lbs. (6.6 kg) - 150# ANSI Flange
Remote Display:	Option Available: Model GG500
Remote Transmitter:	Options Available: Models GA500 & GX500

* Hall Effect Sensor requires dedicated power source.



GM010 shown here with Local Display

The GM010 Meter is a 1-inch meter available in Aluminum or 316 Stainless Steel body materials. Optional 150# ANSI Flange Fittings are available on the GM010.

For complete part number, see "Number Reference" chart on page 31.

ACCURACY: ±0.5% OF READING

Select Your Body Material:

Aluminum
Stainless Steel



Features and Benefits:

- ✓ Extremely accurate even with viscous fluids.
- ✓ Handles particle sizes to 0.011"/0.28 mm.
- ✓ Meter design minimizes the number of wearable parts – extending product life.
- ✓ Comes with Reed Switch as standard, Hall Effect Sensor* optional.
- ✓ Choose from a variety of Output and Display Options.
- ✓ Certificate of Accuracy supplied with meter.



The GM510 is a Mechanical Meter available in Aluminum or 316 Stainless Steel body materials. Optional 150# ANSI Flanges are available on the GM510.

For complete part number, see "Number Reference" chart on page 31.

ACCURACY: $\pm 1.0\%$ OF READING

Select Your Body Material:

Aluminum
Stainless Steel



Features and Benefits:

- ✓ Cumulative and Resettable Totals.
- ✓ BSP or NPT fittings are standard, optional 150# ANSI Flanges are available.
- ✓ Extremely accurate even with viscous fluids.
- ✓ Handles particle sizes to 0.011"/0.28 mm.
- ✓ Meter design minimizes the number of wearable parts – extending product life.
- ✓ Comes with easy-to-read Mechanical Display.
- ✓ Certificate of Accuracy supplied with meter.

GM510 – SPECIFICATIONS

Fitting Type:	
Aluminum:	BSP or NPT (Female), 150# ANSI Flange
Stainless Steel:	BSP or NPT (Female), 150# ANSI Flange
Sensor Options:	Mechanical Display
Rotor Materials:	PPS or High Viscosity PPS, 316 Stainless Steel or High Viscosity Stainless Steel
O-Ring:	Fluorocarbon (Standard), PTFE (Optional)
Output Options:	N/A
Display Options:	Mechanical Display
Flow Range:	1.59 - 31.7 GPM (6 - 120 LPM)
Flow Range @ < 5 cps:	2.64 - 26.4 GPM (10 - 100 LPM)
Accuracy:	$\pm 1.0\%$ of reading
Repeatability:	$\pm 0.03\%$
Maximum Viscosity:	Standard Rotors: 1,000 cps High Viscosity Rotors: 1,000,000 cps
Pressure Rating:	500 PSI / 34.5 BAR or Flange Rule
Maximum Temperature:	
PPS Rotors:	176° F / 80° C
SS Rotors:	248° F / 120° C
Typical K-Factor:	N/A
Wetted Mat'l. - Housing:	
Aluminum:	Aluminum
Stainless Steel:	316 Stainless Steel
Wetted Mat'l. - Rotor:	
Aluminum:	PPS or Stainless Steel
Stainless Steel:	PPS or Stainless Steel
Wetted Mat'l. - Bearings:	
Aluminum:	PPS
Stainless Steel:	Carbon
Wetted Mat'l. - Shaft:	316 Stainless Steel
Frequency Range:	N/A
Recommended Strainer Size:	60 mesh
Shipping Weight (approx.):	
Aluminum:	4.9 lbs. (2.2 kg) - Pulse 7.0 lbs. (3.1 kg) - 150# ANSI Flange
Stainless Steel:	11.7 lbs. (5.3 kg) - Pulse 13.6 lbs. (6.2 kg) - 150# ANSI Flange

GM015 - 1-1/2" OVAL GEAR PULSE METER

GM SERIES

GM015 – SPECIFICATIONS

Fitting Type:	
Aluminum:	BSP or NPT (Female), 150# ANSI Flange
Stainless Steel:	BSP or NPT (Female), 150# ANSI Flange
Sensor Options:	Reed Switch or Hall Effect Sensor*
Rotor Materials:	PPS or High Viscosity PPS, 316 Stainless Steel or High Viscosity Stainless Steel
O-Ring:	Fluorocarbon (Standard), PTFE (Optional)
Output Options:	Pulse Out or Local 4-20 mA Transmitter
Display Options:	Local Display Local Display with 4-20 mA Output
Flow Range:	2.64 - 66 GPM (10 - 250 LPM)
Flow Range @ < 5 cps:	3.96 - 62.1 GPM (15 - 235 LPM)
Accuracy:	± 0.5% of reading
Repeatability:	± 0.03%
Maximum Viscosity:	Standard Rotors: 1,000 cps High Viscosity Rotors: 1,000,000 cps
Pressure Rating:	
Aluminum:	800 PSI / 55 BAR or Flange Rule
Stainless Steel:	800 PSI / 55 BAR or Flange Rule
Maximum Temperature:	
PPS Rotors:	176° F / 80° C
SS Rotors:	248° F / 120° C
Typical K-Factor:	
Single Pickup:	54.9 PPG / 14.5 PPL
Double Pickup:	109.8 PPG / 29 PPL
Wetted Mat'l. - Housing:	
Aluminum:	Aluminum
Stainless Steel:	316 Stainless Steel
Wetted Mat'l. - Rotor:	
Aluminum:	PPS or Stainless Steel
Stainless Steel:	PPS or Stainless Steel
Wetted Mat'l. - Bearings:	
Aluminum:	PPS
Stainless Steel:	Carbon
Wetted Mat'l. - Shaft:	316 Stainless Steel
Frequency Range:	2.4 - 60.4 Hz @ 2.6 - 66 GPM
Recommended Strainer Size:	60 mesh
Shipping Weight (approx.):	
Aluminum:	10.0 lbs. (4.5 kg) - Pulse 12.0 lbs. (5.4 kg) - 150# ANSI Flange
Stainless Steel:	18.4 lbs. (8.4 kg) - Pulse 20.9 lbs. (9.4 kg) - 150# ANSI Flange
Remote Display:	Option Available: Model GG500
Remote Transmitter:	Options Available: Models GA500 & GX500

* Hall Effect Sensor requires dedicated power source.



The GM015 is our medium to large capacity meter with 1-1/2-inch fittings. Optional 150# ANSI Flange Fittings are available on the GM015. The GM015 can be installed without regard to straight pipe runs, making installation easy.

For complete part number, see "Number Reference" chart on page 31.

ACCURACY: ±0.5% OF READING

Select Your Body Material:

Aluminum
Stainless Steel



Features and Benefits:

- ✓ Extremely accurate even with viscous fluids.
- ✓ Handles particle sizes to 0.011"/0.28 mm.
- ✓ Meter design minimizes the number of wearable parts – extending product life.
- ✓ Comes with Reed Switch as standard, Hall Effect Sensor* optional.
- ✓ Choose from a variety of Output and Display Options.
- ✓ Certificate of Accuracy supplied with meter.



The GM515 is a medium to large capacity meter with Mechanical Sensor and Display. Optional 150# ANSI Flanges are available on the GM515 model. This meter can handle high viscosity fluids without sacrificing accuracy.

For complete part number, see "Number Reference" chart on page 31.

ACCURACY: $\pm 1.0\%$ OF READING

Select Your Body Material:

Aluminum
Stainless Steel



Features and Benefits:

- ✓ Cumulative and Resettable Totals.
- ✓ Models available with BSP, NPT or 150# ANSI Flange Fittings.
- ✓ Extremely accurate even with viscous fluids.
- ✓ Handles particle sizes to 0.015"/0.38 mm.
- ✓ Meter design minimizes the number of wearable parts – extending product life.
- ✓ Comes with easy-to-read Mechanical Display.
- ✓ Certificate of Accuracy supplied with meter.

GM515 – SPECIFICATIONS

Fitting Type:	BSP or NPT (Female), 150# ANSI Flange
Sensor Options:	Mechanical Display
Rotor Materials:	PPS or High Viscosity PPS, 316 Stainless Steel or High Viscosity Stainless Steel
O-Ring:	Fluorocarbon (Standard), PTFE (Optional)
Output Options:	N/A
Display Options:	Mechanical Display
Flow Range:	2.64 - 66 GPM (10 - 250 LPM)
Flow Range @ < 5 cps:	3.96 - 62.1 GPM (15 - 235 LPM)
Accuracy:	$\pm 1.0\%$ of reading
Repeatability:	$\pm 0.03\%$
Maximum Viscosity:	Standard Rotors: 1,000 cps High Viscosity Rotors: 1,000,000 cps
Pressure Rating:	
Aluminum:	500 PSI / 34.5 BAR
Stainless Steel:	500 PSI / 34.5 BAR or Flange Rule
Maximum Temperature:	
PPS Rotors:	176° F / 80° C
SS Rotors:	248° F / 120° C
Typical K-Factor:	N/A
Wetted Mat'l. - Housing:	
Aluminum:	Aluminum
Stainless Steel:	316 Stainless Steel
Wetted Mat'l. - Rotor:	
Aluminum:	PPS or Stainless Steel
Stainless Steel:	PPS or Stainless Steel
Wetted Mat'l. - Bearings:	
Aluminum:	PPS
Stainless Steel:	Carbon
Wetted Mat'l. - Shaft:	316 Stainless Steel
Frequency Range:	N/A
Recommended Strainer Size:	60 mesh
Shipping Weight (approx.):	
Aluminum:	9.9 lbs. (4.5 kg) - Mechanical 12.0 lbs. (5.4 kg) - 150# ANSI Flange
Stainless Steel:	17.6 lbs. (8.0 kg) - Mechanical 20.2 lbs. (9.2 kg) - 150# ANSI Flange

GM020 - 2" OVAL GEAR PULSE METER

GM SERIES

GM020 – SPECIFICATIONS

Fitting Type:	
Aluminum:	BSP or NPT (Female), 150# ANSI Flange
Stainless Steel:	150# ANSI Flange
Sensor Options:	Reed Switch or Hall Effect Sensor*
Rotor Materials:	PPS or High Viscosity PPS, 316 Stainless Steel or High Viscosity Stainless Steel
O-Ring:	Fluorocarbon (Standard), PTFE (Optional)
Output Options:	Pulse Out or Local 4-20 mA Transmitter
Display Options:	Local Display Local Display with 4-20 mA Output
Flow Range:	3.96 - 92.5 GPM (15 - 350 LPM)
Flow Range @ < 5 cps:	7.93 - 79.3 GPM (30 - 300 LPM)
Accuracy:	± 0.5% of reading
Repeatability:	± 0.03%
Maximum Viscosity:	Standard Rotors: 1,000 cps High Viscosity Rotors: 1,000,000 cps
Pressure Rating:	
Aluminum:	800 PSI / 55 BAR or Flange Rule
Stainless Steel:	Flange Rule
Maximum Temperature:	
PPS Rotors:	176° F / 80° C
SS Rotors:	248° F / 120° C
Typical K-Factor:	
Single Pickup:	25.3 PPG / 6.7 PPL
Double Pickup:	50.6 PPG / 13.4 PPL
Wetted Mat'l. - Housing:	
Aluminum:	Aluminum
Stainless Steel:	316 Stainless Steel
Wetted Mat'l. - Rotor:	
Aluminum:	PPS or Stainless Steel
Stainless Steel:	PPS or Stainless Steel
Wetted Mat'l. - Bearings:	
Aluminum:	PPS
Stainless Steel:	Carbon
Wetted Mat'l. - Shaft:	316 Stainless Steel
Frequency Range:	1.7 - 39.0 Hz @ 4.0 - 92.5 GPM
Recommended Strainer Size:	60 mesh
Shipping Weight (approx.):	
Aluminum:	17.1 lbs. (7.8 kg) - Pulse 20.1 lbs. (9.1 kg) - 150# ANSI Flange
Stainless Steel:	20.1 lbs. (9.1 kg) - Pulse 46.3 lbs. (2.1 kg) - 150# ANSI Flange
Remote Display:	Option Available: Model GG500
Remote Transmitter:	Options Available: Models GA500 & GX500

* Hall Effect Sensor requires dedicated power source.



The GM020 is the largest of our GM Series Meters. The fitting size is 2 inches on this large meter. This meter includes NPT or BSP fittings as standard. Choose from four rotor options; PPS is standard.

For complete part number, see "Number Reference" chart on page 31.

ACCURACY: ±0.5% OF READING

Select Your Body Material:

Aluminum
Stainless Steel



Features and Benefits:

- ✓ Models available with BSP, NPT or 150# ANSI Flange Fittings.
- ✓ Extremely accurate even with viscous fluids.
- ✓ Handles particle sizes to 0.011"/0.28 mm.
- ✓ Meter design minimizes the number of wearable parts – extending product life.
- ✓ Comes with Reed Switch as standard, Hall Effect Sensor* optional.
- ✓ Choose from a variety of Output and Display Options.
- ✓ Certificate of Accuracy supplied with meter.

GM520 - 2" OVAL GEAR MECHANICAL METER



The GM520 is the Mechanical version of our large capacity meter. Choose from either Aluminum or 316 Stainless Steel body materials. This meter can be mounted horizontally or vertically depending on your application.

For complete part number, see "Number Reference" chart on page 31.

ACCURACY: $\pm 1.0\%$ OF READING

Select Your Body Material:

Aluminum
Stainless Steel



Features and Benefits:

- ✓ Cumulative and Resettable Totals.
- ✓ Five Fitting / Calibration offerings are available, 150# ANSI Flanges are one of the options.
- ✓ Extremely accurate even with viscous fluids.
- ✓ Handles particle sizes to 0.015"/0.38 mm.
- ✓ Meter design minimizes the number of wearable parts – extending product life.
- ✓ Comes with easy-to-read Mechanical Display.
- ✓ Certificate of Accuracy supplied with meter.

GM520 – SPECIFICATIONS

Fitting Type:	
Aluminum:	BSP or NPT (Female), 150# ANSI Flange
Stainless Steel:	150# ANSI Flange
Sensor Options:	Mechanical Display
Rotor Materials:	PPS or High Viscosity PPS, 316 Stainless Steel or High Viscosity Stainless Steel
O-Ring:	Fluorocarbon (Standard), PTFE (Optional)
Output Options:	N/A
Display Options:	Mechanical Display
Flow Range:	3.96 - 92.5 GPM (15 - 350 LPM)
Flow Range @ < 5 cps:	7.93 - 79.3 GPM (30 - 300 LPM)
Accuracy:	$\pm 1.0\%$ of reading
Repeatability:	$\pm 0.03\%$
Maximum Viscosity:	Standard Rotors: 1,000 cps High Viscosity Rotors: 1,000,000 cps
Pressure Rating:	
Aluminum:	500 PSI / 34.5 BAR or Flange Rule
Stainless Steel:	Flange Rule
Maximum Temperature:	
PPS Rotors:	176° F / 80° C
SS Rotors:	248° F / 120° C
Typical K-Factor:	N/A
Wetted Mat'l. - Housing:	
Aluminum:	Aluminum
Stainless Steel:	316 Stainless Steel
Wetted Mat'l. - Rotor:	
Aluminum:	PPS or Stainless Steel
Stainless Steel:	PPS or Stainless Steel
Wetted Mat'l. - Bearings:	PPS Carbon
Wetted Mat'l. - Shaft:	316 Stainless Steel
Frequency Range:	N/A
Recommended Strainer Size:	60 mesh
Shipping Weight (approx.):	
Aluminum:	17.1 lbs. (7.7 kg) - Mechanical 20.1 lbs. (9.1 kg) - 150# ANSI Flange
Stainless Steel:	46.3 lbs. (2.1 kg) - 150# ANSI Flange



TM SERIES WATER METERS



GPI Water Meters are accurate, economical and designed to last. Choose GPI Water Meters for water processing and irrigation applications. The TM Series Water Meters meet Schedule 80 PVC specifications and come standard with the low-profile display. Meters come in seven sizes with three fitting types, offering flowrates from 1 - 800 GPM.

TM SERIES METER NUMBER REFERENCE

Product Identifier

TM = Water Meter

Turbine Size

- 050** = Schedule 80 PVC, 1/2 inch
- 075** = Schedule 80 PVC, 3/4 inch
- 100** = Schedule 80 PVC, 1 inch
- 150** = Schedule 80 PVC, 1-1/2 inch
- 200** = Schedule 80 PVC, 2 inch
- 300** = Schedule 80 PVC, 3 inch
- 400** = Schedule 80 PVC, 4 inch

Meter Dimensions listed on page 77.

Fitting Type

- Blank** = Spigot (Pipe) End
- N** = NPT (Female)
- F** = 150# ANSI Flange (3 in. and 4 in. meters only)

Electronic Choices

- Blank** = Local Display
- P** = Pulse Output
- GA** = 4-20 mA Output, No Display (3 in. and 4 in. meters only)
- GG** = Pulse Output, With Display (3 in. and 4 in. meters only)
- GX** = 4-20 mA Output, With Display (3 in. and 4 in. meters only)
- SC** = Scaled Pulse Output (3 in. and 4 in. meters only)

TM + **300** + **-N** + **-GA** ← (Sample Model Number)

TM SERIES 1/2" - 2" WATER METERS

TM SERIES

TM SERIES – SPECIFICATIONS

Design Type:	Turbine	
Fitting Size:	1/2" 3/4" 1" 1-1/2" 2"	
Fitting Type:	Schedule 80 Spigot (Pipe) End or NPT (Female)	
Flow Range:		
1/2" - TM050:	1 - 10 GPM (3.8 - 38 LPM)	
3/4" - TM075:	2 - 20 GPM (7.6 - 76 LPM)	
1" - TM100:	5 - 50 GPM (19 - 190 LPM)	
1-1/2" - TM150:	10 - 100 GPM (38 - 380 LPM)	
2" - TM200:	20 - 200 GPM (76 - 760 LPM)	
Accuracy:	± 3.0% of reading	
Pressure Rating:	225 PSIG / 15.3 BAR at 73° F (23° C)	
Operating Temperature:	+32° F to +140° F (0° to +60° C)	
Battery Life:	5 Years	
Wetted Materials:		
Housing:	PVC	
Bearings:	Ceramic	
Shaft:	Tungsten Carbide	
Rotor:	PVDF	
Rings:	316 Stainless Steel	
Shipping Weight (approx.):	Spigot	NPT
1/2" - TM050:	.38 lbs. (.172 kg)	.55 lbs. (.249 kg)
3/4" - TM075:	.43 lbs. (.304 kg)	.67 lbs. (.304 kg)
1" - TM100:	.49 lbs. (.222 kg)	.49 lbs. (.381 kg)
1-1/2" - TM150:	.66 lbs. (.299 kg)	1.38 lbs. (.626 kg)
2" - TM200:	.78 lbs. (.354 kg)	1.78 lbs. (.807 kg)
Display Features:	Rate of Flow, Batch and Cumulative Totals, Field Calibration available	
Pulse Output:	Open Collector (NPN)	

APPROVALS



Model TM150-N



"Look for the blue label!"

TM Series Meters are designed for use in water applications. The five smallest sizes are shown here. (For 3" and 4" meters, see next page.) Choose either Spigot (pipe end) or NPT or fittings.

For complete part number, see "Number Reference" chart on page 46.

ACCURACY: ±3.0% READING

Features and Benefits:

- ✓ Easy to install.
- ✓ Displays in gallons, litres and cubic feet.
- ✓ Indicates Batch, Cumulative Totals and Rate of Flow.
- ✓ Available in NPT or Spigot fittings.
- ✓ Meets Schedule 80 specifications.
- ✓ Lithium battery life: 5 years.
- ✓ Non-volatile totals means amounts are retained when batteries are replaced or power is lost.

Model TM050



"Look for the blue label!"

Model TM200



"Look for the blue label!"

Applications:

- OEM water treatment equipment / skids
- Small waste water treatment equipment
- Sub-metering of facility water usage
- Water based cooling systems

TM SERIES 3" & 4" WATER METERS

Model - TM300-F



"Look for the blue label!"

TM Series Meters are designed for use in water applications. The 3" and 4" models are shown here. Choose Spigot (pipe end), NPT or 150# ANSI Flange fittings.

For complete part number, see "Number Reference" chart on page 46.

TM SERIES – SPECIFICATIONS

Design Type:	Turbine		
Fitting Size:	3" 4"		
Fitting Type:	Schedule 80 Spigot (Pipe) End, NPT (Female) or 150# ANSI Flange		
Flow Range:			
3" - TM 300:	40 - 400 GPM (151 - 1514 LPM)		
Extended Range:	30 - 600 GPM (131 - 2271 LPM)		
4" - TM400:	60 - 600 GPM (227 - 2271 LPM)		
Extended Range:	40 - 800 GPM (151 - 3028 LPM)		
Accuracy:	± 3.0% of reading		
Pressure Rating:	225 PSIG / 15.3 BAR at 73° F (23° C)		
For CE Applications:	135 PSIG / 9.1 BAR at 73° F (23° C)		
Operating Temperature:	+32° F to +140° F (0° to +60° C)		
Battery Life:	5 Years		
Wetted Materials:			
Housing:	PVC		
Bearings:	PEEK		
Shaft & Thrust Washers:	Stainless Steel		
Rotor & Nose Cone:	Acetal		
Signal Generator:	Ferrite		
Shipping Weight (approx.):	Spigot	NPT	Flange
3" - TM300:	2.4 lbs. (1.09 kg)	3.9 lbs. (1.77 kg)	5.8 lbs. (2.63 kg)
4" - TM400:	3.7 lbs. (1.68 kg)	6.1 lbs. (2.77 kg)	9.2 lbs. (4.17 kg)
Display Features:	Rate of Flow, Batch and Cumulative Totals, Field Calibration available		
Pulse Output:	Open Collector (NPN)		

ACCURACY: ±3.0% READING

Features and Benefits:

- ✓ Available in Spigot, NPT and Flange fittings.
- ✓ Displays in gallons, litres and cubic feet.
- ✓ Indicates Batch, Cumulative Totals and Rate of Flow.
- ✓ One-piece field replaceable turbine assembly.
- ✓ Spigot models may be cut to length.
- ✓ Meets Schedule 80 specifications.
- ✓ Lithium battery life: 5 years.
- ✓ Non-volatile totals means amounts are retained when batteries are replaced or power is lost.



Applications:

- OEM water treatment equipment / skids
- Sub-metering of facility water usage
- Waste water treatment equipment
- Chemical feed systems
- Cooling towers
- Irrigation

ELECTRONIC CHOICES

GG, GX, GA or SC: See Electronics Section.

APPROVALS



Spigot Model - TM400 Shown



"Look for the blue label!"

NPT Model - TM300-N Shown



"Look for the blue label!"



"Look for the silver label!"

A1 SERIES COMMERCIAL GRADE METERS



"Look for the silver label!"

Commercial Grade Meters are designed as self-contained, battery powered units. These indicating meters come in Aluminum or Nylon only. A1 Meters are not field serviceable like the popular G2 Series Meters. For flowmeters with advanced features and additional housing materials, refer to the G Series, G2 Series, GM Series or TM Series sections in this catalog.

1) Select Your Turbine



Aluminum



Nylon



2) Select Your Electronic Choice

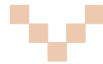
For further details see the Electronics Section.



"Look for the silver label!"
09 Computer



XX No Computer



3) Select Your Module

For further details see pages 54-55.



Standard Remote Kit



FM Approved Remote Kit



Conditioned Signal Output Module



4) Do You Require Any Accessories?

For further details see page 56.



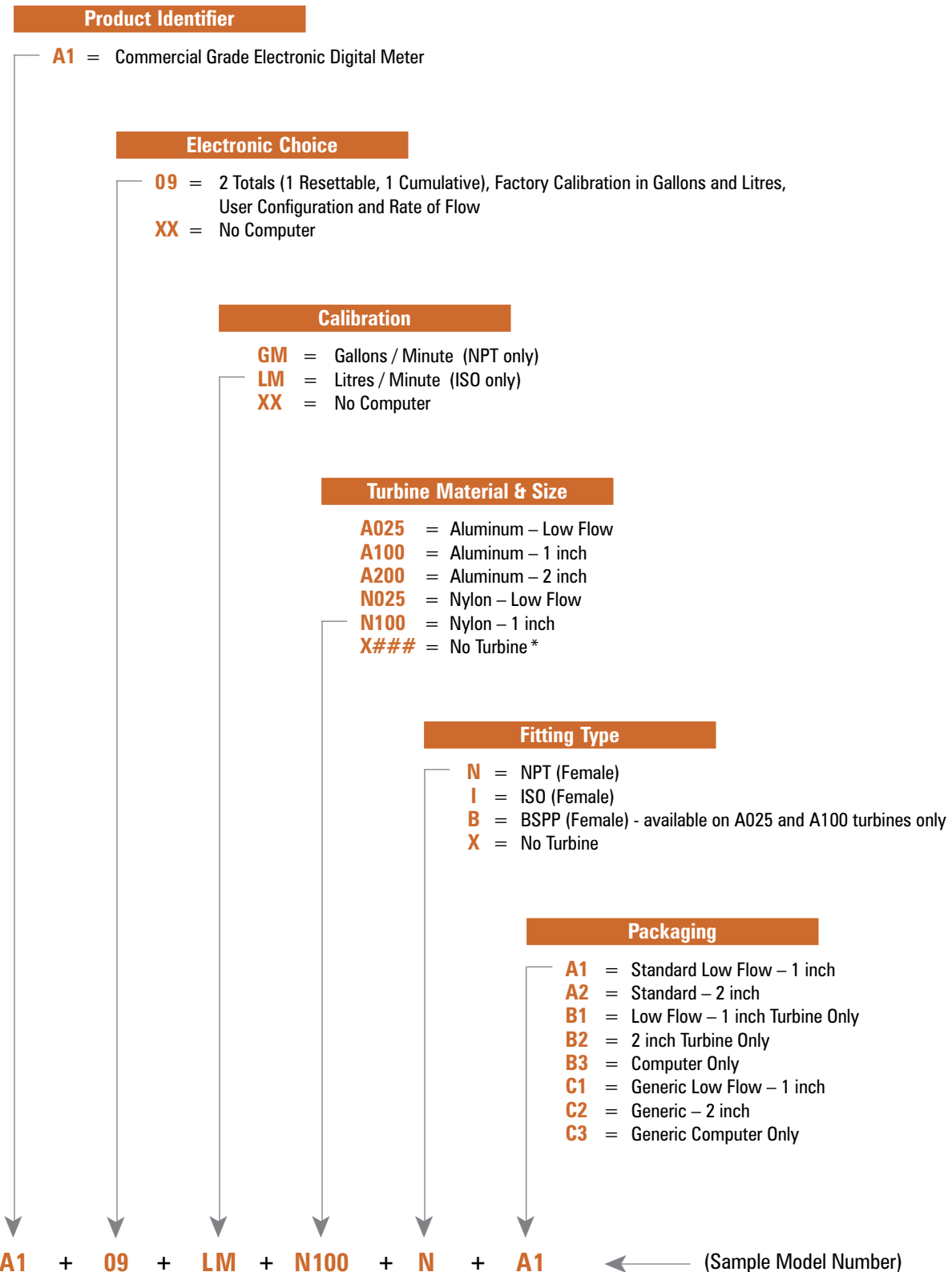
Display Adapter Kit



GPI Electronics Programmer

A1 SERIES METER NUMBER REFERENCE

A1 SERIES



* When ordering Computer Assembly Only, specify Turbine Housing size.

A1 COMMERCIAL GRADE METERS

GPI Commercial Grade Meters are identified by an A1 prefix. Commercial Grade Meters are packaged as a self-contained unit. Select this meter when you need an accurate, basic meter. GPI Commercial Grade Meters come in Aluminum or Nylon housing material.

Choose one of three sizes of Aluminum meters for petroleum products. Use the Nylon meters for water or non-aggressive chemicals.



Aluminum

"Look for the silver label!"



Nylon

For complete part number, see "Number Reference" chart on page 51.

ACCURACY: ±1.5% READING
(On models A100, A200 and N100)

Select Your Fitting Size:

Aluminum

Low Flow 1 inch 2 inch

Nylon

Low Flow 1 inch

Features and Benefits:

- ✓ Unique package combines Turbine and LCD into a self-contained, compact, economical meter.
- ✓ Local Display Computer features: 2 Totals (1 Resettable, 1 Cumulative); Factory Calibration in gallons and litres; User Configuration and Rate of Flow.
- ✓ Output capabilities available to communicate with process control equipment.
- ✓ Lightweight, compact design allows for easy installation.
- ✓ Lithium battery life: 5 years.

APPROVALS



ATEX

IP44

A1 METER SPECIFICATIONS

A1 SERIES

	ALUMINUM			NYLON	
	A025 (Low Flow)	A100 (1 inch)	A200 (2 inch)	N025 (Low Flow)	N100 (1 inch)
Design Type:	Paddlewheel	Turbine	Turbine	Paddlewheel	Turbine
Housing Material:	Aluminum	Aluminum	Aluminum	Nylon	Nylon
Fitting Size:	1 inch	1 inch	2 inch	1 inch	1 inch
Fitting Type:	NPT, ISO or BSPP(female)	NPT, ISO or BSPP(female)	NPT or ISO (female)	NPT or ISO (female)	NPT or ISO (female)
Flow Range (GPM):	0.3 - 3 GPM	3 - 50 GPM	30 - 300 GPM	0.3 - 3 GPM	3 - 50 GPM
Flow Range (LPM):	1 - 11 LPM	11 - 190 LPM	114 - 1,135 LPM	1 - 11 LPM	11 - 190 LPM
Accuracy:	N/A *	± 1.5% of reading	± 1.5% of reading	N/A *	± 1.5% of reading
Repeatability:	± 1%	± 0.2%	± 0.2%	± 1%	± 0.2%
Pressure Rating:	300 PSI / 21 BAR	300 PSI / 21 BAR	300 PSI / 21 BAR	150 PSI / 10.2 BAR	150 PSI / 10.2 BAR
Operating Temperature Range:	-40° F to +250° F (-40° C to +121° C)	-40° F to +250° F (-40° C to +121° C)	-40° F to +250° F (-40° C to +121° C)	-40° F to +250° F (-40° C to +121° C)	-40° F to +250° F (-40° C to +121° C)
with Computer:	0° F to +140° F (-18° C to +60° C)	0° F to +140° F (-18° C to +60° C)	0° F to +140° F (-18° C to +60° C)	0° F to +140° F (-18° C to +60° C)	0° F to +140° F (-18° C to +60° C)
Wetted Material - Housing:	Aluminum	Aluminum	Aluminum	Nylon	Nylon
Bearings:	Ceramic	Ceramic	Ceramic	Ceramic	Ceramic
Shaft:	Tungsten Carbide	Tungsten Carbide	Tungsten Carbide	Tungsten Carbide	Tungsten Carbide
Rotor:	Nylon	Nylon	Nylon	Nylon	Nylon
Signal Generators:	Ferrite	Ferrite	Ferrite	Ferrite	Ferrite
Rings:	316 Stainless Steel	316 Stainless Steel	316 Stainless Steel	316 Stainless Steel	316 Stainless Steel
Typical K-Factor:	2200	730	72	2200	730
Frequency Range:	11 - 110 Hz @ 0.3 - 3 GPM	36.5 - 608.3 Hz @ 3 - 50 GPM	36 - 360 Hz @ 30 - 300 GPM	11 - 110 Hz @ 0.3 - 3 GPM	36.5 - 608.3 Hz @ 3 - 50 GPM
Recommended Strainer Size:	55 mesh	28 mesh	28 mesh	55 mesh	28 mesh
Shipping Weight:	1.35 lbs. (0.61 kg)	1.35 lbs. (0.61 kg)	3.0 lbs. (1.36 kg)	1.0 lbs. (0.5 kg)	1.0 lbs. (0.5 kg)
Local Display:	09 Computer (See page 63)	09 Computer (See page 63)	09 Computer (See page 63)	09 Computer (See page 63)	09 Computer (See page 63)

* Accuracy can vary up to ± 5% depending on installation and fluid type.
Field Calibration is recommended for best accuracy.

FM Approved Remote Kit Assembly (Part No. 113275-1)



*FM Approved
Remote Kit
Assembly Installed*

The Factory Mutual (FM) Approved Remote Kit Assembly modifies GPI Electronic Digital Meters for applications in specialized situations including remote indication and high or low fluid temperature metering applications. This kit provides the versatility of panel mounting of the LCD readout up to 100 ft. from the turbine.

This kit consists of a sensor module, a dust cover assembly and 10 ft. of cable; it also requires a 09 Computer.

Features and Benefits:

- ✓ Maintains FM Approval.
- ✓ Accommodates fluid temperatures from -40° F to +250° F (-40° C to +121° C).
- ✓ This kit can upgrade an existing GPI meter or can be purchased with a new meter.
- ✓ Use this module with GPI Industrial or Commercial Grade Electronic Digital Meters.

SPECIFICATIONS

Magnetic Pickup:	1.3 k Ohm, 90 mH
Signal Type:	Sine Wave
Voltage:	Peak to Peak 10 mV to 500 mV
Frequency:	11 to 750 Hz
Cable:	10 ft. (3 m), 2-conductor shielded, Belden #9501

APPROVALS



Standard Remote Kit Assembly (Part No. 113265-1)



*Standard Remote Kit
Assembly Installed*

The Standard Remote Kit Assembly modifies GPI Electronic Digital Meters for applications in specialized situations including remote indication and high or low fluid temperature metering applications. This kit also provides the versatility of panel mounting of the LCD readout up to 300 ft. from the turbine housing and sensor.

This kit consists of a sensor module, a dust cover assembly and 10 ft. of cable; it also requires a 09 Computer.

Do not use on A1 2-inch meter. Order 113275-1.

Features and Benefits:

- ✓ Accommodates fluid temperatures from -40° F to +250° F (-40° C to +121° C).
- ✓ This kit can upgrade an existing GPI meter or can be purchased with a new meter.
- ✓ Battery powered from meter; no additional power required.

SPECIFICATIONS

Magnetic Pickup:	1.5 k Ohm, 700 mH
Signal Type:	Sine Wave
Voltage:	Peak to Peak 33 mV to 825 mV
Frequency:	11 to 750 Hz
Cable:	10 ft. (3 m), 2-conductor shielded, Belden #1266A or #8451

Features and Benefits:

- ✓ Provides two digital signals: Open Collector or 6-volt Square Wave and can communicate with most process control devices.
- ✓ Operating temperature range of -40° F to +212° F (-40° C to +100° C).
- ✓ Can be externally powered or battery powered.

SPECIFICATIONS

Connector:	Hubble PG7
Signal Type:	Open Collector (NPN)
Power:	External 9 to 35 VDC, approximately 1 mA
Connection:	Three wire
Frequency:	0 to 750 Hz
Cable:	10 ft. (3 m) Belden #9363

APPROVALS



Conditioned Signal Output Module (Part No. 113435-1)



This module provides an unscaled, amplified, digital signal capable of transmission up to 5,000 ft. There is no need for additional signal conditioning or amplification devices to achieve the desired digital signal. Use on G2 "Turbine Only" model.

The module is factory assembled for Open Collector signal output and operates from an external 9 to 35 volt power source. By changing terminal connections and adding a battery kit, the module provides a self-powered 6-volt Square Wave signal.

90° Display Adapter Kit (Part No. 125260-01)



90° Display Adapter Kit allows for horizontal readout of vertical meters. Includes adapter, O-ring, screws and foam spacers required for installation.



*Kit Shown Installed
on PVDF Meter*

GPI Electronics Programmer (Part No. 113800-06)



The GPI Electronics Programmer is a system composed of a small USB interface unit, a USB cable, and a software program. This kit is perfect for reconfiguring multiple GPI Electronics for the first time or when changing the configuration over the life of the meter.

Used with your PC, it allows quick, convenient on-screen setting (and reading) of setup options and calibration data from many GPI Electronic Digital Meters (EDMs).



"Look for the red label!"



ECONOMY ELECTRONIC DIGITAL METERS

GPI offers a variety of economy meters to meet specific applications. These meters are great for monitoring and indication. They provide lower accuracy than our other meters but are an economical choice in many applications. The economy meters are not field serviceable like the popular G2 Series Meters.

LM SERIES MECHANICAL LUBE METERS



Model No.
LM50P

Model No.
LM50D

Model No.
LM50M

Choose from one of the latest positive displacement meters available from GPI. These compact meters are perfect for metering engine oils or transmission fluids (maximum viscosity 1,000 cps). The LM50M Mechanical Meter is suitable for hazardous locations.

Choose the LM50P when Pulse Out without Display meets your application. The LM50D model includes an easy-to-read display. All meters are designed with oval rotors for optimum accuracy.

Features and Benefits:

- ✓ Extremely accurate.
- ✓ Dependable performance.
- ✓ Reliable, trouble-free operation.
- ✓ Total and Flowrate.

LM50P – SPECIFICATIONS

Construction:	Aluminum
Wetted Components:	Acetal, Aluminum, Nitril and Steel
Connections:	1/2 inch NPT or BSPT (Female)
K-Factor:	424 PPG / 112 PPL
Flow Range:	0.26 - 7.8 GPM (1 - 30 LPM) @ 5 - 1,000 cps
Accuracy:	± 0.5% of reading
Max. Working Pressure:	1,500 PSI / 103.5 BAR
Operating Temperature:	+23° F to +131° F (-5° C to +55° C)
Model Numbers:	LM50PB (Lube Meter 1/2" BSPT) LM50PN (Lube Meter 1/2" NPT)

LM50D – SPECIFICATIONS

Construction:	Aluminum
Wetted Components:	Acetal, Aluminum, Nitril and Steel
Connections:	1/2 inch NPT or BSPT (Female)
Flow Range:	0.26 - 7.8 GPM (1 - 30 LPM) @ 5 - 1,000 cps
Accuracy:	± 0.5% of reading
Max. Working Pressure:	1,500 PSI / 103.5 BAR
Operating Temperature:	+23° F to +131° F (-5° C to +55° C)
Battery:	Two AAA Alkaline batteries
Display:	6 digit; Shows Batch, Reset Total, Non-Reset Total and Rate of Flow
Display Units:	User selectable (gallons, litres, pints or quarts)
Model Numbers:	LM50DB (Lube Meter with Display 1/2" BSPT) LM50DN (Lube Meter with Display 1/2" NPT)

LM50M – SPECIFICATIONS

Construction:	Aluminum
Wetted Components:	Acetal, Aluminum, Nitril and Steel
Connections:	1/2 inch NPT or BSPT (Female)
Flow Range:	0.26 - 7.8 GPM (1 - 30 LPM) @ 5 - 1,000 cps
Accuracy:	± 1.0% of reading
Max. Working Pressure:	1,500 PSI / 103.5 BAR
Operating Temperature:	+14° F
Battery:	None required
Model Numbers:	LM50MNG - 1/2" NPT fitting. Calibrated in gallons LM50MNL - 1/2" NPT fitting. Calibrated in litres LM50MBL - 1/2" BSPT fitting. Calibrated in litres LM50MBQ - 1/2" BSPT fitting. Calibrated in quarts LM50MBG - 1/2" BSPT fitting. Calibrated in gallons LM50MNQ - 1/2" NPT fitting. Calibrated in quarts

01N – SPECIFICATIONS

Design Type:	Turbine
Fitting Size:	1 inch
Fitting Type:	NPT or ISO (Female)
Flow Range:	3 - 30 GPM (10 - 100 LPM)
Accuracy:	± 5.0% of reading
Repeatability:	± .5%
Pressure Rating:	150 PSIG (10.2 BAR)
Operating Temperature:	+14° F to +131° F (-10° C to +55° C)
Wetted Material:	
Housing:	Nylon
Bearings:	Ceramic
Shaft:	Tungsten Carbide
Rotor:	Nylon
Signal Generators:	Ferrite
Rings:	316 Stainless Steel
Shipping Weight (approx.):	1.1 lbs. (0.5 kg) (See page 76 for meter dimensions)
Local Display:	Includes: 2 Totals (1 Cumulative, 1 Batch); Permanent factory calibration for water.

APPROVALS



01N Series Water Meter



ACCURACY: ±5.0% OF READING

Features and Benefits:

- 3 Simple, small and sturdy Electronic Digital Water Meter with rugged nylon housing.
- 3 Mount on the end of a hose or a pipe, in-line.
- 3 Complete meter including turbine assembly, micro-processor and LCD readout.
- 3 Choice of gallon and litre measurement.
- 3 Works well on any pump or gravity feed system with at least 3-30 GPM (10-100 LPM) flow range.

01A – SPECIFICATIONS

Design Type:	Turbine
Fitting Size:	1 inch
Fitting Type:	NPT or ISO or BSPP (Female)
Flow Range:	3 - 30 GPM (10 - 100 LPM)
Accuracy:	± 5.0% of reading
Repeatability:	± .5%
Pressure Rating:	300 PSIG (21 BAR)
Operating Temperature:	+14° F to +130° F (-10° C to +54° C)
Wetted Material:	
Housing:	Aluminum
Bearings:	Ceramic
Shaft:	Tungsten Carbide
Rotor:	Nylon
Signal Generators:	Ferrite
Rings:	316 Stainless Steel
Shipping Weight (approx.):	2 lbs. (0.9 kg) (See page 76 for meter dimensions)
Local Display:	Includes: 2 Totals (1 Cumulative, 1 Batch); Permanent factory calibration for gasoline, diesel fuel or kerosene.

APPROVALS



01A Series Fuel Meter



“Look for the red label!”

ACCURACY: ±5.0% OF READING

Features and Benefits:

- 3 Lightweight, accurate, and reliable turbine meter with rugged aluminum housing and sealed electronic circuitry
- 3 Powered by two AAA batteries that are easy to replace.
- 3 Factory calibrated for petroleum fuel with a choice of gallon and litre measurement.
- 3 Works well on any pump or gravity feed system with at least 3-30 GPM (10-100 LPM) flow range.

FM-300H/R Chemical Meter



FM-300H/R – SPECIFICATIONS

Design Type:	Nutating Disc with Electronic Display
Fitting Size:	1 inch
Fitting Type:	Inlet: NPT (Female) Outlet: NPT (Male)
Flow Range:	2 - 20 GPM (7 - 75 LPM)
Accuracy:	± 2.0% of reading
Pressure Rating:	50 PSIG (3.4 BAR)
Operating Temperature:	+15° F to +130° F (-9° C to +54° C)
Wetted Material:	
Housing:	PBT Polyester
Fluid Chamber:	PBT Polyester
Signal Generator Kit:	PBT Polyester / Ferrite
Seals:	Fluorocarbon
Clip:	316 Stainless Steel
Shipping Weight (approx.):	3 lbs. (1.4 kg)
Display Options:	Local Display includes: Rate of Flow, Batch and Cumulative Totals. Factory and Field Calibration.

ACCURACY: ±2.0% OF READING

APPROVALS

Features and Benefits:

- 3 Simple, small and sturdy Electronic Digital Disc Meter with rugged PBT housing
- 3 Mount on the end of a hose or a pipe, in-line.
- 3 Complete meter including disc assembly, micro-processor and LCD readout.
- 3 Choice of gallon and litre measurement.
- 3 Factory calibrated for thin and medium fluids. Field calibrate for more viscous fluids.

CE



"Look for the blue label!"



ELECTRONIC CHOICES

GPI Electronics are available with a variety of features. Choosing the best combination of meter and electronics is easy using the GPI System. The Meter Application Sheet in the Reference Section can serve as a worksheet to guide you in selecting the right GPI product for your application. Your GPI Sales Representative can assist you with this process.

1) What meter do I need in this application?

Meter choice is determined by: Level of accuracy required, flowrate, line size, viscosity, fitting type, pressure rating, temperature, chemical compatibility and etc. The general categories below provide some basic information about meter types.

G Series Meters SECTION 1	G2 Series Meters SECTION 2	GM Series Meters SECTION 3
 <p>Precision Meters</p>	 <p><i>"Look for the blue label!"</i> Wide range of materials and sizes.</p>	 <p>Positive Displacement Meter technology in a variety of materials and sizes.</p>
TM Series Water Meters SECTION 4	A1 Commercial Grade Meters SECTION 5	Economy Meters SECTION 6
 <p><i>"Look for the blue label!"</i> Water Meters</p>	 <p><i>"Look for the silver label!"</i> Aluminum or Nylon Meters with display in a self-contained unit.</p>	 <p><i>"Look for the red label!"</i> Water, fuel, lube and chemical meters with basic features.</p>



2) What type of output do I need from my electronics?

Output can be simple totals, rate of flow and various types of signal output.

GPI Electronics can be mounted to the meter or to a remote location and come with or without display.

Local Display	GA Series Electronics	GG Series Electronics	GX Series Electronics	SC Series Electronics
09 Electronics	4-20 mA Output Without Display	Pulse Output With Display	4-20 mA Output With Display	Scaled Pulse Output

09 COMPUTER – SPECIFICATIONS

Std. Factory Configuration:	2 Totals (1 Resettable, 1 Cumulative); Factory Calibration in gallons and litres; User Calibration and Rate of Flow Indication.
Computer Electronics:	09 Computer fits all A1, TM & G2 meter sizes and construction. Std. Display fits GM Series Meters.
Totalizing Registers:	0 to 3 available
K-Factor Limits:	Min: .01 pulses/unit Max: 999,999 pulses/unit
Field Calibration:	Field calibrate by user. Standard Method: Correction Factor. Six adjustable digits. Can be reconfigured to K-factor entry.
Readout Totals:	LCD with floating decimal Minimum Display = 0.01 units Maximum Display = 999,999 units (6 digits)
Input Pulse Rate:	Minimum (Pulse-in Input) = DC (0 Hz) Minimum (Coil Input) = Approximately 10 Hz Maximum = Approximately 1,000 Hz
Turbine Display:	
Internal Power Supply:	2 Lithium batteries at 3 volts each
Lithium Battery Life:	5 Years
Optional Power Supply:	7 to 30 VDC
Oval Gear Display:	
Internal Power Supply:	9-volt battery
Optional Power Supply:	10 to 18 VDC
Operating Temperature:	0° F to +140° F (-18° C to +60° C)
Storage Temperature:	-40° F to +158° F (-40° C to +70° C)

APPROVALS



ATEX

Using a password-protected configuration process you can enable additional features. GPI Customer Service can provide the password and instructions to unlock and reset configuration settings. This information is also available on the GPI website. **User Configuration** features include:

- Totalizers/Modes Enabled (Cumulative Total, Batch 2 Total, Flowrate Mode)
- Flowrate Timebase (Units per Minutes, Hours and Days)
- Factory Calibration Curve Units Enabled (Gallons, Imperial Gallons, Litres, Quarts, Ounces, Cubic Feet, Cubic Centimeters, Cubic Meters or Barrels (42 gal.))
- Dispense/Display or K-Factor Entry Calibration



®

Local Display
for Turbine Meter

"Look for the blue label!"



Display shown here
on Oval Gear Meter

Choose the local display for G2 and GM Series Meters. Commonly used features are preprogrammed in the Computer Display. End-users can enable additional features by using a password available from the factory or on the GPI website. The 09 configuration provides a high degree of customization, matching customers' exact needs.

Features and Benefits:

- ✓ 2 Totals (Batch - Resettable, Cumulative - Not Resettable).
- ✓ Flowrate display updates every 5 seconds, readout is in units/minute.
- ✓ Factory Calibration in gallons and litres is standard. Can be field calibrated to adjust to various fluid thickness.
- ✓ Correction calibration lets end user calibrate by \pm percent off.
- ✓ Small, compact and totally self contained with an internal power supply.
- ✓ Non-volatile totals means amounts are retained when batteries are replaced or power is lost.
- ✓ Lithium battery life: 5 years.

Display With Pulse Output

GG500
Remote
Mount



GG510
Local
Mount

The GG500 is a remote mount Pulse-Out Transmitter with battery powered display. Choose the GG510 when a local mount is needed.

GG500/GG510 – SPECIFICATIONS

Accuracy:	± 0.1% of reading
Output Options:	
Primary Output:	Open Collector (NPN)
Pulse-Out:	
Max. "OFF" Voltage:	60 V
Max. "ON" Current:	200 mA
Max. "ON" Voltage Drop:	< 0.5 V @ 200 mA
Electrical:	
Strain Relief:	Hubble PG7
Strain Relief Thread:	Female 1/2-20 UNF-2B
Cable:	<i>Remote:</i> Belden 9363 (500 Series only) <i>Local:</i> No cable provided
Cable Length:	20 ft. (6 m) provided (500 Series only)
Power Supply:	9-volt battery or externally powered
Voltage Supply (Min.):	7 VDC
Voltage Supply (Max.):	30 VDC
Input Options:	Hall Effect, Reed Switch, Open Collector or Low Level Sine Wave
Remote Mounting:	Pipe or wall
Operating Temperature:	+14° F to +140° F (-10° C to +60° C)
Frequency Input:	
Low Level Coil (LLC):	0 - 1000 Hz
High Level Low Freq.:	0 - 150 Hz
High Level High Freq.:	0 - 1000 Hz
Enclosure Rating:	NEMA 4X / IP55
Shipping Weight:	<i>Remote:</i> 2.0 lbs. (.90 kg) <i>Local:</i> 1.0 lbs. (.45 kg)
Calibratable:	K-factor Entry

APPROVALS



ACCURACY: ±0.1% READING

Features and Benefits:

- ✓ Provides communication with process control equipment.
- ✓ Works with G Series, G2 Turbine Meters and GM Oval Gear Meters.
- ✓ Industry Standard Output: Unscaled Pulse.
- ✓ Easily mounted on pipe or wall.

GX500/GX510 – SPECIFICATIONS

Accuracy:	± 0.1% of reading
Output Options:	
Primary Output:	Loop (4-20 mA or 0-20 mA)
Minimum:	1.5 mA
Maximum:	25 mA
Auxiliary Outputs 0-5 V:	Single Ended
Minimum:	0.1 V
Maximum:	4.9 V
Pulse-Out:	
Max. "OFF" Voltage:	60 V
Max. "ON" Current:	200 mA
Max. "ON" Voltage Drop:	< 0.5 V @ 200 mA
Electrical:	
Strain Relief:	Hubble PG7
Strain Relief Thread:	Female 1/2-20 UNF-2B
Cable:	<i>Remote:</i> Belden 9363 (500 Series only) <i>Local:</i> No cable provided
Cable Length:	20 ft. (6 m) provided (500 Series only)
Power Supply:	2-wire, loop powered
Voltage Supply (Min.):	8.5 VDC
Voltage Supply (Max.):	35 VDC
Input Options:	Hall Effect, Reed Switch, Open Collector or Low Level Sine Wave
Remote Mounting:	Pipe or wall
Operating Temperature:	+32° F to +140° F (0° C to +60° C)
Frequency Input:	
Low Level Coil (LLC):	0.25 - 1000 Hz
High Level Low Freq.:	0.25 - 150 Hz
High Level High Freq.:	0.25 - 1000 Hz
Optically Isolated HLLF:	w/2500 V optical isolation
Optically Isolated HLHF:	w/2500 V optical isolation
Enclosure Rating:	NEMA 4X / IP55
Shipping Weight:	<i>Remote:</i> 2.0 lbs. (.90 kg) <i>Local:</i> 1.1 lbs. (.5 kg)
Calibratable:	K-factor Entry

APPROVALS



Display With 4-20 mA Output



*GX500
Remote
Mount*



*GX510
Local
Mount*

The GX500 is a remote mount 4-20 mA Output Transmitter with display. Choose the GX510 when a local mount is needed.

ACCURACY: ±0.1% READING

Features and Benefits:

- ✓ Provides communication with process control equipment.
- ✓ Works with G Series, G2 Turbine Meters and GM Oval Gear Meters.
- ✓ Now available with Lockout feature.
- ✓ Microprocessor-based electronics have extremely low power requirements.
- ✓ Easy to set 4-20 mA endpoints under actual flow conditions.
- ✓ A signal conditioner with industry standard current loop output.
- ✓ Easily mounted on pipe or wall.

4-20 mA Output

GA500
Remote
MountGA510
Local
Mount

The GA500 is a remote mount 4-20 mA Output Transmitter without display. Choose the GA510 when a local mount is needed.

GA500/GA510 – SPECIFICATIONS

Accuracy:	± 0.1% of reading
Output Options:	
Primary Output:	Loop (4-20 mA or 0-20 mA)
Minimum:	1.5 mA
Maximum:	25 mA
Auxiliary Outputs 0-5 V:	Single Ended
Minimum:	0.1 V
Maximum:	4.9 V
Pulse-Out:	
Max. "OFF" Voltage:	60 V
Max. "ON" Current:	200 mA
Max. "ON" Voltage Drop:	< 0.5 V @ 200 mA
Electrical:	
Strain Relief:	Hubble PG7
Strain Relief Thread:	Female 1/2-20 UNF-2B
Cable:	Remote: Belden 9363 (500 Series only) Local: No cable provided
Cable Length:	20 ft. (6 m) provided (500 Series only)
Power Supply:	2-wire, loop powered
Voltage Supply (Min.):	8.5 VDC
Voltage Supply (Max.):	35 VDC
Input Options:	Hall Effect, Reed Switch, Open Collector or Low Level Sine Wave
Mounting:	Pipe or wall
Operating Temperature:	+32° F to +140° F (0° C to +60° C)
Frequency Input:	
Low Level Coil (LLC):	0.25 - 1000 Hz
High Level Low Freq.:	0.25 - 150 Hz
High Level High Freq.:	0.25 - 1000 Hz
Optically Isolated HLLF:	w/2500 V optical isolation
Optically Isolated HLHF:	w/2500 V optical isolation
Enclosure Rating:	NEMA 4X / IP55
Shipping Weight:	Remote: 2.0 lbs. (.90 kg) Local: 1.1 lbs. (.5 kg)

APPROVALS



ACCURACY: ±0.1% READING

Features and Benefits:

- ✓ Provides communication with process control equipment.
- ✓ Works with G Series, G2 Turbine Meters and GM Oval Gear Meters.
- ✓ Now available with Lockout feature.
- ✓ Microprocessor-based electronics have extremely low power requirements.
- ✓ Easy to set 4-20 mA endpoints under actual flow conditions.
- ✓ A signal conditioner with industry standard current loop output.
- ✓ Easily mounted on pipe or wall.

SC500/SC510 – SPECIFICATIONS

Accuracy:	± 0.1% of reading
Power Source:	DC powered 5 to 30 VDC
Input Signal:	Hall Effect, Reed Switch or Open Collector (NPN) or Sine Wave
Output Signal:	Open Collector (NPN)
Frequency Range:	Coil, HF = 0-1500 Hz; LF = 0-150 Hz
Operating Temperature:	-40° F to +185° F (-40° C to +85° C)
Cable:	<i>Remote:</i> 20 ft., 3-conductor, tinned drain wire, 22 AWG, PVC jacket .212 dia. Ref. Belden 9363. <i>Local:</i> No cable provided
Mechanical Connections:	<i>Remote:</i> Wall or pipe mountable with standard U-bolts. <i>Local:</i> Unit is mounted to meter body, 1" NPT.
Electrical Connections:	<i>Remote:</i> Two strain relief ports <i>Local:</i> One strain relief port; one threaded plug

APPROVALS



Scaled Pulse Output



SC500
Remote
Mount



SC510
Local
Mount

The GPI Scaled Pulse Module is a switch-programmable multi-stage counter/divider with multiple inputs. The module provides selectable K-factor to convert input frequency to scaled pulse output. The SC500 connects via a 20 foot input cable. The SC510 connects directly to the 1 inch MNPT conduit connector.

ACCURACY: ±0.1% READING

Features and Benefits:

- ✓ Converts input frequency to scaled pulse output.
- ✓ Provides communication with process control equipment.
- ✓ Works with G Series, G2 and A1 Turbine Meters and Oval Gear Meters.
- ✓ Remote model mounts on pipe or wall.

R700 Explosion Proof 4-20 mA Transmitter with Display



R700
Remote
Model

R700
Local
Model



The R700 4-20 mA Transmitter is a loop powered transmitter with simultaneous Rate & Total indicator. The R700 features an explosion proof enclosure for hazardous location use. It also features 20 point linearization.

R700-L Local Mount

R700-R Remote Mount

Features and Benefits:

- ✓ Magnetic Pickup Input, Contact Closure Input, DC Pulse Input.
- ✓ 20 point linearization.

R700 – SPECIFICATIONS

Power Supply:	8.5-30 VDC
Accuracy:	0.01% Reading \pm 1 Count
Operating Temperature:	-4° F to +158° F (-20° C to +70° C)
Output:	4-20 mA, Isolated from Ground
Display:	5-digit Rate; 8-digit Totalizer

ENCLOSURE APPROVALS



NEMA
4X



R800 Explosion Proof Totalizer & Rate Indicator



R800
Remote
Model

R800
Local
Model



The R800 is a battery powered Totalizer & Rate Indicator. Both Local and Remote models are available. The R800 features an explosion proof enclosure for hazardous location use. It also features 20 point linearization.

R800-LBAT Local Mount

R800-RBAT Remote Mount

Features and Benefits:

- ✓ Magnetic Pickup Input, Contact Closure Input, DC Pulse Input.
- ✓ 20 point linearization.

R800 – SPECIFICATIONS

Power Supply:	One C Size Lithium Battery Pack
Accuracy:	0.01% Reading \pm 1 Count
Operating Temperature:	-4° F to +158° F (-20° C to +70° C)
Pulse Output:	Isolated Photomos Relay
Display:	5-digit Rate; 8-digit Totalizer

ENCLOSURE APPROVALS



NEMA
4X



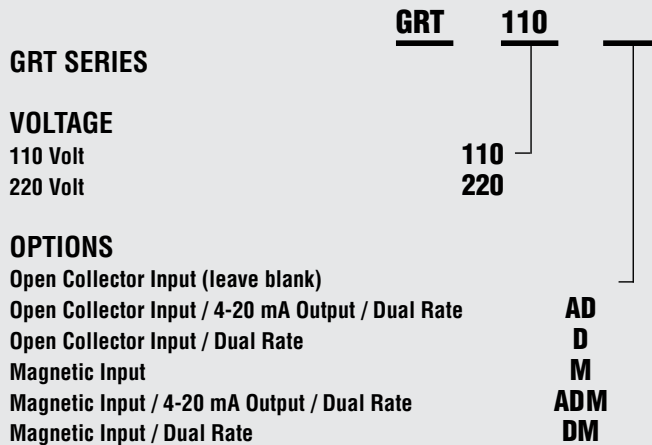
GRT – SPECIFICATIONS

Display:	6-digit, 0.55" High LED
Input Signal:	Hall Effect, Reed Switch or Open Collector (NPN)
Output Power:	(AC powered units only) +12 VDC @ 50 mA
Memory:	EEPROM stores data for 10 years if power is lost.
Outputs:	Two; N.O. Relays: 5 amps 120/240 VAC or 28 VDC. 4-20 mA or 0-20 mA
K-Factor:	5-digit K-Factor dividers from 0.0001 - 99999
Presets:	Two control outputs; 0.1 to 99.9 sec. or latch (0 sec)
Temperature:	Operating: +32° F to +130° F (0° C to +54° C)
Securing Lockout:	User selected 5-digit code
Front Panel:	NEMA 4X / IP65
Model Numbers:	See chart below

APPROVALS



GRT MODEL NUMBERING SYSTEM



ENCLOSURES FOR GBM & GRT SERIES CONTROLLERS



GRT shown here in enclosure.

EN4X-2: Enclosure has two pre-drilled holes (0.875 in.)
 EN4X: Enclosure has no factory drilled holes

"Great Choice For Net Use."



The GRT is a 6-digit Totalizer/Ratemeter with two-level, 5-digit preset alarm control of Total or Rate. Inputs A & B have separate scaling K-factors. The totalizer can be programmed for "A" subtract "B", "A" add "B" or A & B as separate totalizers, with display and control of the "net" total and rate of "A". If only one input is required, the unit will display the total and rate from that one channel. The GRT can accept up to 10,000 pulses per second. It has a 5-digit floating decimal scale factor allowing total readout in true engineering units and rate per second, minute or hour.

Input "A" simultaneously drives a ratemeter which can be programmed to display the basic frequency (rate per second) or factored to show rate per minute or rate per hour. Simply push the "VIEW" button to see either total or rate without losing a count. Two separate 5 A relay contacts can be set to operate at either rate or total presets in a latch or auto-recycle mode with output timing from 0.1 to 99.9 seconds.

Two control outputs can be assigned to either the totalizer or ratemeter and can automatically recycle at the batch or stay latched until reset.

When two inputs are received (A & B), the unit can either add or subtract the two inputs or display the two inputs as separate totalizers.

Features and Benefits:

- ✓ Separate scaling factors for A & B inputs.
- ✓ Separate add/subtract simultaneous inputs.
- ✓ Two Relays.
- ✓ 110 or 220 AC power or 12-15 VDC.



Featuring 8 digits of bright, .55 inch, alphanumeric display, the GBT can accept up to 20,000 pulses per second of digital count. The standard unit has two separate, 8-digit floating decimal, "K" factors to convert the inputs to meaningful total and rate data. The user, with the push of a button, can toggle back and forth to view the total of the batch, the rate of flow or the grand total of flow.

The GBT may be thought of as two separate counters and a ratemeter. The "batching" counter counts to prewarn and preset numbers entered by the user and enables separate control outputs. The "totalizing" counter gives a cumulative reading or grand total.

Finally, the ratemeter counts the number of pulses per second and, with its scaling feature, can provide gallons per minute or any other rate measurement without the totalizer losing counts. At any time, the user may view the total, the grand total or the rate while never interrupting the counting process.

Setup is done through the front panel and the menu driven software in the unit. Start-Stop control can be activated via the front panel buttons or remote inputs.

The unit operates from either 110 VAC/12 to 27 VDC or optional 220 VAC/12 to 27 VDC. If AC power is used, two built-in regulated 12 VDC @ 100 mA power supplies are offered. They can be connected to provide +12 VDC and -12 VDC or +24 VDC to drive external devices. CMOS Logic is used to provide high noise immunity and low power consumption with EEPROM to hold data a minimum of 10 years if power is interrupted.

Features and Benefits:

- ✓ Two setpoints for two-stage valve control.
- ✓ Scaled pulse output – NPN.
- ✓ 110 or 220 AC power or 12-27 VDC.

GBT – SPECIFICATIONS

Display:	Lighted 8-digit, 0.55" High, 15 segment, red-orange LED
Input Signal:	Hall Effect, Reed Switch or Open Collector (NPN)
Output Power:	(AC powered units only) +12 VDC @ 100 mA
Memory:	EEPROM stores data for 5 years if power is lost.
Control Outputs:	Two.; SPDT Relays: 10 amps 120/240 VAC or 28 VDC.
K-Factor:	8-digit K-Factor dividers from 0.0001 - 99999999
Temperature:	Operating: +32° F to +130° F (0° C to +54° C)
Securing Lockout:	User selected 4-digit code
Front Panel:	NEMA 4X / IP65
Models:	GBT110 or GBT220

NOTE: Does not accept Sine Wave pulse.

APPROVALS



GBM – SPECIFICATIONS

Display:	6-digit, 0.55" High LED
Input Signal:	Hall Effect, Reed Switch or Open Collector (NPN)
Output Power:	(AC powered units only) +12 VDC @ 100 mA
Memory:	EEPROM stores data for 10 years if power is lost.
Control Outputs:	Two.; SPDT Relays: 5 amps 120/240 VAC or 28 VDC.
K-Factor:	8-digit K-Factor dividers from 0.0001 - 99999999
Temperature:	Operating: +32° F to +130° F (0° C to +54° C)
Securing Lockout:	User selected 4-digit code
Front Panel:	NEMA 4X / IP65
Models:	GBM110, GBM110-M, GBM220 and GBM220-M

NOTE: Does not accept Sine Wave pulse.

APPROVALS



ENCLOSURES FOR GBM & GRT SERIES CONTROLLERS



GRT shown here in enclosure.

EN4X-2: Enclosure has two pre-drilled holes (0.875 in.)
 EN4X: Enclosure has no factory drilled holes



This miniature batcher is great for basic batching functions. The display shows Batch, Rate and Grand Total. The Start and Stop buttons make batching simple.

This is a great choice for daily batching of the same amount of product every time. With just a push of a button, this controller will open your solenoid valve, count the total volume being dispensed and then close your solenoid valve at a preprogrammed amount.

This unit operates from either an Open Collector or Magnetic input.

Features and Benefits:

- ✓ Works with GPI Turbine and Oval Gear Meters that provide pulse.
- ✓ Available in both 110- and 220-volt models.
- ✓ The 6-digit LED shows both Batch and Grand Totals on an easy-to-read screen.
- ✓ Prewarn and Preset Relays for control (2 stage batching process).
- ✓ 5 digit scaling factor.
- ✓ Pulse Input - 10 kHz maximum.
- ✓ Security lockout.
- ✓ Panel Mount – NEMA 4X / IP65 front panel.

Chart of Approximate Viscosities of Common Liquids

Liquid	Viscosity in Centipoise @ 70°F	S S U Approximate
Sulfuric Acid	0.2	
Methyl Ethyl Ketone	0.4	
Water	1	
Milk	3	
Oil – Crude	15	80
Ethylene Glycol	16	80
Oil – Auto SAE 10	65	310
Oil – Corn	72	350
Oil – Auto SAE 20	125	585
Oil – Auto SAE 30	200	980
Varnish – Spar	420	2,050
Oil – Auto SAE 60	1,000	4,600
Honey	3,000	14,500
Ink	45,000	
Vaseline Petroleum Jelly	64,000	
Corn Syrup	110,000	

Component Materials

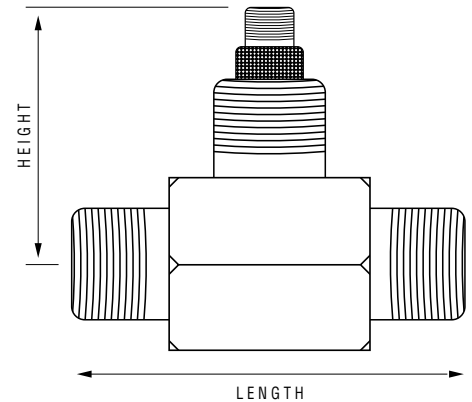
GPI offers Component Materials to assist with chemical compatibility. In some cases, trade names may be more common than the generic name. The cross reference chart here provides the generic material name and the corresponding trade name.

Generic Material Name	Trade Name
Acetal	Celcon or Delrin
Buna-N, NBR or Nitrile	Chemivic or Krynac
EPDM	Epcar
FKM or fluorocarbon	Fluorel or Viton
Nylon or polyamide	Zytel
PBT polyester	Valox
PEEK	Victrex
Perfluoroelastomer	Kalrez
Perfluoroelastomer	Chemraz
PET polyester	Rynite
Polyester film	Mylar
PPS	Ryton
PTFE	Teflon
PVDF	Kynar

G Series Precision Meters

Size	NPT and Flared Tubing		Sanitary Clamp		Flanged*	
	Length inches (mm)	Height inches (mm)	Length inches (mm)	Height inches (mm)	Length inches (mm)	Height inches (mm)
1/2 in.	2.75 (70)	2.56 (65)	2.75 (70)	2.56 (65)	—	—
3/4 in.	3.25 (82)	2.62 (66)	3.25 (82)	2.62 (66)	5.50 (140)	2.00 (51)
1 in.	3.56 (90)	2.75 (70)	3.56 (90)	2.75 (70)	5.50 (140)	2.12 (54)
1-1/2 in.	4.59 (116)	3.00 (76)	4.59 (116)	3.00 (76)	6.00 (152)	2.50 (63)
2 in.	6.06 (154)	3.25 (82)	6.06 (154)	3.25 (82)	6.50 (165)	3.00 (76)
3 in.	10.00 (254)	3.50 (89)	—	—	10.00 (254)	3.75 (95)

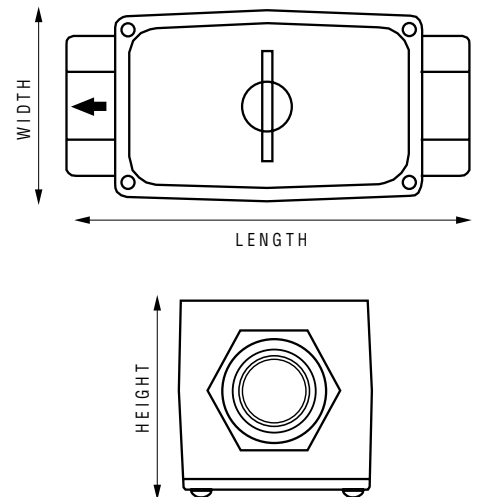
* Height on flange meters, measures from center line to top of flange.



G2 Series Industrial Grade Meters

Model	Length inches (mm)	Height inches (mm)	Width inches (mm)	Model	Length inches (mm)	Height inches (mm)	Width inches (mm)
A05	4.2 (107)	1.8 (46)	2.0 (51)	H20	6.3 (160)	3.2 (81)	3.3 (84)
A07	4.3 (109)	2.0 (51)	2.0 (51)	P05	7.3 (185)	3.2 (81)	2.1 (53)
A10	4.5 (114)	2.2 (56)	2.0 (51)	P10	8.1 (206)	3.3 (84)	2.8 (71)
A15	5.3 (135)	2.8 (71)	2.7 (68)	S05	4.2 (107)	1.8 (46)	2.0 (51)
A20	6.3 (160)	3.2 (81)	3.3 (84)	S07	4.3 (109)	2.0 (51)	2.0 (51)
B05	4.2 (107)	1.8 (46)	2.0 (51)	S10	4.5 (114)	2.2 (56)	2.0 (51)
B07	4.3 (109)	2.0 (51)	2.0 (51)	S15	5.3 (135)	2.8 (71)	2.7 (68)
B10	4.5 (114)	2.2 (56)	2.0 (51)	S20	6.3 (160)	3.2 (81)	3.3 (84)
B15	5.3 (135)	2.8 (71)	2.7 (68)	S10F	6.75 (171)	4.25 (108)	4.25 (108)
B20	6.3 (160)	3.2 (81)	3.3 (84)	S15F	8.0 (203)	5.0 (127)	5.0 (127)
C05	7.3 (185)	3.2 (81)	2.1 (53)	S20F	9.50 (241)	6.0 (152)	6.0 (152)
C10	8.1 (206)	3.3 (84)	2.8 (71)	S05T	5.0 (127)	2.0 (51)	1.8 (46)
H05	4.2 (107)	1.8 (46)	2.0 (51)	S07T	5.0 (127)	2.0 (51)	2.0 (51)
H07	4.3 (109)	2.0 (51)	2.0 (51)	S10T	5.5 (140)	2.0 (51)	2.2 (56)
H10	4.5 (114)	2.2 (56)	2.0 (51)	S15T	6.5 (165)	2.7 (68)	2.8 (71)
H15	5.3 (135)	2.8 (71)	2.7 (68)	S20T	7.0 (178)	3.3 (84)	3.2 (81)

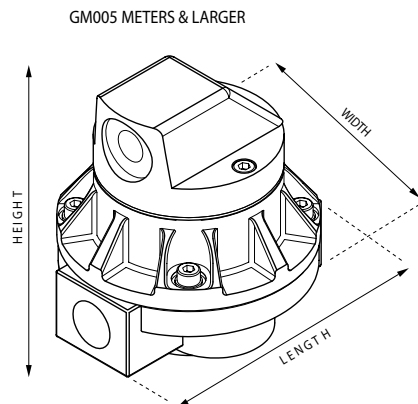
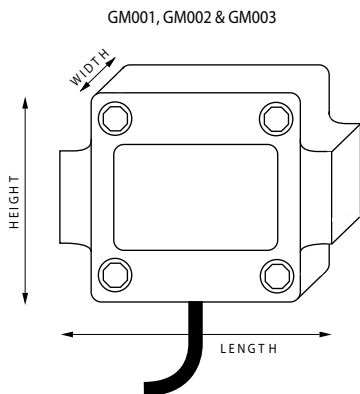
NOTE: 09 Display adds 1.1" (28 mm) to height.



NOTE: Dimensions are for reference only and may vary by model.

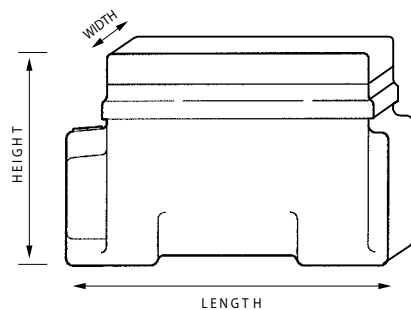
METER DIMENSIONS

GM Series Oval Gear Meters



Model	Length inches (mm)	Width inches (mm)	Height inches (mm)
GM001	2.58 (65)	1.97 (50)	1.81 (46)
GM002	2.58 (65)	1.97 (50)	1.81 (46)
GM003	2.58 (65)	1.97 (50)	1.81 (46)
GM005	3.94 (100)	3.78 (96)	4.13 (105)
GM006	5.24 (133)	4.41 (112)	4.96 (126)
GM007	4.25 (108)	3.94 (100)	4.72 (120)
GM010	5.24 (133)	4.41 (112)	5.43 (138)
GM015	5.91 (150)	5.67 (144)	6.42 (163)
GM020	9.45 (240)	7.01 (178)	7.40 (188)
GM505	3.94 (100)	4.41 (112)	4.92 (125)
GM510	5.24 (133)	4.41 (112)	6.18 (157)
GM515	9.45 (240)	7.01 (178)	8.07 (205)
GM520	9.45 (240)	7.01 (178)	8.07 (205)

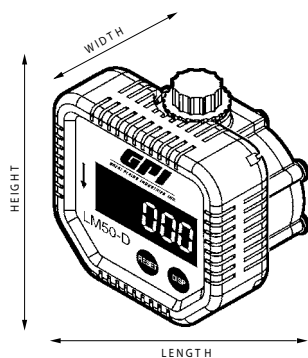
A1 Series Meters



Model	Length inches (mm)	Height inches (mm)	Width inches (mm)
A025	4.0 (102)	2.5 (63)	2.0 (51)
A100	4.0 (102)	2.5 (63)	2.0 (51)
A200	6.0 (152)	4.5 (114)	3.0 (76)
N025	4.0 (102)	2.5 (63)	2.0 (51)
N100	4.0 (102)	2.5 (63)	2.0 (51)

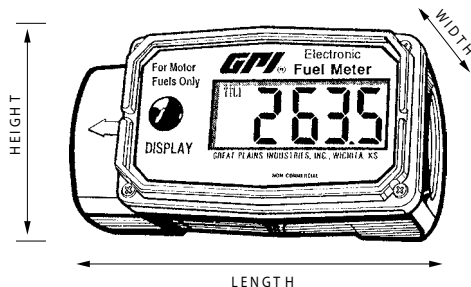
Economy Meters

LM Series



Model	Length inches (mm)	Height inches (mm)	Width inches (mm)
LM50DN	3.52 (89)	3.15 (80)	2.24 (57)

01 Series



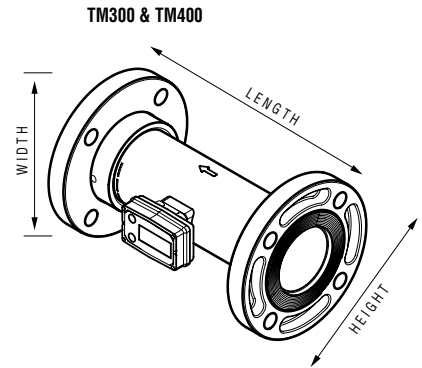
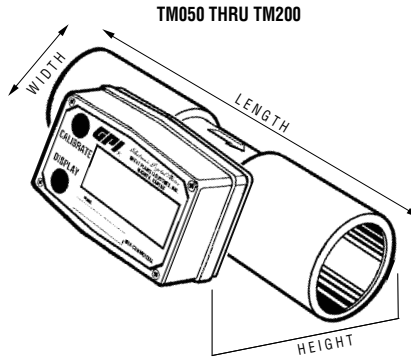
Model	Length inches (mm)	Height inches (mm)	Width inches (mm)
01A	4.0 (102)	2.5 (63)	2.0 (51)
01N	4.0 (102)	2.5 (63)	2.0 (51)

NOTE: Dimensions are for reference only and may vary by model.

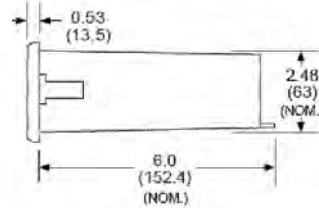
TM Meters

Model	Length* inches (mm)	Height** inches (mm)	Width inches (mm)
TM050	3.8 (96)	2.6 (66)	2.0 (51)
TM075	3.8 (96)	2.7 (68)	2.0 (51)
TM100	4.1 (104)	3.1 (79)	2.0 (51)
TM150	5.4 (137)	3.7 (94)	2.1 (53)
TM200	5.5 (140)	4.2 (107)	2.4 (61)
TM300 (Spigot)	11.5 (292)	5.34 (136)	3.5 (89)
TM400 (Spigot)	13.5 (343)	6.34 (161)	4.5 (114)
TM300 (NPT)	14.7 (373)	5.78 (147)	4.37 (111)
TM400 (NPT)	17.0 (432)	6.76 (172)	5.34 (136)
TM300 (Flange)	12.0 (305)	7.5 (190)	7.5 (190)
TM400 (Flange)	14.0 (356)	9.0 (229)	9.0 (229)

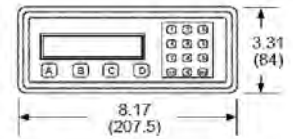
- * Length guidelines are estimates; actual length can vary up to $\pm 1/2"$.
- ** Computer display adds 1.1" (28 mm) to height.



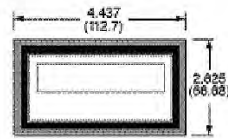
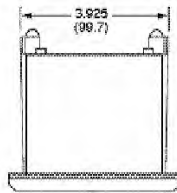
Model	Depth inches (mm)	Height inches (mm)	Width inches (mm)
GBT	6.53 (165)	3.31 (84)	8.17 (207)



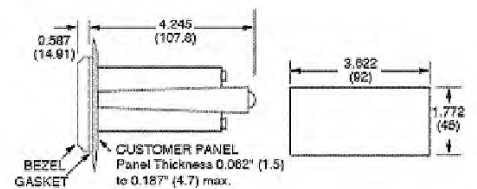
GBT Controller



Model	Depth inches (mm)	Height inches (mm)	Width inches (mm)
GBM & GRT	4.8 (122)	2.8 (71)	4.4 (112)



GBM & GRT Series Controllers



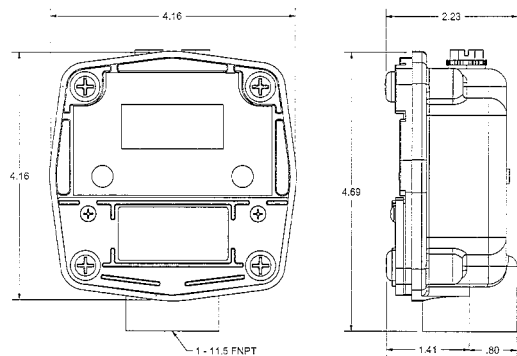
NOTE: Dimensions are for reference only and may vary by model.

METER DIMENSIONS

Electronic Choice - Local & Remote

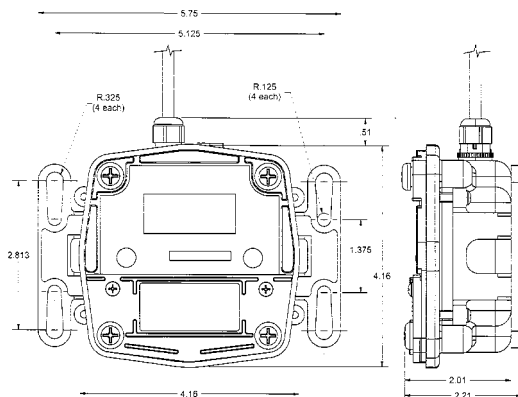
(Dimensions can vary by model.)

Local Model



Length inches (mm)	Height inches (mm)	Width inches (mm)
2.23 (57)	4.69 (119)	4.16 (106)

Remote Model



Length* inches (mm)	Height † inches (mm)	Width* inches (mm)
2.21 (56)	4.67 (119)	5.75 (146)

- * Includes Mounting Bracket
- † Includes Strain Relief

NOTE: Dimensions are for reference only and may vary by model.

Y STRAINERS FOR OVAL GEAR METERS

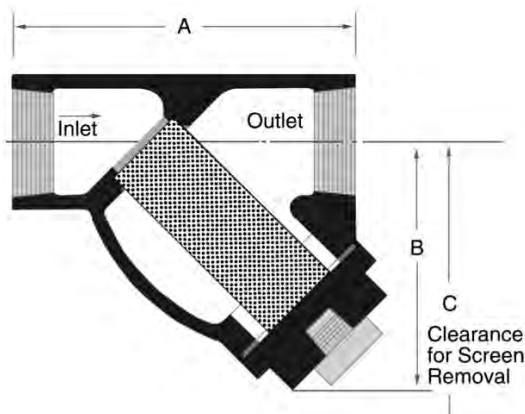
REFERENCE

Y STRAINER – SPECIFICATIONS

Blow-off Fitting:	1/4 inch:	1/4" NPT
	1/2 inch:	1/4" NPT
	3/4 inch:	1/4" NPT
	1 inch:	1/2" NPT
	1-1/4 inch:	1/2" NPT
	1-1/2 inch:	1/2" NPT
	2 inch:	1/2" NPT
Screen Standard:	1/4 inch:	200 mesh
	1/2 inch:	60 mesh
	3/4 inch:	60 mesh
	1 inch:	60 mesh
	1-1/4 inch:	60 mesh
	1-1/2 inch:	60 mesh
	2 inch:	60 mesh
Screen Opening (inch):	1/4 inch:	0.011"
	1/2 inch:	0.032"
	3/4 inch:	0.032"
	1 inch:	0.032"
	1-1/4 inch:	0.032"
	1-1/2 inch:	0.032"
	2 inch:	0.032"
Shipping Weight:	1/4 inch:	4 lbs.
	1/2 inch:	4 lbs.
	3/4 inch:	5 lbs.
	1 inch:	6 lbs.
	1-1/4 inch:	8 lbs.
	1-1/2 inch:	10 lbs.
	2 inch:	18 lbs.

PART NUMBERS & DIMENSIONS

Part Number	Size	A	B	C
125700-01	1/4 inch:	3-1/4"	2-3/16"	3"
125700-02	1/2 inch:	3-1/4"	2-3/16"	3"
125700-03	3/4 inch:	3-5/8"	2-3/4"	3-1/4"
125700-04	1 inch:	4-1/4"	3-3/16"	4-1/8"
125700-05	1-1/4 inch:	5-1/4"	3-7/8"	5"
125700-06	1-1/2 inch:	6-1/4"	4-3/4"	5-7/8"
125700-07	2 inch:	7-5/8"	6"	8-1/8"



Oval Gear Meters work best with clean fluid, free of debris. GPI carries Y Strainers to fit most models of Oval Gear Meters. These strainers range from 1/4 in. to 2 in. models. All sizes come complete with blow-off and plug.

Select Your Strainer Size:

1/4 inch 1/2 inch 3/4 inch 1 inch
1-1/4 inch 1-1/2 inch 2 inch



Features and Benefits:

- ✓ Machined, tapered seat ensures a perfect fit for the removable, 316 Stainless Steel screen.
- ✓ 316 Stainless Steel body and all screens are 316 Stainless Steel.
- ✓ All sizes come complete with blow-off and plug. These can be replaced with ball valve for on-line blow-down of particulate.
- ✓ Rated for up to 1480 PSI at 100° F for water, oil or gas.
- ✓ Female NPT threads.

CHEMICAL COMPATIBILITY GUIDE

Chemical Compatibility Guide for GPI Flowmeters

R = Recommended
N = Not Recommended
X = Unknown or Not Applicable

	Metals						Plastics								Journals, Shafts				O-Rings						
	Bronze	Aluminum	Brass	304 SS	316 SS	CD4MCu	PVC	PBT Polyester (Valox)	Nylon 6,6	Acetal (Delrin)	PPS (Ryton)	PVDF (Kynar)	Rulon 641	PEEK	Carbon - Graphite	Ceramic / Sapphire	Tungsten Carbide	Ferrite (MnZn)	Hastelloy-C	FKM/Fluorocarbon (Viton)	PTFE (Teflon)	EPDM	Buna-N (Nitrile)	Perfluoroelastomer (FFKM)	
Acetic Acid	N	R	N	N	R	R	N	X	N	N	R	N	R	R	R	R	N	X	R	R	R	R	N	R	
Acetone	R	R	R	R	R	R	N	N	R	R	R	N	R	R	R	R	R	R	R	R	N	R	R	N	R
Alcohols: Isobutyl	R	R	X	R	R	R	R	X	X	R	X	X	R	R	R	R	R	X	R	R	R	R	R	R	R
Alcohols: Isopropyl	R	R	X	R	R	R	R	R	R	R	X	X	R	R	R	R	R	R	R	R	R	R	R	R	R
Alcohols: Methyl	R	R	R	R	R	R	R	X	R	R	R	R	R	R	R	R	R	R	R	R	N	R	R	R	R
Ammonia, Anhydrous	N	R	N	R	R	R	R	X	X	N	R	R	R	R	X	R	R	X	R	N	R	R	R	R	R
Ammonia, Liquid	N	R	X	R	R	R	R	X	R	N	R	R	R	R	R	R	R	X	R	N	R	R	N	R	
Ammonium Hydroxide	N	R	N	R	R	R	R	N	N	N	R	R	R	R	R	R	N	R	R	R	R	R	N	R	
Antifreeze	R	R	X	X	R	X	R	X	X	N	X	X	X	R	X	R	R	R	X	R	X	R	R	R	R
Boric Acid	R	N	X	R	R	R	R	R	R	R	R	R	R	X	R	R	R	R	R	R	R	R	R	R	R
Butyl Acetate	R	R	R	R	R	R	N	R	R	R	R	R	R	R	R	R	R	R	R	R	N	R	R	N	R
Calcium Chloride	R	N	X	N	R	R	N	X	R	N	R	R	R	R	R	R	R	R	R	R	R	R	R	R	R
Calcium Hypochlorite	N	N	X	N	R	R	R	X	X	N	R	R	R	R	R	R	N	R	R	R	R	R	N	R	R
Carbon Tetrachloride (wet)	R	N	R	R	R	R	X	X	X	R	R	R	R	X	R	R	X	X	R	X	R	N	N	R	R
Carbonic Acid	R	R	N	R	R	R	R	X	R	R	R	R	R	R	R	R	R	X	R	R	R	R	N	R	R
Chlorine Water	R	N	N	N	N	R	R	X	N	N	N	R	R	N	R	X	R	R	R	R	R	N	N	R	R
Chlorine, Anhydrous Liquid	N	N	N	N	N	N	N	X	X	R	N	R	R	N	R	N	X	N	N	R	R	R	N	R	R
Clorox® Bleach (Sodium Hypochlorite)	X	N	X	R	R	R	R	R	N	N	N	R	R	R	X	R	N	X	R	R	R	R	N	R	R
Detergents	R	R	X	R	R	R	R	R	R	R	R	R	R	R	R	R	X	R	R	R	R	R	R	R	R
Diesel Fuel	R	R	R	R	R	R	R	R	R	R	R	R	R	R	R	R	R	R	R	R	R	N	R	R	R
Ethanol	R	R	R	R	R	R	N	X	R	R	X	X	R	R	R	R	R	X	R	R	R	R	N	R	R
Ethylene Dichloride	N	R	R	R	R	R	N	X	X	R	R	R	R	R	R	R	R	X	R	R	R	N	N	R	R
Ethylene Glycol	R	R	R	R	R	R	R	R	R	R	R	R	R	R	R	R	R	R	R	R	R	R	R	R	R
Ferric Chloride	N	N	N	N	N	R	R	X	N	N	R	R	R	R	R	R	N	X	R	R	R	R	R	R	R
Freon 113	X	X	X	X	X	R	R	X	X	R	R	R	R	R	X	R	R	R	R	R	R	N	R	R	R
Fuel Oils (#1 and #2)	R	R	R	R	R	R	R	R	R	R	R	R	R	R	R	R	R	X	R	R	R	N	R	R	R
Gasoline, Unleaded	R	R	X	R	R	R	N	R	R	R	R	R	R	R	R	R	R	R	R	R	R	N	R	R	R
Heptane	R	R	R	R	R	R	N	X	X	R	R	R	R	R	R	R	R	X	R	R	R	N	R	R	R
Hydraulic Oil (Petro)	R	R	R	R	R	R	R	R	X	R	N	R	R	R	R	R	R	R	R	R	R	N	R	R	R
Hydraulic Oil (Synthetic)	R	R	R	R	R	R	R	R	X	X	X	R	R	R	R	R	R	R	R	R	R	R	N	R	R
Hydrochloric Acid 20%	N	N	X	N	N	R	R	R	N	N	N	R	R	N	R	N	N	R	R	R	R	N	X	R	R
Hydrochloric Acid 37%	N	N	X	N	N	R	R	X	N	N	N	R	R	R	R	N	N	R	R	R	R	R	R	R	R
Hydrochloric Acid 100%	N	N	N	N	N	R	N	N	N	N	N	R	R	R	R	R	N	R	R	R	R	N	N	R	R
Hydrofluoric Acid 20%	R	N	X	N	N	R	R	R	N	N	R	R	R	N	X	N	N	R	R	R	R	N	N	R	R
Hydrofluoric Acid 100%	R	N	X	R	R	R	N	N	N	N	N	R	R	N	R	N	N	R	R	R	R	N	N	R	R
Hydrogen Peroxide 10%	R	R	X	R	R	R	R	R	N	N	R	R	R	R	N	R	N	R	R	R	R	R	N	R	R
Hydrogen Peroxide 30%	R	R	X	R	R	R	R	X	N	N	R	R	R	R	N	X	N	R	R	R	R	R	N	R	R
Hydrogen Peroxide 100%	R	R	N	R	R	R	R	X	N	N	N	R	R	R	N	X	N	R	R	R	R	N	N	R	R
Isopropyl Acetate	R	N	X	N	R	R	N	X	X	N	X	N	R	R	R	R	R	X	R	N	R	R	N	R	R
Kerosene	R	R	R	R	R	R	R	R	R	R	R	R	R	R	R	R	R	R	R	R	R	N	R	R	R
Ketones	R	R	X	R	R	R	N	X	X	N	R	N	R	R	R	R	R	X	R	N	R	R	N	R	R

CHEMICAL COMPATIBILITY GUIDE

Chemical Compatibility Guide for GPI Flowmeters

R = Recommended
N = Not Recommended
X = Unknown or Not Applicable







	Metals						Plastics								Journals, Shafts				O-Rings					
	Bronze	Aluminum	Brass	304 SS	316 SS	CD4MCu	PVC	PBT Polyester (Valox)	Nylon 6,6	Acetal (Delrin)	PPS (Ryton)	PVDF (Kynar)	Rulon 641	PEEK	Carbon - Graphite	Ceramic / Sapphire	Tungsten Carbide	Ferrite (MnZn)	Hastelloy-C	FKM/Fluorocarbon (Viton)	PTFE (Teflon)	EPDM	Buna-N (Nitrile)	Perfluoroelastomer (FFKM)
Lacquer Thinners	R	R	R	R	R	R	N	X	X	N	X	X	R	X	R	X	R	X	R	N	R	N	N	R
Lacquers	R	R	X	R	R	R	N	X	X	N	X	N	R	R	R	R	R	X	R	N	R	N	N	R
Lye: NaOH Sodium Hydroxide	N	N	N	R	R	N	R	X	X	N	R	N	R	R	X	R	R	X	N	R	R	R	R	R
Magnesium Hydroxide	R	N	N	R	R	R	R	X	R	R	R	R	R	R	R	R	R	X	R	R	R	R	R	R
Methanol (Methyl Alcohol)	R	R	R	R	R	R	R	X	R	R	R	R	R	R	R	R	R	R	R	N	R	R	R	R
Methyl Ethyl Ketone	R	R	R	R	R	R	N	R	R	N	R	N	R	R	R	R	X	R	R	N	R	R	N	R
Motor Oil	R	R	X	R	R	X	R	R	R	R	R	R	R	R	R	R	R	R	X	X	R	N	R	R
Nitrating Acid (> 15% H2SO4)	X	N	X	N	N	R	N	X	X	N	N	X	R	N	X	R	N	X	R	X	R	R	N	R
Nitric Acid (5-10%)	R	R	N	R	R	R	R	X	R	N	R	R	R	N	R	N	N	X	R	R	R	R	N	R
Nitric Acid (50%)	R	N	N	R	R	R	R	X	N	N	N	R	R	N	R	N	N	N	R	R	R	N	N	R
Nitric Acid (Concentrated)	R	N	N	R	R	R	R	R	N	N	N	R	R	N	N	N	N	N	R	R	R	N	N	R
Oils: Fuel (1, 2, 3, 5A, 5B, 6)	R	N	R	R	R	R	R	X	R	N	R	R	R	R	R	R	R	X	R	R	R	N	R	R
Oils: Hydraulic Oil (Petro)	R	R	R	R	R	R	R	R	R	R	N	R	R	R	R	R	R	X	R	R	R	N	R	R
Oils: Mineral	R	R	R	R	R	R	R	R	R	R	R	R	R	R	R	R	R	R	R	R	R	N	R	R
Oils: Transformer	X	R	X	R	R	X	R	R	X	R	X	R	R	R	R	R	R	X	X	R	R	N	R	R
Phosphoric Acid (< 40%)	R	N	N	N	N	R	R	X	N	N	R	R	R	R	R	R	N	N	R	R	R	R	N	R
Phosphoric Acid (> 40%)	R	N	N	N	N	R	R	X	N	N	R	R	R	R	R	R	N	X	R	R	R	R	N	R
Potassium Chloride	R	N	N	R	R	R	R	R	R	R	R	R	R	R	R	R	N	X	R	R	R	R	R	R
Potassium Hydroxide (Caustic Potash)	N	N	N	R	R	R	R	N	R	R	R	R	R	R	N	N	N	R	R	R	R	R	R	R
Potassium Hypochlorite	N	N	X	N	R	R	R	X	X	X	R	R	R	X	X	N	N	X	R	X	R	R	R	R
Propane (Liquefied)	R	R	R	R	R	R	R	X	R	R	X	R	R	R	R	R	R	X	R	R	R	N	R	R
Propylene Glycol	R	R	X	R	R	R	N	R	R	R	X	X	R	R	X	R	R	R	R	R	R	R	R	R
Salt Brine (NaCl Saturated)	R	R	X	R	R	R	R	X	X	X	R	R	R	R	R	X	N	X	R	R	R	R	R	R
Sea Water	R	R	N	N	N	R	R	R	X	R	R	R	R	R	R	R	N	X	R	R	R	R	R	R
Soap Solutions	R	N	R	R	R	R	R	X	R	R	R	R	R	R	R	R	R	R	R	R	R	R	R	R
Sodium Bicarbonate	R	N	N	R	R	R	R	R	X	R	R	R	R	R	R	R	R	R	R	R	R	R	R	R
Sodium Chloride	R	N	N	R	R	R	R	R	R	R	R	R	R	R	R	R	N	R	R	R	R	R	R	R
Sodium Hydroxide (20%)	R	N	R	R	R	R	R	X	R	R	R	R	R	R	R	R	N	X	R	N	R	R	R	R
Sodium Hydroxide (50%)	N	N	N	R	R	N	R	X	R	R	R	R	R	R	X	R	N	X	N	N	R	R	R	R
Sodium Hydroxide (80%)	N	N	N	N	R	R	R	N	R	N	R	R	R	R	R	R	N	N	R	N	R	R	N	R
Sodium Hypochlorite (< 20%)	N	N	N	N	N	R	R	X	N	N	R	R	R	R	R	R	N	R	R	R	R	R	R	R
Sodium Hypochlorite (100%)	N	N	N	N	N	R	R	X	N	N	R	R	R	R	N	R	N	R	R	R	R	R	N	R
Sulfuric Acid (< 10%)	R	N	X	N	R	R	R	X	N	N	R	R	R	R	R	R	N	X	R	R	R	R	R	R
Sulfuric Acid (75-100%)	R	N	X	N	N	R	N	X	N	X	R	R	R	N	N	R	N	N	R	R	R	R	N	R
Toluene (Toluol)	R	R	R	R	R	R	N	N	R	N	R	R	R	R	R	R	R	R	R	N	R	N	N	R
Trichloroethylene	R	N	X	R	R	R	N	X	R	N	R	R	R	R	R	X	R	R	R	R	R	N	N	R
Vinegar	R	N	N	R	R	R	R	R	N	R	R	R	R	R	R	R	R	R	R	R	R	R	R	R
Water, Deionized	X	N	R	R	R	R	R	X	X	X	R	R	R	X	R	R	X	X	R	R	R	R	R	R
Water, Distilled	R	N	R	R	R	R	R	R	X	R	R	R	R	R	R	R	R	X	R	R	R	R	R	R
Water, Salt	R	N	N	R	R	R	R	X	X	R	R	R	R	R	R	R	R	X	R	R	R	R	R	R
Xylene	R	R	R	R	R	R	N	N	R	R	R	R	R	R	R	R	R	X	R	R	R	N	N	R

APPROVALS GUIDE

At Great Plains Industries, we've been building rugged, reliable, liquid flowmeters for over 35 years. The GPI Industrial Meter family includes a full line of Precision and Industrial Turbine meters plus Oval Gear meters in various materials, sizes and fitting options.

We design products to meet the needs of our customers. This includes maintaining appropriate, industry standard approvals. Approvals vary by product line and may be dependent on meter application. For example, Oval Gear Meter approvals are dependent on application as outlined below.

The Approval symbol is listed under product specifications on individual product pages. If no approval mark is found, check the chart below. For details about specific "Approvals" refer to the chart.

3-A	3-A Sanitary Standards, Inc. "Flowmeters for Milk and Milk Products, Number 28-03" for GSCPS Models and L Option Meters.
ATEX	ATEX ANNEX VIII II 3 G Equipment Group II (other than mines); Category 3 (for zone 2); G (for gases, vapors and mist).
	Product reviewed for EMC Directive 89/336/EEC or 89/392/EEC. Includes: Euro Norms 50081-1 and 50082-1 on A1 and G2 Series Meters. Note: For Oval Gear Meters , the CE Approval is applied when meter is part of a system.
	Underwriters Laboratories - cUL Classified by UL to Canadian Standard C22.2 No. 157-92 and Canadian Electrical Code, Part 1 as Intrinsically Safe for Class I, Groups A, B, C & D; Class II, Groups E, F & G and Class III.
	EEx nL IIC T4 U Per Euro Norm 50021.
	Factory Mutual Approved Intrinsically Safe for Class I, II, III, Division 1, All Groups. Nonincendive for Class I, II, III, Division 2 Groups A, B, C, D, F, G.
	Federal Communication Commission Industry Canada Approval Class B; digital service, part 15 of FCC Rules.
IP44/IP54/IP66	Ingress Protection Code IP44 (Greater than 1 mm and splashed water); IP54 (Dust protected and splashed water); IP66 (Dust-tight and heavy seas).
IP/NEMA	Pulse versions of Oval Gear Meters have enclosure ratings that vary from IP54 / NEMA 13 to IP66 / NEMA 16 depending on the application.
NEMA 4	NEMA Requirements: Enclosure constructed for indoor or outdoor use to provide a degree of protection to personnel against incidental contact with the enclosed equipment. Protection against falling dirt, rain, sleet, snow, windblown dust, splashing or hose directed water that will be undamaged by the external formation of ice on the enclosure. <i>GPI products are tested to NEMA requirements.</i>
	Class I, Division I, Groups B, C and D. Class II, Division I, Groups E, F and G.



Flowmeter performance can be critical to customers in the field. All flowmeters produced by GPI are quality tested at the factory. We adhere to the strictest testing procedures. We take pride in the performance of our meters and want customers to rest assured, they have purchased one of the best.

Determining flowmeter performance is important to us, so we take extra efforts when it comes to performance testing. Although there are various methods for establishing performance, we use some of the most stringent methods available.

GPI calibration equipment includes primary and secondary standards that are NIST traceable. Primary standards include ballistic calibrators and weight calibration stands.

So when Performance and Repeatability count, ***COUNT on GPI.***

FLAMEC®

Flowmeter Catalog

version eight

**PARTNERSHIP
IN MOTION™**



GREAT PLAINS INDUSTRIES



QSTAR ULTRASONIC FLOWMETERS (UFM)



These meters are available in two models:

- A portable for mobile sampling measurements
- A fixed for measuring tasks over an extended period of time and continuous measurements in fixed installations.

Both units use the proven and highly precise ultrasonic transit time difference method.

By employing state-of-the-art digital processors, these robust measurement flowmeters are extremely accurate and drift-free.

The non-intrusive flow measurement is virtually:

- 100% leak-proof
- 100% pressure-resistant
- 100% drift-free
- 100% wear-free and thus maintenance-free
- 100% free of pressure loss and thus energy-saving

PRODUCT IDENTIFIER

QM = Ultrasonic Flowmeter with QStar Technology

CLAMP-ON MOUNTING TYPE

- E** = Fixed Energy *
- F** = Fixed
- P** = Portable

TRANSDUCER CHOICE AND PIPE SIZE

- 05** = 1/2 MHz for Pipe Sizes 8" to 240"
- 10** = 1 MHz for Pipe Sizes 1.5" to 16"
- 20** = 2 MHz for Pipe Sizes 1/2" to 4"

QM + F + 05

ACCESSORIES

- QMF-PT100** = Temperature Sensors, Fixed (16 ft. / 4.87 m)
- QMP-PT100** = Temperature Sensors, Portable (16 ft. / 4.87 m)
- QMF-F05** = Transducer, 0.5 MHz, 1 Pair, Fixed (16 ft. / 4.87 m)
- QMF-F10** = Transducer, 1 MHz, 1 Pair, Fixed (16 ft. / 4.87 m)
- QMF-F21** = Transducer, 2 MHz, 1 Pair, Fixed (16 ft. / 4.87 m)
- QMP-F05** = Transducer, 0.5 MHz, 1 Pair, Portable (BNC)
- QMP-F10** = Transducer, 1 MHz, 1 Pair, Portable (BNC)
- QMP-F21** = Transducer, 2 MHz, 1 Pair, Portable (BNC)
- QMS-WTG** = Thickness Gauge

SPARE PARTS

- | | |
|--|---|
| QMF-CASE = Case, Fixed (Repair) | QMP-MK10 = Mounting Chains, 1 Pair (50 in./1.27 m) |
| QMF-IOAC = Board I/O, Fixed AC (Repair) | QMP-ML05 = Lashing Strap, 2 Pair (390 in./9.9 m) |
| QMF-IODC = Board I/O, Fixed DC (Repair) | QMP-MT21 = Textile Belt, 1 Pair (14 in./35.5 m) |
| QMF-MB05 = Mounting Belt, SS (98 ft./29.87 m) | QMP-PS = Power supply DC (Plug-In) |
| QMF-MB10 = Mounting Belt, 1 Pair, SS, (63 in./1.6 m) | QMP-RBNC = Cable, Red (BNC, 9 ft./2.74 m) |
| QMF-MB21 = Mounting Belt, 1 Pair, SS, (22 in./55.9 m) | QMP-TL = Textile Belt, 1 Pair (63 in./1.6 m) |
| QMF-RS232 = Board, RS232 | QMP-USB = Cable, USB (36 in./0.91 m) |
| QMP-BBNC = Cable, Blue (BNC, 9 ft./2.74 m) | QMS-KG = Grease, Coupling (.75 Oz/22.2 ml) |
| QMP-BP = Battery Pack, Portable (Repair) | QMS-MS = Spacer Bar, Long |
| QMP-CAB4 = Cable (4-20 mA Output) | QMS-SB = Spacer Bar, Short |
| QMP-CABR = Cable (Relay) | |
| QMP-CASE = Case, Portable (Repair) | |
| QMP-IOB = Board I/O, Portable (Repair) | |

* Energy: Includes a pair of Temperature Sensors (QMF-PT100).

SPECIFICATIONS					
Model:	QSTAR PORTABLE		QSTAR FIXED		
Operation:	Intuitive via 8 main keys (Soft Keys), plain text display		Intuitive via 8 main keys (Soft Keys), plain text display		
Languages:	English, Spanish and French		English, Spanish and French		
Units:	Metric / US		Metric / US		
Outputs:	2x 4-20 mA, 1x Relay, 1x MicroUSB 1x Pulse		2x 4-20 mA, 1x Pulse, 1x MicroUSB 1x Relay, RS232 (opt.)		
Inputs:	2x PT100		2x PT100		
Integrated Data Logger:	2 GB		N/A		
Data Logged:	Measurement and totalizers		N/A		
Data Format:	Can be exported into standard office programs		N/A		
Memory Cycle:	Adjustable, 1 second to 24 hours		N/A		
Power Supply:	Integrated rechargeable battery and 100-240V AC adapter		85-264VAC, 18-36VDC (opt.)		
	Battery Duration: Approximately 5 hours		Power Consumption: 10 W		
Protection Class:	IP40		IP65, Ex/ATEX (in preparation)		
Housing:	Aluminium, PVC		PVC, wall-mounted		
Dimensions:	10.4 x 7.5 x 2.7 in. (26.4 x 19 x 6.8 cm)		10.2 x 9.4 x 4.7 in. (25.9 x 23.9 x 11.9 cm)		
Operating Temp:	-4° F to 140° F (-20° C to 60° C)		-4° F to 140° F (-20° C to 60° C)		
Transducer Temp:	-40° F to 300° F (-40° C to 149° C)		-40° F to 300° F (-40° C to 149° C)		
Weight:	3.3 lbs (1.5 kg)		2.9 lbs (1.3 kg)		
Display:	QVGA (320x240), black and white, adjustable backlighting		QVGA (320x240), black and white, adjustable backlighting		
Carrying Case:	20 x 16 x 16 (50.8 x 40.6 x 40.6 cm)		N/A		
MEASUREMENT			MEASUREMENT ACCURACY		
Principle:	Ultrasonic transit time difference with AFC technology		Inner Diameter Ø	Range	Deviation
Values Meas:	Flow, flow speed, heat flow		.39 - .98 in. (1.0 - 2.5 cm)	6.56-98.42 ft/s (2-30 m/s)	2.5% of reading
Totalizers:	Heat quantity, volume			0-6.56 ft/s (0-2 m/s)	± 0.16 ft/s (0.05 m/s)
Meas. Range:	+/- 98 ft/s (± 30 m/s)		.98-1.97 in. (2.5 - 5.0 cm)	6.56-98.42 ft/s (2-30 m/s)	1.5% of reading
Signal Damping:	0 - 100 sec (adjustable)			0-6.56 ft/s (0-2 m/s)	± 0.10 ft/s (0.03 m/s)
Diagnostic Functions:	Acoustic velocity, signal strength, SNR, signal quality, amplitude, energy Oscilloscope function allows graphical display and analysis of signals.		1.97-11.81 in. (5.0 - 30.0 cm)	6.56-98.42 ft/s (2-30 m/s)	1% of reading
				0-6.56 ft/s (0-2 m/s)	± 0.07 ft/s (0.02 m/s)
			11.81-236.22 in. (30.0 - 600.0 cm)	3.28-98.42 ft/s (1-30 m/s)	1% of reading
0-3.28 ft/s (0-1 m/s)	± 0.03 ft/s (0.01 m/s)				
Repeatability for majority of applications is <0.2%					
MODEL NO.	DESCRIPTION		MODEL NO.	DESCRIPTION	
QME05	Ultrasonic Flowmeter (ENERGY-FIXED, .5 MHz) 8" - 240"		QMP05	Ultrasonic Flowmeter (PORTABLE, .5 MHz) 8" - 240"	
QME10	Ultrasonic Flowmeter (ENERGY-FIXED, 1 MHz) 1.5" - 16"		QMP10	Ultrasonic Flowmeter (PORTABLE, 1 MHz) 1.5" - 16"	
QME20	Ultrasonic Flowmeter (ENERGY-FIXED, 2 MHz) .5" - 4"		QMP20	Ultrasonic Flowmeter (PORTABLE, 2 MHz) .5" - 4"	
QMF05	Ultrasonic Flowmeter (FIXED, .5 MHz) 8" - 240"		QMF-PT100	Temperature Sensor Kit, FIXED (16 ft. / 4.87 m)	
QMF10	Ultrasonic Flowmeter (FIXED, 1 MHz) 1.5" - 16"		QMP-PT100	Temperature Sensor Kit, PORTABLE (16 ft. / 4.87 m)	
QMF20	Ultrasonic Flowmeter (FIXED, 2 MHz) .5" - 4"		QMS-WTG	Pipe Wall Thickness Gauge	



G SERIES PRECISION METERS

The High Precision Meter line is the most accurate of the FLOMEC® Turbine Meters and includes a traditional design. These meters come in a variety of sizes and fitting options including BSPP, ISO, NPT and ANSI Flange fittings.

The GSCPS in this section carries the 3A Sanitary Rating.



1) Select Your Turbine



Threaded Models



Sanitary Clamp Models



Flange Models



2) Select Your Sensor



Local Pickup Wire Lead



3) Select Your Electronic Choice

For further details and selections see the Electronics Section.

Remote Models

GA500	F Series
GG500	E Series
GX500	SC500

Local Models

GA510	F Series
GG510	E Series
GX510	SC510



4) Do You Want It Assembled?

GPI will assemble the components you choose into a single unit, configured to your request.

Contact the factory for details on Custom System Assembly.

USE THIS AS A GUIDE – SIZES VARY BY FITTING TYPE.
(Does not apply to model GSCPS - 3A Meters)

See Reference Section for Meter Dimensions.

Product Identifier

G = G Series Precision Turbine Meter

Fitting Type

- N** = NPT (Male)
- I** = ISO 7-1 BSPT Taper (Male)
- B** = BSPP (Male)
- F** = Flanged
- SC** = Sanitary Clamp

Shaft / Sleeve Bearing / Thrust Bearing

- T-** = Tungsten Carbide / Tungsten Carbide / Tungsten Carbide
- P-** = Stainless Steel / PTFE / Stainless Steel

Turbine Size & Flowrate

- 050S** = 1/2 in. (0.6 - 6 GPM) Low Flow - Turbine Body Only♦
- 051S** = 1/2 in. (0.8 - 6 GPM) Standard - Uses Low Drag Standard Sensor 1
- 051H** = 1/2 in. (0.8 - 6 GPM) High Temp - Turbine Body Only♦
- 075S** = 3/4 in. (1.6 - 16 GPM) Standard - Uses Standard Sensor 2
- 075H** = 3/4 in. (1.6 - 16 GPM) High Temp - Turbine Body Only♦
- 075E** = 3/4 in. (2.32 - 23 GPM) Ext-Range - Uses Standard Sensor 2
- 75EH** = 3/4 in. (2.32 - 23 GPM) Ext-Range High Temp - Turbine Body Only♦
- 100S** = 1 in. (6.7 - 67 GPM) Standard - Uses Standard Sensor 2
- 100H** = 1 in. (6.7 - 67 GPM) High Temp - Turbine Body Only♦
- 150S** = 1-1/2 in. (17.7 - 177 GPM) Standard - Uses Standard Sensor 2
- 150H** = 1-1/2 in. (17.7 - 177 GPM) High Temp - Turbine Body Only♦
- 200S** = 2 in. (33 - 330 GPM) Standard - Uses Standard Sensor 2
- 200H** = 2 in. (33 - 330 GPM) High Temp - Turbine Body Only♦
- 300S** = 3 in. (60-600 GPM) Standard - Uses Standard Sensor 2

Sensor Choice

- 1** = Low Drag Standard Sensor with 12 inch Lead Wires
- 2** = Standard Sensor with 12 inch Lead Wires
- X** = No Sensor - Turbine Body Only

Electronic Choice (Local)*

Turbine Mounted

- 5** = GG510 - Standard Display
- 6** = GX510 - 4-20 mA Transmitter with Display
- 7** = GA510 - 4-20 mA Transmitter
- 8** = SC510 - Scaled Pulse Output
- X** = No Electronics - Turbine Body Only

G + **I** + **T-** + **-075S** + **2** + **-6** ← (Sample Model Number)

* Electronic Choice not available on all models.

Model GNT NPT Fitting



GNT shown here
with Local Display



For complete part number, see
"Meter Number Reference" for this section.

ACCURACY: ± 0.5%

Select Your Meter Size:

1/2 inch	1 inch	2 inch
3/4 inch	1-1/2 inch	3 inch



For Your Special Application Needs:

Model GNT HT

For High Temperatures

(This model is not available in 3 inch)



Sensor Options:

- Low Drag Pickup (1/2 in. turbines)
- Standard Pickup (3/4 to 3 in. turbines)

Electronics Options:

- GG510 (Display with Pulse Output)
- GX510 (Display with 4-20 mA Output)
- GA510 (4-20 mA Output)
- SC510 (Scaled Pulse Output)

SPECIFICATIONS

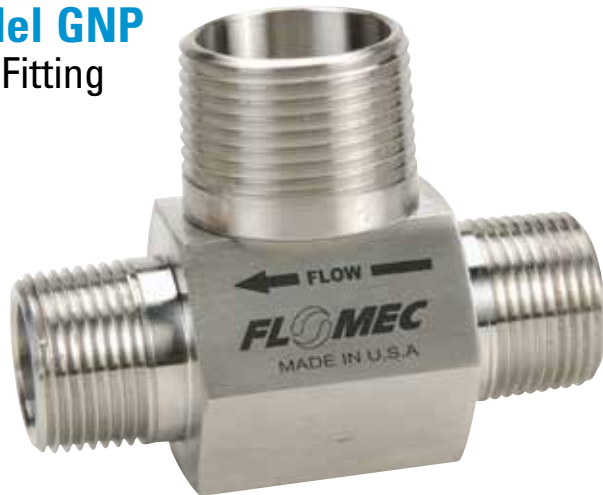
Design Type:	Turbine		
Housing Material:	316 Stainless Steel		
Meter Sizes Available:			
For GNT: NPT Taper (Male)	1/2"	3/4"	1" 1-1/2" 2" 3"
For GBT: BSPP + (Male)	1/2"	3/4"	1" 1-1/2" 2" 3"
For GIT: ISO Taper (Male) †	1/2"	3/4"	1" 1-1/2" 2" 3"
For High Temperature*: †	1/2"	3/4"	1" 1-1/2" 2" —
Flow Range:	1/2" (051)	0.8 - 6.0 GPM (3.0 - 22 LPM)	
	3/4" (075)	1.6 - 16 GPM (6.0 - 60 LPM)	
	3/4" (075E)	2.3 - 23 GPM (8.7 - 87 LPM)	
	1" (100)	6.7 - 67 GPM (25.2 - 252 LPM)	
	1-1/2" (150)	17.7 - 177 GPM (67.0 - 670 LPM)	
	2" (200)	33 - 330 GPM (125.0 - 1250 LPM)	
	3" (300)	60 - 600 GPM (227.1 - 2271 LPM)	
Accuracy (Linearity):	± 0.5%		
Repeatability:	± 0.1%		
Pressure Rating:	1/2" to 2" = 5,000 PSI / 340 BAR 3" = 2,500 PSI / 170 BAR		
Operating Temperature Range:			
For Tungsten Carbide:	-100° F to +225° F (-74° C to +107° C)		
For High Temperature:	-450° F to +800° F (-268° C to +426° C)		
Typical K-Factor:	1/2" (051)	10,000 PPG / 2642 PPL	
PPG (PPL)	3/4" (075)	3,750 PPG / 991 PPL	
	3/4" (075E)	2,608 PPG / 689 PPL	
	1" (100)	896 PPG / 237 PPL	
	1-1/2" (150)	340 PPG / 90 PPL	
	2" (200)	181 PPG / 48 PPL	
	3" (300)	50 PPG / 13 PPL	
Wetted Materials:			
Housing:	316 Stainless Steel		
Sleeve Bearings:	Tungsten Carbide		
Thrust Bearing:	Tungsten Carbide		
Shaft:	Tungsten Carbide		
Rotor:	CD4MCu Stainless Steel		
Rotor Supports:	316 Stainless Steel		
Retaining Rings:	300 Series Stainless Steel		
Recommended Strainer Size:			
	1/2"	40 mesh	
	3/4"	40 mesh	
	1"	40 mesh	
	1-1/2"	18 mesh	
	2"	14 mesh	
	3"	14 mesh	
Frequency Output:	1/2" (051)	125 - 1000 Hz	
	3/4" (075)	100 - 1000 Hz	
	3/4" (075E)	100 - 1000 Hz	
	1" (100)	100 - 1000 Hz	
	1-1/2" (150)	100 - 1000 Hz	
	2" (200)	100 - 1000 Hz	
	3" (300)	50 - 500 Hz	
Calibration Report	Comes standard with G Series meters. N.I.S.T. - Certification available.		

APPROVALS



* Requires High Temp Pickup.
† ISO 228-1 designation is G.
◆ ISO 7-1 BSPT

Model GNP NPT Fitting



GNP shown here
with Local Display

For complete part number, see
"Meter Number Reference" for this section.

ACCURACY: $\pm 0.5\%$

Select Your Meter Size:

1/2 inch	1 inch	2 inch
3/4 inch	1-1/2 inch	



Sensor Options:

- Low Drag Pickup (1/2 in. turbines)
- Standard Pickup (3/4 to 3 in. turbines)

Electronics Options:

- GG510 (Display with Pulse Output)
- GX510 (Display with 4-20 mA Output)
- GA510 (4-20 mA Output)
- SC510 (Scaled Pulse Output)

SPECIFICATIONS

Design Type:	Turbine	
Housing Material:	316 Stainless Steel	
Meter Sizes Available:		
For GNP: NPT (Male)	1/2" 3/4" 1" 1-1/2" 2"	
For GBP: BSPP+ (Male)	1/2" 3/4" 1" 1-1/2" 2"	
For GIP: ISO Taper (Male) ♦	1/2" 3/4" 1" 1-1/2" 2"	
Flow Range:	1/2" (050)*	0.6 - 6.0 GPM (2.2 - 22 LPM)
	1/2" (051)	0.8 - 6.0 GPM (3.0 - 22 LPM)
	3/4" (075)	1.6 - 16 GPM (6.0 - 60 LPM)
	3/4" (075E)	2.3 - 23 GPM (8.7 - 87 LPM)
	1" (100)	6.7 - 67 GPM (25.2 - 252 LPM)
	1-1/2" (150)	17.7 - 177 GPM (67.0 - 670 LPM)
	2" (200)	33 - 330 GPM (125.0 - 1250 LPM)
Accuracy (Linearity):	$\pm 0.5\%$	
Repeatability:	$\pm 0.1\%$	
Pressure Rating:	1/2" to 2" = 5,000 PSI / 340 BAR	
Operating Temperature Range:	-100° F to +185° F (-74° C to +85° C)	
Typical K-Factor:	1/2" (050)*	10,000 PPG / 2642 PPL
	1/2" (051)	10,000 PPG / 2642 PPL
	3/4" (075)	3,750 PPG / 991 PPL
	3/4" (075E)	2,608 PPG / 689 PPL
	1" (100)	896 PPG / 237 PPL
	1-1/2" (150)	340 PPG / 90 PPL
	2" (200)	181 PPG / 48 PPL
Wetted Materials:		
Housing:	316 Stainless Steel	
Sleeve Bearings:	PTFE	
Thrust Bearing:	440C Stainless Steel	
Shaft:	316 Stainless Steel	
Rotor:	CD4MCu Stainless Steel	
Rotor Supports:	316 Stainless Steel	
Retaining Rings:	300 Series Stainless Steel	
Recommended Strainer Size:		
	1/2"	40 mesh
	3/4"	40 mesh
	1"	40 mesh
	1-1/2"	18 mesh
	2"	14 mesh
Frequency Output:	1/2" (051)*	125 - 1000 Hz
	3/4" (075)	100 - 1000 Hz
	3/4" (075E)	100 - 1000 Hz
	1" (100)	100 - 1000 Hz
	1-1/2" (150)	100 - 1000 Hz
	2" (200)	100 - 1000 Hz
Calibration Report	Comes standard with G Series meters. N.I.S.T. – Certification available.	

APPROVALS



* 1/2 in. (050) requires RF Pickup.

† ISO 228-1 designation is G.

♦ ISO 7-1 BSPT

Model GFT

150# RF ANSI Flange Fitting



GFT shown here
with GX510



For complete part number, see
"Meter Number Reference" for this section.

ACCURACY: ± 0.5%

Select Your Meter Size:

3/4 inch	1-1/2 inch	3 inch
1 inch	2 inch	



For Your Special Application Needs:

Model GFP

For Chemicals

(These models not available in 3 inch)

Model GFT HT

For High Temperatures



Sensor:

- Standard Pickup (3/4 to 3 inch turbines)

Electronics Options:

- GG510 (Display with Pulse Output)
- GX510 (Display with 4-20 mA Output)
- GA510 (4-20 mA Output)
- SC510 (Scaled Pulse Output)

SPECIFICATIONS

Design Type:	Turbine				
Housing Material:	316 Stainless Steel				
Meter Sizes Available:					
For GFT:	3/4"	1"	1-1/2"	2"	3"
For GFP:	3/4"	1"	1-1/2"	2"	—
For High Temperature:	3/4"	1"	1-1/2"	2"	—
Flow Range:	3/4" (075)	1.6 - 16 GPM (6.0 - 60 LPM)			
	3/4" (075E)	2.3 - 23 GPM (8.7 - 87 LPM)			
	1" (100)	6.7 - 67 GPM (25.2 - 252 LPM)			
	1-1/2" (150)	17.7 - 177 GPM (67.0 - 670 LPM)			
	2" (200)	33 - 330 GPM (125.0 - 1250 LPM)			
	3" (300)	60 - 600 GPM (227.1 - 2271 LPM)			
Accuracy (Linearity):	± 0.5%				
Repeatability:	± 0.1%				
Pressure Rating:	Flange Rule				
Operating Temperature Range:					
For SS/PTFE:	-450° F to +800° F (-268° C to +426° C)				
For Tungsten Carbide:	-100° F to +225° F (-74° C to +107° C)				
Typical K-Factor:	3/4" (075)	3,750 PPG / 991 PPL			
	3/4" (075E)	2,608 PPG / 689 PPL			
	1" (100)	896 PPG / 237 PPL			
	1-1/2" (150)	340 PPG / 90 PPL			
	2" (200)	181 PPG / 48 PPL			
	3" (300)	50 PPG / 13 PPL			
Wetted Materials (GFT):					
Housing:	316 Stainless Steel				
Sleeve Bearings:	Tungsten Carbide				
Thrust Bearing:	Tungsten Carbide				
Shaft:	Tungsten Carbide				
Rotor:	CD4MCu Stainless Steel				
Rotor Supports:	316 Stainless Steel				
Retaining Rings:	300 Series Stainless Steel				
Wetted Materials (GFP):					
Housing:	316 Stainless Steel				
Sleeve Bearings:	PTFE				
Thrust Bearing:	440C Stainless Steel				
Shaft:	316 Stainless Steel				
Rotor:	CD4MCu Stainless Steel				
Rotor Supports:	316 Stainless Steel				
Retaining Rings:	300 Series Stainless Steel				
Recommended Strainer Size:					
	3/4"	40 mesh			
	1"	40 mesh			
	1-1/2"	18 mesh			
	2"	14 mesh			
	3"	14 mesh			
Frequency Output:	3/4" (075)	100 - 1000 Hz			
	3/4" (075E)	100 - 1000 Hz			
	1" (100)	100 - 1000 Hz			
	1-1/2" (150)	100 - 1000 Hz			
	2" (200)	100 - 1000 Hz			
	3" (300)	50 - 500 Hz			
Calibration Report	Comes standard with G Series meters. N.I.S.T. - Certification available.				

APPROVALS



* Requires High Temp Pickup.

Model GSCPS

Standard Sanitary Clamp

**Model GSCPS**

Low Profile Sanitary Clamp



For complete part number, see
"Meter Number Reference" for this section.

ACCURACY: $\pm 0.5\%$

**GSCPS Stainless Steel
Precision Turbine Meter**

**Select Your Meter Size:**

- 1 inch Meter with 1-1/2 inch Fitting
- 1-1/2 inch Meter with 1-1/2 inch Fitting
- 2 inch Meter with 2 inch Fitting

SPECIFICATIONS

Design Type:	Turbine	
Housing Material:	316 Stainless Steel	
Meter Sizes Available (ID):	1" 1-1/2" 2"	
Meter ID:	1"	1-1/2" Fitting
	1-1/2"	1-1/2" Fitting
	2"	2" Fitting
Flow Range:	1" (100)	6.7 - 67 GPM (25.2 - 252 LPM)
	1-1/2" (150)	17.7 - 177 GPM (67.0 - 670 LPM)
	2" (200)	33 - 330 GPM (125.0 - 1250 LPM)
Accuracy (Linearity):	$\pm 0.5\%$	
Repeatability:	$\pm 0.1\%$	
Pressure Rating:	Limited by fitting size, clamp size & temp.	
Operating Temperature Range:		
For GSCPS:	-100° F to +225° F (-74° C to +107° C)	
SIP (up to 1 hour):	+285° F (+140° C)	
Typical K-Factor:	1" (100)	896 PPG / 237 PPL
	1-1/2" (150)	340 PPG / 90 PPL
	2" (200)	181 PPG / 48 PPL
Wetted Materials (SIP):		
Housing:	316 Stainless Steel	
Bearings & Bushings:	PEEK	
Shaft:	316 Stainless Steel	
Rotor:	CD4MCu Stainless Steel (Nickel Plated)	
Rotor Supports:	316 Stainless Steel	
Retaining Rings:	300 Series Stainless Steel	
Recommended Strainer Size:		
	1"	40 mesh
	1-1/2"	18 mesh
	2"	14 mesh
Frequency Output:	1" (100)	100 - 1000 Hz
	1-1/2" (150)	100 - 1000 Hz
	2" (200)	100 - 1000 Hz
Calibration Report	Comes standard with G Series meters. N.I.S.T. – Certification available.	

APPROVALS

GSCPS & "L" Option Meters carry a



Sanitary Rating.

Flowmeters for milk and milk products, Number 28-04.



This meter meets the strict 3-A Sanitary Standards using the new "Third Party Verification" (TPV) program. Our methods of design, construction and traceability of components have been reviewed and approved.

The internals of this meter are machined or polished to meet 3-A self-draining and cleaning requirements (Ra 32). The GSCPS Meter meets Clean in Place (CIP), Steam in Place (SIP) and Clean Out of Place (COP) requirements.

SANITARY CLAMP Precision Meters

G SERIES

Use this meter in pre-process applications where high accuracy is required without 3-A Approval.

Model GSCP Tri-Clover® Clamp



GSCP shown here
with Local Display



For complete part number, see
"Meter Number Reference" for this section.

ACCURACY: ± 0.5%

Select Your Meter Size:

- 1/2 inch Meter with 3/4 or 1 inch Fitting
- 3/4 inch Meter with 1-1/2 inch Fitting
- 1 inch Meter with 1-1/2 inch Fitting
- 1-1/2 inch Meter with 1-1/2 inch Fitting
- 2 inch Meter with 2 inch Fitting



Sensor Options:

- Low Drag Pickup (1/2 in. turbines)
- Standard Pickup (3/4 to 2 in. turbines)

Electronics Options:

- GG510 (Display with Pulse Output)
- GX510 (Display with 4-20 mA Output)
- GA510 (4-20 mA Output)
- SC510 (Scaled Pulse Output)

SPECIFICATIONS

Design Type:	Turbine				
Housing Material:	316 Stainless Steel				
Meter Sizes Available (ID):	1/2"	3/4"	1"	1-1/2"	2"
Meter ID:	1/2"	3/4" Fitting			
	1/2"	1" Fitting			
	3/4"	1-1/2" Fitting			
	1"	1-1/2" Fitting			
	1-1/2"	1-1/2" Fitting			
	2"	2" Fitting			
Flow Range:	1/2" (050) [†]	0.6 - 6 GPM	(2.2 - 22 LPM)		
	1/2" (051)	0.8 - 6 GPM	(3.0 - 22 LPM)		
	3/4" (075)	1.6 - 16 GPM	(6.0 - 60 LPM)		
	3/4" (075E)	2.3 - 23 GPM	(8.7 - 87 LPM)		
	1" (100)	6.7 - 67 GPM	(25.2 - 252 LPM)		
	1-1/2" (150)	17.7 - 177 GPM	(67.0 - 670 LPM)		
	2" (200)	33 - 330 GPM	(125.0 - 1250 LPM)		
Accuracy (Linearity):	± 0.5%				
Repeatability:	± 0.1%				
Pressure Rating:	Limited by fitting size, clamp size & temp.				
Operating Temperature Range:	-100° F to +185° F (-74° C to +85° C)				
Typical K-Factor:	1/2" (050) [†]	10,000 PPG / 2642 PPL			
	1/2" (051)	10,000 PPG / 2642 PPL			
	3/4" (075)	3,750 PPG / 991 PPL			
	3/4" (075E)	2,608 PPG / 689 PPL			
	1" (100)	896 PPG / 237 PPL			
	1-1/2" (150)	340 PPG / 90 PPL			
	2" (200)	181 PPG / 48 PPL			
Wetted Materials:					
Housing:	316 Stainless Steel				
Sleeve Bearings:	PTFE				
Thrust Bearing:	440C Stainless Steel				
Shaft:	316 Stainless Steel				
Rotor:	CD4MCu Stainless Steel				
Rotor Supports:	316 Stainless Steel				
Retaining Rings:	300 Series Stainless Steel				
Recommended Strainer Size:					
	1/2"	40 mesh			
	3/4"	40 mesh			
	1"	40 mesh			
	1-1/2"	18 mesh			
	2"	14 mesh			
Frequency Output:	1/2" (050)	100 - 1000 Hz			
	1/2" (051)	125 - 1000 Hz			
	3/4" (075)	100 - 1000 Hz			
	3/4" (075E)	100 - 1000 Hz			
	1" (100)	100 - 1000 Hz			
	1-1/2" (150)	100 - 1000 Hz			
	2" (200)	100 - 1000 Hz			
Calibration Report	Comes standard with G Series meters. N.I.S.T. – Certification available.				

[†] GSCP-050 requires RF Pickup.

Magnetic Pickups



When choosing a magnetic pickup, the turbine meter and electronics are generally already known. Electronics can be either Local or Remote. Remote electronics include FLOMEC® Remote Displays or output to customer supplied equipment. Follow these 3 steps when choosing a magnetic pickup then see the Specification Table for further details.



1
Select your size:
1/2 inch or
3/4 to 3 inch



2
Choose: Local or Remote/Output
Local uses a wire lead pickup.
Remote/Output requires a connector.



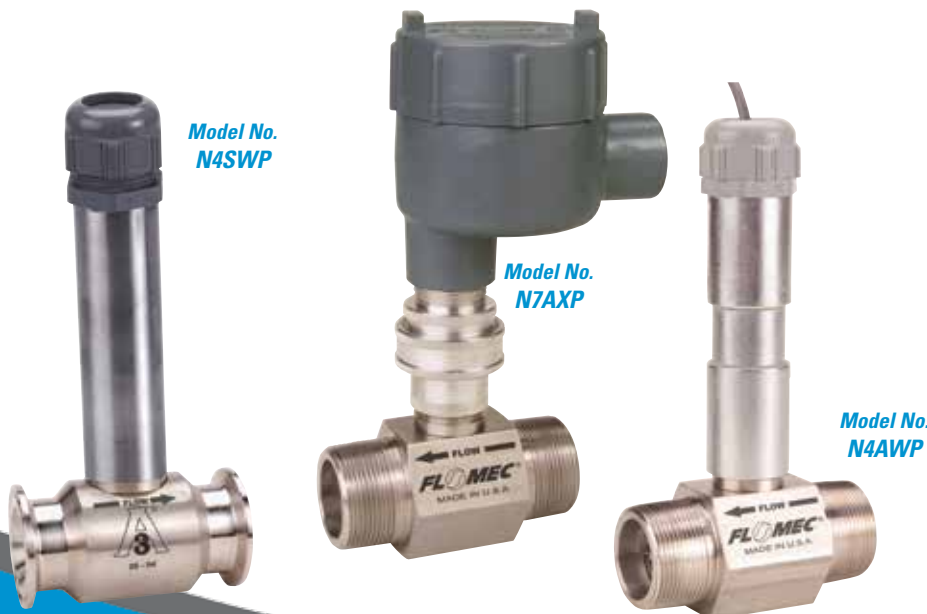
3
What's your signal type:
Sine Wave or Square Wave
Sine Wave - has no sensor power, can be used with battery powered displays.
Square Wave - sensor power is required.

1/2 INCH METER SIZES								Magnetic Pickups work with...		
Description	Part Number	Sensor Power	Temperature Range	Cable Type	Connector Required	Cable Length	Thread Size	Local	Remote	Battery Pwr Display
Wire Lead Low Drag	81006001	None	-100° F to +250° F (-73° C to +121° C)	None	None	12 in. (30.5 cm)	5/8" - 18	X		Yes
Low Drag	81006000	None	-100° F to +250° F (-73° C to +121° C)	S	80001200	N/A	5/8" - 18		X	Yes
High Temp., Low Drag (10 ft. cable)	81007001	None	-450° F to +800° F (-268° C to +426° C)	None	None	10 ft. (24.4 cm)	5/8" - 18		X	Yes
* RF (required for GNP-050, GTP-050 & GSCP-050)	81005002	7-30 VDC	-40° F to +248° F (-29° C to +120° C)	D	80001202	N/A	5/8" - 18		X	No

3/4 TO 3 INCH METER SIZES								Magnetic Pickups work with...		
Description	Part Number	Sensor Power	Temperature Range	Cable Type	Connector Required	Cable Length	Thread Size	Local	Remote	Battery Pwr Display
Wire Lead Standard	81003000	None	-100° F to +250° F (-73° C to +121° C)	None	None	12 in. (30.5 cm)	5/8" - 18	X		Yes
Standard	81001000	None	-100° F to +250° F (-73° C to +121° C)	S	80001200	N/A	5/8" - 18		X	Yes
Herm / High Temperature	81002000	None	-450° F to +258° F (-268° C to +125° C)	S	80001200	N/A	5/8" - 18		X	Yes
High Temperature, Standard	81007000	None	-450° F to +800° F (-268° C to +426° C)	None	None	3 ft. (0.91 m)	5/8" - 18		X	Yes
▲* Digital (Di-Mag)	81004000	5-32 VDC	-40° F to +248° F (-29° C to +120° C)	D	80001202	N/A	5/8" - 18		X	No

▲ Pulls up to 10 VDC (Max) * Externally powered pickups for pulse output only.

Pickup Enclosures



Pickup Enclosures are optional on G Serie Meters. Choose from four pickup enclosures. Models N4A and N4S are weather-proof enclosures. For explosion-proof enclosures, choose N7A for the enclosure without terminal strip or the N7AT with terminal strip.

ENCLOSURES – PART NUMBERS	
Description	Part Number
N4AWP - Weatherproof magnetic pickup steel enclosure	80001101
N4SWP - Weatherproof magnetic pickup 316 S.S. enclosure	80001105
N7AXP - Explosion-proof pickup enclosure (NEMA 7D)	80001100
N7ATXP - Explosion-proof pickup enclosure w/terminal strip (NEMA 7D)	80001102
Optional Spacer	42825524

Connectors

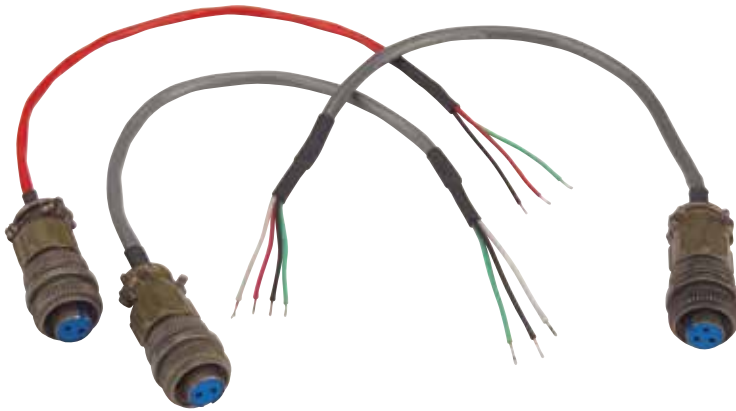


Connectors are included with FLOMEC® cable assemblies. If you need replacement connectors, choose from the following:

CONNECTORS – PART NUMBERS

Description	Part Number
Standard mating connector (2 pin) used on Type S and T cable assemblies	80001200
Water resistant connector (2 pin) used on Type H cable assembly	80001201
Di-Mag connector (3 pin) used on Type D cable assembly	80001202

Cable Assemblies



FLOMEC® Cable Assemblies include the connector.

CABLE ASSEMBLY – PART NUMBERS

Type "S" Standard Cable (2 Conductor)		Type "H" Water Resistant (2 Conductor)	
Cable Length	Part No.	Cable Length	Part No.
8 in. (20.7 cm)	83001001	8 in. (20.7 cm)	83003001
5 ft. (1.52 m)	83001005	5 ft. (1.52 m)	83003005
10 ft. (3.04 m)	83001010	10 ft. (3.04 m)	83003010
15 ft. (4.57 m)	83001015	15 ft. (4.57 m)	83003015
20 ft. (6.09 m)	83001020	20 ft. (6.09 m)	83003020
25 ft. (7.62 m)	83001025	25 ft. (7.62 m)	83003025
30 ft. (9.35 m)	83001030	30 ft. (9.35 m)	83003030
40 ft. (12.19 m)	83001040	40 ft. (12.19 m)	83003040
50 ft. (15.24 m)	83001050	50 ft. (15.24 m)	83003050
75 ft. (22.86 m)	83001075	75 ft. (22.86 m)	83003075
100 ft. (30.48 m)	83001100		
125 ft. (38.1 m)	83001125		
Type "D" Di-Mag or RF (3 Conductor)		Type "T" High Temperature (2 Conductor)	
Cable Length	Part No.	Cable Length	Part No.
8 in. (20.7 cm)	83002001	8 in. (20.7 cm)	83004001
5 ft. (1.52 m)	83002005	5 ft. (1.52 m)	83004005
10 ft. (3.04 m)	83002010	10 ft. (3.04 m)	83004010
15 ft. (4.57 m)	83002015	15 ft. (4.57 m)	83004015
20 ft. (6.09 m)	83002020	20 ft. (6.09 m)	83004020
25 ft. (7.62 m)	83002025	25 ft. (7.62 m)	83004025
30 ft. (9.35 m)	83002030	30 ft. (9.35 m)	83004030
40 ft. (12.19 m)	83002040	40 ft. (12.19 m)	83004040
50 ft. (15.24 m)	83002050	50 ft. (15.24 m)	83004050
75 ft. (22.86 m)	83002075	75 ft. (22.86 m)	83004075



G2 SERIES INDUSTRIAL GRADE METERS

The unique modular approach of the Industrial Grade Meter line allows you to design a meter to match your specific application. Turbine choice depends on flowrate, line size, pressure rating, fitting type, chemical compatibility and temperature range. When choosing a G2 Series Meter, select from our wide variety of materials and sizes. These meters offer high accuracy at a lower cost, are compact and include a self-contained design. G2 Series Meters are field serviceable.

1) Select Your Turbine Material and Size

Turbine choice depends on flowrate, line size, pressure rating, fitting type, chemical compatibility and temperature range.



Stainless Steel



"Look for the blue label!"

Aluminum
(Shown with 09 Computer)



"Look for the blue label!"

Brass
(Shown with 09 Computer)



PVDF

2) Need A Computer?



"Look for the blue label!"

09 Computer



XX No Computer

Or Choose an Electronics
(For further details and selections see the Electronics Section.)

3) Add a Module?



Standard Remote Kit



FM Approved Remote Kit



Conditioned Signal Output Module



FM Approved Sensor Kit



4-20 mA Module

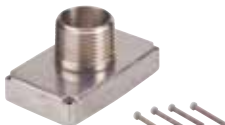


Pulse Access Module



External Power Module
(Pulse Access Module Required)

4) Do You Require Any Accessories?



Conduit Adapter Kit



90° Display Adapter Kit



510 Conversion Kit



Pulse Access Dust Cover



Electronics Programmer

Product Identifier

G2 = Industrial Grade Meter

Turbine Material & Size

Metal Meters:

- S05** = Stainless Steel – 1/2 in.
- S07** = Stainless Steel – 3/4 in.
- S10** = Stainless Steel – 1 in.
- S15** = Stainless Steel – 1-1/2 in.
- S20** = Stainless Steel – 2 in.
- H05** = Stainless Steel High Pressure – 1/2 in.
- H07** = Stainless Steel High Pressure – 3/4 in.
- H10** = Stainless Steel High Pressure – 1 in.

- H15** = Stainless Steel High Pressure – 1-1/2 in.
- H20** = Stainless Steel High Pressure – 2 in.
- A05** = Aluminum – 1/2 in.
- A07** = Aluminum – 3/4 in.
- A10** = Aluminum – 1 in.
- A15** = Aluminum – 1-1/2 in.
- A20** = Aluminum – 2 in.
- B05** = Brass – 1/2 in.
- B07** = Brass – 3/4 in.

- B10** = Brass – 1 in.
- B15** = Brass – 1-1/2 in.
- B20** = Brass – 2 in.

Plastic Meters:

- P05** = PVDF – 1/2 in.
- P10** = PVDF – 1 in.

Fitting Type

- F** = 150# ANSI Flange - available on S10, S15 and S20 only
- I** = ISO (Female) BSPT*
- N** = NPT (Female)
- T** = Tri-Clover® Fitting - available on S05 - S20 only
- X** = Electronics Only - for metal meters
- Z** = Electronics Only - for plastic meters

See Reference section for meter dimensions.

Electronic Choice

Turbine with Local Display

- 09** = 2 Button Computer, Field Configurable (2 Totals and Rate of Flow)
- 19** = Vertical Mount 2-Button Computer, Field Configurable (2 Totals and Rate of Flow)

Pulse Output (Remote)

- 41** = Remote Pulse Out Transmitter & Sine Wave Pickup (Standard Remote Sensor Option)
- 43** = Remote Pulse Out Transmitter & Turbine Mounted Computer (Pulse Out Sensor Option)

GG500 – Display with Pulse Output (Remote)

- 51** = Sine Wave Pickup (Standard Remote Sensor Option)
- 52** = Open Collector Pickup (Conditioned Signal Sensor Option)
- 53** = Turbine Mounted Computer (Pulse Access Sensor Option)

GX500 – Display with 4-20 mA Output (Remote)

- 61** = Sine Wave Pickup (Standard Remote Sensor Option)
- 62** = Open Collector Pickup (Conditioned Signal Sensor Option)
- 63** = Turbine Mounted Computer (Pulse Access Sensor Option)

GA500 – 4-20 mA Output (Remote)

- 71** = Sine Wave Pickup (Standard Remote Sensor Option)
- 72** = Open Collector Pickup (Conditioned Signal Sensor Option)
- 73** = Turbine Mounted Computer (Pulse Access Sensor Option)

No Electronics – Turbine Only

- XX** = No Electronics – Turbine Only

Calibration

- GM** = Gallons / Minute
- LM** = Litres / Minute
- XX** = No Computer

Packaging

- A** = Use for Turbine Only or Turbine w/Display (Sizes 05-10)
- B** = Use for Turbine Only or Turbine w/Display (Sizes 15-20)
- C** = Use for Turbine with Remote Transmitter With or Without Turbine Mounted Display (Sizes 05-20)
- D** = Use for 150# ANSI Flange Turbine Only (Size 10)
- E** = Use for 150# ANSI Flange Turbine Only (Sizes 15-20) Use for 150# ANSI Flange Turbine with Remote Transmitter (Sizes 10, 15 or 20)

G2 + **S07** + **N** + **09** + **GM** + **A** ← (Sample Model Number)

* ISO 7 designation is RC



"Look for the blue label!"

The FLOMEC® Stainless Steel Meter line has a proven track record in the industrial market. FLOMEC Stainless Steel Meters are rugged and dependable. Use stainless steel meters for most chemicals: Ammonium, Plating Solutions and Fuel products.

* ISO 7 designation is RC

For complete part number, see "Meter Number Reference" for this section.

Select Your Meter Size:

1/2 inch 3/4 inch 1 inch 1-1/2 inch 2 inch



Features and Benefits:

- ✓ Meter is designed for thin fluids < 100 cp.
- ✓ Modular design allows for use with Output Modules, Sensors and Remote Transmitters.
- ✓ 2 Totals (Batch = Resettable, Cumulative = Non-Resettable); Rate of Flow. Factory calibrated in gallons and litres. Field calibratable. Allows user calibration. Includes non-volatile totals.
- ✓ High accuracy meter.
- ✓ Internal parts are simple to replace for easy maintenance.
- ✓ Lithium battery life: 5 years.
- ✓ Accessories easily upgrade meter.

STAINLESS STEEL – SPECIFICATIONS

Fitting Type:	NPT or ISO (Female) BSPT*	
Housing Material:	316 Stainless Steel	
Meter Sizes Available:	1/2" 3/4" 1" 1-1/2" 2"	
Flow Range:	1/2" (S05)	1 - 10 GPM (3.8 - 37.9 LPM)
	3/4" (S07)	2 - 20 GPM (7.6 - 75.7 LPM)
	1" (S10)	5 - 50 GPM (18.9 - 190 LPM)
	1-1/2" (S15)	10 - 100 GPM (38.0 - 380 LPM)
	2" (S20)	20 - 200 GPM (76 - 760 LPM)
Accuracy (% of Reading):	Turbine Only	Turbine w/Computer
	1/2" (S05)	± 2.0%
	3/4" (S07)	± 1.5%
	1" (S10)	± 1.5%
	1-1/2" (S15)	± 1.0%
	2" (S20)	± 1.0%
Repeatability:	± 0.1%	
Pressure Rating:	1,500 PSI / 102 BAR	
Operating Temperature Range:	-40° F to +250° F (-40° C to +121° C)	
	with Computer: 0° F to +140° F (-18° C to +60° C)	
Typical K-Factor:	1/2" (S05)	2,500 PPG / 660 PPL
	3/4" (S07)	1,100 PPG / 291 PPL
	1" (S10)	565 PPG / 149 PPL
	1-1/2" (S15)	215 PPG / 57 PPL
	2" (S20)	100 PPG / 26 PPL
Wetted Materials:	Housing:	316 Stainless Steel
	Bearings:	96% Alumina Ceramic
	Shaft:	Tungsten Carbide
	Rotor:	PVDF
	Rings:	316 Stainless Steel
Frequency Range:	1/2" (S05)	42 - 420 Hz @ 1 - 10 GPM
	3/4" (S07)	37 - 370 Hz @ 2 - 20 GPM
	1" (S10)	47 - 470 Hz @ 5 - 50 GPM
	1-1/2" (S15)	36 - 360 Hz @ 10 - 100 GPM
	2" (S20)	33 - 330 Hz @ 20 - 200 GPM
Recommended Strainer Size:	1/2", 3/4" and 1" 60 mesh (250 micron)	
	1-1/2" and 2" 30 mesh (595 micron)	
Maximum Flow:	1/2" (S05)	15 GPM (56.8 LPM)
	3/4" (S07)	30 GPM (113.6 LPM)
	1" (S10)	75 GPM (284 LPM)
	1-1/2" (S15)	150 GPM (568 LPM)
	2" (S20)	300 GPM (1,136 LPM)
Wrench Flat Size:	1/2" (S05)	1-1/16 inch (27 mm)
	3/4" (S07)	1-5/16 inch (33 mm)
	1" (S10)	1-5/8 inch (41 mm)
	1-1/2" (S15)	2-3/8 inch (60 mm)
	2" (S20)	3 inch (75 mm)
Shipping Weight:	1/2" (S05)	2.3 lbs./1.0 kg - Turbine Only; 2.1 lbs./0.95 kg
	3/4" (S07)	2.5 lbs./1.1 kg - Turbine Only; 2.3 lbs./1.0 kg
	1" (S10)	3.0 lbs./1.3 kg - Turbine Only; 2.8 lbs./1.2 kg
	1-1/2" (S15)	4.6 lbs./2.1 kg - Turbine Only; 4.4 lbs./2.0 kg
	2" (S20)	6.8 lbs./3.0 kg - Turbine Only; 6.6 lbs./3.0 kg
Calibration Report	Comes standard with G2 Series meters. N.I.S.T. – Certification available.	

ELECTRONIC CHOICES

Local Display, Remote Display & Remote Transmitter Options:	See Electronics Section.
--	--------------------------

APPROVALS





"Look for the blue label!"

This is the turbine meter of choice for high pressure applications like spray washers and hydraulic systems. PSIG for the FLOMEC® High Pressure Meter is 3,000 compared to 1,500 for the standard stainless steel meter. This proven meter can perform in all kinds of high pressure applications.

* ISO 7 designation is RC

For complete part number, see
"Meter Number Reference" for this section.

Select Your Meter Size:

1/2 inch 3/4 inch 1 inch 1-1/2 inch 2 inch



Features and Benefits:

- ✓ Meter is designed for thin fluids < 100 cp.
- ✓ Excellent chemical compatibility.
- ✓ Modular design allows for use with Output Modules, Sensors and Remote Transmitters.
- ✓ 2 Totals (Batch = Resettable, Cumulative = Non-Resettable); Rate of Flow. Factory calibrated in gallons and litres. Field calibratable. Allows user calibration. Includes non-volatile totals.
- ✓ Internal parts are simple to replace for easy maintenance.
- ✓ Lithium battery life: 5 years.

HIGH PRESSURE – SPECIFICATIONS

Fitting Type:	NPT or ISO (Female) BSPT*	
Housing Material:	316 Stainless Steel	
Meter Sizes Available:	1/2" 3/4" 1" 1-1/2" 2"	
Flow Range:	1/2" (H05)	1 - 10 GPM (3.8 - 37.9 LPM)
	3/4" (H07)	2 - 20 GPM (7.6 - 75.7 LPM)
	1" (H10)	5 - 50 GPM (18.9 - 190 LPM)
	1-1/2" (H15)	10 - 100 GPM (38.0 - 380 LPM)
	2" (H20)	20 - 200 GPM (76 - 760 LPM)
Accuracy (% of Reading):	Turbine Only	Turbine w/Computer
	1/2" (H05)	± 2.0%
	3/4" (H07)	± 1.5%
	1" (H10)	± 1.5%
	1-1/2" (H15)	± 1.0%
	2" (H20)	± 1.0%
Repeatability:	± 0.1%	
Pressure Rating:	3,000 PSI / 207 BAR	
Operating Temperature Range:	-40° F to +250° F (-40° C to +121° C)	
	with Computer: 0° F to +140° F (-18° C to +60° C)	
Typical K-Factor:	1/2" (H05)	2,500 PPG / 660 PPL
	3/4" (H07)	1,100 PPG / 291 PPL
	1" (H10)	565 PPG / 149 PPL
	1-1/2" (H15)	215 PPG / 57 PPL
	2" (H20)	100 PPG / 26 PPL
Wetted Materials:	Housing:	316 Stainless Steel
	Bearings:	96% Alumina Ceramic
	Shaft:	Tungsten Carbide
	Rotor:	PVDF
	Rings:	316 Stainless Steel
Frequency Range:	1/2" (H05)	42 - 420 Hz @ 1 - 10 GPM
	3/4" (H07)	37 - 370 Hz @ 2 - 20 GPM
	1" (H10)	47 - 470 Hz @ 5 - 50 GPM
	1-1/2" (H15)	36 - 360 Hz @ 10 - 100 GPM
	2" (H20)	33 - 330 Hz @ 20 - 200 GPM
Recommended Strainer Size:		
	1/2", 3/4" and 1"	60 mesh (250 micron)
	1-1/2" and 2"	30 mesh (595 micron)
Maximum Flow:	1/2" (H05)	15 GPM (56.8 LPM)
	3/4" (H07)	30 GPM (113.6 LPM)
	1" (H10)	75 GPM (284 LPM)
	1-1/2" (H15)	150 GPM (568 LPM)
	2" (H20)	300 GPM (1,136 LPM)
Wrench Flat Size:	1/2" (H05)	1-1/16 inch (27 mm)
	3/4" (H07)	1-5/16 inch (33 mm)
	1" (H10)	1-5/8 inch (41 mm)
	1-1/2" (H15)	2-3/8 inch (60 mm)
	2" (H20)	3 inch (75 mm)
Shipping Weight:	1/2" (H05)	2.3 lbs./1.0 kg - Turbine Only: 2.1 lbs./0.95 kg
	3/4" (H07)	2.4 lbs./1.1 kg - Turbine Only: 2.2 lbs./1.0 kg
	1" (H10)	3.0 lbs./1.3 kg - Turbine Only: 2.8 lbs./1.2 kg
	1-1/2" (H15)	4.6 lbs./2.1 kg - Turbine Only: 4.4 lbs./2.0 kg
	2" (H20)	6.8 lbs./3.0 kg - Turbine Only: 6.6 lbs./3.0 kg
Calibration Report	Comes standard with G2 Series meters. N.I.S.T. – Certification available.	

ELECTRONIC CHOICES

Local Display, Remote Display & Remote Transmitter Options:	See Electronics Section.
--	--------------------------

APPROVALS





"Look for the blue label!"

Select stainless steel meters with 150# ANSI Flanges when you need a meter that installs in-line quickly. Flange Meters are easily installed and removed with eight bolts. Combine with FLOMEC® Computer Electronics for a complete, accurate, metering system.

For complete part number, see "Meter Number Reference" for this section.

Select Your Meter Size:

1 inch 1-1/2 inch 2 inch



Features and Benefits:

- ✓ Stainless steel meters have excellent chemical compatibility.
- ✓ Modular design allows for use with Output Modules, Sensors and Remote Transmitters.
- ✓ 2 Totals (Batch = Resettable, Cumulative = Non-Resettable); Rate of Flow. Factory calibrated in gallons and litres. Field calibratable. Allows user calibration. Includes non-volatile totals.
- ✓ Precision accuracy meter.
- ✓ Internal parts are simple to replace for easy maintenance.
- ✓ Lithium battery life: 5 years.
- ✓ Accessories easily upgrade meter.

ANSI FLANGE – SPECIFICATIONS

Fitting Type:	150# ANSI Flange	
Housing Material:	316 Stainless Steel	
Meter Sizes Available:	1" 1-1/2" 2"	
Flow Range:	1" (S10F)	5 - 50 GPM (18.9 - 190 LPM)
	1-1/2" (S15F)	10 - 100 GPM (38.0 - 380 LPM)
	2" (S20F)	20 - 200 GPM (76 - 760 LPM)
Accuracy (% of Reading):	Turbine Only	Turbine w/Computer
	1" (S10F)	± 1.5%
	1-1/2" (S15F)	± 1.0%
	2" (S20F)	± 1.0%
Repeatability:	± 0.1%	
Pressure Rating:	Flange Rule	
Operating Temperature Range:	-40° F to +250° F (-40° C to +121° C)	
with Computer:	0° F to +140° F (-18° C to +60° C)	
Typical K-Factor:	1" (S10F)	565 PPG / 149 PPL
	1-1/2" (S15F)	215 PPG / 57 PPL
	2" (S20F)	100 PPG / 26 PPL
Wetted Materials:	Housing:	316 Stainless Steel
	Bearings:	96% Alumina Ceramic
	Shaft:	Tungsten Carbide
	Rotor:	PVDF
	Rings:	316 Stainless Steel
Frequency Range:	1" (S10F)	47 - 470 Hz @ 5 - 50 GPM
	1-1/2" (S15F)	36 - 360 Hz @ 10 - 100 GPM
	2" (S20F)	33 - 330 Hz @ 20 - 200 GPM
Recommended Strainer Size:		
	1" (S10F)	60 mesh (250 micron)
	1-1/2" (S15F)	30 mesh (595 micron)
	2" (S20F)	30 mesh (595 micron)
Maximum Flow:	1" (S10F)	75 GPM (284 LPM)
	1-1/2" (S15F)	150 GPM (568 LPM)
	2" (S20F)	300 GPM (1,136 LPM)
Shipping Weight:	1" (S10F)	7.2 lbs./3.3 kg - Turbine Only: 7.0 lbs./3.2 kg
	1-1/2" (S15F)	11.3 lbs./5.1 kg - Turbine Only: 11.1 lbs./5.0 kg
	2" (S20F)	18.6 lbs./8.4 kg - Turbine Only: 18.4 lbs./8.3 kg
Calibration Report	Comes standard with G2 Series meters. N.I.S.T. – Certification available.	

ELECTRONIC CHOICES

Local Display, Remote Display & Remote Transmitter Options:	See Electronics Section.
--	--------------------------

APPROVALS





"Look for the blue label!"

The FLOMEC® Stainless Steel Meters with Tri-Clover® fittings can be used with food and beverage industries in preprocess applications. Built of stainless steel construction, these meters come in five sizes to fit most every application.

For complete part number, see "Meter Number Reference" for this section.

Select Your Meter Size:

- 1/2 inch Meter with 3/4 inch Fitting
- 3/4 inch Meter with 1 inch Fitting
- 1 inch Meter with 1-1/2 inch Fitting
- 1-1/2 inch Meter with 2 inch Fitting
- 2 inch Meter with 2-1/2 inch Fitting



Features and Benefits:

- ✓ Stainless steel meter with Tri-Clover® fittings.
- ✓ Modular design allows for use with Output Modules, Sensors and Remote Transmitters.
- ✓ 2 Totals (Batch = Resettable, Cumulative = Non-Resettable); Rate of Flow. Factory calibrated in gallons and litres. Field calibratable. Allows user calibration. Includes non-volatile totals.
- ✓ Internal parts are easy to replace.
- ✓ Lithium battery life: 5 years.
- ✓ Accessories easily upgrade meter.

TRI-CLOVER® – SPECIFICATIONS

Fitting Type:	Tri-Clover®				
Housing Material:	316 Stainless Steel				
Meter Sizes Available:	1/2"	3/4"	1"	1-1/2"	2"
Tri-Clover® Fittings Available:	3/4"	1"	1-1/2"	2"	2-1/2"
Flow Range:	1/2" (S05T)	1 - 10 GPM (3.8 - 37.9 LPM)			
	3/4" (S07T)	2 - 20 GPM (7.6 - 75.7 LPM)			
	1" (S10T)	5 - 50 GPM (18.9 - 190 LPM)			
	1-1/2" (S15T)	10 - 100 GPM (38.0 - 380 LPM)			
	2" (S20T)	20 - 200 GPM (76 - 760 LPM)			
Accuracy (% of Reading):	Turbine Only		Turbine w/Computer		
	1/2" (S05T)	± 2.0%	± 1.5%		
	3/4" (S07T)	± 1.5%	± 1.0%		
	1" (S10T)	± 1.5%	± 1.0%		
	1-1/2" (S15T)	± 1.0%	± 0.75%		
	2" (S20T)	± 1.0%	± 0.75%		
Repeatability:	± 0.1%				
Pressure Rating:	Limited by fitting size, clamp size & temp.				
Operating Temperature Range:	-40° F to +250° F (-40° C to +121° C)				
with Computer:	0° F to +140° F (-18° C to +60° C)				
Typical K-Factor:	1/2" (S05T)	2,500 PPG / 660 PPL			
	3/4" (S07T)	1,100 PPG / 291 PPL			
	1" (S10T)	565 PPG / 149 PPL			
	1-1/2" (S15T)	215 PPG / 57 PPL			
	2" (S20T)	100 PPG / 26 PPL			
Wetted Materials:	Housing:	316 Stainless Steel			
	Bearings:	96% Alumina Ceramic			
	Shaft:	Tungsten Carbide			
	Rotor:	PVDF			
	Rings:	316 Stainless Steel			
Frequency Range:	1/2" (S05T)	42 - 420 Hz @ 1 - 10 GPM			
	3/4" (S07)	37 - 370 Hz @ 2 - 20 GPM			
	1" (S10T)	47 - 470 Hz @ 5 - 50 GPM			
	1-1/2" (S15T)	36 - 360 Hz @ 10 - 100 GPM			
	2" (S20T)	33 - 330 Hz @ 20 - 200 GPM			
Recommended Strainer Size:	1/2" (S05T)	60 mesh (250 micron)			
	3/4" (S07T)	60 mesh (250 micron)			
	1" (S10T)	60 mesh (250 micron)			
	1-1/2" (S15T)	30 mesh (595 micron)			
	2" (S20T)	30 mesh (595 micron)			
Maximum Flow:	1/2" (S05T)	15 GPM (56.8 LPM)			
	3/4" (S07T)	30 GPM (113.6 LPM)			
	1" (S10T)	75 GPM (284 LPM)			
	1-1/2" (S15T)	150 GPM (568 LPM)			
	2" (S20T)	300 GPM (1,136 LPM)			
Shipping Weight:	1/2" (S05T)	2.5 lbs./1.0 kg - Turbine Only; 2.3 lbs./1.0 kg			
	3/4" (S07T)	2.9 lbs./1.3 kg - Turbine Only; 2.7 lbs./1.2 kg			
	1" (S10T)	3.2 lbs./1.4 kg - Turbine Only; 3.0 lbs./1.3 kg			
	1-1/2" (S15T)	4.7 lbs./2.1 kg - Turbine Only; 4.5 lbs./2.0 kg			
	2" (S20T)	6.5 lbs./2.9 kg - Turbine Only; 6.3 lbs./2.8 kg			
Calibration Report	Comes standard with G2 Series meters. N.I.S.T. – Certification available.				

ELECTRONIC CHOICES

Local Display, Remote Display & Remote Transmitter Options: See Electronics Section.

APPROVALS





"Look for the blue label!"

A full line of FLOMEC® Industrial Meters are available in a variety of housing materials. Aluminum meters are best suited for petroleum based products. The modular design allows for maximum flexibility in meeting custom applications. Models are available with ISO* or NPT fittings.

* ISO 7 designation is RC

For complete part number, see "Meter Number Reference" for this section.

Select Your Meter Size:

1/2 inch 3/4 inch 1 inch 1-1/2 inch 2 inch



Features and Benefits:

- ✓ Meter is designed for thin fluids < 100 cp.
- ✓ Modular design allows for use with Output Modules, Sensors and Remote Transmitters.
- ✓ 2 Totals (Batch = Resettable, Cumulative = Non-Resettable); Rate of Flow. Factory calibrated in gallons and litres. Field calibratable. Allows user calibration. Includes non-volatile totals.
- ✓ Internal parts are simple to replace for easy maintenance.
- ✓ Lightweight, compact design allows for easy installation.
- ✓ Lithium battery life: 5 years.

ALUMINUM – SPECIFICATIONS

Fitting Type:	NPT or ISO (Female) BSPT*				
Housing Material:	Aluminum				
Meter Sizes Available:	1/2"	3/4"	1"	1-1/2"	2"
Flow Range:	1/2" (A05)	1 - 10 GPM (3.8 - 37.9 LPM)			
	3/4" (A07)	2 - 20 GPM (7.6 - 75.7 LPM)			
	1" (A10)	5 - 50 GPM (18.9 - 190 LPM)			
	1-1/2" (A15)	10 - 100 GPM (38.0 - 380 LPM)			
	2" (A20)	20 - 200 GPM (76 - 760 LPM)			
Accuracy (% of Reading):	Turbine Only		Turbine w/Computer		
	1/2" (A05)	± 2.0%	± 1.5%		
	3/4" (A07)	± 1.5%	± 1.0%		
	1" (A10)	± 1.5%	± 1.0%		
	1-1/2" (A15)	± 1.0%	± 0.75%		
	2" (A20)	± 1.0%	± 0.75%		
Repeatability:	± 0.1%				
Pressure Rating:	300 PSI / 21 BAR				
Operating Temperature Range:	-40° F to +250° F (-40° C to +121° C)				
	with Computer: 0° F to +140° F (-18° C to +60° C)				
Typical K-Factor:	1/2" (A05)	2,500 PPG / 660 PPL			
	3/4" (A07)	1,100 PPG / 291 PPL			
	1" (A10)	565 PPG / 149 PPL			
	1-1/2" (A15)	215 PPG / 57 PPL			
	2" (A20)	100 PPG / 26 PPL			
Wetted Materials:	Housing:	Aluminum			
	Bearings:	96% Alumina Ceramic			
	Shaft:	Tungsten Carbide			
	Rotor:	PVDF			
	Rings:	316 Stainless Steel			
Frequency Range:	1/2" (A05)	42 - 420 Hz @ 1 - 10 GPM			
	3/4" (A07)	37 - 370 Hz @ 2 - 20 GPM			
	1" (A10)	47 - 470 Hz @ 5 - 50 GPM			
	1-1/2" (A15)	36 - 360 Hz @ 10 - 100 GPM			
	2" (A20)	33 - 330 Hz @ 20 - 200 GPM			
Recommended Strainer Size:					
	1/2", 3/4" and 1"	60 mesh (250 micron)			
	1-1/2" and 2"	30 mesh (595 micron)			
Maximum Flow:	1/2" (A05)	15 GPM (56.8 LPM)			
	3/4" (A07)	30 GPM (113.6 LPM)			
	1" (A10)	75 GPM (284 LPM)			
	1-1/2" (A15)	150 GPM (568 LPM)			
	2" (A20)	300 GPM (1,136 LPM)			
Wrench Flat Size:	1/2" (A05)	1-1/16 inch (27 mm)			
	3/4" (A07)	1-5/16 inch (33 mm)			
	1" (A10)	1-5/8 inch (41 mm)			
	1-1/2" (A15)	2-3/8 inch (60 mm)			
	2" (A20)	3 inch (75 mm)			
Shipping Weight:	1/2" (A05)	1.3 lbs./59 kg - Turbine Only: 1.1 lbs./50 kg			
	3/4" (A07)	1.4 lbs./63 kg - Turbine Only: 1.2 lbs./50 kg			
	1" (A10)	1.6 lbs./73 kg - Turbine Only: 1.4 lbs./63 kg			
	1-1/2" (A15)	2.8 lbs./1.3 kg - Turbine Only: 2.6 lbs./1.2 kg			
	2" (A20)	3.9 lbs./1.7 kg - Turbine Only: 3.7 lbs./1.7 kg			
Calibration Report	Comes standard with G2 Series meters. N.I.S.T. – Certification available.				

ELECTRONIC CHOICES

Local Display, Remote Display & Remote Transmitter Options:	See Electronics Section.
--	--------------------------

APPROVALS





"Look for the blue label!"

The G2 Industrial Brass Meter allows another choice for fluid compatibility. The FLOMEC® Brass Meter works well with most water applications. Use with glucose, lacquer thinners and vegetable juices for example.

* ISO 7 designation is RC

For complete part number, see "Meter Number Reference" for this section.

Select Your Meter Size:

1/2 inch 3/4 inch 1 inch 1-1/2 inch 2 inch



Features and Benefits:

- ✓ Meter is designed for thin fluids < 100 cp.
- ✓ Modular design allows for use with Output Modules, Sensors and Remote Transmitters.
- ✓ 2 Totals (Batch = Resettable, Cumulative = Non-Resettable); Rate of Flow. Factory calibrated in gallons and litres. Field calibratable. Allows user calibration. Includes non-volatile totals.
- ✓ Internal parts are simple to replace for easy maintenance.
- ✓ Lithium battery life: 5 years.

BRASS – SPECIFICATIONS

Fitting Type:	NPT or ISO (Female) BSPT*				
Housing Material:	Brass				
Meter Sizes Available:	1/2"	3/4"	1"	1-1/2"	2"
Flow Range:	1/2" (B05)	1 - 10 GPM	(3.8 - 37.9 LPM)		
	3/4" (B07)	2 - 20 GPM	(7.6 - 75.7 LPM)		
	1" (B10)	5 - 50 GPM	(18.9 - 190 LPM)		
	1-1/2" (B15)	10 - 100 GPM	(38.0 - 380 LPM)		
	2" (B20)	20 - 200 GPM	(76 - 760 LPM)		
Accuracy (% of Reading):		Turbine Only	Turbine w/Computer		
	1/2" (B05)	± 2.0%	± 1.5%		
	3/4" (B07)	± 1.5%	± 1.0%		
	1" (B10)	± 1.5%	± 1.0%		
	1-1/2" (B15)	± 1.0%	± 0.75%		
	2" (B20)	± 1.0%	± 0.75%		
Repeatability:	± 0.1%				
Pressure Rating:	300 PSI / 21 BAR				
Operating Temperature Range:	-40° F to +250° F (-40° C to +121° C)				
with Computer:	0° F to +140° F (-18° C to +60° C)				
Typical K-Factor:	1/2" (B05)	2,500 PPG / 660 PPL			
	3/4" (B07)	1,100 PPG / 291 PPL			
	1" (B10)	565 PPG / 149 PPL			
	1-1/2" (B15)	215 PPG / 57 PPL			
	2" (B20)	100 PPG / 26 PPL			
Wetted Materials:	Housing:	Brass			
	Bearings:	96% Alumina Ceramic			
	Shaft:	Tungsten Carbide			
	Rotor:	PVDF			
	Rings:	316 Stainless Steel			
Frequency Range:	1/2" (B05)	42 - 420 Hz @ 1 - 10 GPM			
	3/4" (B07)	37 - 370 Hz @ 2 - 20 GPM			
	1" (B10)	47 - 470 Hz @ 5 - 50 GPM			
	1-1/2" (B15)	36 - 360 Hz @ 10 - 100 GPM			
	2" (B20)	33 - 330 Hz @ 20 - 200 GPM			
Recommended Strainer Size:	1/2" (B05)	60 mesh (250 micron)			
	3/4" (B07)	60 mesh (250 micron)			
	1" (B10)	60 mesh (250 micron)			
	1-1/2" (B15)	30 mesh (595 micron)			
	2" (B20)	30 mesh (595 micron)			
Maximum Flow:	1/2" (B05)	15 GPM (56.8 LPM)			
	3/4" (B07)	30 GPM (113.6 LPM)			
	1" (B10)	75 GPM (284 LPM)			
	1-1/2" (B15)	150 GPM (568 LPM)			
	2" (B20)	300 GPM (1,136 LPM)			
Wrench Flat Size:	1/2" (B05)	1-1/16 inch (27 mm)			
	3/4" (B07)	1-5/16 inch (33 mm)			
	1" (B10)	1-5/8 inch (41 mm)			
	1-1/2" (B15)	2-3/8 inch (60 mm)			
	2" (B20)	3 inch (75 mm)			
Shipping Weight:	1/2" (B05)	2.4 lbs./1.0 kg - Turbine Only; 2.2 lbs./1.0 kg			
	3/4" (B07)	2.6 lbs./1.1 kg - Turbine Only; 2.4 lbs./1.0 kg			
	1" (B10)	3.1 lbs./1.4 kg - Turbine Only; 2.9 lbs./1.3 kg			
	1-1/2" (B15)	3.1 lbs./1.4 kg - Turbine Only; 2.9 lbs./1.3 kg			
	2" (B20)	10.0 lbs./4.5 kg - Turbine Only; 9.8 lbs./4.4 kg			
Calibration Report	Comes standard with G2 Series meters. N.I.S.T. – Certification available.				

ELECTRONIC CHOICES

Local Display, Remote Display & Remote Transmitter Options:	See Electronics Section.
--	--------------------------

APPROVALS





"Look for the blue label!"

Looking for a turbine meter that can handle aggressive chemicals? Look at the PVDF Meter for a housing material that resists abrasion and has great chemical compatibility.

Use PVDF Meters with harsh chemicals: Bleach, Ferric Chloride, Phenol, Sulfuric Acid or Phosphoric Acid.

For complete part number, see "Meter Number Reference" for this section.

Select Your Meter Size:

1/2 inch

1 inch



Features and Benefits:

- ✓ Meter is designed for thin fluids < 100 cp.
- ✓ Lithium battery life: 5 years.
- ✓ Available with Local Display or Remote Transmitter.
- ✓ 2 Totals (Batch = Resettable, Cumulative = Non-Resettable); Rate of Flow. Factory calibrated in gallons and litres. Field calibratable. Allows user calibration. Includes non-volatile totals.
- ✓ Accessories easily upgrade meter.
- ✓ One field replaceable internal part making maintenance easy.

PVDF – SPECIFICATIONS

Fitting Type:	NPT or ISO (Female) BSPT*	
Housing Material:	PVDF	
Meter Sizes Available:	1/2" and 1"	
Flow Range:	1/2" (P05)	1.2 - 12 GPM (4.54 - 45.42 LPM)
	1" (P10)	5 - 50 GPM (18.9 - 190 LPM)
Accuracy (% of Reading):	Turbine Only	Turbine w/Computer
	1/2" (P05)	± 2.0%
	1" (P10)	± 1.5%
Repeatability:	± 0.3%	
Pressure Rating:	100 PSI / 6.9 BAR	
Operating Temperature Range:	-20° F to +180° F (-28° C to +82° C)	
with Computer:	0° F to +140° F (-18° C to +60° C)	
Maximum Storage Temperature:	-40° F to +250° F (-40° C to +121° C)	
Typical K-Factor:	1/2" (P05)	2,400 PPG / 634 PPL
	1" (P10)	540 PPG / 143 PPL
Wetted Materials:	Housing:	PVDF (15% Carbon Fiber Filled)
	Bearings:	Ceramic - 98% Alumina
	Shaft:	Ceramic - 98% Alumina
	Rotor:	PVDF
	Rings:	Fluorocarbon
Optional O-Ring:	PTFE	
Frequency Range:	1/2" (P05)	48 - 480 Hz @ 1.2 - 12 GPM
	1" (P10)	45 - 450 Hz @ 5 - 50 GPM
Recommended Strainer Size:		
	1/2" (P05)	60 mesh (250 micron)
	1" (P10)	30 mesh (595 micron)
Maximum Flow:	1/2" (P05)	15 GPM (56.8 LPM)
	1" (P10)	75 GPM (284 LPM)
Shipping Weight:	1/2" (P05)	1.3 lbs./0.6 kg - Turbine Only: 1.1 lbs./54 kg
	1" (P10)	1.9 lbs./0.8 kg - Turbine Only: 1.7 lbs./77 kg
Calibration Report	Comes standard with G2 Series meters. N.I.S.T. – Certification available.	

ELECTRONIC CHOICES

Local Display, Remote Display & Remote Transmitter Options: See Electronics Section.

APPROVALS



* ISO 7 designation is RC

FM Approved Remote Kit Assembly (Part No. 113275-1)



*FM Approved
Remote Kit
Assembly Installed*



The Factory Mutual (FM) Approved Remote Kit Assembly modifies FLOMEC® Electronic Digital Meters for applications in specialized situations including remote indication and high or low fluid temperature metering applications. This kit provides the versatility of panel mounting of the LCD readout up to 100 ft. (30 m) from the turbine.

This kit consists of a sensor module, a dust cover assembly and 10 ft. of cable. Requires a complete meter with display.

Features and Benefits:

- ✓ Maintains FM Approval.
- ✓ Accommodates fluid temperatures from -40° F to +250° F (-40° C to +121° C) depending on meter.
- ✓ This kit can upgrade an existing FLOMEC® meter or can be purchased with a new meter.
- ✓ Battery powered from meter; no additional power required.

SPECIFICATIONS

Magnetic Pickup:	1.3 k Ohm, 90 mH
Signal Type:	Sine Wave
Voltage:	Peak to Peak 10 mV to 500 mV
Frequency:	11 to 750 Hz
Cable:	10 ft. (3 m), 2-conductor shielded, Belden #9501

APPROVALS



Standard Remote Kit Assembly (Part No. 113265-1)



*Standard Remote Kit
Assembly Installed*



The Standard Remote Kit Assembly modifies FLOMEC® Electronic Digital Meters for applications in specialized situations including remote indication and high or low fluid temperature metering applications. This kit also provides the versatility of panel mounting of the LCD readout up to 300 ft. (90 m) from the turbine housing and sensor.

This kit consists of a sensor module, a dust cover assembly and 10 ft. (3 m) of cable. Requires a complete meter with display.

Features and Benefits:

- ✓ Accommodates fluid temperatures from -40° F to +250° F (-40° C to +121° C) depending on meter.
- ✓ This kit can upgrade an existing FLOMEC® meter or can be purchased with a new meter.
- ✓ Battery powered from meter; no additional power required.

SPECIFICATIONS

Magnetic Pickup:	1.5 k Ohm, 700 mH
Signal Type:	Sine Wave
Voltage:	Peak to Peak 33 mV to 825 mV
Frequency:	11 to 750 Hz
Cable:	10 ft. (3 m), 2-conductor shielded, Belden #1266A or #8451



Conditioned Signal Output Module

(Part No. 113435-1)



Conditioned Signal Output Module Installed

This module provides an unscaled, amplified, digital signal capable of transmission up to 5,000 ft. (1.5 km). There is no need for additional signal conditioning or amplification devices to achieve the desired digital signal. Use on G2 "Turbine Only" model.

The module is factory assembled for Open Collector signal output and operates from an external 9 to 35 volt power source. By changing terminal connections and adding a battery kit, the module provides a self-powered 6-volt Square Wave signal.

Features and Benefits:

- ✓ Provides two digital signals: Open Collector or 6-volt Square Wave and can communicate with most process control devices.
- ✓ Operating temperature range of -40° F to +212° F (-40° C to +100° C).
- ✓ Can be externally powered or battery powered.

SPECIFICATIONS

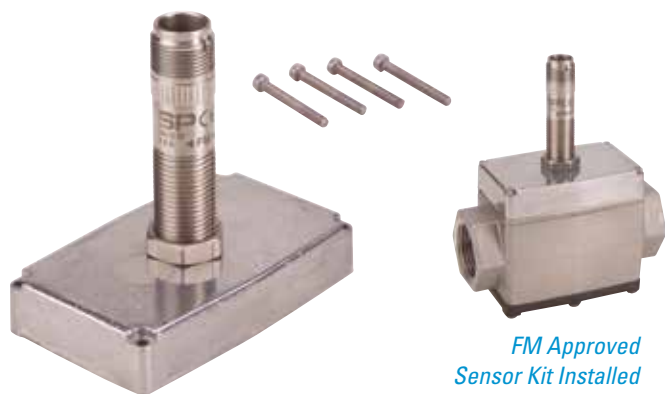
Connector:	Hubble PG7
Signal Type:	Open Collector (NPN)
Power:	External 9 to 35 VDC, approximately 1 mA
Connection:	Three wire
Frequency:	0 to 750 Hz
Cable:	10 ft. (3 m) Belden #9363

APPROVALS



FM Approved Sensor Kit

(Part No. 120077-01)



FM Approved Sensor Kit Installed

The Factory Mutual (FM) Approved Sensor is designed for use with any G2 Turbine Meter when rotor pulse data is required and the meter is located within a hazardous location. The output signal is compatible with existing FLOMEC® remote electronics. Use on G2 "Turbine Only" model.

This kit includes pickup, screws, coverplate and jam nut. Connection Kit sold separately.

Features and Benefits:

- ✓ Mounts to any G2 meter housing via the coverplate.
- ✓ Ideal for indoor or outdoor applications.
- ✓ Factory Mutual (Intrinsic Safe) Class 1, Div. 1, Groups ABCDEFG.

SPECIFICATIONS

Signal Type:	Open Collector (NPN)
Power Source:	8 to 30 VDC
Supply Current:	≤ 15 mA
Frequency:	5 to 10k Hz
Cable:	None provided - 3 conductor required for use
Temperature:	Sensor is capable of operating in the range of -40° F to +248° F (-40° C to +120° C). For Class I, II, III, Division 1: Group ABCDEFG and CSA: Class 1, Div. 1 Group ABCD, the following temperature codes apply: T6 +185° F (+85° C) at +149° F (+65° C) Ambient Temperature T5 +212° F (+100° C) at +186° F (+85° C) Ambient Temperature

APPROVALS



4-20 mA Module

(Part No. 125100-1)



4-20 mA
Module
Installed

Combine the 4-20 mA Module with an Industrial Grade Turbine and Computer Electronics to provide an industry standard analog signal for connection to a wide variety of chart recorders, display equipment and process control equipment.

This module outputs an analog signal which is directly proportional to the frequency of the digital output. With some simple adjustments, you can scale the module to represent whatever range is desired. Kit comes with circuit, assembly, enclosure and screws.

Features and Benefits:

- ✓ Communicates with most analog process control devices.
- ✓ Operating temperature range of +14° F to +140° F (-10° C to +60° C).
- ✓ Module installs on all turbine sizes.
- ✓ Provides external power to computer electronics.

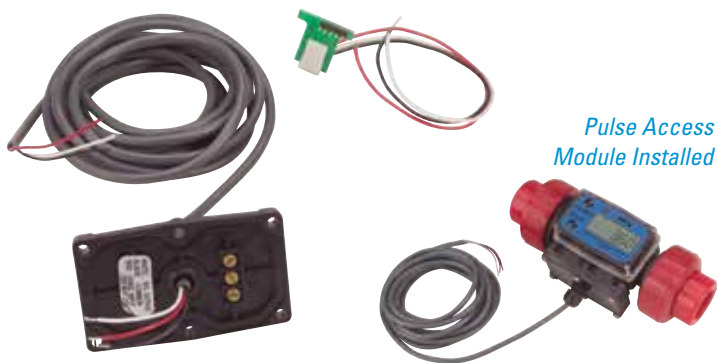
SPECIFICATIONS

Signal Type:	Analog
Power:	Loop Powered
Voltage:	7 to 30 VDC
Strain Relief:	Hubble PG7
Cable:	10 ft. (3 m), Belden #9363



Pulse Access Module

(Part No. 125060-1)



Pulse Access
Module Installed

The Pulse Access Module provides an unscaled, digital signal from your FLOMEC® meter by accessing circuitry from the on-board computer readout.

This kit comes complete, ready to install, with a circuit assembly, coverplate assembly and 10 ft. of cable.

The Pulse Access Module requires both a FLOMEC Turbine and an 09 Computer Electronics which are sold separately.

Features and Benefits:

- ✓ Provides a digital Open Collector signal.
- ✓ Operating temperature range of +14° F to +140° F (-10° C to +60° C).
- ✓ Can transmit signal up to 5,000 ft. (1.5 km).
- ✓ Communicates with most digital process control devices and its easy to install.

SPECIFICATIONS

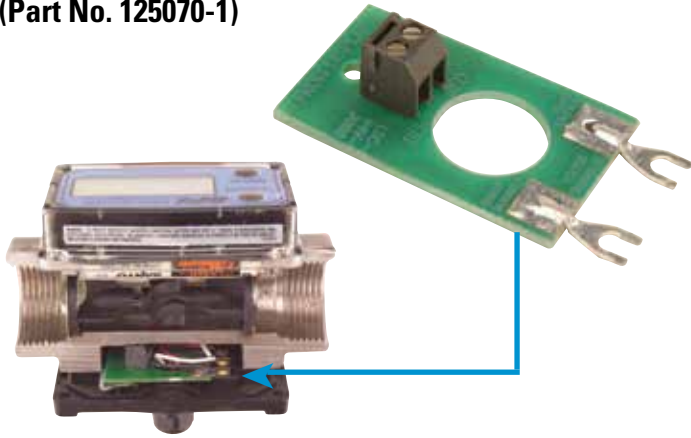
Signal Type:	Open Collector (NPN)
Voltage:	0 to 60 VDC
Frequency:	0 to 750 Hz
Strain Relief:	Hubble PG7
Cable:	10 ft. (3 m) Belden #9363

APPROVALS



External Power Module

(Part No. 125070-1)



Combine the External Power Module and the Pulse Access Module to provide external power capabilities to a FLOMEC® Electronic Digital Meter.

The module is designed to provide regulated power to the Computer Electronics. The batteries then become a backup or auxiliary power source.

If desired, a pulse output may be accessed. The unscaled, digital signal is capable of transmission up to 5,000 ft. (1.5 km).

Features and Benefits:

- ✓ Internal batteries become a backup or auxiliary power source.
- ✓ Operating temperature range of +14° F to +140° F (-10° C to +60° C).
- ✓ Input power is 7 to 30 volt external power.

SPECIFICATIONS

Voltage:	7 to 30 VDC @ 1 mA
-----------------	--------------------

APPROVALS

CE

The Conduit Adapter allows you to enclose wiring from the magnetic pickup. The kit includes a turbine meter cover with a 1 inch male NPT conduit fitting and screws for plastic or metal installation.

*Conduit Adapter
Kit Installed*



Conduit Adapter Kit (Part No. 113437-01)



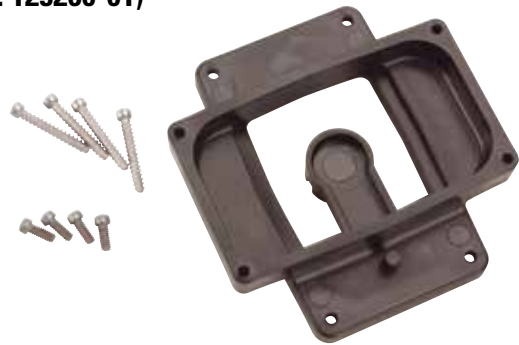
90° Display Adapter Kit allows for horizontal readout of vertical meters. Includes adapter, O-ring, screws and foam spacers required for installation.

Can be ordered with a meter.
Specify -19 option with meter order.

*Kit Shown Installed
on PVDF Meter*



90° Display Adapter Kit (Part No. 125260-01)

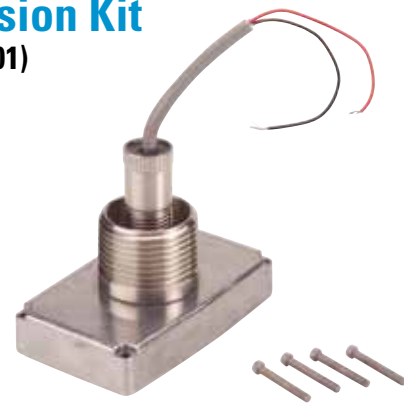


This new kit combines the Conduit Adapter with a magnetic pickup to allow easy installation of the 510 Series Displays or Transmitters to a G2 Meter.

*510 Conversion Kit
Installed*



510 Conversion Kit (Part No. 11344001)

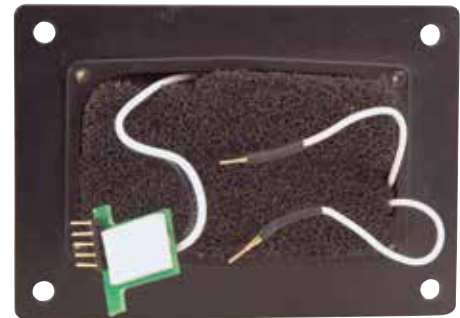


Used with the Remote Kit, this part replaces the dust cover that houses the electronic display. This module provides a digital, open collector (NPN) output signal. Use this combination to communicate to a PLC or other piece of electronic equipment.

Pulse Access Dust Cover Installed



Pulse Access Dust Cover (Part No. 125080-1)

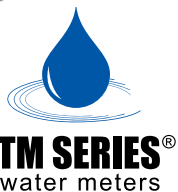


The Electronics Programmer is a system composed of a small USB interface unit, a USB cable, and a software program. This kit is perfect for reconfiguring multiple Electronics for the first time or when changing the configuration over the life of the meter.

Used with your PC, it allows quick, convenient on-screen setting (and reading) of setup options and calibration data from many FLOMEC® Electronic Digital Meters (EDMs).

Electronics Programmer (Part No. 113800-06)





TM SERIES WATER METERS

TM Water Meters are accurate, economical and designed to last. Choose TM Water Meters for water processing and irrigation applications. The TM Series Water Meters meet Schedule 80 PVC specifications and come standard with the low-profile display. Meters come in seven sizes with three fitting types, offering flowrates from 1 to 800 gallons per minute.



Product Identifier

TM = Water Meter

Turbine Size

- 050** = Schedule 80 PVC, 1/2 inch
- 075** = Schedule 80 PVC, 3/4 inch
- 100** = Schedule 80 PVC, 1 inch
- 150** = Schedule 80 PVC, 1-1/2 inch
- 200** = Schedule 80 PVC, 2 inch
- 300** = Schedule 80 PVC, 3 inch
- 400** = Schedule 80 PVC, 4 inch

See Reference section for meter dimensions.

Fitting Type

- Blank** = Spigot (Pipe) End
- N** = NPT (Female)
- B** = BSPP (Female)
- F** = 150# ANSI Flange (3 in. and 4 in. meters only)

Electronic Choices

- Blank** = Local Display
- P** = Pulse Output
- GA** = 4-20 mA Output, No Display (3 in. and 4 in. meters only)
- GG** = Pulse Output, With Display (3 in. and 4 in. meters only)
- GX** = 4-20 mA Output, With Display (3 in. and 4 in. meters only)
- SC** = Scaled Pulse Output (3 in. and 4 in. meters only)

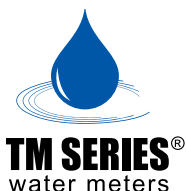
TM + **300** + **-N** + **-GA** ← (Sample Model Number)

Model TM150-N



"Look for the blue label!"

TM Series Meters are designed for use in water applications. The five smallest sizes are shown here. (For 3" and 4" meters, see next page.) Choose either Spigot (pipe end) or NPT and BSPP fittings.



For complete part number, see "Meter Number Reference" for this section.

ACCURACY: ±3.0% READING

Features and Benefits:

- ✓ Easy to install.
- ✓ Displays in gallons, litres and cubic feet.
- ✓ Indicates Batch, Cumulative Totals and Rate of Flow.
- ✓ Available in NPT, BSPP or Spigot fittings.
- ✓ Meets Schedule 80 specifications.
- ✓ Lithium battery life: 5 years.
- ✓ Non-volatile totals means amounts are retained when batteries are replaced or power is lost.

Applications:

- OEM water treatment equipment / skids
- Small waste water treatment equipment
- Sub-metering of facility water usage
- Water based cooling systems

TM SERIES – SPECIFICATIONS

Design Type:	Turbine	
Fitting Size:	1/2" 3/4" 1" 1-1/2" 2"	
Fitting Type:	Schedule 80 Spigot (Pipe) End, NPT (Female) or *BSPP (Female)	
Flow Range:		
1/2" - TM050:	1 - 10 GPM (3.8 - 38 LPM)	
3/4" - TM075:	2 - 20 GPM (7.6 - 76 LPM)	
1" - TM100:	5 - 50 GPM (19 - 190 LPM)	
1-1/2" - TM150:	10 - 100 GPM (38 - 380 LPM)	
2" - TM200:	20 - 200 GPM (76 - 760 LPM)	
Accuracy:	± 3.0% of reading	
Pressure Rating:	225 PSI / 15.3 BAR at 73° F (23° C)	
BSP:	150 PSI / 10.3 BAR at 73° F (23° C)	
Operating Temperature:	+32° F to +140° F (0° to +60° C)	
Typical K-Factor:		
1/2" - TM050:	2,500 PPG / 660 PPL	
3/4" - TM075:	1,100 PPG / 291 PPL	
1" - TM100:	565 PPG / 149 PPL	
1-1/2" - TM150:	215 PPG / 57 PPL	
2" - TM200:	100 PPG / 26 PPL	
Battery Life:	5 Years	
Wetted Materials:		
Housing:	PVC	
Bearings:	Ceramic	
Shaft:	Tungsten Carbide	
Rotor:	PVDF	
Rings:	316 Stainless Steel	
Shipping Weight (approx.):	Spigot	NPT / BSP
1/2" - TM050:	.38 lbs. (.172 kg)	.55 lbs. (.249 kg)
3/4" - TM075:	.43 lbs. (.304 kg)	.67 lbs. (.304 kg)
1" - TM100:	.49 lbs. (.222 kg)	.49 lbs. (.381 kg)
1-1/2" - TM150:	.66 lbs. (.299 kg)	1.38 lbs. (.626 kg)
2" - TM200:	.78 lbs. (.354 kg)	1.78 lbs. (.807 kg)
Display Features:	Rate of Flow, Batch and Cumulative Totals, Field Calibration available.	
Pulse Output (-P Elec. Choice):	Open Collector (NPN)	
Calibration Report	Comes standard with -P (Pulse out) TM Models. N.I.S.T. – Certification available.	

APPROVALS



* BSP available in 1", 1 1/2" and 2" only.

Model TM200



"Look for the blue label!"



TM SERIES 3" & 4" Water Meters

TM SERIES

Model - TM300-F



"Look for the blue label!"

TM Series Meters are designed for use in water applications. The 3" and 4" models are shown here. Choose Spigot (pipe end), NPT, BSP or 150# ANSI Flange fittings.



For complete part number, see "Meter Number Reference" for this section.

ACCURACY: ±3.0% READING

Features and Benefits:

- ✓ Available in Spigot, NPT, BSPP and Flange fittings.
- ✓ Displays in gallons, litres and cubic feet.
- ✓ Indicates Batch, Cumulative Totals and Rate of Flow.
- ✓ One-piece field replaceable turbine assembly.
- ✓ Spigot models may be cut to length.
- ✓ Meets Schedule 80 specifications.
- ✓ Lithium battery life: 5 years.
- ✓ Non-volatile totals means amounts are retained when batteries are replaced or power is lost.

Applications:

- OEM water treatment equipment / skids
- Cooling towers
- Sub-metering of facility water usage
- Irrigation
- Waste water treatment equipment
- Chemical feed systems

TM SERIES – SPECIFICATIONS

Design Type:	Turbine		
Fitting Size:	3" 4"		
Fitting Type:	Schedule 80 Spigot (Pipe) End, NPT (Female), 150# ANSI Flange or DIN 100 Flange		
Flow Range:			
3" - TM 300:	40 - 400 GPM (151 - 1514 LPM)		
Extended Range:	30 - 600 GPM (131 - 2271 LPM)		
4" - TM400:	60 - 600 GPM (227 - 2271 LPM)		
Extended Range:	40 - 800 GPM (151 - 3028 LPM)		
Accuracy:	± 3.0% of reading		
Pressure Rating:	225 PSI / 15.3 BAR at 73° F (23° C)		
DIN:	135 PSI / 9.1 BAR at 73° F (23° C)		
For CE Applications:	135 PSI / 9.1 BAR at 73° F (23° C)		
Operating Temperature:	+32° F to +140° F (0° to +60° C)		
Typical K-Factor:			
3" - TM 300:	43 PPG / 11 PPL		
4" - TM400:	17 PPG / 4.5 PPL		
Battery Life:	5 Years		
Wetted Materials:			
Housing:	PVC		
Bearings:	PEEK		
Shaft & Thrust Washers:	Stainless Steel		
Rotor & Nose Cone:	Acetal		
Signal Generator:	Ferrite		
Shipping Weight (approx.):	Spigot	NPT	Flange
3" - TM300:	2.4 lbs. (1.09 kg)	3.9 lbs. (1.77 kg)	5.8 lbs. (2.63 kg)
4" - TM400:	3.7 lbs. (1.68 kg)	6.1 lbs. (2.77 kg)	9.2 lbs. (4.17 kg)
Display Features:	Rate of Flow, Batch and Cumulative Totals, Field Calibration available.		
Pulse Output (-P Elec. Choice):	Open Collector (NPN)		
Calibration Report	Comes standard with -P (Pulse out) TM Models. N.I.S.T. – Certification available.		

ELECTRONIC CHOICES

GG, GX, GA or SC: See Electronics Section.

APPROVALS



NPT Model - TM400-N-GX



"Look for the blue label!"

Spigot Model - TM400



NPT Model - TM300-N





"Look for the silver label!"



"Look for the silver label!"

A1 SERIES COMMERCIAL GRADE METERS

Commercial Grade Meters are designed as self-contained, battery powered units. These indicating meters come in Aluminum or Nylon only. A1 Meters are not field serviceable like the popular G2 Series Meters. For flowmeters with advanced features and additional housing materials, refer to the G Series, G2 Series, OM Series or TM Series sections in this catalog.

1) Select Your Turbine



Aluminum



Nylon



2) Select Your Electronic Choice

For further details see the Electronics Section.



"Look for the silver label!"

09 Computer



XX No Computer



3) Select Your Module



Standard Remote Kit



FM Approved Remote Kit



Conditioned Signal Output Module



4) Do You Require Any Accessories?



Display Adapter Kit



Electronics Programmer

Product Identifier

A1 = Commercial Grade Electronic Digital Meter

Electronic Choice

- 09** = 2 Totals (1 Resettable, 1 Cumulative), Factory Calibration in Gallons and Litres, User Configuration and Rate of Flow
- XX** = No Computer

Calibration

- GM** = Gallons / Minute
- LM** = Litres / Minute
- XX** = No Computer

Turbine Material & Size

- A025** = Aluminum – Low Flow
- A100** = Aluminum – 1 inch
- A200** = Aluminum – 2 inch
- N025** = Nylon – Low Flow
- N100** = Nylon – 1 inch
- X###** = No Turbine*

See Reference section for meter dimensions.

Fitting Type

- N** = NPT (Female)
- I** = ISO (Female) BSPT
- B** = BSPP (Female) - available on A025 and A100 turbines only
- X** = No Turbine

Packaging

- A1** = Standard Low Flow – 1 inch
- A2** = Standard – 2 inch
- B1** = Low Flow – 1 inch Turbine Only
- B2** = 2 inch Turbine Only
- B3** = Computer Only
- C1** = Generic Low Flow – 1 inch
- C2** = Generic – 2 inch
- C3** = Generic Computer Only

A1 + **09** + **LM** + **N100** + **N** + **A1** ← (Sample Model Number)

* When ordering Computer Assembly Only, specify Turbine Housing size.

* ISO 7 designation is RC

Aluminum

FLOMEC® Commercial Grade Meters are identified by an A1 prefix. Commercial Grade Meters are packaged as a self-contained unit. Select this meter when you need an accurate, basic meter. GPI Commercial Grade Meters come in Aluminum or Nylon housing material.

Choose one of three sizes of Aluminum meters for petroleum products. Use the Nylon meters for water or non-aggressive chemicals.



"Look for the silver label!"

Nylon



For complete part number, see "Meter Number Reference" for this section.

ACCURACY: ±1.5% READING
(On models A100, A200 and N100)

Select Your Fitting Size:

Aluminum

Low Flow 1 inch 2 inch

Nylon

Low Flow 1 inch

Features and Benefits:

- ✓ Unique package combines Turbine and LCD into a self-contained, compact, economical meter.
- ✓ Local Display Computer features: 2 Totals (1 Resettable, 1 Cumulative); Factory Calibration in gallons and litres; User Configuration and Rate of Flow.
- ✓ Output capabilities available to communicate with process control equipment.
- ✓ Lightweight, compact design allows for easy installation.
- ✓ Lithium battery life: 5 years.

APPROVALS



NEMA
4



IP65

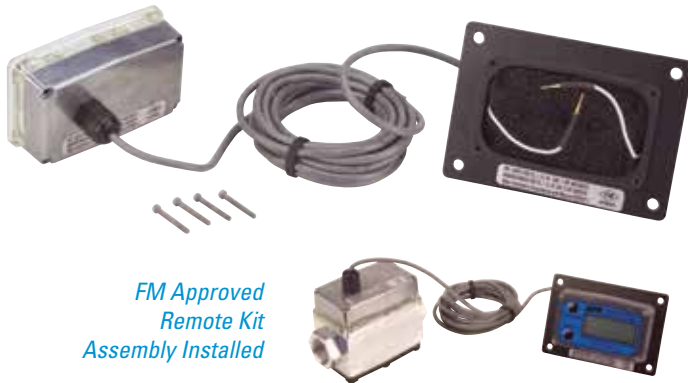
IECEx

	ALUMINUM			NYLON	
	A025 (Low Flow)	A100 (1 inch)	A200 (2 inch)	N025 (Low Flow)	N100 (1 inch)
Design Type:	Paddlewheel	Turbine	Turbine	Paddlewheel	Turbine
Housing Material:	Aluminum	Aluminum	Aluminum	Nylon	Nylon
Fitting Size:	1 inch	1 inch	2 inch	1 inch	1 inch
Fitting Type:	NPT, ISO [◆] or BSPP(female)	NPT, ISO [◆] or BSPP(female)	NPT or ISO [◆] (female)	NPT or ISO [◆] (female)	NPT or ISO [◆] (female)
Flow Range (GPM):	0.3 - 3 GPM	3 - 50 GPM	30 - 300 GPM	0.3 - 3 GPM	3 - 50 GPM
Flow Range (LPM):	1 - 11 LPM	11 - 190 LPM	114 - 1,135 LPM	1 - 11 LPM	11 - 190 LPM
Accuracy:	Application Dependent [*]	± 1.5% of reading	± 1.5% of reading	Application Dependent [*]	± 1.5% of reading
Repeatability:	± 1%	± 0.2%	± 0.2%	± 1%	± 0.2%
Pressure Rating:	300 PSI / 21 BAR	300 PSI / 21 BAR	300 PSI / 21 BAR	150 PSI / 10.2 BAR	150 PSI / 10.2 BAR
Operating Temperature Range:	-40° F to +250° F (-40° C to +121° C)	-40° F to +250° F (-40° C to +121° C)	-40° F to +250° F (-40° C to +121° C)	-40° F to +250° F (-40° C to +121° C)	-40° F to +250° F (-40° C to +121° C)
with Computer:	0° F to +140° F (-18° C to +60° C)	0° F to +140° F (-18° C to +60° C)	0° F to +140° F (-18° C to +60° C)	0° F to +140° F (-18° C to +60° C)	0° F to +140° F (-18° C to +60° C)
Wetted Material - Housing:	Aluminum	Aluminum	Aluminum	Nylon	Nylon
Bearings:	Ceramic	Ceramic	Ceramic	Ceramic	Ceramic
Shaft:	Tungsten Carbide	Tungsten Carbide	Tungsten Carbide	Tungsten Carbide	Tungsten Carbide
Rotor:	Nylon	Nylon	Nylon	Nylon	Nylon
Signal Generators:	Ferrite	Ferrite	Ferrite	Ferrite	Ferrite
Rings:	316 Stainless Steel	316 Stainless Steel	316 Stainless Steel	316 Stainless Steel	316 Stainless Steel
Typical K-Factor:	2200 PPG / 581 PPL	730 PPG / 193 PPL	72 PPG / 19 PPL	2200 PPG / 581 PPL	730 PPG / 193 PPL
Frequency Range:	11 - 110 Hz @ 0.3 - 3 GPM	36.5 - 608.3 Hz @ 3 - 50 GPM	36 - 360 Hz @ 30 - 300 GPM	11 - 110 Hz @ 0.3 - 3 GPM	36.5 - 608.3 Hz @ 3 - 50 GPM
Recommended Strainer Size:	55 mesh	28 mesh	28 mesh	55 mesh	28 mesh
Shipping Weight:	1.35 lbs. (0.61 kg)	1.35 lbs. (0.61 kg)	3.0 lbs. (1.36 kg)	1.0 lbs. (0.5 kg)	1.0 lbs. (0.5 kg)
Local Display:	09 Computer (See page 63)	09 Computer (See page 63)	09 Computer (See page 63)	09 Computer (See page 63)	09 Computer (See page 63)
Calibration Report	Comes standard with A1 Series Meters. N.I.S.T. – Certification available.				

* Accuracy can vary up to ± 5% depending on installation and fluid type.
Field Calibration is recommended for best accuracy.

◆ ISO 7 Designation is RC.

FM Approved Remote Kit Assembly (Part No. 113275-1)



*FM Approved
Remote Kit
Assembly Installed*

The Factory Mutual (FM) Approved Remote Kit Assembly modifies FLOMEC® Electronic Digital Meters for applications in specialized situations including remote indication and high or low fluid temperature metering applications. This kit provides the versatility of panel mounting of the LCD readout up to 100 ft. (30 m) from the turbine.

This kit consists of a sensor module, a dust cover assembly and 10 ft. (3 m) of cable; it also requires a 09 Computer.

Features and Benefits:

- ✓ Maintains FM Approval.
- ✓ Accommodates fluid temperatures from -40° F to +250° F (-40° C to +121° C).
- ✓ This kit can upgrade an existing FLOMEC® meter or can be purchased with a new meter.
- ✓ Use this module with GPI Industrial or Commercial Grade Electronic Digital Meters.

SPECIFICATIONS

Magnetic Pickup:	1.3 k Ohm, 90 mH
Signal Type:	Sine Wave
Voltage:	Peak to Peak 10 mV to 500 mV
Frequency:	11 to 750 Hz
Cable:	10 ft. (3 m), 2-conductor shielded, Belden #9501

APPROVALS



Standard Remote Kit Assembly (Part No. 113265-1)



*Standard Remote Kit
Assembly Installed*

The Standard Remote Kit Assembly modifies FLOMEC® Electronic Digital Meters for applications in specialized situations including remote indication and high or low fluid temperature metering applications. This kit also provides the versatility of panel mounting of the LCD readout up to 300 ft. (90 m) from the turbine housing and sensor.

This kit consists of a sensor module, a dust cover assembly and 10 ft. (3 m) of cable; it also requires a 09 Computer.

Do not use on A1 2-inch meter. Order 113275-1.

Features and Benefits:

- ✓ Accommodates fluid temperatures from -40° F to +250° F (-40° C to +121° C).
- ✓ This kit can upgrade an existing FLOMEC® meter or can be purchased with a new meter.
- ✓ Battery powered from meter; no additional power required.

SPECIFICATIONS

Magnetic Pickup:	1.5 k Ohm, 700 mH
Signal Type:	Sine Wave
Voltage:	Peak to Peak 33 mV to 825 mV
Frequency:	11 to 750 Hz
Cable:	10 ft. (3 m), 2-conductor shielded, Belden #1266A or #8451



Features and Benefits:

- ✓ Provides two digital signals: Open Collector or 6-volt Square Wave and can communicate with most process control devices.
- ✓ Operating temperature range of -40° F to +212° F (-40° C to +100° C).
- ✓ Can be externally powered or battery powered.

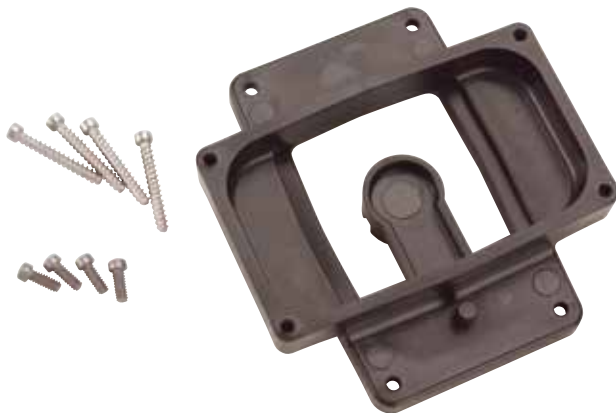
SPECIFICATIONS

Connector:	Hubble PG7
Signal Type:	Open Collector (NPN)
Power:	External 9 to 35 VDC, approximately 1 mA
Connection:	Three wire
Frequency:	0 to 750 Hz
Cable:	10 ft. (3 m) Belden #9363

APPROVALS**Conditioned Signal Output Module**
(Part No. 113435-1)*Conditioned Signal Output Module Installed*

This module provides an unscaled, amplified, digital signal capable of transmission up to 5,000 ft. (1.5 km). There is no need for additional signal conditioning or amplification devices to achieve the desired digital signal. Use on G2 "Turbine Only" model.

The module is factory assembled for Open Collector signal output and operates from an external 9 to 35 volt power source. By changing terminal connections and adding a battery kit, the module provides a self-powered 6-volt Square Wave signal.

90° Display Adapter Kit
(Part No. 125260-01)

90° Display Adapter Kit allows for horizontal readout of vertical meters. Includes adapter, O-ring, screws and foam spacers required for installation.

*Kit Shown Installed on PVDF Meter***GPI Electronics Programmer**
(Part No. 113800-06)

The GPI Electronics Programmer is a system composed of a small USB interface unit, a USB cable, and a software program. This kit is perfect for reconfiguring multiple GPI Electronics for the first time or when changing the configuration over the life of the meter.

Used with your PC, it allows quick, convenient on-screen setting (and reading) of setup options and calibration data from many GPI Electronic Digital Meters (EDMs).



"Look for the red label!"



ECONOMY ELECTRONIC DIGITAL METERS

A variety of GPI® economy meters are available to meet specific applications. These meters are great for monitoring and indication. They provide lower accuracy than our other meters, but are an economical choice in many applications. Unlike the popular G2 Series Meters, the economy meters are not field serviceable.



Model No.
LM50PN



Model No.
LM51DN



Model No.
LM50M

Choose from one of the GPI® economy positive displacement meters. These compact meters are perfect for metering engine oils or transmission fluids (maximum viscosity 1,000 cp). The LM50M Mechanical Meter is suitable for hazardous locations.

Choose the LM50PN when Pulse Out without Display meets your application. The LM51DN model includes an easy-to-read display. All meters are designed with oval rotors for optimum accuracy.

LM50PN – SPECIFICATIONS

Construction:	Aluminum
Wetted Components:	Acetal, Aluminum, Nitril and Steel
Connections:	1/2 inch NPT
K-Factor:	424 PPG / 112 PPL
Flow Range:	0.26 - 7.8 GPM (1 - 30 LPM) @ 5 - 1,000 cp
Accuracy:	± 0.5% of reading
Max. Working Pressure:	1,000 PSI / 69 BAR
Operating Temperature:	+23° F to +131° F (-5° C to +55° C)
Model Numbers:	LM50PB (Lube Meter 1/2" BSPT) LM50PN (Lube Meter 1/2" NPT)

LM51DN – SPECIFICATIONS

Construction:	Aluminum
Wetted Components:	Aluminum, Stainless Steel, Alnico, Buna, LCP (Liquid Crystal Polymer)
Connections:	1/2 inch NPT
Flow Range:	0.26 - 7.8 GPM (1 - 30 LPM) @ 5 - 1,000 cp
Accuracy:	± 0.5% of reading
Max. Working Pressure:	1,500 PSI / 103 BAR
Operating Temperature:	-4° F to +140° F (-20° C to +60° C)
Battery:	Lithium
Display:	6 digit; Shows Batch, Reset Total, Non-Reset Total
Display Units:	User selectable (gallons, litres, pints or quarts)
Model Numbers:	LM51DN (Lube Meter with Display 1/2" NPT)

LM50M – SPECIFICATIONS

Construction:	Aluminum
Wetted Components:	Acetal, Aluminum, Nitril and Steel
Connections:	1/2 inch NPT or BSPT (Female)
Flow Range:	0.26 - 7.8 GPM (1 - 30 LPM) @ 5 - 1,000 cp
Accuracy:	± 1.0% of reading
Max. Working Pressure:	1,000 PSI / 69 BAR
Operating Temperature:	+14° F (-10° C)
Battery:	None required
Model Numbers:	LM50MNL - 1/2" NPT fitting. Calibrated in litres LM50MBL - 1/2" BSPT fitting. Calibrated in litres LM50MNQ - 1/2" NPT fitting. Calibrated in quarts

Features and Benefits:

- ✓ Extremely accurate.
- ✓ Dependable performance.
- ✓ Reliable, trouble-free operation.
- ✓ Totalization in US gallons and liters

01N Series Water Meter



ACCURACY: ±5.0% OF READING

Features and Benefits:

- ✓ Simple, small and sturdy Electronic Digital Water Meter with rugged nylon housing.
- ✓ Mount on the end of a hose or a pipe, in-line.
- ✓ Complete meter, including turbine assembly, micro-processor and LCD readout.
- ✓ Choice of gallon and litre measurement.
- ✓ Works well on any pump or gravity feed system with at least 3-30 GPM (10-100 LPM) flow range.

01N – SPECIFICATIONS

Design Type:	Turbine
Fitting Size:	1 inch
Fitting Type:	NPT or BSP
Flow Range:	3 - 30 GPM (10 - 100 LPM)
Accuracy:	± 5.0% of reading
Repeatability:	± .5%
Pressure Rating:	150 PSIG (10.2 BAR)
Operating Temperature:	+14° F to +131° F (-10° C to +55° C)
Wetted Material:	
Housing:	Nylon
Bearings:	Ceramic
Shaft:	Tungsten Carbide
Rotor:	Nylon
Signal Generators:	Ferrite
Rings:	316 Stainless Steel
Shipping Weight (approx.):	1.1 lbs. (0.5 kg) (See page 76 for meter dimensions)
Local Display:	Includes: 2 Totals (1 Cumulative, 1 Batch); Permanent factory calibration for water.

APPROVALS



01A Series Fuel Meter



"Look for the red label!"

ACCURACY: ±5.0% OF READING

Features and Benefits:

- ✓ Lightweight, accurate, and reliable turbine meter with rugged aluminum housing and sealed electronic circuitry.
- ✓ Powered by two AAA batteries that are easy to replace.
- ✓ Factory calibrated for petroleum fuel with a choice of gallon and litre measurement.
- ✓ Works well on any pump or gravity feed system with at least 3-30 GPM (10-100 LPM) flow range.

01A – SPECIFICATIONS

Design Type:	Turbine
Fitting Size:	1 inch
Fitting Type:	NPT or ISO or BSPP (Female)
Flow Range:	3 - 30 GPM (10 - 100 LPM)
Accuracy:	± 5.0% of reading
Repeatability:	± .5%
Pressure Rating:	300 PSIG (21 BAR)
Operating Temperature:	+14° F to +130° F (-10° C to +54° C)
Wetted Material:	
Housing:	Aluminum
Bearings:	Ceramic
Shaft:	Tungsten Carbide
Rotor:	Nylon
Signal Generators:	Ferrite
Rings:	316 Stainless Steel
Shipping Weight (approx.):	2 lbs. (0.9 kg) (See page 76 for meter dimensions)
Local Display:	Includes: 2 Totals (1 Cumulative, 1 Batch); Permanent factory calibration for gasoline, diesel fuel or kerosene.

APPROVALS



FM-300H/R Chemical Meter



FM-300H/R – SPECIFICATIONS

Design Type:	Nutating Disc with Electronic Display
Fitting Size:	1 inch
Fitting Type:	Inlet: NPT (Female) Outlet: NPT (Male)
Flow Range:	2 - 20 GPM (7 - 75 LPM)
Accuracy:	± 2.0% of reading
Pressure Rating:	50 PSIG (3.4 BAR)
Operating Temperature:	+15° F to +130° F (-9° C to +54° C)
Wetted Material:	
Housing:	PBT Polyester
Fluid Chamber:	PBT Polyester
Signal Generator Kit:	PBT Polyester / Ferrite
Seals:	Fluorocarbon
Clip:	316 Stainless Steel
Shipping Weight (approx.):	3 lbs. (1.4 kg)
Display Options:	Local Display includes: Rate of Flow, Batch and Cumulative Totals. Factory and Field Calibration.

ACCURACY: ±2.0% OF READING

Features and Benefits:

- ✓ Simple, small and sturdy Electronic Digital Disc Meter with rugged PBT housing.
- ✓ Mount on the end of a hose or a pipe, in-line.
- ✓ Complete meter, including disc assembly, micro-processor and LCD readout.
- ✓ Choice of gallon and litre measurement.
- ✓ Factory calibrated for thin and medium fluids. Field calibrate for more viscous fluids.

APPROVALS





OM SERIES OVAL GEAR METERS

OM Series Oval Gear Meters are designed for low flow and high accuracy. OM Series Meters are great for viscous fluids. Units are available with pulse output from either a Reed Switch or Hall Effect Sensor. Electronics choices for the OM Series Meters are covered in the Electronic Choices Section.

1) Select Your OM Meter

OM Meters come in a variety of sizes and materials.



Pulse Meter



Mechanical Meter



2) Select Your Sensor

Reed Switch

Hall Effect
Requires Dedicated Power Source

Combo
Reed Switch / Hall Effect
(Standard)

Quadrature Pulse
Bi-directional Flow



3) Select Your Electronics Choice

For further details and selections see the Electronics Section.



RT12



EB10



RT40



E018 / E110



F018



GA

4-20 mA Output Without Display
(Remote)



GG

Display With Pulse Output
(Remote)



GX

Display 4-20 mA Output
(Remote)



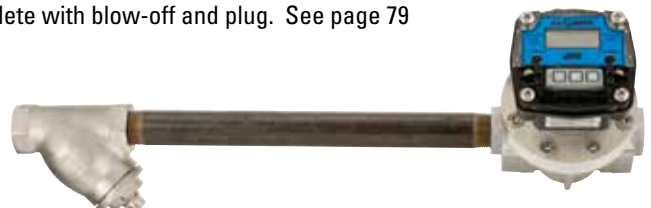
Pulse Output



4) Need a Strainer?

Oval Gear Meters work best with clean fluid, free of debris.

GPI carries Y Strainers to fit all models of Oval Gear Meters. These strainers range from 1/4 in. to 2 in. models. All sizes are 316 Stainless Steel and come complete with blow-off and plug. See page 79 for strainer specifications.



SIZE

OM004	= 1/8 in.	(4mm)	0.13-9.5 GPH	0.5-36 L/hr
OM006	= 1/4 in.	(6mm)	0.5-27 GPH	2-100 L/hr
OM008	= 3/8 in.	(8mm)	4-145 GPH	15-550 L/hr
OM008	= 1/4 in. high pressure	(6 mm)	4-145 GPH	15-550 L/hr
OM015	= 1/2 in.	(15mm)	0.26-10.6 GPM	1-40 L/min
OM025	= 1 in.	(25mm)	2.6-40 GPM	10-150 L/min
OM040	= 1-1/2 in.	(40mm)	4-66 GPM	15-250 L/min
OM050	= 2 in.	(50mm)	8-120 GPM	30-450 L/min
OM080	= 3 in.	(80mm)	10-200 GPM	35-750 L/min
OM080E	= 3 in.	(80mm)	13-260 GPM	50-1000 L/min
OM100	= 4 in.	(100mm)	20-400 GPM	75-1500 L/min

BODY MATERIAL

- A** = Aluminum
- E** = Extended flow aluminum version
- P** = PPS (73 PSI / 5 Bar)
- M** = Intermediate pressure aluminum meter (2000 PSI [138 Bar] max.) (OM025 only)
- S** = 316L Stainless Steel
- N** = Intermediate press. 316L SS meters (OM004N-025N = 1450 PSI [100 bar] , OM040N-050N = 725 PSI [50 bar])
- H** = High Pressure 316SS (OM004H-040H = 5800 PSI [400 bar] max. OM050H = 4350 PSI [300 bar])

ROTOR MATERIAL

- 0** = PPS - PTFE filled (Polyphenylene Sulfide)
- 1** = Keishi cutting of PPS rotors (for high viscosity liquids)
- 5** = Stainless steel (standard on OM004 & OM006, optional on other sizes)
- 7** = Keishi cutting of stainless steel rotors (for high viscosity liquids)

BEARING TYPE

- 0** = No Bearing - PPS rotor option only
- 1** = Carbon Ceramic (standard with stainless steel rotors)

O-RING MATERIAL

- 1** = FKM (Viton™) (**standard for Alum.**) -5° F minimum (-15° C)
- 2** = EPR (Ethylene Propylene Rubber) - for ketones only
- 3** = PTFE encapsulated FKM (Viton™) - (**standard for SS**)
- 4** = Buna-N (Nitrile), -40° F minimum (-40° C)

MAXIMUM TEMPERATURE LIMIT

- 2** = 250° F (120° C) max. (reduced to 80° C when fitted with integral instruments)
- 3** = 300° F (150° C) max. (Hall Effect output only, not available with HP meters)
- 5** = 250° F (120° C) max. (includes integral cooling fin)
- 8** = 176° F (80° C) max. (applies to Mech. Reg., OM025P & OM008 with PPS rotors)

Continued on next page.

PROCESS CONNECTIONS

- 1 = BSPP (G) female threaded
- 2 = NPT female threaded
- 3 = Sanitary Fittings (Sanitary Fittings are 1/2" larger than the meter size)
- 4 = ANSI-150 RF flanged
- 5 = ANSI-300 RF flanged
- 6 = PN16 DIN flanged

CABLE ENTRIES

- 0 = 3-6mm cable gland or no cable entry [Exclusive to B2 & B3 options (OM004 to OM008 and mechanical display models only)]
- 1 = M20 x 1.5 mm
- 2 = 1/2" NPT (OM004-OM008) 1/2" NPT Adaptor used for other sizes

INTEGRAL OPTIONS

- ___ = Combination Reed Switch and Hall Effect Sensor
- G5 = [GG 500] Rate / Total Display with pulse out and optional Ex. Power
[Local Display w/ Pulse (60°C)]
- G6 = [GX 500] Rate / Total Display w/ 4-20mA out [Local Display w/ 4-20mA (60°C)]
- G7 = [GA 500] Loop powered 4-20mA analog output [Local 4-20mA (60°C)]
- RS = Reed Switch only - to suit Intrinsically safe installations
- E1 = Explosionproof Exd IIB T4/T6 (aluminum & stainless meters) [IECEX & ATEX approved] [120° C]
- E2 = Explosionproof Exd I/IIB T4/T6 (stainless meters only) [IECEX & ATEX mines approved] [120° C]
- QP = Quadrature pulse (2 NPN phased outputs) [not available with high press models]
- Q1 = Explosionproof Exd (with quadrature pulse, but not available with high pressure meter)
[IECEX & ATEX approved]
- HR = High resolution Hall effect output (Hall Effect only) [OM004:11200ppL], [OM006:4200ppL]
- H1 = Explosionproof - Exd with HR Hi-res. Hall option [IECEX & ATEX approved]
- PF = Pulsating flow option (Hall effect output only) [for injected combustion engines]
- P1 = Explosionproof - Exd with PF pulsating flow option [IECEX & ATEX approved]
- B2 = BT11 totaliser with pulse output [with scaleable pulse output]
- B3 = Intrinsically safe BT11 with pulse output [IECEX & ATEX approved]
- R0 = RT12 rate totaliser with all outputs (Alloy housing) [scaled pulse, alarms, 4-20mA]
- R2 = RT12 rate totaliser with all outputs (GRN housing) [scaled pulse, alarms, 4-20mA]
- R3 = Intrinsically safe RT12 with all outputs (GRN housing) [IECEX & ATEX approved]
- R4 = RT40 rate totaliser with backlit large digit LCD [scaleable pulse output, backlight]
- E0 = EB10 batch controller [2 stage DC batcher & totaliser]
- M3 = 4-digit Mechanical Totalizer - litres [Resolution depends on size]
- M4 = 4-digit Mechanical Totalizer - gallon [Resolution depends on size]
[Consult Factory for Availability with High Pressure Meters]

OM004, OM006 & OM008 Oval Gear Meter

OM SERIES

OM004 (1/8"), OM006 (1/4") and OM008 (3/8") Oval Gear Meters



The OM Small Capacity Oval Gear Meters have an increased flow range and offers the ability to handle a wide range of fluid viscosities with exceptional levels of repeatability.

OM Electronic Choices:

Options include electronic LCD totalisers, flowrate totalisers and batch controllers (4-20mA, scaled pulse, alarms and batch control)

- G5 LCD 6-digit reset, cumulative totalizer and flow rate, pulse output
- G6 LCD 6-digit reset, cumulative totalizer and flow rate analog (4-20mA) and pulse outputs
- G7 Blind analog (4-20mA) output
- BT11 LCD 5-digit reset, 8-digit cumulative totalizer, pulse output
- RT12 LCD 6-digit reset, cumulative totalizer and flow rate, analog and pulse outputs
- RT40 LCD 6-digit reset, cumulative totalizer and flow rate. Backlit Display, pulse output
- EB LCD 6-digit 2 stage batcher and cumulative totaliser (Available for remote mounting and with I.S. approvals - RT12 and BT11 only)

For complete part number, see "Meter Number Reference" for this section.

ACCURACY: $\pm 1.0\%$ OF READING

Select Your Body Material:

Aluminum or Stainless Steel

Features and Benefits:

- ✓ High accuracy and repeatability, direct volumetric reading.
- ✓ No requirement for flow conditioning (straight pipe runs).
- ✓ Stainless Steel rotors (Optional PPS Rotor for OM008 meter).
- ✓ Measures high and low viscosity liquids
- ✓ Quadrature pulse output option and bi-directional flow
- ✓ Blind 4-20mA output option
- ✓ Optional Exd I/IIB approval (ATEX, IECEx)
- ✓ PF option available for metering pulsating flows
- ✓ Only two moving parts

SPECIFICATIONS

Model Prefix:	OM004 (1/8")	OM006 (1/4")	OM008 (3/8")
Nominal size (inches):	1/8" (4mm)	1/4" (6mm)	3/8" (8mm)
*Flow range - (GPH):	(0.13-9.5)	(0.5-27)	(4-145)
- (LPH):	(0.5 - 36)	(2 - 100)	(15 - 550)
**Accuracy @ 3cp:	$\pm 1\%$ of reading (accuracy is $\pm 0.2\%$ of reading with optional RT12 with non-linearity correction)		
Repeatability:	Typically $\pm 0.03\%$ of reading		
Temperature range:	-4° F - +250° F (-20° C - +120° C), refer factory for lower temperature		
Maximum pressure:	PSI (bar) Threaded Meter		
Aluminium meters:	220 (15)		
316 stainless steel:	495 (34)		
Intermediate press. SS meter:	1450 (100)		
High pressure models:	5800 (400)		

Electrical - for pulse meters (see below for optional outputs)

Output pulse resolution:	Pulses / gallon (Pulses / litre) - nominal		
Reed switch:	10600 (2800)	3975 (1050)	1345 (355)
Hall effect:	10600 (2800)	3975 (1050)	2690 (710)
QP-Quadrature Hall option:	10600 (2800)	3975 (1050)	2690 (710)
PF-Pulsating Flow (Hall Effect):	10600 (2800)	3975 (1050)	675 (178)
HR-High resolution Hall effect:	42400 (11200)	15900 (4200)	N/A
Reed switch output:	30Vdc x 200mA max. [maximum thermal shock 18° F (10° C) / minute]		
Hall effect output (NPN):	3 wire open collector, 5-24Vdc max., 20mA max.		
Optional outputs:	4-20mA, scaled pulse, quadrature pulse, flow alarms or two stage batch control		

Physical

Protection class:	IP66/67 (NEMA4X), optional Exd I / IIB T4/T6, integral ancillaries can be supplied I.S. (intrinsically safe)
Overall dimensions:	Refer Below
Recommended filtration:	200 mesh (75 microns)

* Maximum flow is to be reduced as viscosity increases, see flow de-rating guide. Max. recommended pressure drop is 100Kpa. (14.5 psi)

**QP and PF Options are not available with High Pressure Meters

OM015 (1/2"), OM025 (1"), OM040 (1-1/2") and OM050 (2")



The OM Medium Capacity Oval Gear Meters are great for medium flow ranges and have the ability to handle a wide range of fluid viscosities.

OM Electronic Choices:

Options include electronic LCD totalisers, flowrate totalisers and batch controllers (4-20mA, scaled pulse, alarms and batch control)

- G5 LCD 6-digit reset, cumulative totalizer and flow rate, pulse output
- G6 LCD 6-digit reset, cumulative totalizer and flow rate analog (4-20mA) and pulse outputs
- G7 Blind analog (4-20mA) output
- BT11 LCD 5-digit reset, 8-digit cumulative totalizer, pulse outputs
- RT12 LCD 6-digit reset, cumulative totalizer and flow rate, analog and pulse outputs
- RT40 LCD 6-digit reset, cumulative totalizer and flow rate. Backlit Display, pulse outputs
- EB LCD 6-digit 2 stage batcher and cumulative totaliser (Available for remote mounting and with I.S. approvals - RT12 and BT11 only)

ACCURACY: ±0.5% OF READING

Select Your Body Material:

Aluminum or Stainless Steel

Features and Benefits:

- ✓ High accuracy and repeatability, direct volumetric reading.
- ✓ No requirement for flow conditioning (straight pipe runs).
- ✓ Measures high and low viscosity liquids.
- ✓ Quadrature pulse output option and bi-directional flow
- ✓ Blind 4-20mA output option
- ✓ Optional Exd I/IIB approval (ATEX, IECEx)
- ✓ Only two moving parts

SPECIFICATIONS

Model Prefix	OM015 (1/2")	OM025 (1")	OM040 (1.5")	OM050 (2")
Nominal size (inches):	1/2" (15mm)	1" (25mm)	1.5" (40mm)	2" (50mm)
*Flow range - (GPM):	0.26 - 10.6	2.6 - 40	4.0 - 66	8 - 120
- (LPM):	1 - 40	10 - 150	15 - 250	30 - 450
**Accuracy @ 3cp:	± 0.5% of reading (accuracy is ± 0.2% of reading with optional RT12 with non-linearity correction)			
Repeatability:	Typically ± 0.03% of reading			
Temperature range:	-4°F - +250°F (-20°C - +120°C), refer factory for lower temperature			
Maximum pressure:	PSI (bar) Threaded Meters			
Aluminium meters:	990 (68)	990 (68)	435 (30)	285 (20)
Intermediate press. AL	-	2000 (138)	-	-
316 stainless steel:	990 (68)	990 (68)	435 (30)	550 (38)
Intermediate press. SS meter:	1450 (100)	1450 (100)	725 (50)	725 (50)
*** High pressure models:	5800 (400)	5800 (400)	5800 (400)	4350 (300)
Max. pressure Mech. Meter	PSI (Threaded meters) bar			
Aluminium meters	580 (40)	580 (40)	435 (30)	285 (20)
316 stainless steel	580 (40)	580 (40)	435 (30)	285 (20)

Electrical - for pulse meters (see below for optional outputs)

Output pulse resolution:	Pulses / gallon (Pulses / litre) - nominal			
Reed switch:	318 (84)	102 (27)	53 (14)	25 (6.5)
Hall effect:	636 (168)	405 (107)	212 (56)	99 (26)
QP-Quadrature Hall option:	636 (168)	204 (54)	106 (28)	49 (13)
Reed switch output:	30Vdc x 200mA max. [maximum thermal shock 18° F (10° C) / minute]			
Hall effect output (NPN):	3 wire open collector, 5-24Vdc max., 20mA max.			
Optional outputs:	4-20mA, scaled pulse, quadrature pulse, flow alarms or two stage batch control			

Physical

Protection class:	IP66/67 (NEMA4X), optional Exd I / IIB T4/T6, integral ancillaries can be supplied I.S. (intrinsically safe)			
Overall dimensions:	Refer Below			
Recommended filtration:	100 mesh (150 microns)			

* Maximum flow is to be reduced as viscosity increases, see flow de-rating guide. Max. recommended pressure drop is 100Kpa. (15 psi)

** Accuracy ± 1% of reading with M - Series mechanical registers and accuracy ± 0.5% of reading with V-series mechanical register.

*** QP and PF Options are not available with High Pressure Meters.

OM080 (3"), OM080E (3") and OM100 (4") Oval Gear Meters



The OM Large Capacity Oval Gear Meters have fitting sizes of 3 inches and 4 inches and handle volumetric flow measurement of clean liquids used in a wide range of applications.

OM Electronic Choices:

Options include electronic LCD totalisers, flowrate totalisers and batch controllers (4-20mA, scaled pulse, alarms and batch control)

- G5 LCD 6-digit reset, cumulative totalizer and flow rate, pulse output
- G6 LCD 6-digit reset, cumulative totalizer and flow rate analog (4-20mA) and pulse outputs
- G7 Blind analog (4-20mA) output
- BT11 LCD 5-digit reset, 8-digit cumulative totalizer, pulse outputs
- RT12 LCD 6-digit reset, cumulative totalizer and flow rate, analog and pulse outputs
- RT40 LCD 6-digit reset, cumulative totalizer and flow rate. Backlit Display, pulse outputs
- EB LCD 6-digit 2 stage batcher and cumulative totaliser (Available for remote mounting and with I.S. approvals - RT12 and BT11 only)

ACCURACY: ±0.5% OF READING

Select Your Body Material:

Aluminum or Stainless Steel

Features and Benefits:

- ✓ High accuracy and repeatability, direct volumetric reading
- ✓ No requirement for flow conditioning (straight pipe runs)
- ✓ Various rotor material options
- ✓ Measures high and low viscosity liquids
- ✓ Quadrature pulse output option and bi-directional flow
- ✓ Blind 4-20mA output option
- ✓ Optional Exd I/IIB approval (ATEX, IECEx)
- ✓ Only two moving parts

SPECIFICATIONS

Model Prefix:	OM080	OM080E	OM100
Nominal size (inches):	3" (80mm)	3" (80mm) E	4" (100mm)
*Flow range - (GPM):	10 - 200	13 - 260	20 - 400
- (LPM):	35 - 750	50 - 1000	75 - 1500
**Accuracy @ 3cp:	± 0.5% of reading (accuracy is ± 0.2% of reading with optional RT12 with non-linearity correction)		
Repeatability:	Typically ± 0.03% of reading		
Temperature range:	-4° F - +250° F (-20° C - +120° C), refer factory for lower temperature		
Maximum pressure:	PSI (bar) Threaded Meters		
Aluminium meters	175 (12)	175 (12)	145 (10)
316 stainless steel	175 (12)	-	-

Electrical - for pulse meters (see below for optional outputs)

Output pulse resolution:	Pulses / gallon (Pulses / litre) - nominal		
Reed switch:	10.0 (2.65)	5.68 (1.55)	4.15 (1.10)
Hall effect:	40.5 (10.70)	22.7 (6.00)	8.30 (4.40)
Quadrature Hall option:	20.0 (5.33)	11.4 (3.00)	8.30 (2.20)
Reed switch output:	30Vdc x 200mA max. [maximum thermal shock 18° F (10° C) / minute]		
Hall effect output (NPN):	3 wire open collector, 5-24Vdc max., 20mA max.		
Optional outputs:	4-20mA, scaled pulse, quadrature pulse, flow alarms or two stage batch control		

Physical

Protection class:	IP66/67 (NEMA4X), optional Exd I / IIB T4/T6, integral ancillaries can be supplied I.S. (intrinsically safe)
Overall dimensions:	Refer Below
Recommended filtration:	40 mesh (350 microns)

* Maximum flow is to be reduced as viscosity increases, see flow de-rating guide. Max. recommended pressure drop is 100Kpa. (15 psi)

**Accuracy ± 1% of reading with M - Series mechanical registers and accuracy ± 0.5% of reading with V-series mechanical register.



DP SERIES INSERTION IMPELLER METERS

DP Insertion Impeller Meters are cost effective stainless steel flowmeters for measuring the flow of water, fuel and other low viscosity liquids in pipe sizes 1 ½" to 100" (40 mm to 2500mm). Insertion flow meters are installed with the metering head 1/8th into the pipe resulting in very little pressure drop. DP's do not require external power when used with Flomec rate totalizers, however some options such as high temperature and non-magnetic models require external power.

Applications include:

- HVAC
- Hot & Chilled Water
- Fire Systems
- Water Distribution
- Boiler and Chiller Feed Water
- Industrial Chemicals

SIZE

- DP490** = 1-1/2 in. to 36 in. pipes (40-900 mm)
- DP525** = 2 to 100 in. pipes (50-2500 mm) suitable for "hot-tap" installations (valve not included)

BODY MATERIALS

- S** = 316 Stainless Steel

ROTOR & BEARING MATERIALS

- 1** = PEEK high temperature rotor with stainless steel rotor shaft - 300° F (150° C)
- 2** = PVDF rotor with 316 stainless steel rotor shaft (standard)

O-RING MATERIALS

- 1** = FKM (Viton™) **standard**, 5 to 400° F (-15 to +204° C)
- 2** = EPR (Ethylene Propylene Rubber) - for ketones only
- 4** = Buna-N (Nitrile), -40 to +250° F (-40 to +125° C)

TEMPERATURE LIMITS

- 2** = 260° F (125° C) - available with electrical connections 5, 6 & PEEK rotor only
- 3** = 300° F (150° C) - NPN output only (available with electrical connection 5 & PEEK rotor only)
- 5** = 212° F (100° C) standard, (185° F [85° C] maximum for non magnetic output type 4)

PROCESS CONNECTIONS

- 1** = BSPT male thread - 1½" (DP490) or 2" (DP525)
- 2** = NPT male thread - 1½" (DP490) or 2" (DP525)
- 3** = 2" BSPT male thread on the DP490
- 4** = 2" NPT male thread on the DP490

PICK-UP TYPE

- 1** = NPN open collector & voltage pulse (standard)
- 2** = NPN open collector(s) only (for temp code 3 or QP option)
- 3** = Reed switch only (may be used with an I.S. barrier or instrument in hazardous areas)
- 4** = Non magnetic rotor with NPN output (for liquids with ferrous impurities, needs power)
- 8** = NPN open collector & Reed switch

ELECTRICAL CONNECTIONS

- 1** = 10 ft. cable [3 metres] (**standard**)
- 2** = 33 ft. cable [10 metres]
- 3** = 66 ft. cable [20 metres]
- 4** = 164 ft. cable [50 metres] (for longer lengths refer to factory)
- 5** = Terminal box on stem kit (add this for integral output option FI, 4-20mA output)
- 6** = Stem kit - 3/8" NPT (price included with integral options B2, B3, R2, R3 & E0)
- 7** = Stem kit - 1" NPT (for G5, G6 & G7)

Continued on next page.

INTEGRAL OPTIONS

- = Combination Reed Switch and Hall Effect Sensor
- G5** = Rate / Total Display w / pulse out and optional Ex. Power
- G6** = Rate / Total Display w / 4-20mA out
- G7** = Loop powered 4-20mA analog output
- QP** = Quadrature pulse output
- B2** = BT11 dual totaliser (with scaleable pulse output)
- B3** = I.S. intrinsically safe BT11 including output [IECEX & ATEX approved]
- R0** = RT12 rate totaliser with all outputs (Alloy housing) [scaled pulse, alarms & 4-20 mA]
- R2** = RT12 rate totaliser with all outputs [scaled pulse, alarms & 4-20 mA]
- R3** = I.S. intrinsically safe RT12 with all outputs [IECEX & ATEX approved]
- R4** = RT40 large LCD flow rate totaliser [scaled pulse + backlighting]
- E0** = EB10 DC powered two stage batch controller

DP Series Insertion Impeller Meters

DP490 & DP525 are cost effective stainless steel flowmeters for measuring the flow of water, fuels & other low viscosity liquids in pipes sizes 1.5" - 100" (40 - 2500mm).



ACCURACY: ±1.5% OF READING

Body Material:

Stainless Steel

Features and Benefits:

- ✓ IP68 (NEMA6) submersible 316SS construction.
- ✓ Low cost of ownership, wide flow range.
- ✓ Rugged & compact design.
- ✓ Intrinsically safe hazardous area versions.
- ✓ Hot tap installation
- ✓ Integral or remote pre-amplifiers & flow instruments.
- ✓ DP525 version suitable for "hot tap" installation.
- ✓ Quadrature pulse output option and Bi-Directional Flow Measurement
- ✓ Integral 4-20mA output option

SPECIFICATIONS

Model Prefix:	DP490	DP525
Suit pipe sizes:	1.5" - 36" (40 - 900mm)	2"-100" (50 - 2500mm)
Pipe connection:	1.5" or 2" BSPT or NPT male	2" BSPT or NPT male
Flow range:	4 - 99,600 USGM (0.25 - 6300 litres/sec)	6 - 780,000 USGM (0.4 - 49000 litres/sec)
Flow velocity range:	1 - 33 feet/sec (0.3 - 10 meters/sec)	
Linearity:	typically ± 1.5% with well established flow profile	
Temperature range:	-40°F - +300° F (-40° C - +150° C)	
Maximum pressure:	1160 psig (80 bar)	
Materials	316ss body and rotor shaft, PVDF rotor (PEEK rotor optional)	
Pulse Outputs	For PVDF 212° F (100° C)	
Reed switch:	30Vdc x 200mA (max.), Nom. 0 - 80hz	
Hall effect:	3 wire NPN, 5 - 24 Vdc, 20mA (max.) Nom. 0 - 240hz	
Voltage Pulse	Self generated voltage. Nom. 0 - 240hz	
Non magnetic sensor:	3 wire NPN, 5-24Vdc max., 20mA max. Nom. 0 - 240hz	
Optional outputs:	4-20mA, scaled pulse, quadrature pulse, flow alarms or two stage batch control	
Protection class:	IP68 (NEMA6), integral ancillaries can be supplied I.S. (intrinsically safe)	

* Reed Switch resolution is 1/3 that of the NPN Hall Effect or Voltage pulse outputs.



"Look for the blue label!"



ELECTRONIC CHOICES

FLOMEC® Electronics are available with a variety of features. Choosing the best combination of meter and electronics is easy using the FLOMEC System. The Meter Application Sheet in the Reference Section can serve as a worksheet to guide you in selecting the right product for your application. Your FLOMEC Sales Representative can assist you with this process.

1) What meter do I need in this application?

Meter choice is determined by: Level of accuracy required, flowrate, line size, viscosity, fitting type, pressure rating, temperature, chemical compatibility and etc. The general categories below provide some basic information about meter types.

G Series Meters	G2 Series Meters	OM Series Meters
 <p>Precision Meters</p>	<p><i>"Look for the blue label!"</i></p>  <p>Wide range of materials and sizes.</p>	 <p>Positive Displacement Meter technology in a variety of materials and sizes.</p>
TM Series Water Meters	A1 Commercial Grade Meters	Economy Meters
 <p><i>"Look for the blue label!"</i></p> <p>Water Meters</p>	 <p><i>"Look for the silver label!"</i></p> <p>Aluminum or Nylon Meters with display in a self-contained unit.</p>	 <p><i>"Look for the red label!"</i></p> <p>Water, fuel, lube and chemical meters with basic features.</p>



2) What type of output do I need from my electronics?

Output can be simple totals, rate of flow and various types of signal output.

GPI Electronics can be mounted to the meter or to a remote location and come with or without display.

Local Display	GA Series Electronics	GG Series Electronics	GX Series Electronics	SC Series Electronics
09 Electronics	4-20 mA Output without Display	Pulse Output with Display	4-20 mA Output with Display	Scaled Pulse Output
RT40	RT12	EB10	E Series (E110 / E018)	F Series
Total & Rate Display	4-20 mA & Pulse Output with Display	Batch Controller	Total & Rate 4-20mA & Pulse Output Explosion Proof	Total & Rate 4-20mA & Pulse Output Alarms

Local Display for Turbine Meter*"Look for the blue label!"*

An excellent choice for most FLOMEC® Meters. Commonly used features are preprogrammed in the Computer Display. End-users can enable additional features by using a password available from the factory or on the GPI website. The 09 configuration provides a high degree of customization, matching customers' exact needs.

Using a password-protected configuration process you can enable additional features. GPI Customer Service can provide the password and instructions to unlock and reset configuration settings. This information is also available on the GPI website.

User Configuration features include:

- Totalizers/Modes Enabled (Cumulative Total, Batch 2 Total, Flowrate Mode)
- Flowrate Timebase (Units per Minutes, Hours and Days)
- Factory Calibration Curve Units Enabled (Gallons, Imperial Gallons, Litres, Quarts, Ounces, Cubic Feet, Cubic Centimeters, Cubic Meters or Barrels (42 gal.)
- Dispense/Display or K-Factor Entry Calibration

09 COMPUTER – SPECIFICATIONS

Std. Factory Configuration:	2 Totals (1 Resettable, 1 Cumulative); Factory Calibration in gallons and litres; User Calibration and Rate of Flow Indication.
Computer Electronics:	09 Electronics can be used on G, G2, TM, A1, OM and DP Series Meters.
Totalizing Registers:	0 to 3 available
K-Factor Limits:	Min: .01 pulses/unit Max: 999,999 pulses/unit
Field Calibration:	Field calibrate by user. Standard Method: Correction Factor. Six adjustable digits. Can be reconfigured to K-factor entry.
Readout Totals:	LCD with floating decimal Minimum Display = 0.01 units Maximum Display = 999,999 x100 units (6 digits)
Input Pulse Rate:	Minimum (Pulse-in Input) = DC (0 Hz) Minimum (Coil Input) = Approximately 10 Hz Maximum = Approximately 1,000 Hz
Turbine Display:	
Internal Power Supply:	2 Lithium batteries at 3 volts each
Lithium Battery Life:	5 Years
Optional Power Supply:	7 to 30 VDC
Oval Gear Display:	
Internal Power Supply:	9-volt battery
Optional Power Supply:	10 to 18 VDC
Operating Temperature:	0° F to +140° F (-18° C to +60° C)
Storage Temperature:	-40° F to +158° F (-40° C to +70° C)

APPROVALS (A1 & G2 MODELS ONLY)

ATEX

IECEx

Features and Benefits:

- ✓ 2 Totals (Batch - Resettable, Cumulative - Not Resettable).
- ✓ Flowrate display updates every 5 seconds, readout is in units/minute.
- ✓ Factory Calibration in gallons and litres is standard. Can be field calibrated to adjust to various fluid thickness.
- ✓ Correction calibration lets end user calibrate by ± percent off.
- ✓ Small, compact and totally self contained with an internal power supply.
- ✓ Non-volatile totals means amounts are retained when batteries are replaced or power is lost.
- ✓ Lithium battery life: 5 years.

Display With Pulse Output



GG500
Remote Mount



GG510
Local Mount

The GG500 is a remote mount Pulse-Out Transmitter with battery powered display.

Choose the GG510 when a local mount is needed on the G2 series.

Choose the G5 when a local mount is needed on the OM series.

Choose the 5 when a local mount is needed on the G series.

GG500/GG510 – SPECIFICATIONS

Accuracy:	± 0.1% of reading
Output Options:	
Primary Output:	Open Collector (NPN)
Pulse-Out:	
Max. "OFF" Voltage:	60 V
Max. "ON" Current:	200 mA
Max. "ON" Voltage Drop:	< 0.5 V @ 200 mA
Electrical:	
Strain Relief:	Hubble PG7
Strain Relief Thread:	Female 1/2-20 UNF-2B
Cable:	<i>Remote:</i> Belden 9363 (500 Series only) <i>Local:</i> No cable provided
Cable Length:	20 ft. (6 m) provided (500 Series only)
Power Supply:	9-volt battery or externally powered
Voltage Supply (Min.):	7 VDC
Voltage Supply (Max.):	30 VDC
Input Options:	Hall Effect, Reed Switch, Open Collector or Low Level Sine Wave
Remote Mounting:	Pipe or wall
Operating Temperature:	+14° F to +140° F (-10° C to +60° C)
Frequency Input:	
Low Level Coil (LLC):	0 - 1000 Hz
High Level Low Freq.:	0 - 150 Hz
High Level High Freq.:	0 - 1000 Hz
Enclosure Rating:	NEMA 4X / IP55
Shipping Weight:	<i>Remote:</i> 2.0 lbs. (.90 kg) <i>Local:</i> 1.0 lbs. (.45 kg)
Calibratable:	K-factor Entry

ACCURACY: ±0.1% READING

Features and Benefits:

- ✓ Provides communication with process control equipment.
- ✓ Works with G Series, G2 Turbine Meters, OM and DP Meters.
- ✓ 2 Totals (Batch = Resettable, Cumulative = Non-Resettable); Rate of Flow. Factory calibrated in gallons and litres. Field calibratable. Allows user calibration. Includes non-volatile totals.
- ✓ Industry Standard Output: Unscaled Pulse.
- ✓ Easily mounted on pipe or wall.

Display With 4-20 mA Output



GX500
Remote Mount



GX510
Local Mount

The GX500 is a remote mount 4-20 mA Output Transmitter with display.

Choose the GX510 when a local mount is needed on the G2 series.

Choose the G6 when a local mount is needed on the OM series.

Choose the 6 when a local mount is needed on the G series.

GX500/GX510 – SPECIFICATIONS

Accuracy:	± 0.1% of reading
Output Options:	
Primary Output:	Loop (4-20 mA or 0-20 mA)
Minimum:	1.5 mA
Maximum:	25 mA
Auxiliary Outputs 0-5 V:	Single Ended
Minimum:	0.1 V
Maximum:	4.9 V
Pulse-Out:	
Max. "OFF" Voltage:	60 V
Max. "ON" Current:	200 mA
Max. "ON" Voltage Drop:	< 0.5 V @ 200 mA
Electrical:	
Strain Relief:	Hubble PG7
Strain Relief Thread:	Female 1/2-20 UNF-2B
Cable:	<i>Remote:</i> Belden 9363 (500 Series only) <i>Local:</i> No cable provided
Cable Length:	20 ft. (6 m) provided (500 Series only)
Power Supply:	2-wire, loop powered
Voltage Supply (Min.):	8.5 VDC
Voltage Supply (Max.):	35 VDC
Input Options:	Hall Effect, Reed Switch, Open Collector or Low Level Sine Wave
Remote Mounting:	Pipe or wall
Operating Temperature:	+32° F to +140° F (0° C to +60° C)
Frequency Input:	
Low Level Coil (LLC):	0.25 - 1000 Hz
High Level Low Freq.:	0.25 - 150 Hz
High Level High Freq.:	0.25 - 1000 Hz
Optically Isolated HLLF:	w/2500 V optical isolation
Optically Isolated HLHF:	w/2500 V optical isolation
Enclosure Rating:	NEMA 4X / IP55
Shipping Weight:	<i>Remote:</i> 2.0 lbs. (.90 kg) <i>Local:</i> 1.1 lbs. (.5 kg)
Calibratable:	K-factor Entry

ACCURACY: ±0.1% READING

Features and Benefits:

- ✓ Provides communication with process control equipment.
- ✓ Works with G Series, G2 Turbine Meters, OM and DP Meters.
- ✓ 2 Totals (Batch = Resettable, Cumulative = Non-Resettable); Rate of Flow. Factory calibrated in gallons and litres. Field calibratable. Allows user calibration. Includes non-volatile totals.
- ✓ Now available with Lockout feature.
- ✓ Microprocessor-based electronics have extremely low power requirements.
- ✓ Easy to set 4-20 mA endpoints under actual flow conditions.
- ✓ A signal conditioner with industry standard current loop output.
- ✓ Easily mounted on pipe or wall.

4-20 mA Output



GA500
Remote Mount



GA510
Local Mount

The GA500 is a remote mount 4-20 mA Output Transmitter without display.

Choose the GA510 when a local mount is needed on the G2 series.

Choose the G7 when a local mount is needed on the OM series.

Choose the 7 when a local mount is needed on the G series.

GA500/GA510 – SPECIFICATIONS

Accuracy:	± 0.1% of reading
Output Options:	
Primary Output:	Loop (4-20 mA or 0-20 mA)
Minimum:	1.5 mA
Maximum:	25 mA
Auxiliary Outputs 0-5 V:	Single Ended
Minimum:	0.1 V
Maximum:	4.9 V
Pulse-Out:	
Max. "OFF" Voltage:	60 V
Max. "ON" Current:	200 mA
Max. "ON" Voltage Drop:	< 0.5 V @ 200 mA
Electrical:	
Strain Relief:	Hubble PG7
Strain Relief Thread:	Female 1/2-20 UNF-2B
Cable:	<i>Remote:</i> Belden 9363 (500 Series only) <i>Local:</i> No cable provided
Cable Length:	20 ft. (6 m) provided (500 Series only)
Power Supply:	2-wire, loop powered
Voltage Supply (Min.):	8.5 VDC
Voltage Supply (Max.):	35 VDC
Input Options:	Hall Effect, Reed Switch, Open Collector or Low Level Sine Wave
Mounting:	Pipe or wall
Operating Temperature:	+32° F to +140° F (0° C to +60° C)
Frequency Input:	
Low Level Coil (LLC):	0.25 - 1000 Hz
High Level Low Freq.:	0.25 - 150 Hz
High Level High Freq.:	0.25 - 1000 Hz
Optically Isolated HLLF:	w/2500 V optical isolation
Optically Isolated HLHF:	w/2500 V optical isolation
Enclosure Rating:	NEMA 4X / IP55
Shipping Weight:	<i>Remote:</i> 2.0 lbs. (.90 kg) <i>Local:</i> 1.1 lbs. (.5 kg)

ACCURACY: ±0.1% READING

Features and Benefits:

- ✓ Provides communication with process control equipment.
- ✓ Works with G Series, G2 Turbine Meters, OM and DP Meters.
- ✓ Now available with Lockout feature.
- ✓ Microprocessor-based electronics have extremely low power requirements.
- ✓ Easy to set 4-20 mA endpoints under actual flow conditions.
- ✓ A signal conditioner with industry standard current loop output.
- ✓ Easily mounted on pipe or wall.

Scaled Pulse Output



SC500
Remote Mount



SC510
Local Mount

The FLOMEC® Scaled Pulse Module is a switch-programmable multi-stage counter/divider with multiple inputs. The module provides selectable K-factor to convert input frequency to scaled pulse output. The SC500 connects via a 20 foot input cable. The SC510 connects directly to the 1 inch MNPT conduit connector.

Choose the 8 when a local mount is needed on the G series.

SC500/SC510 – SPECIFICATIONS

Accuracy:	± 0.1% of reading
Power Source:	DC powered 5 to 30 VDC
Input Signal:	Hall Effect, Reed Switch or Open Collector (NPN) or Sine Wave
Output Signal:	Open Collector (NPN)
Frequency Range:	Coil, HF = 0-1500 Hz; LF = 0-150 Hz
Operating Temperature:	-40° F to +185° F (-40° C to +85° C)
Cable:	<i>Remote:</i> 20 ft. (6 m), 3-conductor, tinned drain wire, 22 AWG, PVC jacket .212 dia. Ref. Belden 9363. <i>Local:</i> No cable provided
Mechanical Connections:	<i>Remote:</i> Wall or pipe mountable with standard U-bolts. <i>Local:</i> Unit is mounted to meter body, 1" NPT.
Electrical Connections:	<i>Remote:</i> Two strain relief ports <i>Local:</i> One strain relief port; one threaded plug

ACCURACY: ±0.1% READING

Features and Benefits:

- ✓ Converts input frequency to scaled pulse output.
- ✓ Provides communication with process control equipment.
- ✓ Works with G Series, G2 and A1 Turbine Meters, OM and DP Meters.
- ✓ Remote model mounts on pipe or wall.

E Series: E018

Explosion Proof Flowrate Monitor / Totalizer with Linearization, High/Low Alarms, 4-20 mA and Pulse Outputs



The E108 4-20 mA Transmitter is a loop powered transmitter with simultaneous Rate & Total indicator. The E118 features an explosion proof enclosure for hazardous location use. It also features 16 point linearization.

Features and Benefits:

- ✓ Magnetic Pickup Input, Contact Closure Input, DC Pulse Input.
- ✓ 16 point linearization.

E018 - SPECIFICATIONS

Power Supply:	16-30 VDC
Operating Temperature:	-40° F to +158° F (-40° C to +70° C)
Output:	4-20 mA, (Isolated from Ground), Pulse, Alarms
Display:	7-digit Rate; 11-digit Totalizer

ENCLOSURE APPROVALS

ATEX  IECEx  CE IP67 NEMA 4X

Communication

Function: All process data and settings can be read and modified through the communication link.

Protocol: Modbus RTU, HART communication protocol

* Pending

E Series: E110

Explosion Proof Flowrate Indicator / Totalizer with 4-20 mA and Pulse Outputs



The E110 is a battery powered Totalizer & Rate Indicator. Both Local and Remote models are available. The E110 features an explosion proof enclosure for hazardous location use.

Features and Benefits:

- ✓ Magnetic Pickup Input, Contact Closure Input, DC Pulse Input.
- ✓ 16 point linearization.

E110 - SPECIFICATIONS

Power Supply:	16-30 VDC
Operating Temperature:	-40° F to +158° F (-40° C to +70° C)
Output:	4-20 mA (Isolated), Pulse
Display:	7-digit Rate; 11-digit Totalizer

ENCLOSURE APPROVALS

ATEX  IECEx  CE IP67 NEMA 4X

Communication

Function: All process data and settings can be read and modified through the communication link.

Protocol: Modbus RTU.

Interface: RS232 / RS485 2-wire or 4-wire / TTL.

* Pending

F Series: F118

Field Mount Flowrate Monitor / Totalizer with Linearization, High/Low Alarms, Analog and Pulse Outputs



The F018 4-20 mA Transmitter is a loop powered transmitter with simultaneous Rate & Total indicator. The F018 features a NEMA 4X field enclosure. It also features 10 point linearization. Intrinsically safe availability.

The F018 is a versatile flow rate indicator and totalizer with the ability to precisely linearize the flowmeter signal. In addition to the average K-Factor or Span, ten linearization points can be entered with their frequencies or values. The unit will interpolate between these points, greatly enhancing accuracy in any flow range, even for very low frequency applications. Moreover, a continuous flow rate monitoring feature is available with high and low flow rate alarm values and up to three alarm outputs. Flow rate and total are transmitted with an analog and scaled pulse output.

The display shows flow rate, total, accumulated total, alarm values, alarm messages and status. On-screen engineering units are easily configured from a comprehensive selection.

Features and Benefits:

- ✓ Magnetic Pickup Input, Contact Closure Input, DC Pulse Input.
- ✓ 10 point linearization.

ENCLOSURE APPROVALS

IP66 IP67 NEMA 4X IEC IECEx ATEX

Communication

Function: All process data and settings can be read and modified through the communication link.

Protocol: Modbus RTU

F118 – SPECIFICATIONS

Output	4-20mA, Isolated from Ground, Scaled Pulse, Alarms
Display	
Type	High intensity reflective numeric and alphanumeric LCD, UV-resistant.
Dimensions	90 x 40mm (3.5" x 1.6").
Digits	Seven 17mm (0.67") and eleven 8mm (0.31") digits. Various symbols and measuring units.
Refresh rate	User definable: fast, 1sec, 3sec, 15sec, 30sec, off.
Option	Transflective LCD with bi-color LED-backlight, green / amber. Intensity and color selected through the keyboard. Good readings in full sunlight and darkness. Also available Intrinsically Safe.
Operating temperature	
Standard unit	-40°C to +80°C (-40°F to +176°F).
Intrinsically Safe	-40°C to +70°C (-40°F to +158°F).
Power requirements options	
	Long life Lithium battery - life-time depends upon settings and configuration - up to 5 years.
	Intrinsically Safe long life lithium battery - life-time depends upon settings and configuration - up to 5 years.
	16 - 30V DC. Power consumption max. 1 Watt.
	8 - 30V DC. Power consumption max. 0.3 Watt.
	20 - 30V DC. Power consumption max. 1 Watt.
Note	For Intrinsically Safe applications, consult the safety values in the certificate.
Terminal connections	
Type	Removable plug-in terminal strip. Wire max. 1.5mm ² and 2.5mm ²
Data protection	
Type	EEPROM backup of all settings. Backup of running totals every minute. Data retention at least 10 years.
Pass-code	Configuration settings can be pass-code protected.

RT40

Battery Powered Flowrate Totalizer



FLOMEC® LCD display RT40 battery powered flowrate totalizer is specifically designed for computing and displaying flowrates and totals from flowmeters with pulse, sine wave or frequency outputs.

The instrument displays resettable (batch) total, cumulative total and instantaneous flowrate in engineering units as programmed by the user.

MODEL CODE

RT40 = Flowrate totalizer with backlit large digit LCD, scalable pulse output

ELECTRICAL ACCESS

1 = M16 x 1.5mm female threaded conduit entry ports

FLOW INPUT TYPE

D = Digital (pulse or frequency)

POWER SUPPLY

0 = Self-powered (battery) or regulated 8-24 VDC

HOUSING TYPE

FA = Universal mount (field or panel)
- Aluminum Alloy Housing
MA = Integral meter mount - Aluminum Alloy Housing (Only order MA when retro fitting instrument to OM Series pulse meter)

MECHANICAL OPTIONS

P = Facia protector - 3mm clear polycarbonate protection plate

RT40 + 1 + D + 0 + FA + P ← (Sample Model Number)

Features and Benefits:

- ✓ Battery or external powered, 6-digit large LCD total & 8-digit cumulative totalizer, 5-digit rate display
- ✓ Robust IP66/67~NEMA 4X Aluminium field & panel mountable housing
- ✓ LCD Backlighting standard
- ✓ Scalable universal pulse or frequency inputs
- ✓ Scaled pulse output
- ✓ PIN protected programming
- ✓ Simple flow chart touch key programming
- ✓ Reverse polarity protection
- ✓ Long battery life
- ✓ Heavy duty facia protector shield
- ✓ Relay board with SPDT outputs
- ✓ Flowmeter & pipe mount kits

RT40 - SPECIFICATIONS

Displays:	Large backlit 8-digit numeric display with LCD character, 8-digit reset cumulative totalizer, 5-digit rate display
Memory:	All programmed and accumulative data is stored permanently in non-volatile memory
Temperature Range:	-4° F to +176° F (-20° C to +80° C)
Signal Input:	Pulse/frequency Input with reed switch Hall Effect, Voltage, Current & Coil
Pulse Output:	NPN transistor, Scalable (20hz, 100mA max.)
Battery Power:	Life expectancy 5 years (Unit draws about 70µA under battery). <i>Battery life reduces when rate is displayed and power is not connected.</i>
External Power:	Regulated 8-24VDC x 50mA min (Reverse polarity protected)
Configuring:	PIN protected data entry
Protection Class:	IP66/67 (NEMA 4X) 3 x M16 x 1.5 female conduit entries
K-factor Range:	Scale factor i.g. pulses/litre, gallon, etc. programmable range 0.001 - 999,999.999
Engineering Units:	Selectable Ltr, gal, m ³ , kgs, lbs (total)/sec./min./hr or day (rate)

RT12 Self-Powered Flowrate Totalizer



FLOMEC® LCD display RT12 is a fully programmable self-powered flowrate totalizer specifically designed for computing and displaying flowrates and totals from flowmeters with pulse, sine wave or frequency outputs.

The instrument displays resettable (batch) total, cumulative total and instantaneous flowrate in engineering units as programmed by the user.

MODEL CODE

RT12 = Flow rate totaliser with 4-20mA, scalable pulse & alarm outputs, dual flow inputs

ELECTRICAL ACCESS

- 1** = M20 x 1.5mm (M16 x 1.5 for Aluminium housing) female threaded conduit entry ports
- 2** = 1/2" NPT female threaded conduit entry ports (Not available on aluminium housing)

FLOW INPUT TYPE

D = Digital (pulse or frequency)

POWER SUPPLY

0 = Self-powered (battery) or regulated 8-24 VDC

HOUSING TYPE

- FM** = Universal mount (field or panel) GRN housing
- MM** = Integral meter mount - GRN housing*
- FA** = Universal mount (field or panel) aluminum alloy
- MA** = Integral meter mount - aluminum alloy*

*Only order MA/MM when retro fitting instrument to OM Series pulse meter

ELECTRICAL OPTIONS

- R** = Control Output relay board interface with two SPDT relays
- I** = I.S. Intrinsically safe to Exia IIB T4 - IECEX & ATEX approved

MECHANICAL OPTIONS

P = Facia protector - 3mm clear polycarbonate protection plate (FA, MA only)

RT12+ 1 + D + 0 + MA + I + P ← (Sample Model Number)

Features and Benefits:

- ✓ Self or external powered, 8-digit LCD total & 8-digit cumulative totalizer, 5-digit rate display
- ✓ Robust IP66/67~NEMA 4X universal mount
- ✓ Aluminium/GRN field & panel mountable housing
- ✓ Scaled pulse, 4-20mA (Loop Powered) Output, Dual flow inputs (A+B, A-B, A÷B), multi point linearization of flow input or frequency inputs
- ✓ High & low flow alarms & Low Frequency cutoff
- ✓ PIN protected programming
- ✓ Simple flow chart touch key programming
- ✓ Reverse polarity protection
- ✓ Non volatile memory, Long battery life
- ✓ Relay board with SPDT outputs (Optional)
- ✓ Optional Intrinsically safe version to Exia IIB T4 version (IECEX & ATEX approved) FM, MM only

RT12 - SPECIFICATIONS

Displays:	Large backlit 8-digit numeric display with LCD character, 8-digit reset cumulative totalizer, 5-digit rate display
Memory:	All programmed and accumulative data is stored permanently in non-volatile memory
Temperature Range:	-4° F to +176° F (-20° C to +80° C)
Signal Input:	Pulse/frequency Input with reed switch Hall Effect, Voltage, Current & Coil, dual inputs (A+B, A-B, A÷B)
Pulse Output:	NPN transistor, Scalable (20hz, 100mA max.)
Rate Outputs:	4-20mA into 750 ohms@24Vdc, NPN/PNP solid state & relay options
Linearisation:	10-point correction
Intrinsic Safe Option:	Exia IIB T4 (IECEX / ATEX)
Battery Power:	Life expectancy 5 years (Unit draws about 70µA under battery). <i>Battery life reduces when rate is displayed and power is not connected.</i>
External Power:	Regulated 8-24VDC x 50mA min (Reverse polarity protected)
Configuring:	PIN protected data entry
Protection Class:	IP66/67 (NEMA 4X) 3 x M16 x 1.5 female conduit entries
K-factor Range:	Scale factor i.g. pulses/litre, gallon, etc. programmable range 0.001 - 999,999.999
Engineering Units:	Selectable Ltr, gal, m ³ , kgs, lbs (total)/sec./min./hr or day (rate)

EB10 Series Batch Controller



The EB10 Ecobatch is a fully programmable high speed batch controller specifically designed to operate with common pulse producing flowmeters such as positive displacement, turbine, mass, vortex or magnetic style.

The instrument displays batch value, batch progress & cumulative total in engineering units as programmed by the user, it also logs the total number of batches performed and total volume dispensed.

EB10 scrolls messages to prompt the user at each stage of operation. Batch limiting and no-flow detection are "safeguards" against erroneously high batch entries, loss of the flow input signal or control valve or pump failure.

Features and Benefits:

- ✓ Large 8 digit batch & cumulative total LCD
- ✓ Robust IP66/67 universal mount or DIN panel mount version
- ✓ Simple programming
- ✓ PIN protected programming
- ✓ Scaleable flow inputs
- ✓ Two stage control
- ✓ Automatic overrun compensation
- ✓ Missing pulse (no flow) alarm
- ✓ Maximum batch size limiting
- ✓ Non volatile memory
- ✓ Multiple batcher interlock function
- ✓ Remote Run, Stop, batch set, etc

MODEL CODE

EB10 = Single & two stage high speed batch controller
(cumulative & batch totals)

INPUT TYPE

D = Digital (pulse or frequency)

POWER SUPPLY

0 = 12-24 VDC, 50mA (FM, MM, FA, MA only)

1 = 95-135Vac DIN only

2 = 190-260Vac DIN only

HOUSING TYPE

FM = Universal mount (field or panel) GRN housing

MM = Integral meter mount - GRN housing*

FA = Universal mount (field, surface, pipe, wall, stem or panel mount)

MA = Integral meter mount

PM = DIN panel mount 91 x 91mm (3.6 x 3.6") cut out

FE = DIN mount field enclosure IP66 (NEMA 4x)

EB10 + D + 0 + FA ← (Sample Model Number)

EB10 - SPECIFICATIONS

Liquid crystal display (LCD):	9mm high alpha numeric characters + subscripts
Batch & Accumulated Totals:	8-digit, programmable to 3 decimal places
Engineering Units Displayed:	Litres, gallons, m3, lbs, kgs or nil eng. units displayed
Input Types (Pulse & Frequency):	Reed switch, open collector, coil (15mV P-P min.), current, voltage, namur & other proximities. Max. frequency 10Khz
Input Scaling Range:	0.001-9,999,999.999 with 3 floating decimal points
Control Outputs:	(Field Mount) Two 1A NPN open collectors, 24Vdc max. (Panel Mount) Two SPDT 5A relays (with DIN versions)
Alarm output (No flow alarm):	1A open collector (NPN/PNP selectable), 24Vdc max.
Operating Temperature:	-10 to +80°C (14 to 176°F), refer to factory for higher/lower temp.
Power Requirements:	12-24Vdc, 50mA, 95-260Vac (DIN version)
Status Interlocks:	Batch status output, batch inhibit input, network looping
Enclosures:	IP66/67 (NEMA 4X) GRN field mount or DIN panel mount
Mounting:	Meter mount, wall, surface, pipe or panel mount
Batching Systems Example	Ecobatch with flowmeter & control valve eg: UM020 system 1-70 L/min, 10 bar, 90°C (0.3-18 Usgpm, 145psi, 195°F)

Chart of Approximate Viscosities of Common Liquids

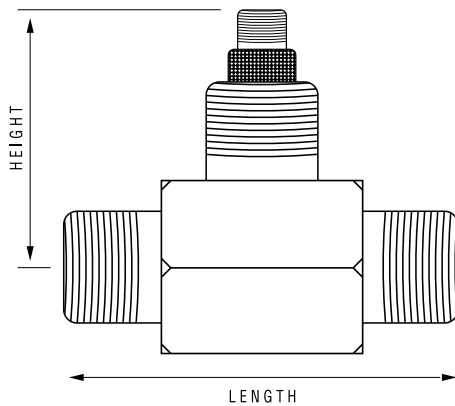
Liquid	Viscosity in Centipoise @ 70°F	S S U Approximate
Sulfuric Acid	0.2	
Methyl Ethyl Ketone	0.4	
Water	1	
Milk	3	
Oil – Crude	15	80
Ethylene Glycol	16	80
Oil – Auto SAE 10	65	310
Oil – Corn	72	350
Oil – Auto SAE 20	125	585
Oil – Auto SAE 30	200	980
Varnish – Spar	420	2,050
Oil – Auto SAE 60	1,000	4,600
Honey	3,000	14,500
Ink	45,000	
Vaseline Petroleum Jelly	64,000	
Corn Syrup	110,000	

Component Materials

GPI offers Component Materials to assist with chemical compatibility. In some cases, trade names may be more common than the generic name. The cross reference chart here provides the generic material name and the corresponding trade name.

Generic Material Name	Trade Name
Acetal	Celcon or Delrin
Buna-N, NBR or Nitrile	Chemivic or Krynac
EPDM	Epcar
FKM or fluorocarbon	Fluorel or Viton
Nylon or polyamide	Zytel
PBT polyester	Valox
PEEK	Victrex
Perfluoroelastomer	Kalrez
Perfluoroelastomer	Chemraz
PET polyester	Rynite
Polyester film	Mylar
PPS	Ryton
PTFE	Teflon
PVDF	Kynar

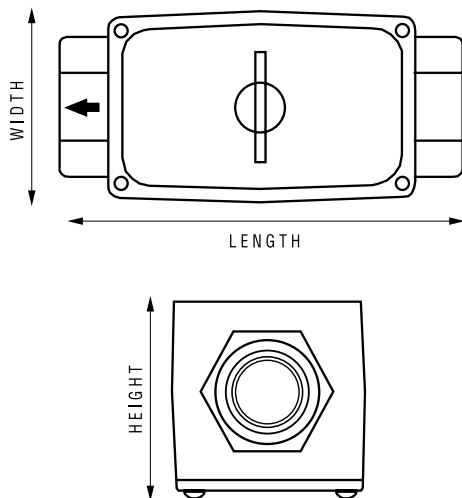
G Series Precision Meters



Size	NPT		Sanitary Clamp		Flanged*	
	Length inches (mm)	Height inches (mm)	Length inches (mm)	Height inches (mm)	Length inches (mm)	Height inches (mm)
1/2 in.	2.75 (70)	2.56 (65)	2.75 (70)	2.56 (65)	—	—
3/4 in.	3.25 (82)	2.62 (66)	3.25 (82)	2.62 (66)	5.50 (140)	2.00 (51)
1 in.	3.56 (90)	2.75 (70)	3.56 (90)	2.75 (70)	5.50 (140)	2.12 (54)
1-1/2 in.	4.59 (116)	3.00 (76)	4.59 (116)	3.00 (76)	6.00 (152)	2.50 (63)
2 in.	6.06 (154)	3.25 (82)	6.06 (154)	3.25 (82)	6.50 (165)	3.00 (76)
3 in.	10.00 (254)	3.50 (89)	—	—	10.00 (254)	3.75 (95)

* Height on flange meters, measures from center line to top of flange.

G2 Series Industrial Grade Meters

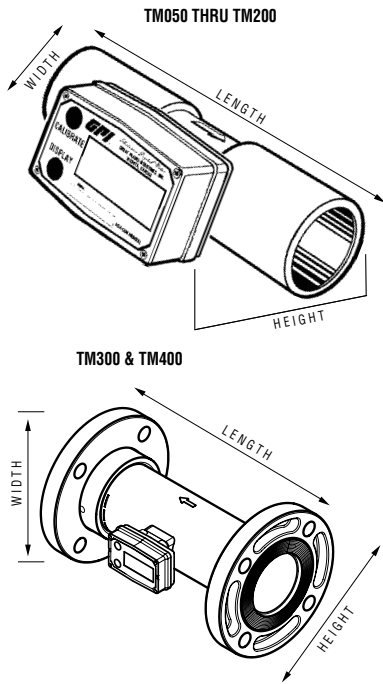


Model	Length inches (mm)	Height inches (mm)	Width inches (mm)	Model	Length inches (mm)	Height inches (mm)	Width inches (mm)
A05	4.2 (107)	1.8 (46)	2.0 (51)	H20	6.3 (160)	3.2 (81)	3.3 (84)
A07	4.3 (109)	2.0 (51)	2.0 (51)	P05	7.3 (185)	3.2 (81)	2.1 (53)
A10	4.5 (114)	2.2 (56)	2.0 (51)	P10	8.1 (206)	3.3 (84)	2.8 (71)
A15	5.3 (135)	2.8 (71)	2.7 (68)	S05	4.2 (107)	1.8 (46)	2.0 (51)
A20	6.3 (160)	3.2 (81)	3.3 (84)	S07	4.3 (109)	2.0 (51)	2.0 (51)
B05	4.2 (107)	1.8 (46)	2.0 (51)	S10	4.5 (114)	2.2 (56)	2.0 (51)
B07	4.3 (109)	2.0 (51)	2.0 (51)	S15	5.3 (135)	2.8 (71)	2.7 (68)
B10	4.5 (114)	2.2 (56)	2.0 (51)	S20	6.3 (160)	3.2 (81)	3.3 (84)
B15	5.3 (135)	2.8 (71)	2.7 (68)	S10F	6.75 (171)	4.25 (108)	4.25 (108)
B20	6.3 (160)	3.2 (81)	3.3 (84)	S15F	8.0 (203)	5.0 (127)	5.0 (127)
C05	7.3 (185)	3.2 (81)	2.1 (53)	S20F	9.50 (241)	6.0 (152)	6.0 (152)
C10	8.1 (206)	3.3 (84)	2.8 (71)	S05T	5.0 (127)	2.0 (51)	1.8 (46)
H05	4.2 (107)	1.8 (46)	2.0 (51)	S07T	5.0 (127)	2.0 (51)	2.0 (51)
H07	4.3 (109)	2.0 (51)	2.0 (51)	S10T	5.5 (140)	2.0 (51)	2.2 (56)
H10	4.5 (114)	2.2 (56)	2.0 (51)	S15T	6.5 (165)	2.7 (68)	2.8 (71)
H15	5.3 (135)	2.8 (71)	2.7 (68)	S20T	7.0 (178)	3.3 (84)	3.2 (81)

NOTE: 09 Display adds 1.1 in. (28 mm) to height.

NOTE: Dimensions are for reference only and may vary by model.

TM Meters

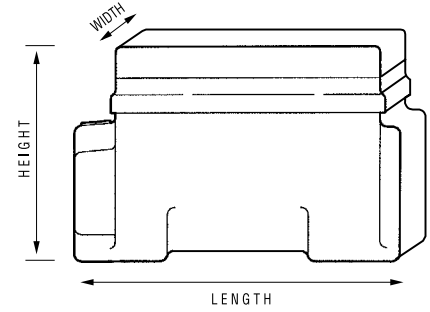


Model	Length* inches (mm)	Height** inches (mm)	Width inches (mm)
TM050	3.8 (96)	2.6 (66)	2.0 (51)
TM050-N	5.8 (147)	2.6 (66)	2.0 (51)
TM075	3.8 (96)	2.7 (68)	2.0 (51)
TM075-N	5.8 (147)	2.7 (68)	2.0 (51)
TM100	4.1 (104)	3.1 (79)	2.0 (51)
TM100-N	6.1 (155)	3.1 (79)	2.0 (51)
TM150	5.4 (137)	3.7 (94)	2.1 (53)
TM150-N	7.4 (188)	3.7 (94)	2.1 (53)
TM200	5.5 (140)	4.2 (107)	2.4 (61)
TM200-N	7.5 (190)	4.2 (107)	2.4 (61)
TM300 (Spigot)	11.5 (292)	5.34 (136)	3.5 (89)
TM400 (Spigot)	13.5 (343)	6.34 (161)	4.5 (114)
TM300 (NPT)	14.7 (373)	5.78 (147)	4.37 (111)
TM400 (NPT)	17.0 (432)	6.76 (172)	5.34 (136)
TM300 (Flange)	12.0 (305)	7.5 (190)	7.5 (190)
TM400 (Flange)	14.0 (356)	9.0 (229)	9.0 (229)

* Length guidelines are estimates; actual length can vary up to $\pm 1/2$ ".

** Computer display adds 1.1 in. (28 mm) to height.

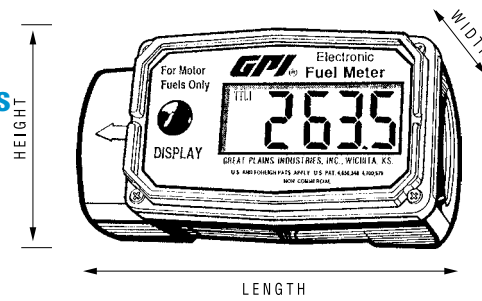
A1 Series Meters



Model	Length inches (mm)	Height inches (mm)	Width inches (mm)
A025	4.0 (102)	2.5 (63)	2.0 (51)
A100	4.0 (102)	2.5 (63)	2.0 (51)
A200	6.0 (152)	4.5 (114)	3.0 (76)
N025	4.0 (102)	2.5 (63)	2.0 (51)
N100	4.0 (102)	2.5 (63)	2.0 (51)

Economy Meter

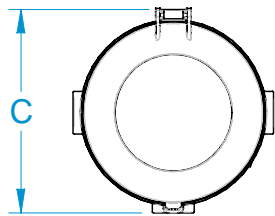
01 Series



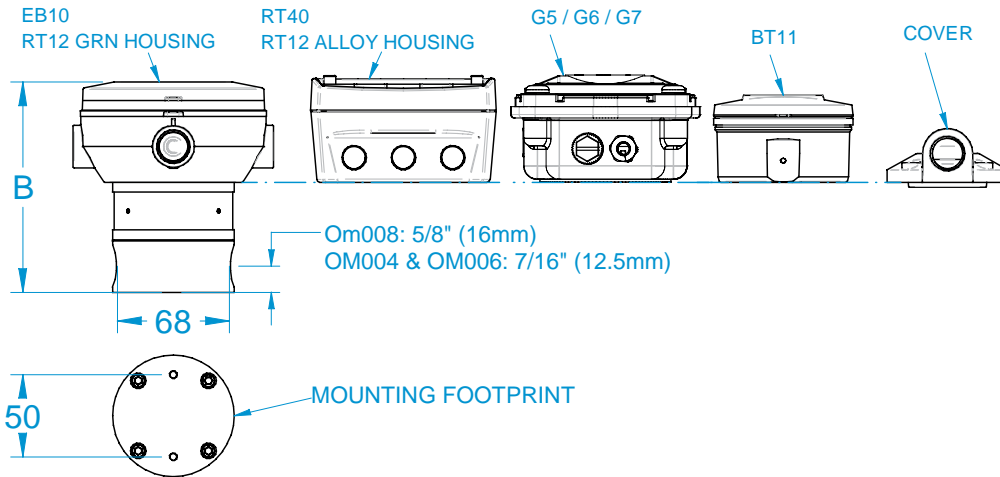
Model	Length inches (mm)	Height inches (mm)	Width inches (mm)
01A	4.0 (102)	2.5 (63)	2.0 (51)
01N	4.0 (102)	2.5 (63)	2.0 (51)

OM Series Oval Gear Meters

All dimensions are inches ± .079 (millimeters ±2mm)

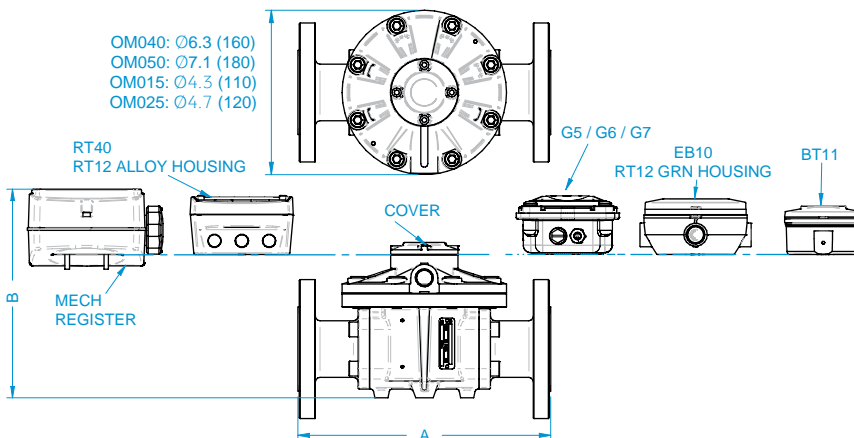


OPTION	B			C
	OM004	OM006	OM008	
EB10 / RT12 GRN HOUSING	4.8 / 122	4.8 / 122	5.0 / 129	4.9 / 124
RT40 / RT12 ALLOY HOUSING, G5 / G6 / G7	4.9 / 125	4.9 / 125	5.2 / 132	3.8 / 96
BT	4.4 / 113	4.4 / 113	4.7 / 120	3.7 / 94
COVER	3.6 / 92	3.6 / 92	3.9 / 99	2.8 / 72



All dimensions are inches ± .079 (millimeters ±2mm)

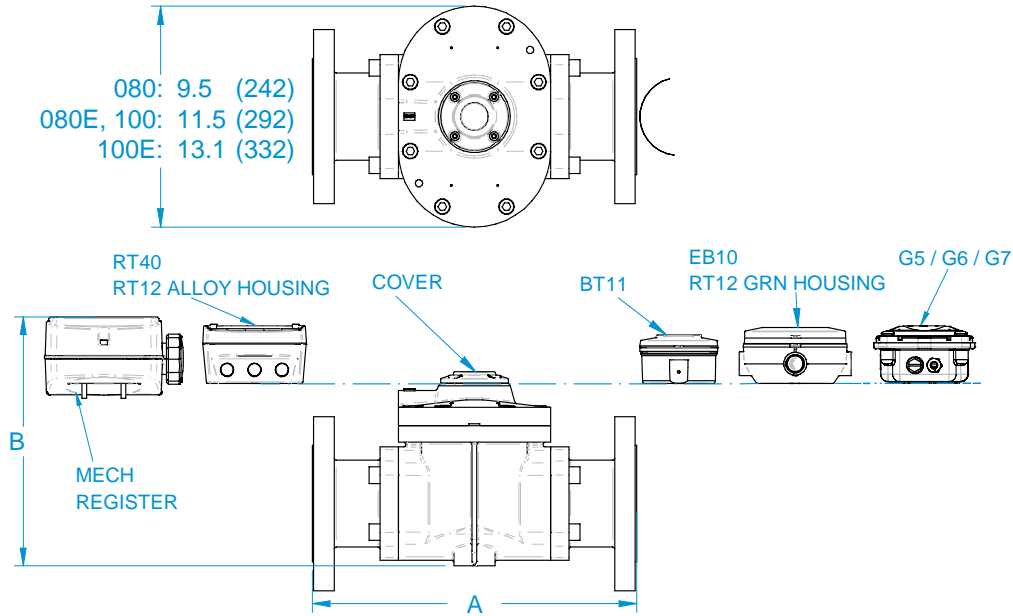
MODULAR FITTING	A						CONFIGURATION	B							
	OM015	OM025A	OM025S	OM040	OM050	OM050E		OM015A	OM015S	OM025A/P	OM025S	OM040A	OM040S	OM050	OM050E
A.N.S.I. 150 DIN16 JIS 10K	7.4 (189)	7.8 (198)	9.3 (237)	9.9 (252)	10.9 (277)	10.9 (277)	EB10/RT12 GRN Housing	6.0 (154)	5.8 (148)	6.6 (168)	6.5 (165)	7.9 (203)	7.6 (194)	8.6 (218)	10.5 (268)
							BT11 Register	5.7 (145)	5.5 (139)	6.3 (160)	6.2 (157)	7.8 (198)	7.3 (186)	8.3 (210)	10.2 (260)
							RT40/RT12 Alloy Housing, G5 / G6 / G7	6.2 (157)	5.9 (151)	6.7 (171)	6.6 (168)	8.1 (206)	7.8 (197)	8.7 (221)	10.7 (271)
B.S.P N.P.T.	4.3 (110)	5.4 (137)	6.9 (176)	7.4 (188)	8.3 (212)	8.3 (212)	Cover	4.2 (106)	3.9 (100)	4.7 (123)	4.6 (117)	6.1 (155)	5.7 (146)	6.7 (170)	8.6 (220)
							Mech. Register	7.0 (178)	6.9 (176)	7.4 (188)	8.4 (214)	8.9 (227)	8.7 (222)	9.3 (237)	11.3 (286)



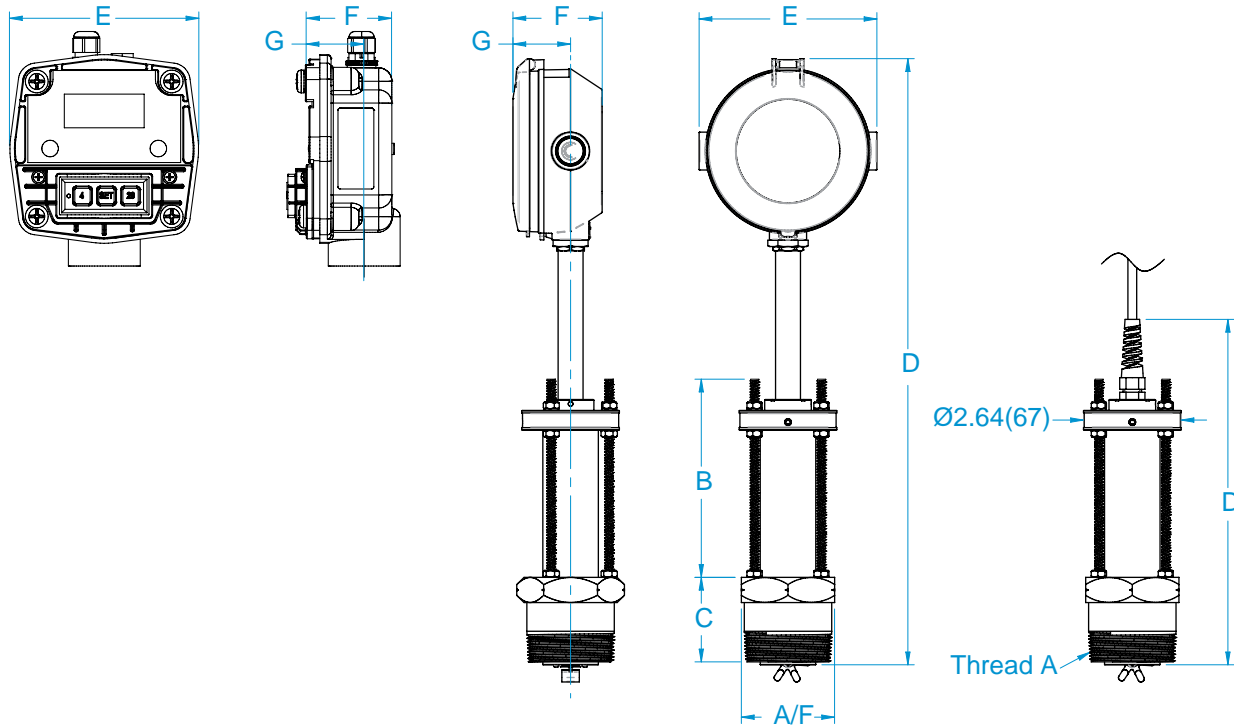
NOTE: Dimensions are for reference only and may vary by model.

All dimensions are inches ± .079 (millimeters ±2mm)

MODULAR FITTING	A				CONFIGURATION	B				
	OM080	OM080E	OM100	OM100E		OM080A	OM080S	OM080E	OM100	OM100E
A.N.S.I. 150 DIN16 JIS 10K	13.9 / 354	15.0 / 382	15.3 / 388	16.3 / 414	EBREGISTER / RT12 GRN HOUSING	10.2 / 260	10.1 / 257	10.9 / 277	12.7 / 322	15.7 / 399
					BT REGISTER	9.9 / 252	10.2 / 259	10.6 / 269	12.3 / 314	15.4 / 391
					RT40 REGISTER / RT12 ALLOY HOUSING, G5 / G6 / G7	10.3 / 264	10.2 / 260	11.0 / 281	12.8 / 326	15.8 / 403
B.S.P. N.P.T	10.5 / 266	11.6 / 294	11.6 / 294	12.6 / 320	COVER	8.4 / 213	8.1 / 206	9.0 / 229	10.7 / 274	13.9 / 352
					MECH. REGISTER	10.6 / 270	N/A	11.3 / 288	13.1 / 333	16.4 / 416



DP Insertion Impeller Meter



Overall Dimensions

CONFIGURATION	DP490	DP525	All dimensions are inches ± .08 (millimeters ±2mm)		
A	1.5" BSP/NPT	2" BSP/NPT			
B	7.79 (198)	17.48 (444)			
C	1.5 (38)	2.28 (58)			
A/F	2.38 (60)	2.5 (64)			
			DP490	DP525	DP490 / DP525
CONFIGURATION	D	D	E	F	G
Terminal Head	15.16 (385)	34.21 (869)	--	--	--
BT Register	15.51 (394)	34.65 (880)	3.35 (85)	2.09 (53)	--
RT40 Register	14.96 (380)	34.06 (865)	4.45 (113)	2.48 (63)	1.89 (48)
RT12/EB Register	16.34 (415)	35.43 (900)	4.80 (122)	2.40 (61)	--
Flying Lead	9.33 (237)	16.69 (424)	--	--	--
BT / RT12/EB Register	--	--	--	--	1.57 (40)
*GG510-DB, GX510-DB	17.54 (445-5)	36.63 (930.4)	4.2 (106.7)	2.50 (63.5)	1.7 (43.2)

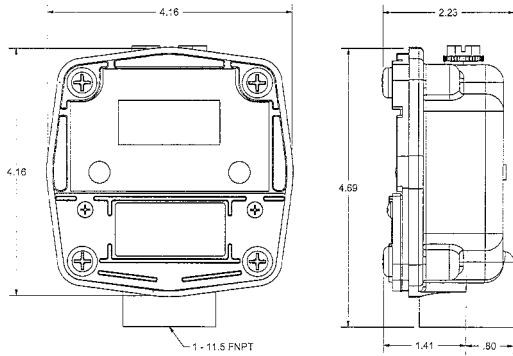
*Display Sold Separately

NOTE: Dimensions are for reference only and may vary by model.

Electronic Choice - Local & Remote

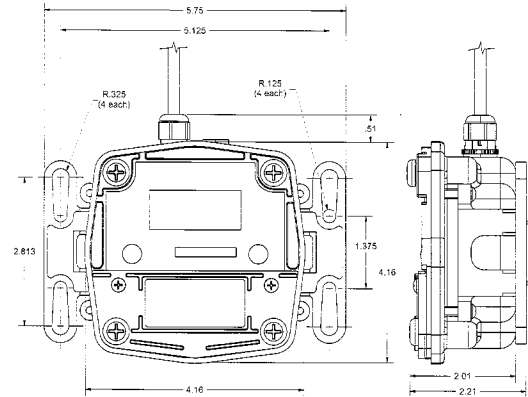
(Dimensions can vary by model.)

Local Model



Length inches (mm)	Height inches (mm)	Width inches (mm)
2.23 (57)	4.69 (119)	4.16 (106)

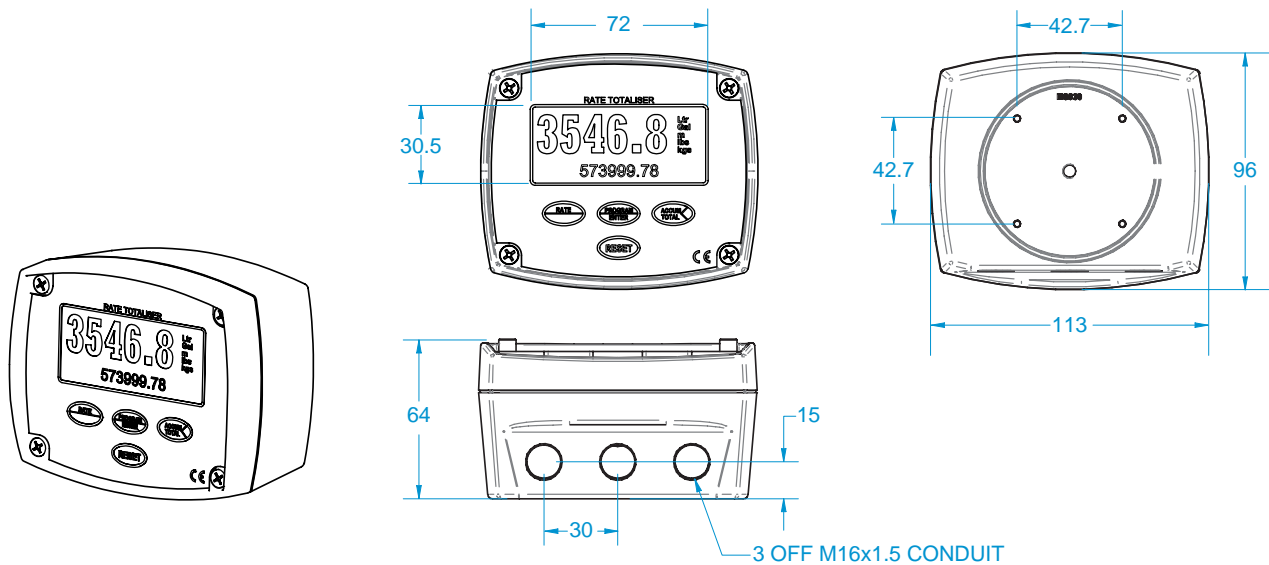
Remote Model



Length* inches (mm)	Height † inches (mm)	Width* inches (mm)
2.21 (56)	4.67 (119)	5.75 (146)

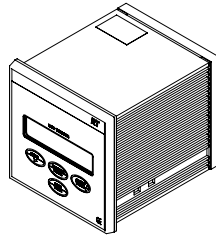
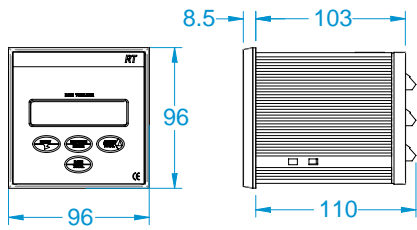
* Includes Mounting Bracket
† Includes Strain Relief

RT40 Rate Totalizer



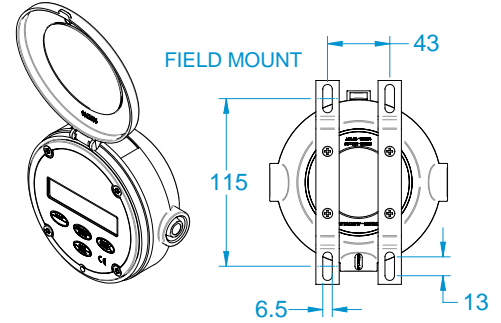
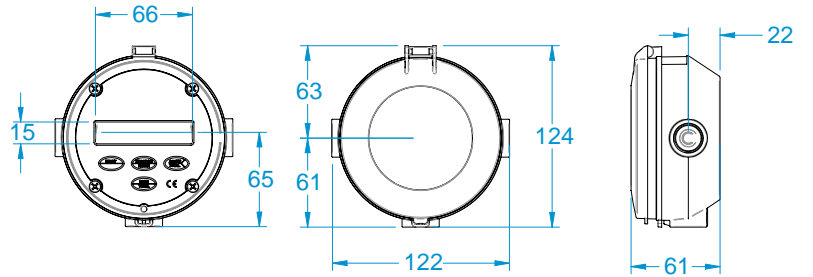
RT12 Rate Totalizer

DIN PANEL MOUNT ENCLOSURE



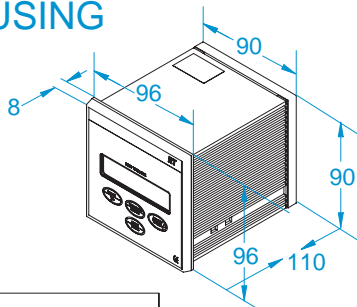
CUTOUT DIMENSIONS
91mm x 91mm

STANDARD ENCLOSURE



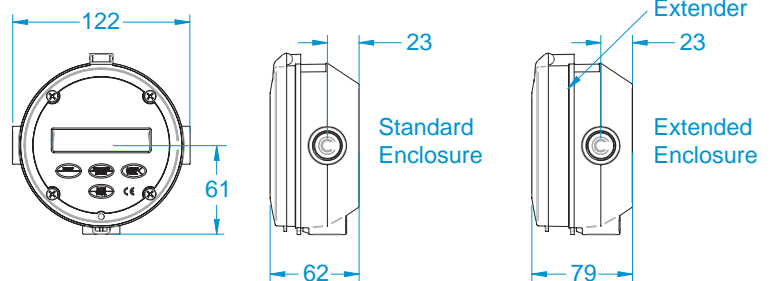
EB10

DIN PANEL MOUNT HOUSING



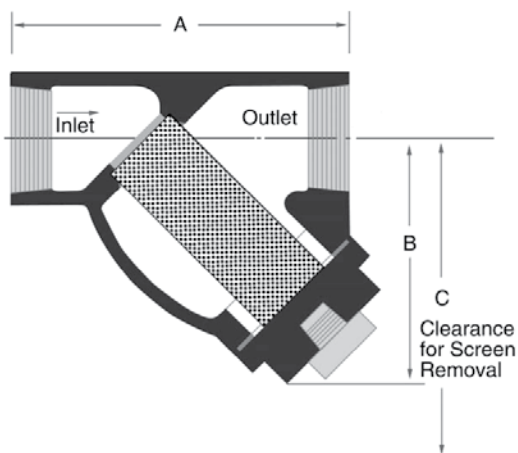
CUTOUT DIMENSIONS
91mm x 91mm

FIELD ENCLOSURES





Oval Gear Meters work best with clean fluid, free of debris. GPI carries Y Strainers to fit most models of Oval Gear Meters. These strainers range from 1/4 in. to 2 in. models. All sizes come complete with blow-off and plug.



Select Your Strainer Size:

1/4 inch 1/2 inch 3/4 inch 1 inch
1-1/4 inch 1-1/2 inch 2 inch

Features and Benefits:

- ✓ Machined, tapered seat ensures a perfect fit for the removable, 316 Stainless Steel screen.
- ✓ 316 Stainless Steel body and all screens are 316 Stainless Steel.
- ✓ All sizes come complete with blow-off and plug. These can be replaced with ball valve for on-line blow-down of particulate.
- ✓ Rated for up to 1480 PSI at 100° F for water, oil or gas.
- ✓ Female NPT threads.

Y STRAINER – SPECIFICATIONS

Blow-off Fitting:	1/4 inch:	1/4" NPT
	1/2 inch:	1/4" NPT
	3/4 inch:	1/4" NPT
	1 inch:	1/2" NPT
	1-1/4 inch:	1/2" NPT
	1-1/2 inch:	1/2" NPT
	2 inch:	1/2" NPT
Screen Standard:	1/4 inch:	200 mesh
	1/2 inch:	60 mesh
	3/4 inch:	60 mesh
	1 inch:	60 mesh
	1-1/4 inch:	60 mesh
	1-1/2 inch:	60 mesh
	2 inch:	60 mesh
Screen Opening (inch):	1/4 inch:	0.011"
	1/2 inch:	0.032"
	3/4 inch:	0.032"
	1 inch:	0.032"
	1-1/4 inch:	0.032"
	1-1/2 inch:	0.032"
	2 inch:	0.032"
Shipping Weight:	1/4 inch:	4 lbs.
	1/2 inch:	4 lbs.
	3/4 inch:	5 lbs.
	1 inch:	6 lbs.
	1-1/4 inch:	8 lbs.
	1-1/2 inch:	10 lbs.
	2 inch:	18 lbs.

PART NUMBERS & DIMENSIONS

Part Number	Size	A	B	C
125700-01	1/4 inch:	3-1/4"	2-3/16"	3"
125700-02	1/2 inch:	3-1/4"	2-3/16"	3"
125700-03	3/4 inch:	3-5/8"	2-3/4"	3-1/4"
125700-04	1 inch:	4-1/4"	3-3/16"	4-1/8"
125700-05	1-1/4 inch:	5-1/4"	3-7/8"	5"
125700-06	1-1/2 inch:	6-1/4"	4-3/4"	5-7/8"
125700-07	2 inch:	7-5/8"	6"	8-1/8"

Chemical Compatibility Guide for GPI Flowmeters

R = Recommended
N = Not Recommended
X = Unknown or Not Applicable

	Metals						Plastics							Journals, Shafts					O-Rings						
	Bronze	Aluminum	Brass	304 SS	316 SS	CD4MCu	PVC	PBT Polyester (Valox)	Nylon 6,6	Acetal (Delrin)	PPS (Ryton)	PVDF (Kynar)	Rulon 641	PEEK	Carbon - Graphite	Ceramic / Sapphire	Tungsten Carbide	Ferrite (MnZn)	Hastelloy-C	FKM/Fluorocarbon (Viton)	PTFE (Teflon)	EPDM	Buna-N (Nitrile)	Perfluoroelastomer (FFKM)	
Acetic Acid	N	R	N	N	R	R	N	X	N	N	R	N	R	R	R	R	N	X	R	R	R	R	N	R	
Acetone	R	R	R	R	R	R	N	N	R	R	R	N	R	R	R	R	R	R	R	R	N	R	R	N	R
Alcohols: Isobutyl	R	R	X	R	R	R	R	X	X	R	X	X	R	R	R	R	R	X	R	R	R	R	R	R	R
Alcohols: Isopropyl	R	R	X	R	R	R	R	R	R	R	X	X	R	R	R	R	R	R	R	R	R	R	R	R	R
Alcohols: Methyl	R	R	R	R	R	R	R	X	R	R	R	R	R	R	R	R	R	R	R	R	N	R	R	R	R
Ammonia, Anhydrous	N	R	N	R	R	R	R	X	X	N	R	R	R	R	X	R	R	X	R	N	R	R	R	R	R
Ammonia, Liquid	N	R	X	R	R	R	R	X	R	N	R	R	R	R	R	R	R	X	R	N	R	R	N	R	
Ammonium Hydroxide	N	R	N	R	R	R	R	N	N	N	R	R	R	R	R	R	N	R	R	R	R	R	N	R	
Antifreeze	R	R	X	X	R	X	R	X	X	N	X	X	X	R	X	R	R	R	X	R	X	R	R	R	R
Boric Acid	R	N	X	R	R	R	R	R	R	R	R	R	R	X	R	R	R	R	R	R	R	R	R	R	R
Butyl Acetate	R	R	R	R	R	R	N	R	R	R	R	R	R	R	R	R	R	R	R	N	R	R	N	R	
Calcium Chloride	R	N	X	N	R	R	N	X	R	N	R	R	R	R	R	R	R	R	R	R	R	R	R	R	R
Calcium Hypochlorite	N	N	X	N	R	R	R	X	X	N	R	R	R	R	R	R	N	R	R	R	R	R	N	R	R
Carbon Tetrachloride (wet)	R	N	R	R	R	R	X	X	X	R	R	R	R	X	R	R	X	X	R	X	R	N	N	R	R
Carbonic Acid	R	R	N	R	R	R	R	X	R	R	R	R	R	R	R	R	R	X	R	R	R	R	N	R	R
Chlorine Water	R	N	N	N	N	R	R	X	N	N	N	R	R	N	R	X	R	R	R	R	R	N	N	R	R
Chlorine, Anhydrous Liquid	N	N	N	N	N	N	N	X	X	R	N	R	R	N	R	N	X	N	N	R	R	R	N	R	R
Clorox® Bleach (Sodium Hypochlorite)	X	N	X	R	R	R	R	R	N	N	N	R	R	R	X	R	N	X	R	R	R	R	N	R	R
Detergents	R	R	X	R	R	R	R	R	R	R	R	R	R	R	R	R	X	R	R	R	R	R	R	R	R
Diesel Fuel	R	R	R	R	R	R	R	R	R	R	R	R	R	R	R	R	R	R	R	R	R	R	N	R	R
Ethanol	R	R	R	R	R	R	N	X	R	R	X	X	R	R	R	R	R	X	R	R	R	R	N	R	R
Ethylene Dichloride	N	R	R	R	R	R	N	X	X	R	R	R	R	R	R	R	R	X	R	R	R	N	N	R	R
Ethylene Glycol	R	R	R	R	R	R	R	R	R	R	R	R	R	R	R	R	R	R	R	R	R	R	R	R	R
Ferric Chloride	N	N	N	N	N	R	R	X	N	N	R	R	R	R	R	R	N	X	R	R	R	R	R	R	R
Freon 113	X	X	X	X	X	R	R	X	X	R	R	R	R	R	X	R	R	R	R	R	R	N	R	R	R
Fuel Oils (#1 and #2)	R	R	R	R	R	R	R	R	R	R	R	R	R	R	R	R	R	X	R	R	R	N	R	R	R
Gasoline, Unleaded	R	R	X	R	R	R	N	R	R	R	R	R	R	R	R	R	R	R	R	R	R	N	R	R	R
Heptane	R	R	R	R	R	R	N	X	X	R	R	R	R	R	R	R	R	X	R	R	R	N	R	R	R
Hydraulic Oil (Petro)	R	R	R	R	R	R	R	R	X	R	N	R	R	R	R	R	R	R	R	R	R	N	R	R	R
Hydraulic Oil (Synthetic)	R	R	R	R	R	R	R	R	X	X	X	R	R	R	R	R	R	R	R	R	R	R	N	R	R
Hydrochloric Acid 20%	N	N	X	N	N	R	R	R	N	N	N	R	R	N	R	N	N	R	R	R	R	N	X	R	R
Hydrochloric Acid 37%	N	N	X	N	N	R	R	X	N	N	N	R	R	R	R	N	N	R	R	R	R	R	R	R	R
Hydrochloric Acid 100%	N	N	N	N	N	R	N	N	N	N	N	R	R	R	R	R	N	R	R	R	R	N	N	R	R
Hydrofluoric Acid 20%	R	N	X	N	N	R	R	R	N	N	R	R	R	N	X	N	N	R	R	R	R	N	N	R	R
Hydrofluoric Acid 100%	R	N	X	R	R	R	N	N	N	N	N	R	R	N	R	N	N	R	R	R	R	N	N	R	R
Hydrogen Peroxide 10%	R	R	X	R	R	R	R	R	N	N	R	R	R	R	N	R	N	R	R	R	R	R	N	R	R
Hydrogen Peroxide 30%	R	R	X	R	R	R	R	X	N	N	R	R	R	R	N	X	N	R	R	R	R	R	N	R	R
Hydrogen Peroxide 100%	R	R	N	R	R	R	R	X	N	N	N	R	R	R	N	X	N	R	R	R	R	N	N	R	R
Isopropyl Acetate	R	N	X	N	R	R	N	X	X	N	X	N	R	R	R	R	R	X	R	N	R	R	N	R	R
Kerosene	R	R	R	R	R	R	R	R	R	R	R	R	R	R	R	R	R	R	R	R	R	N	R	R	R
Ketones	R	R	X	R	R	R	N	X	X	N	R	N	R	R	R	R	R	X	R	N	R	R	N	R	R

Chemical Compatibility Guide for GPI Flowmeters

R = Recommended

N = Not Recommended







X = Unknown or Not Applicable

	Metals						Plastics							Journals, Shafts					O-Rings					
	Bronze	Aluminum	Brass	304 SS	316 SS	CD4MCu	PVC	PBT Polyester (Valox)	Nylon 6,6	Acetal (Delrin)	PPS (Ryton)	PVDF (Kynar)	Rulon 641	PEEK	Carbon - Graphite	Ceramic / Sapphire	Tungsten Carbide	Ferrite (MnZn)	Hastelloy-C	FKM/Fluorocarbon (Viton)	PTFE (Teflon)	EPDM	Buna-N (Nitrile)	Perfluoroelastomer (FFKM)
Lacquer Thinners	R	R	R	R	R	R	N	X	X	N	X	X	R	X	R	X	R	X	R	N	R	N	N	R
Lacquers	R	R	X	R	R	R	N	X	X	N	X	N	R	R	R	R	R	X	R	N	R	N	N	R
Lye: NaOH Sodium Hydroxide	N	N	N	R	R	N	R	X	X	N	R	N	R	R	X	R	R	X	N	R	R	R	R	R
Magnesium Hydroxide	R	N	N	R	R	R	R	X	R	R	R	R	R	R	R	R	R	X	R	R	R	R	R	R
Methanol (Methyl Alcohol)	R	R	R	R	R	R	R	X	R	R	R	R	R	R	R	R	R	R	R	N	R	R	R	R
Methyl Ethyl Ketone	R	R	R	R	R	R	N	R	R	N	R	N	R	R	R	R	X	R	R	N	R	R	N	R
Motor Oil	R	R	X	R	R	X	R	R	R	R	R	R	R	R	R	R	R	R	X	X	R	N	R	R
Nitrating Acid (> 15% H2SO4)	X	N	X	N	N	R	N	X	X	N	N	X	R	N	X	R	N	X	R	X	R	R	N	R
Nitric Acid (5-10%)	R	R	N	R	R	R	R	X	R	N	R	R	R	N	R	N	N	X	R	R	R	N	N	R
Nitric Acid (50%)	R	N	N	R	R	R	R	X	N	N	N	R	R	N	R	N	N	N	R	R	R	N	N	R
Nitric Acid (Concentrated)	R	N	N	R	R	R	R	R	N	N	N	R	R	N	N	N	N	N	R	R	R	N	N	R
Oils: Hydraulic Oil (Petro)	R	R	R	R	R	R	R	R	R	R	N	R	R	R	R	R	R	X	R	R	R	N	R	R
Oils: Mineral	R	R	R	R	R	R	R	R	R	R	R	R	R	R	R	R	R	R	R	R	R	N	R	R
Oils: Transformer	X	R	X	R	R	X	R	R	X	R	X	R	R	R	R	R	R	X	X	R	R	N	R	R
Phosphoric Acid (< 40%)	R	N	N	N	N	R	R	X	N	N	R	R	R	R	R	R	N	N	R	R	R	R	N	R
Phosphoric Acid (> 40%)	R	N	N	N	N	R	R	X	N	N	R	R	R	R	R	R	N	X	R	R	R	R	N	R
Potassium Chloride	R	N	N	R	R	R	R	R	R	R	R	R	R	R	R	R	N	X	R	R	R	R	R	R
Potassium Hydroxide (Caustic Potash)	N	N	N	R	R	R	R	N	R	R	R	R	R	R	N	N	N	R	R	R	R	R	R	R
Potassium Hypochlorite	N	N	X	N	R	R	R	X	X	X	R	R	R	X	X	N	N	X	R	X	R	R	R	R
Propane (Liquefied)	R	R	R	R	R	R	R	X	R	R	X	R	R	R	R	R	R	X	R	R	R	N	R	R
Propylene Glycol	R	R	X	R	R	R	N	R	R	R	X	X	R	R	X	R	R	R	R	R	R	R	R	R
Salt Brine (NaCl Saturated)	R	R	X	R	R	R	R	X	X	X	R	R	R	R	R	X	N	X	R	R	R	R	R	R
Sea Water	R	R	N	N	N	R	R	R	X	R	R	R	R	R	R	R	N	X	R	R	R	R	R	R
Soap Solutions	R	N	R	R	R	R	R	X	R	R	R	R	R	R	R	R	R	R	R	R	R	R	R	R
Sodium Bicarbonate	R	N	N	R	R	R	R	R	X	R	R	R	R	R	R	R	R	R	R	R	R	R	R	R
Sodium Chloride	R	N	N	R	R	R	R	R	R	R	R	R	R	R	R	R	N	R	R	R	R	R	R	R
Sodium Hydroxide (20%)	R	N	R	R	R	R	R	X	R	R	R	R	R	R	R	R	N	X	R	N	R	R	R	R
Sodium Hydroxide (50%)	N	N	N	R	R	N	R	X	R	R	R	R	R	R	X	R	N	X	N	N	R	R	R	R
Sodium Hydroxide (80%)	N	N	N	N	R	R	R	N	R	N	R	R	R	R	R	R	N	N	R	N	R	R	N	R
Sodium Hypochlorite (< 20%)	N	N	N	N	N	R	R	X	N	N	R	R	R	R	R	R	N	R	R	R	R	R	R	R
Sodium Hypochlorite (100%)	N	N	N	N	N	R	R	X	N	N	R	R	R	R	N	R	N	R	R	R	R	R	N	R
Sulfuric Acid (< 10%)	R	N	X	N	R	R	R	X	N	N	R	R	R	R	R	R	N	X	R	R	R	R	R	R
Sulfuric Acid (75-100%)	R	N	X	N	N	R	N	X	N	X	R	R	R	N	N	R	N	N	R	R	R	R	N	R
Toluene (Toluol)	R	R	R	R	R	R	N	N	R	N	R	R	R	R	R	R	R	R	R	N	R	N	N	R
Trichloroethylene	R	N	X	R	R	R	N	X	R	N	R	R	R	R	R	X	R	R	R	R	R	N	N	R
Vinegar	R	N	N	R	R	R	R	R	N	R	R	R	R	R	R	R	R	R	R	R	R	R	R	R
Water, Deionized	X	N	R	R	R	R	R	X	X	X	R	R	R	X	R	R	X	X	R	R	R	R	R	R
Water, Distilled	R	N	R	R	R	R	R	R	X	R	R	R	R	R	R	R	R	X	R	R	R	R	R	R
Water, Salt	R	N	N	R	R	R	R	X	X	R	R	R	R	R	R	R	R	X	R	R	R	R	R	R
Xylene	R	R	R	R	R	R	N	N	R	R	R	R	R	R	R	R	R	X	R	R	R	N	N	R

At Great Plains Industries, we've been building rugged, reliable, liquid flowmeters for over 35 years. The GPI Industrial Meter family includes a full line of Precision and Industrial Turbine meters plus Oval Gear meters in various materials, sizes and fitting options.

We design products to meet the needs of our customers. This includes maintaining appropriate, industry standard approvals. Approvals vary by product line and may be dependent on meter application.

The Approval symbol is listed under product specifications on individual product pages. If no approval mark is found, check the chart to the right. For details about specific "Approvals" refer to the chart.

<p>3-A</p>	<p>3-A Sanitary Standards, Inc. "Flowmeters for Milk and Milk Products, Number 28-03" for GSCPS Models and L Option Meters.</p>
<p>ATEX </p>	<p>Ex II 1 G Per 94/9/EC.</p>
<p>CE</p>	<p>Product reviewed for EMC Directive 2004/108/EC. Includes: Euro Norms 61000-6-2 (2005) and 61000-6-3 (2007) on A1 and G2 Series Meters. Note: For Oval Gear Meters, the CE Approval is applied when meter is part of a system.</p>
<p></p>	<p>Factory Mutual Approved Intrinsically Safe for Class I, II, III, Division 1, All Groups. Nonincendive for Class I, II, III, Division 2 Groups A, B, C, D, F, G.</p>
<p></p>	<p>Factory Mutual Approved Class 1, Div. 1, Group D (01A31GM Only)</p>
<p></p>	<p>Factory Mutual Approved Intrinsically safe for Class I & II, Div. 1, Groups A, B, C, D, E, F & G, T6 Ta=-40° C to 60° C hazardous locations, and for use in Class I, Zone 0 as Ex is IIC T6 Ta=-40° C to 60° C.</p>
<p>FC</p>	<p>Federal Communication Commission Industry Canada Approval Class B; digital service, part 15 of FCC Rules.</p>
<p></p>	<p>Ex ia IIC T6 Ta=60° C</p>
<p>IP44/IP54/IP66</p>	<p>Ingress Protection Code IP44 (Greater than 1 mm and splashed water); IP54 (Dust protected and splashed water); IP66 (Dust-tight and heavy seas).</p>
<p>IP/NEMA</p>	<p>Pulse versions of Oval Gear Meters have enclosure ratings that vary from IP54 / NEMA 13 to IP66 / NEMA 16 depending on the application.</p>
<p>NEMA 4</p>	<p>NEMA Requirements: Enclosure constructed for indoor or outdoor use to provide a degree of protection to personnel against incidental contact with the enclosed equipment. Protection against falling dirt, rain, sleet, snow, windblown dust, splashing or hose directed water that will be undamaged by the external formation of ice on the enclosure. <i>GPI products are tested to NEMA requirements.</i></p>
<p>RoHS</p>	<p>Restriction of Hazardous Substances Directive 2002/95/EC and 2011/65/EU</p>
<p></p>	<p>Indicates that the product was tested and has met the certification requirements for electrical, plumbing and/or mechanical products.</p>