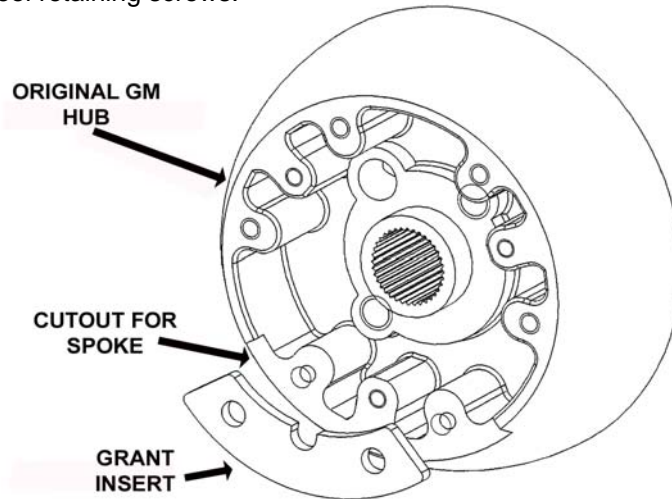




## GRANT GM DIRECT REPLACEMENT WHEELS

These wheels feature the original 6-bolt mounting pattern found on a number of 1960's and 1970's era GM vehicles. Some of the original wheels had a 2-level spoke (where the bottom spoke was actually a separate component that was spot welded to the top spoke). The *GRANT* replacement wheels have a single level spoke design. On vehicles with the original 2-level spoke wheel we have provided a small stainless steel insert to be used in the empty space behind the *GRANT* spoke (see illustration below). Attach the wheel to the original hub using the upper 4 screws but do not tighten them at this time. Slip the insert behind the *GRANT* bottom spoke (as shown below), insert the 2 screws and then tighten all the wheel retaining screws.



Form 97590-00-01