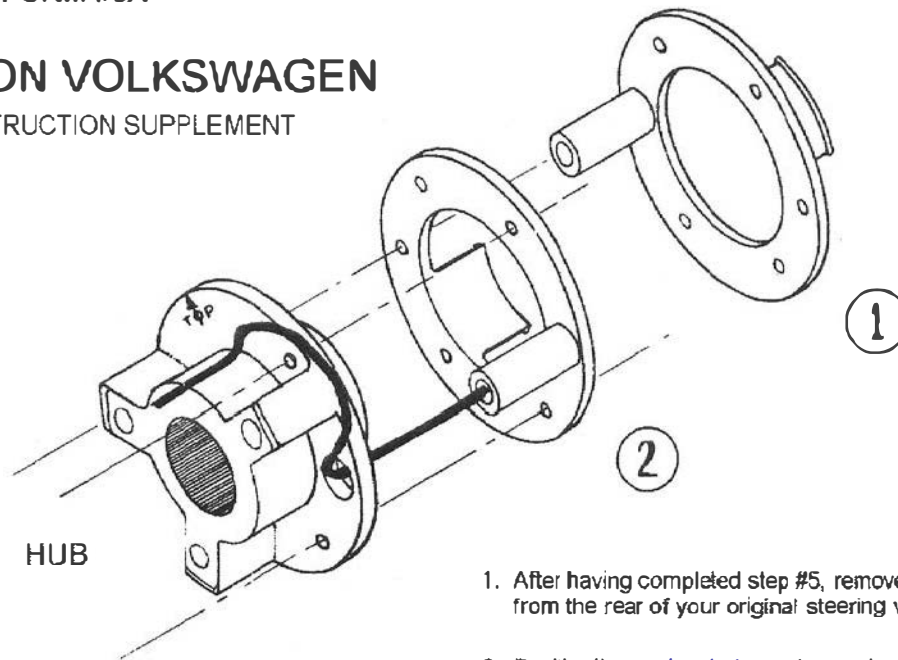


1971-ON VOLKSWAGEN INSTRUCTION SUPPLEMENT



1. After having completed step #5, remove the turn signal cam from the rear of your original steering wheel.
2. Position the [custom hub](#) as shown above
3. Install the turn signal cam on the custom hub with the special screws provided in this kit.

NOTE: The original position of the turn signal cam is shown in position **1** above. The cam should be rotated 1/2 turn as shown in position **2** and then reinstalled thru custom hub.

4. Position the wire lead as shown above.
5. Continue with instruction #13.