

INSTALLATION INSTRUCTIONS

PART #4125 / Sumatra™ 4000 SERIES SideSteps™

1999-03 FORD F150/F250 LD – 4DR SUPER CAB 2/4WD

2004 FORD F150/F250 LD HERITAGE (OLD BODY STYLE) – 4DR SUPER CAB 2/4WD

Do not attempt to install this product on any vehicle other than the one it is designed for and listed above!

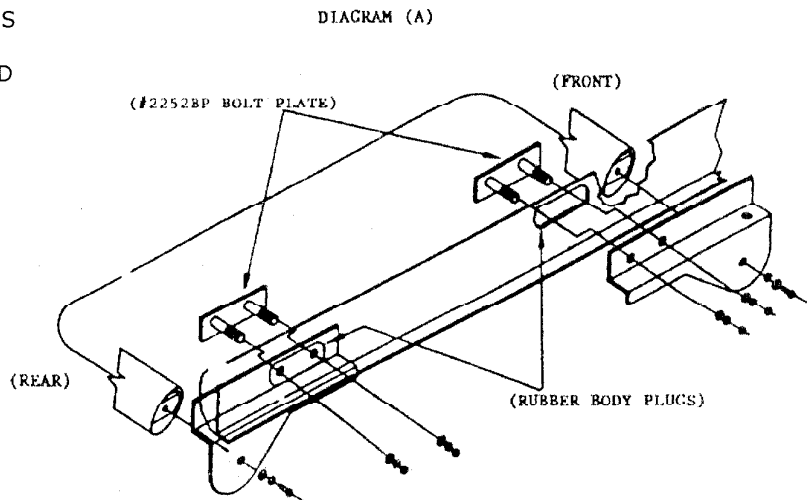
Packing List

Quantity	Description	Quantity	Description
8	3/8" FLAT WASHERS	1	4124FD FRONT MOUNT BRKT-DRIVER
8	3/8" LOCK WASHERS	1	4124FP FRONT MOUNT BRKT-PASSENGER
8	3/8" HEX NUTS	1	4124RD REAR MOUNT BRKT-DRIVER
4	1/2" X 1 1/2" HEX BOLTS	1	4124RP REAR MOUNT BRKT-PASSENGER
4	1/2" X 2 1/2" HEX BOLTS	2	4124FS FRONT SUPPORT STRAPS
12	1/2" FLAT WASHERS	1	4124RSD REAR SUPPORT STRAP-DRIVER
8	1/2" LOCK WASHERS	1	4124RSP REAR SUPPORT STRAP-PASS.
4	1/2" HEX NUTS	1	4125D SIDE STEP – DRIVER
4	2252BP BOLT PLATES	1	4125P SIDE STEP – PASSENGER

Carefully read all the instructions prior to attempting to install this product. If you are not familiar with using workshop tools or with workshop safety practices, take the product and vehicle to a skilled installer. Go Rhino! Products accept no responsibility for any damage or injuries that may result from the product(s) being incorrectly installed. Before attempting to install accessories, park the vehicle on flat level ground, apply the emergency brake and disconnect the battery. If installation requires the use of a jack or lift, use only one with the correct load rating for the vehicle, follow the manufacturer's instructions and use wheel chocks. After installation, check the operation of all lights and turn signals; periodically check all fasteners for tightness. Retighten only loose fasteners as over-tightening snug fasteners can result in breaking or stripping them. Failure to maintain tightness of fasteners could result in the product detaching itself from the vehicle and possibly jamming wheels etc. This condition could cause serious personal bodily injury.

- STEP 1.** REMOVE CONTENTS FROM SHIPPING CARTON AND CHECK PARTS WITH PARTS LISTED ABOVE.
- STEP 2.** READ INSTRUCTIONS COMPLETELY BEFORE BEGINNING INSTALLATION.
- STEP 3.** REMOVE THE OB-ROUND RUBBER BODY PLUGS OVER TWO HOLES ON EACH INSIDE FACE OF ROCKER PANEL.

STEP 4. INSTALL FRONT MOUNTING BRACKET BY PLACING ONE OF THE #2252BP BOLT PLATES THROUGH OBROUND HOLE IN ROCKER PANEL (AS SHOWN IN DIAGRAM A). POSITION 4124FD FRONT BRACKET WITH DOWNWARD SLOPING END TOWARDS FRONT OF VEHICLE. ASSEMBLE USING 3/8" FLAT WASHERS, LOCK WASHERS AND HEX NUTS. **DO NOT TIGHTEN!**

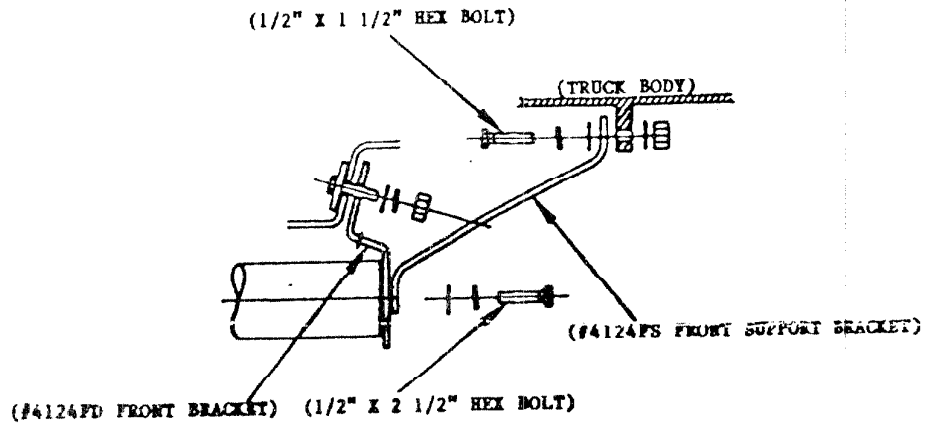


DRIVER SIDE FRONT AND REAR MOUNTING BRACKET ASSEMBLY

FOR TECHNICAL OR WARRANTY INFORMATION CALL:
GO RHINO! Products® • XtremeRack™ • QuickRack®
 591 W. Apollo St. Brea, CA 92821
 (714)257-7389 (888)427-4466 FAX(714)672-0278
www.gorhino.com • www.xtremetracks.com • www.quickrack.com

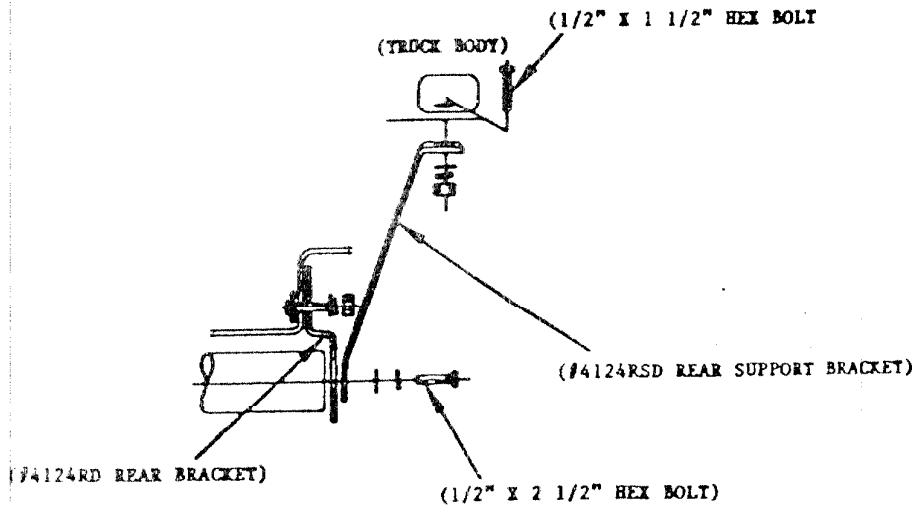
- STEP 5: INSTALL 4124RD REAR BRACKET SAME AS FRONT ONLY WITH DOWNWARD SLOPING END FACING REAR OF VEHICLE. NOTE: USE THE TWO UPPER HOLE IN BRACKET.
- STEP 6: POSITION AND ATTACH FRONT AND REAR SUPPORT STRAPS BETWEEN THE BODY AND MOUNTING BRACKETS AS SHOWN IN DIAGRAMS (B) AND (C) USING 1/2" X 1 1/2" HEX BOLTS, FLAT WASHERS AND LOCK WASHERS. DO NOT TIGHTEN.
- STEP 7: ATTACH SIDESTEP TO FRONT AND REAR MOUNTING BRACKETS USING 1/2" X 2 1/2" HEX BOLTS, FLAT WASHERS AND LOCK WASHERS. DO NOT TIGHTEN.
- STEP 8: ALIGN SIDESTEPS WITH BODY, THEN TIGHTEN AND TORQUE MOUNTING BRACKET BOLTS. (1/2" - 65 FT LBS) (3/8" - 28 FT LBS)

DIAGRAM (B)



DRIVER SIDE FRONT MOUNTING AND SUPPORT BRACKET ASSEMBLY

DIAGRAM (C)



DRIVER SIDE REAR MOUNTING AND SUPPORT BRACKET ASSEMBLY