



# INSTALLATION INSTRUCTIONS

## 4035 ( B - PS ) SIDE BAR

99 – 09 Silverado 1500 / 2500, Cheyenne Reg. Cab.

01 – 09 Silverado 2500HD / 3500, Cheyenne Reg. Cab.

### Parts List:

#### QTY

P01 (1) Sidebar set

(Driver & Passenger)

P02 (2) Front mounting brackets

P03 (2) Rear mounting brackets

(1) Hardware kit including:

T01 (4) 1/2 x 1 1/2" Hex head bolt

T02 (4) M12 x 120mm Hex head bolt

T03 (8) 1/2" Flat washer

T04 (8) 1/2" Lock washer

### Tools required:

3/4" Socket

Ratchet

18mm Socket

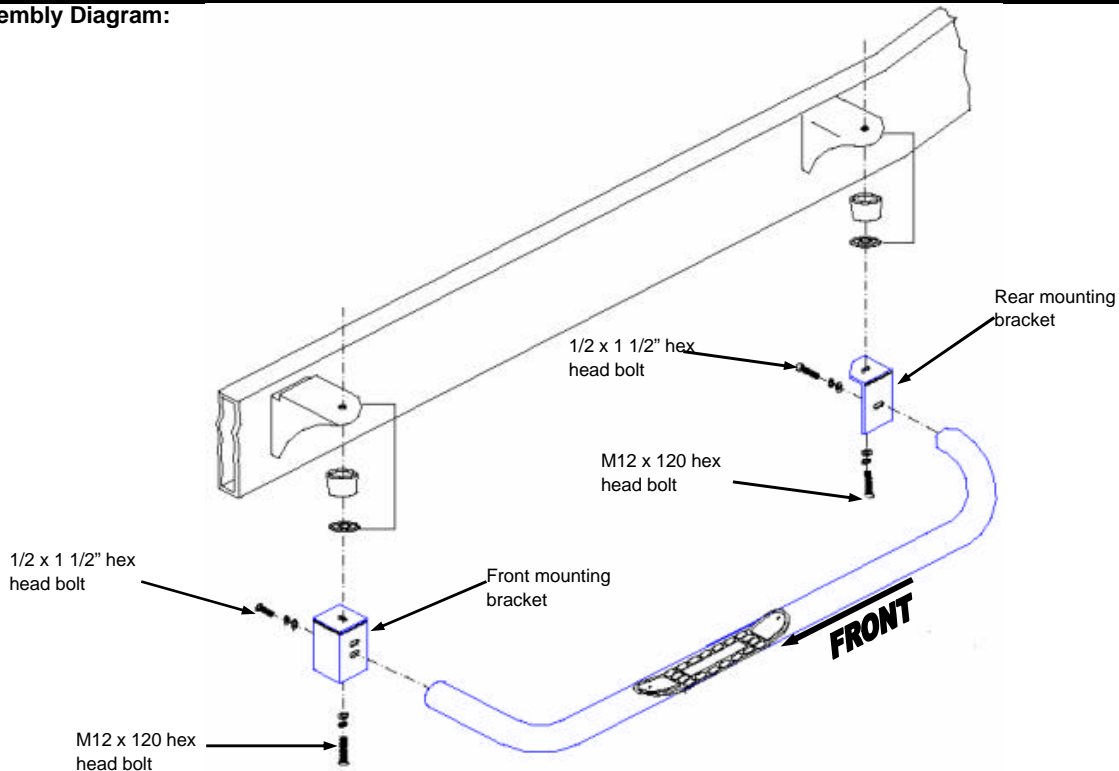
19mm Socket

**Aproximated installation time: 30 min.**

### Instructions:

1. Read and understand instructions completely before beginning installation.
2. Sidebar set consist of a driver and passenger side. Be sure to determinate the correct side before installation.
3. Remove the four applicable body mounting bolts from the vehicle. These bolts are not reused in this installation. The body steel washer plates and rubber cushions are reused between the body mount and the sidebar mounting brackets.
4. Position de mounting brackets up under the body mounts. With the original washer and rubber part ( as in the original position ), **Note:On models 99 - 04 change the original body mount bolt for the M12 x 120 mm Hex Head Bolt provided and 1/2" Flat and lock washers, on 05-06 models use the original bolts to attach the brackets.**
5. Place the sidebar up to the front and rear mounting brackets and bolt using the 1/2 x 1 1/2" hex head bolt, flat and lock washer.
6. Make any final adjustments to the alignment of the sidebar and tighten all bolts. Repeat for the opposite side.
7. You may need to periodically re-tighten the bolts.

### Assembly Diagram:



### Cleaning and care instructions:

Protect the finish with a non-abrasive automotive wax, (e.g. Pure Carnauba) on a regular basis. The use of any soap, polish, or wax that contains an abrasive is detrimental to the finish, as the compounds scratch the finish and cause corrosion.