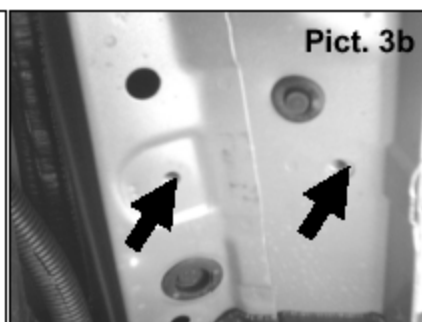
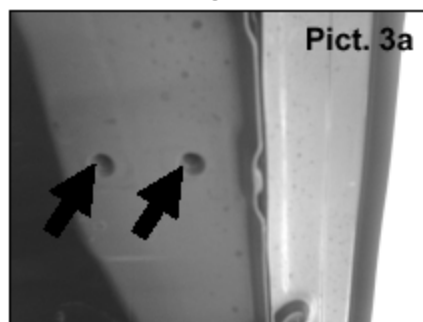
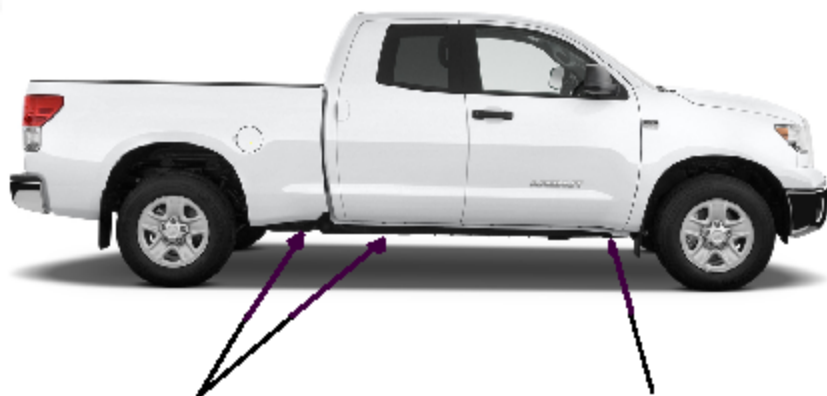


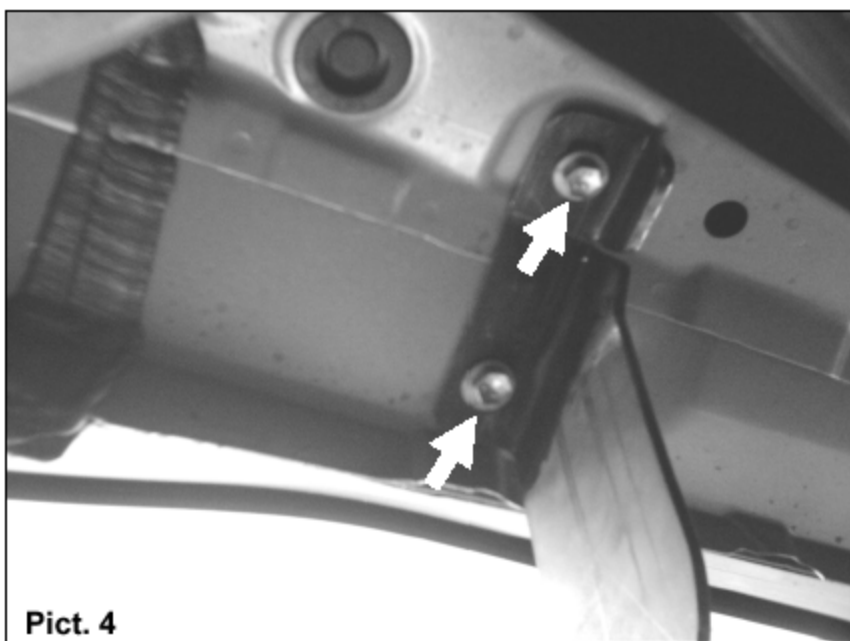
INSTALLATION INSTRUCTIONS
392895 BRACKET RUNNING BOARD 5" & 6" / OVAL 4" WIDESIDER BAR
07-10 TOYOTA TUNDRA CREW MAX

1. Before beginning the installation read all instructions carefully and verify that all hardware is accounted for. If there are any listed parts missing, please notify your distributor immediately.

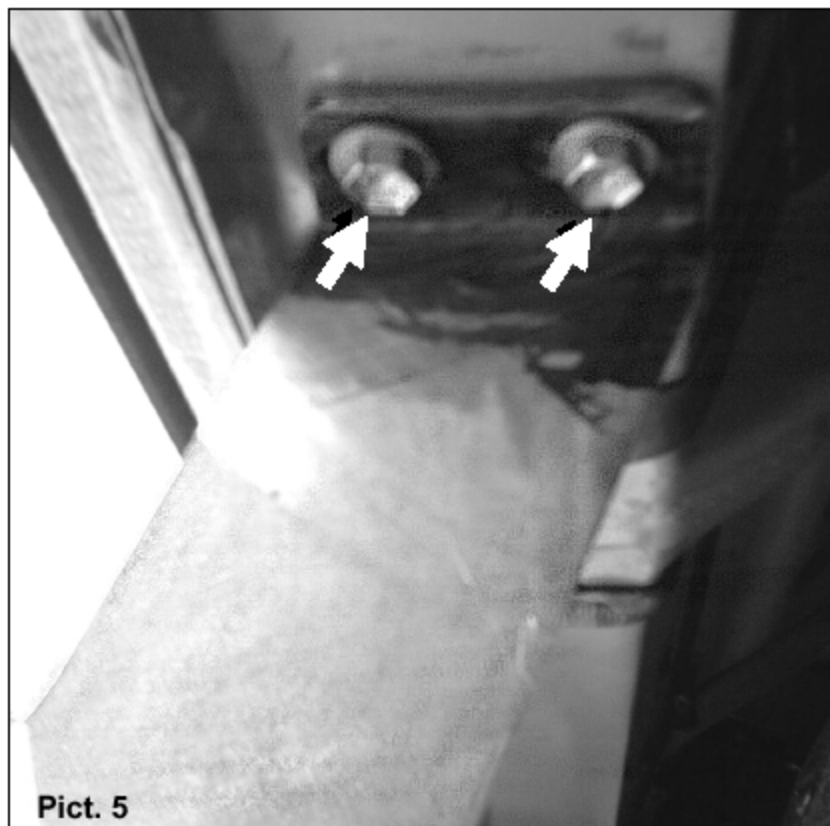
2. See pictures 3, 3a y 3b and locate the holes where the brackets are going to be installed.



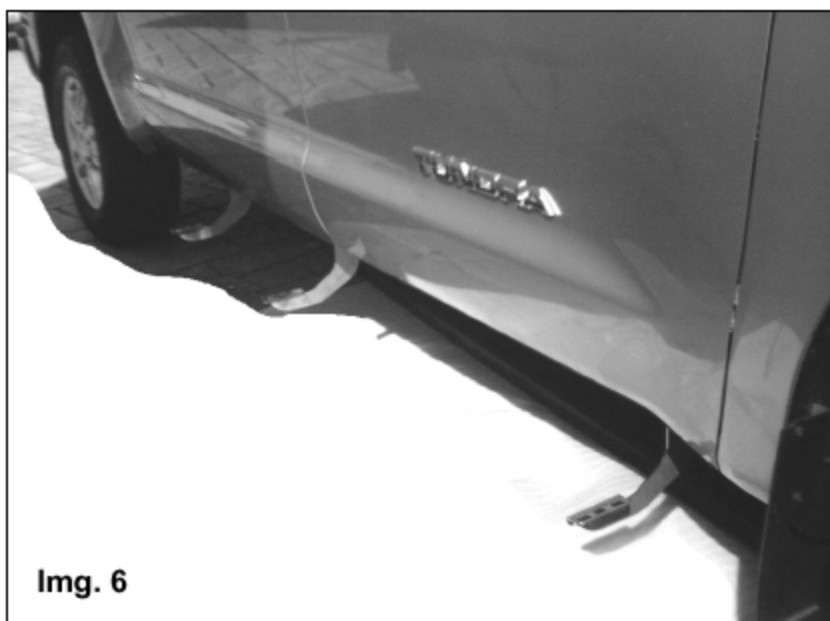
3. For the **Front bracket** install two M8x25 hex head galvanized bolts, two flat washers and two lock washers. See **Picture 4** and repeat it in the opposite side of the vehicle. Leave loose.



4. To install **middle and rear brackets** use two M8x25 hex head galvanized bolts, two flat washers and two lock washer for each bracket. See **Picture 5** and repeat it in the opposite side. Leave loose.



5. Now Proceed to install the running board / sidebar (Sold separately)



Cleaning and care instructions:

Protect the finish with a non-abrasive automotive wax, (e.g. Pure Carnauba) on a regular basis. The use of any soap, polish, or wax that contains an abrasive is detrimental to the finish, as the compounds scratch the finish and cause corrosion.

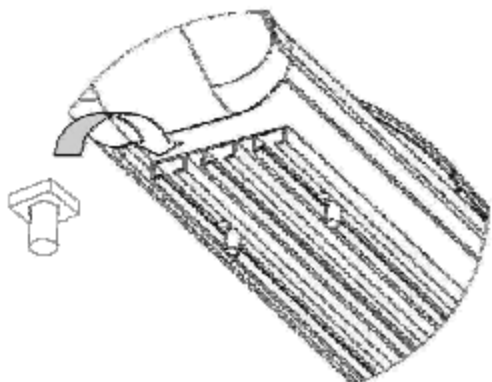
Design:

Quality:

INSTALLATION INSTRUCTIONS
392895 BRACKET RUNNING BOARD 5" & 6" / OVAL 4" WIDESIDER BAR
07-10 TOYOTA TUNDRA CREW MAX

5. To install the Running Board, place three square head per each channel that it's located on the bottom (discard middle channel) Refer to **Picture 7**.

Pict. 7



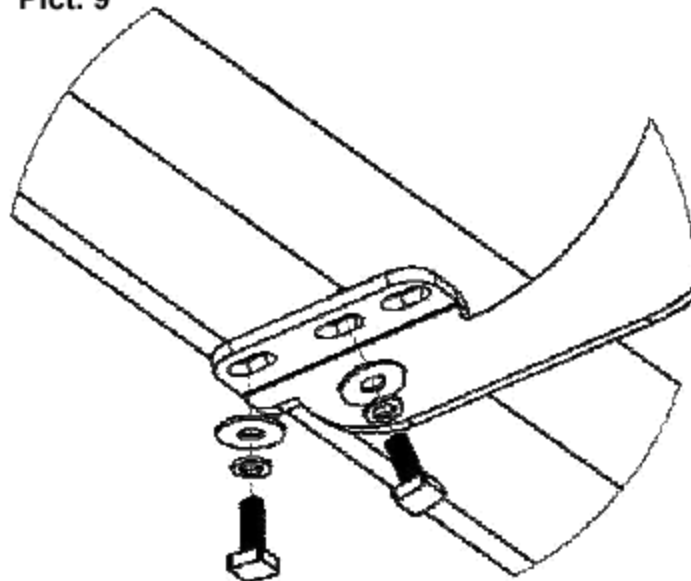
6. Place the Running Board above the brackets attach it with six 5/16" nuts, six flat washers and six lock washers, per side all in black color. See **Picture 8** and repeat in the opposite side. Leave loose.

Pict. 8



7. If you are going to Install an oval side bar use two flat washers, two lock washers and two 5/16" nuts per bracket (all hardware in black). See **Picture 9** and repeat in the opposite side. **Leave loose.**

Pict. 9



7. Align the product, and then get tighten all bolts.

8. Do not use abrasive substances to clean your product.

9. Periodically check your product because it may need a re-tighten of bolts.

10. **Fill the warranty card and place it inside your vehicle's glove box.**

Cleaning and care instructions:

Protect the finish with a non-abrasive automotive wax, (e.g. Pure Carnauba) on a regular basis. The use of any soap, polish, or wax that contains an abrasive is detrimental to the finish, as the compounds scratch the finish and cause corrosion.

Design:

Quality: