

INSTALLATION INSTRUCTIONS

BRACKET	WIDESIDER BAR 4"	WTW 4"	RUNNING BOARD 5" & 6"	APLICACION	MODEL
391695	394129	-	39087	FORD F-150 EXT. CAB.	04 - 10
	394169	-	39087	FORD F-150 CREW CAB.	04 - 08
	394269	-	39087	FORD F-150 CREW CAB.	09 - 10
	-	394326	-	FORD F-150 CREW CAB. 5.5'	09 - 10
	-	394327	-	FORD F-150 EXT. CAB. 6.5'	04 - 10
	-	394328	-	FORD F-150 CREW CAB. 5.5'	04 - 08
	64126	-	680087	FORD F-150 EXT. CAB.	04 - 10
	64150	-	680087	FORD F-150 CREW CAB.	04 - 08
	64151	-	680087	FORD F-150 CREW CAB.	09 - 10

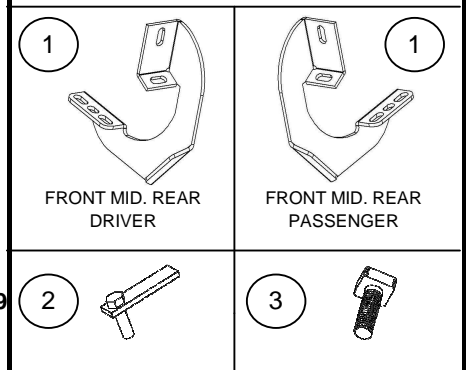
Parts List:

ITEM	QTY.	CODE	DESCRIPTION	TORQUE
1	3	391694BB	Brackets set	-
2	2	371980EA	3/8" bolt plate	30 Lb/Ft
		KTE-391695	Hardware kit including:	
3	12	-	5/16" Square head bolt	11 Lb/t
4	12	-	5/16" Flat washer	-
5	12	-	5/16" Lock washer	-
6	12	-	5/16" Hex nut	11 Lb/t
7	6	-	3/8" Clip nut	-
8	6	-	3/8 x 1 1/4" Hex head bolt	30 Lb/Ft
9	6	-	3/8 x 1 1/4" Carriage head bolt	30 Lb/Ft
10	12	-	3/8" Flat washer	-
11	12	-	3/8" Lock washer	-
12	8	-	3/8" Hex nut	30 Lb/Ft
13	2	-	Gasket vinyl	-
NOTE: 394129(9-8-6-0) / 394169(9-8-6-0) / 394269(9-8-6-0) / 394326(9-6) / 394327(9-6) / 394328(9-6) / 64126(B-C-PS-BS) / 64150(B-C-PS-BS) / 64151(B-C-PS-BS) INCLUDES:				
14	1	-	Oval 4" Widesider bar set	-

Tools required not including:

DESCRIPTION	QTY
1/2" Socket / Wrench	1
9/16" Socket / Wrench	1
Ratchet	1
Extension ratchet	1

ILUSTRACIÓN 1.



Instructions:

Approximated installation time: 30 min.

1. Before beginning the installation read all instructions thoroughly and verify that all hardware is accounted for. If there are any listed parts missing, please notify your distributor immediately.

ILLUSTRATION 2.
Running Board & Oval Side Bar
NOT INCLUDED

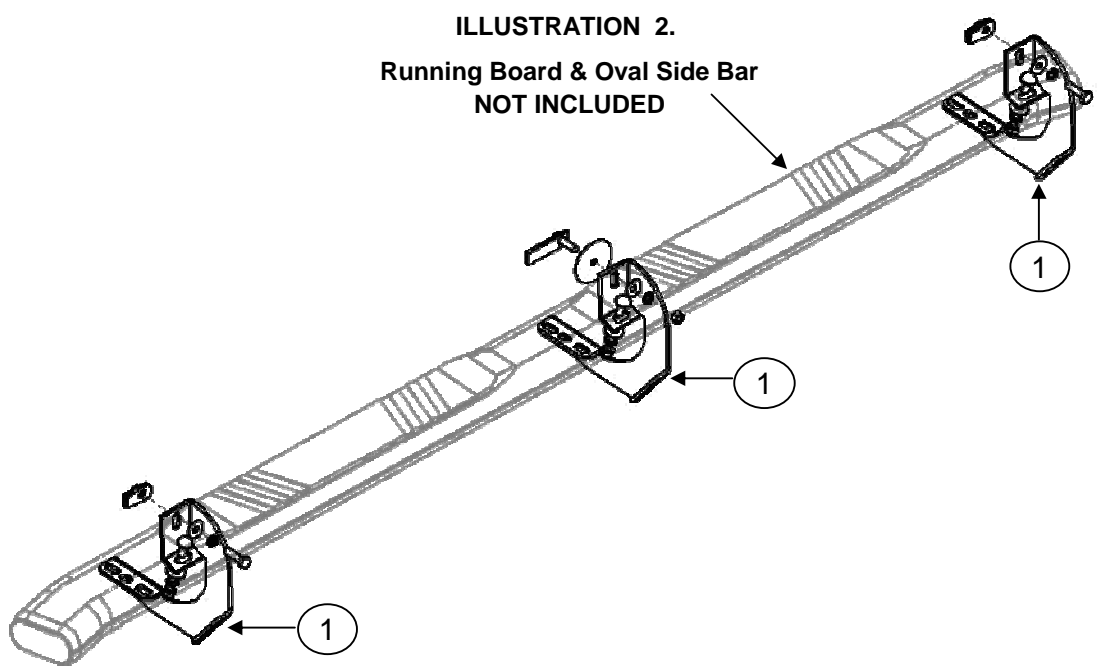


Illustration driver side.



Cleaning and care instructions:

Design:

Quality:

Protect the finish with a non-abrasive automotive wax, (e.g. Pure Carnauba) on a regular basis. The use of any soap, polish, or wax that contains an abrasive is detrimental to the finish, as the compounds scratch the finish and cause corrosion.

