

INSTALLATION INSTRUCTIONS

| BRACKET | WIDESIDER BAR 4" | WTW 4" | RUNNING BOARD 5" & 6" | APLICACION | MODEL |
|---------|------------------|--------|-----------------------|---------------------------|---------|
| 391695 | 394129 | - | 39087 | FORD F-150 EXT. CAB. | 04 - 10 |
| | 394169 | - | 39087 | FORD F-150 CREW CAB. | 04 - 08 |
| | 394269 | - | 39087 | FORD F-150 CREW CAB. | 09 - 10 |
| | - | 394326 | - | FORD F-150 CREW CAB. 5.5' | 09 - 10 |
| | - | 394327 | - | FORD F-150 EXT. CAB. 6.5' | 04 - 10 |
| | - | 394328 | - | FORD F-150 CREW CAB. 5.5' | 04 - 08 |
| | 64126 | - | 680087 | FORD F-150 EXT. CAB. | 04 - 10 |
| | 64150 | - | 680087 | FORD F-150 CREW CAB. | 04 - 08 |
| 64151 | - | 680087 | FORD F-150 CREW CAB. | 09 - 10 | |

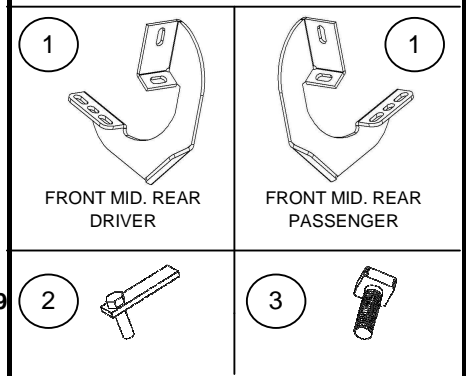
Parts List:

| ITEM | QTY. | CODE | DESCRIPTION | TORQUE |
|---|------|----------|---------------------------------|----------|
| 1 | 3 | 391694BB | Brackets set | - |
| 2 | 2 | 371980EA | 3/8" bolt plate | 30 Lb/Ft |
| KTE-391695 Hardware kit including: | | | | |
| 3 | 12 | - | 5/16" Square head bolt | 11 Lb/t |
| 4 | 12 | - | 5/16" Flat washer | - |
| 5 | 12 | - | 5/16" Lock washer | - |
| 6 | 12 | - | 5/16" Hex nut | 11 Lb/t |
| 7 | 6 | - | 3/8" Clip nut | - |
| 8 | 6 | - | 3/8 x 1 1/4" Hex head bolt | 30 Lb/Ft |
| 9 | 6 | - | 3/8 x 1 1/4" Carriage head bolt | 30 Lb/Ft |
| 10 | 12 | - | 3/8" Flat washer | - |
| 11 | 12 | - | 3/8" Lock washer | - |
| 12 | 8 | - | 3/8" Hex nut | 30 Lb/Ft |
| 13 | 2 | - | Gasket vinyl | - |
| NOTE: 394129(9-8-6-0) / 394169(9-8-6-0) / 394269(9-8-6-0) / 394326(9-6) / 394327(9-6) / 394328(9-6) / 64126(B-C-PS-BS) / 64150(B-C-PS-BS) / 64151(B-C-PS-BS) INCLUDES: | | | | |
| 14 | 1 | - | Oval 4" Widesider bar set | - |

Tools required not including:

| DESCRIPTION | QTY |
|-----------------------|-----|
| 1/2" Socket / Wrench | 1 |
| 9/16" Socket / Wrench | 1 |
| Ratchet | 1 |
| Extension ratchet | 1 |

ILUSTRACIÓN 1.



Approximated installation time: 30 min.

Instructions:

1. Before beginning the installation read all instructions thoroughly and verify that all hardware is accounted for. If there are any listed parts missing, please notify your distributor immediately.

ILLUSTRATION 2.
Running Board & Oval Side Bar
NOT INCLUDED

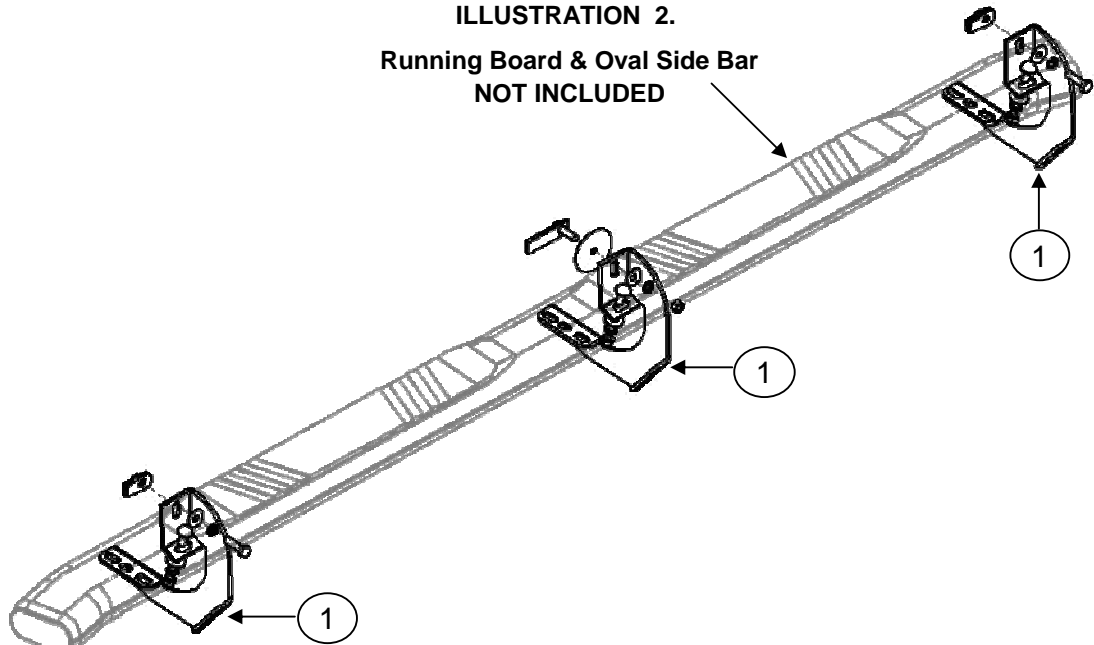


Illustration driver side.



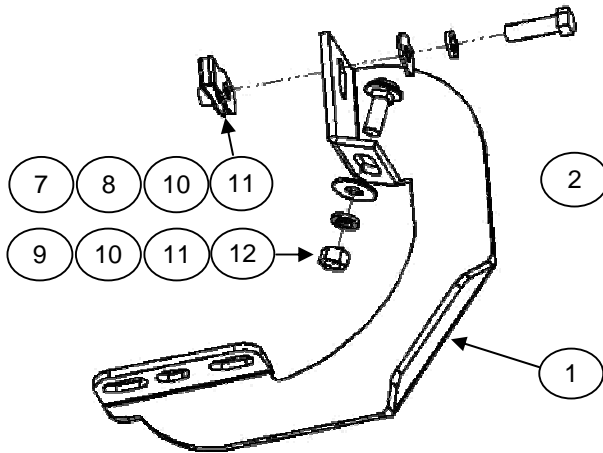
Cleaning and care instructions: Design: Quality:

Protect the finish with a non-abrasive automotive wax, (e.g. Pure Carnauba) on a regular basis. The use of any soap, polish, or wax that contains an abrasive is detrimental to the finish, as the compounds scratch the finish and cause corrosion.

INSTALLATION INSTRUCTIONS

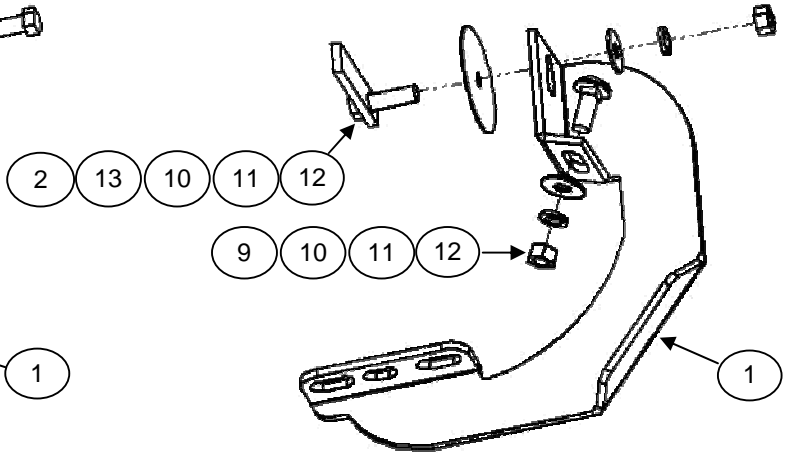
2. Located holes inside the body of vehicle, front, middle, rear, place a clip nut in upper part. Mount bracket and attach with: (1) 3/8 x 1 1/4" hex head bolt, (1) 3/8" flat and lock washers. **Models 2009 - 2010 insert 3/8" bolt plate, gasket vinyl, middle part, attach with: (1) 3/8" flat and lock washers, (1) 3/8" hex nut.** In lower part attach with: (1) 3/8 x 1" carriage head bolt, (1) 3/8" flat and lock washers, (1) 3/8" hex nut. **See illustration 3, 4.** Each bracket. Leave loose.

ILLUSTRATION 3



In models 04 - 08 front, middle and rear part. Driver side.

ILLUSTRATION 4



In models 09 - 10 middle part. Driver side.

3. For Installation Running Board 5" & 6", inserting (3) square head bolt within each lateral rail of the side bar. **See illustration 5.** Mounts the side bar on brackets, aligns and attach with: (2) 5/16" flat and lock washers, (2) 5/16" hex. nut. Repeat for bracket each. Leave loose.
4. For installation oval side bar 4". **See illustration 6.**
5. Align Side bar, and then get tighten all bolts. It repeats to install the opposite side (Passenger).
6. Do not use abrasive substances to clean your product.
7. Periodically check your product because it may need a re-tighten of bolts.
8. Fill the warranty card and place it inside your vehicle's glove box.

ILLUSTRATION 5.

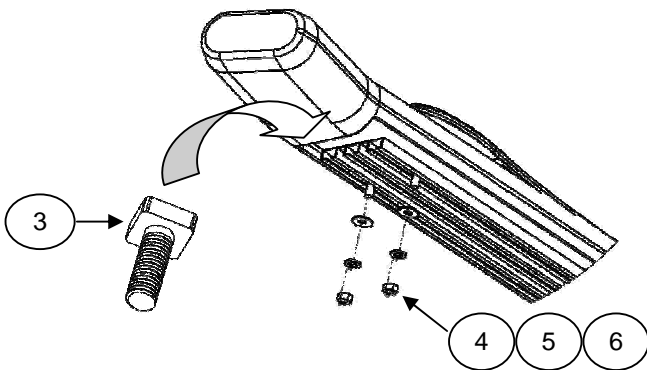
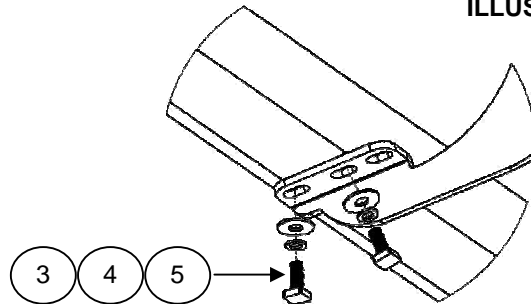


ILLUSTRATION 6.



Cleaning and care instructions:

Design:

Quality:

Protect the finish with a non-abrasive automotive wax, (e.g. Pure Carnauba) on a regular basis. The use of any soap, polish, or wax that contains an abrasive is detrimental to the finish, as the compounds scratch the finish and cause corrosion.