

## INSTALLATION INSTRUCTIONS

BRACKET	WIDESIDER BAR 4"	WTW 4"	RUNNING BOARD 5" & 6"	APLICACION	MODEL
391695	394129	-	39087	FORD F-150 EXT. CAB.	04 - 10
	394169	-	39087	FORD F-150 CREW CAB.	04 - 08
	394269	-	39087	FORD F-150 CREW CAB.	09 - 10
	-	394326	-	FORD F-150 CREW CAB. 5.5'	09 - 10
	-	394327	-	FORD F-150 EXT. CAB. 6.5'	04 - 10
	-	394328	-	FORD F-150 CREW CAB. 5.5'	04 - 08
	64126	-	680087	FORD F-150 EXT. CAB.	04 - 10
	64150	-	680087	FORD F-150 CREW CAB.	04 - 08
	64151	-	680087	FORD F-150 CREW CAB.	09 - 10

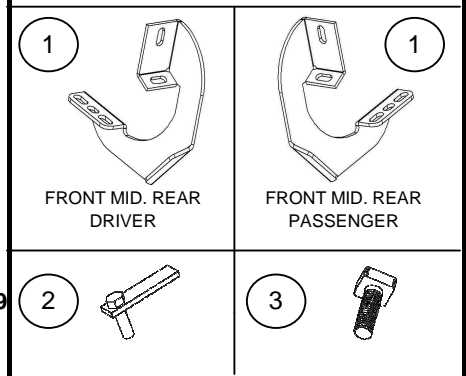
**Parts List:**

ITEM	QTY.	CODE	DESCRIPTION	TORQUE
1	3	391694BB	Brackets set	-
2	2	371980EA	3/8" bolt plate	30 Lb/Ft
		<b>KTE-391695</b>	<b>Hardware kit including:</b>	
3	12	-	5/16" Square head bolt	11 Lb/t
4	12	-	5/16" Flat washer	-
5	12	-	5/16" Lock washer	-
6	12	-	5/16" Hex nut	11 Lb/t
7	6	-	3/8" Clip nut	-
8	6	-	3/8 x 1 1/4" Hex head bolt	30 Lb/Ft
9	6	-	3/8 x 1 1/4" Carriage head bolt	30 Lb/Ft
10	12	-	3/8" Flat washer	-
11	12	-	3/8" Lock washer	-
12	8	-	3/8" Hex nut	30 Lb/Ft
13	2	-	Gasket vinyl	-
<b>NOTE: 394129(9-8-6-0) / 394169(9-8-6-0) / 394269(9-8-6-0) / 394326(9-6) / 394327(9-6) / 394328(9-6) / 64126(B-C-PS-BS) / 64150(B-C-PS-BS) / 64151(B-C-PS-BS) INCLUDES:</b>				
14	1	-	Oval 4" Widesider bar set	-

**Tools required not including:**

DESCRIPTION	QTY
1/2" Socket / Wrench	1
9/16" Socket / Wrench	1
Ratchet	1
Extension ratchet	1

**ILUSTRACIÓN 1.**



**Instructions:**

**Approximated installation time: 30 min.**

1. Before beginning the installation read all instructions thoroughly and verify that all hardware is accounted for. If there are any listed parts missing, please notify your distributor immediately.

**ILLUSTRATION 2.**  
Running Board & Oval Side Bar  
NOT INCLUDED

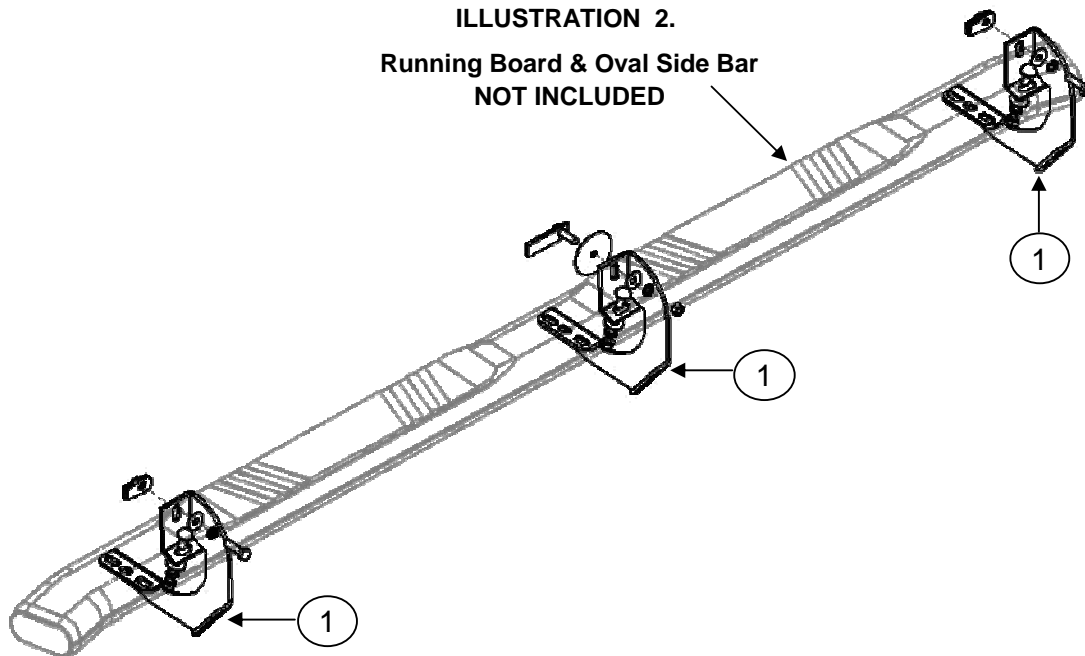


Illustration driver side.



**Cleaning and care instructions:**

Design:

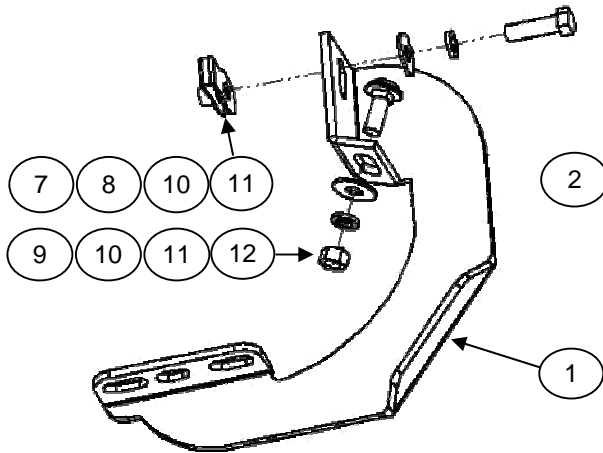
Quality:

Protect the finish with a non-abrasive automotive wax, (e.g. Pure Carnauba) on a regular basis. The use of any soap, polish, or wax that contains an abrasive is detrimental to the finish, as the compounds scratch the finish and cause corrosion.

## INSTALLATION INSTRUCTIONS

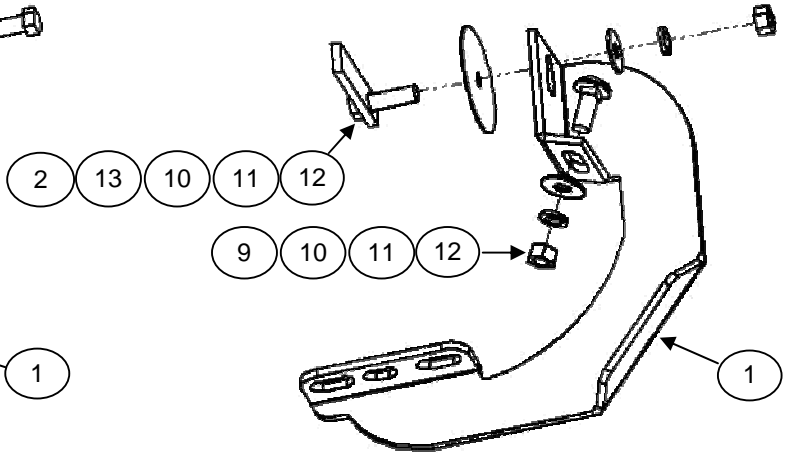
2. Located holes inside the body of vehicle, front, middle, rear, place a clip nut in upper part. Mount bracket and attach with: ( 1 ) 3/8 x 1 1/4" hex head bolt, ( 1 ) 3/8" flat and lock washers. **Models 2009 - 2010 insert 3/8" bolt plate, gasket vinyl, middle part, attach with: ( 1 ) 3/8" flat and lock washers, ( 1 ) 3/8" hex nut.** In lower part attach with: ( 1 ) 3/8 x 1" carriage head bolt, ( 1 ) 3/8" flat and lock washers, ( 1 ) 3/8" hex nut. **See illustration 3, 4.** Each bracket. Leave loose.

**ILLUSTRATION 3**



In models 04 - 08 front, middle and rear part. Driver side.

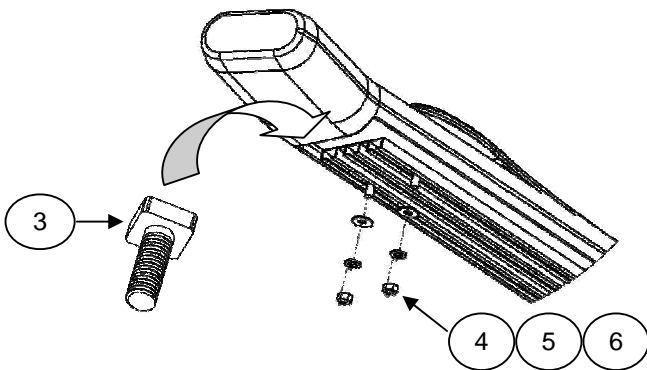
**ILLUSTRATION 4**



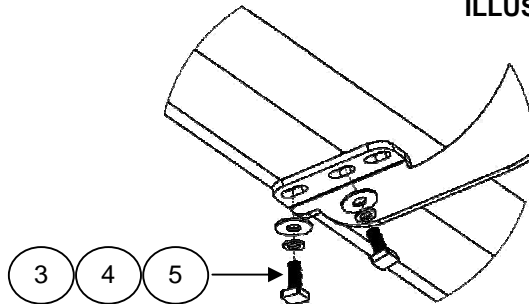
In models 09 - 10 middle part. Driver side.

3. For Installation Running Board 5" & 6", inserting ( 3 ) square head bolt within each lateral rail of the side bar. **See illustration 5.** Mounts the side bar on brackets, aligns and attach with: ( 2 ) 5/16" flat and lock washers, ( 2 ) 5/16" hex. nut. Repeat for bracket each. Leave loose.
4. For installation oval side bar 4". **See illustration 6.**
5. Align Side bar, and then get tighten all bolts. It repeats to install the opposite side ( Passenger ).
6. Do not use abrasive substances to clean your product.
7. Periodically check your product because it may need a re-tighten of bolts.
8. Fill the warranty card and place it inside your vehicle's glove box.

**ILLUSTRATION 5.**



**ILLUSTRATION 6.**



**Cleaning and care instructions:**

Design:

Quality:

Protect the finish with a non-abrasive automotive wax, (e.g. Pure Carnauba) on a regular basis. The use of any soap, polish, or wax that contains an abrasive is detrimental to the finish, as the compounds scratch the finish and cause corrosion.