

# INSTALLATION INSTRUCTIONS

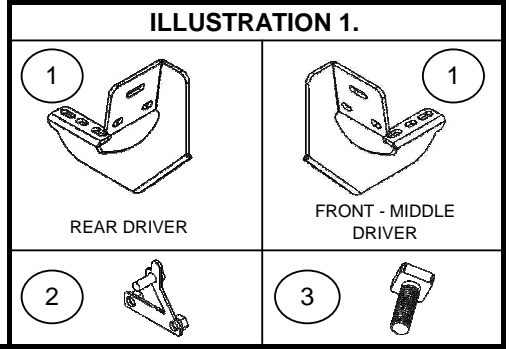
BRACKET	WIDESIDER BAR 4"	WTW 4"	RUNNING BOARD 5" & 6"	MODEL	YEAR
392245	394223	394319	39080	Dodge Ram 1500(USA) 2500(MEX) Quad Cab	09 - 10
	394020	394320	39087	Dodge Ram 1500 (USA) 2500 (MEX) Crew Cab	09 - 10
	394005	-	-	Dodge Ram 2500HD/3500HD Mega Cab	2010
	64099	-	680080	Dodge Ram 1500 Quad Cab	09 - 10
	64106	-	680087	Dodge Ram 1500 Crew Cab	09 - 10
	64107	-	-	Dodge Ram 2500HD/3500HD Mega Cab	2010

**Parts List:**

ITEM	QTY.	CODE	DESCRIPTION	TORQUE
1	3	392244AB	Set brackets	-
2	6	372240BA	T Plate	30 Lb/Ft
<b>KTE-392245 Hardware kit including:</b>				
3	12	-	5/16" Square head bolt	11 Lb/t
4	12	-	5/16" Flat washer	-
5	12	-	5/16" Lock washer	-
6	12	-	5/16" Hex nut	11 Lb/t
7	12	-	3/8 x 1" Hex. Head bolt	30 Lb/Ft
8	18	-	3/8" Flat washer	-
9	18	-	3/8" Lock washer	-
10	6	-	3/8" Hex nut	30 Lb/Ft
11	6	-	Vinyl gasket	-
<b>NOTE: 394223(9-8-6-0) - 394020(9-8-6-0) - 394005(9-8-6-0) - 394319(6-9) - 394320(6-9) / 64099(B-C-PS-BS) - 64106(B-C-PS-BS) - 64107(B-C-PS-BS) INCLUDES:</b>				
12	1	-	Oval 4" Widesider bar set	-

**Tools required not including:**

DESCRIPTION	QTY
1/2" Socket / Wrench	1
9/16" Socket / Wrench	1
Ratchet	1
Extension ratchet	1

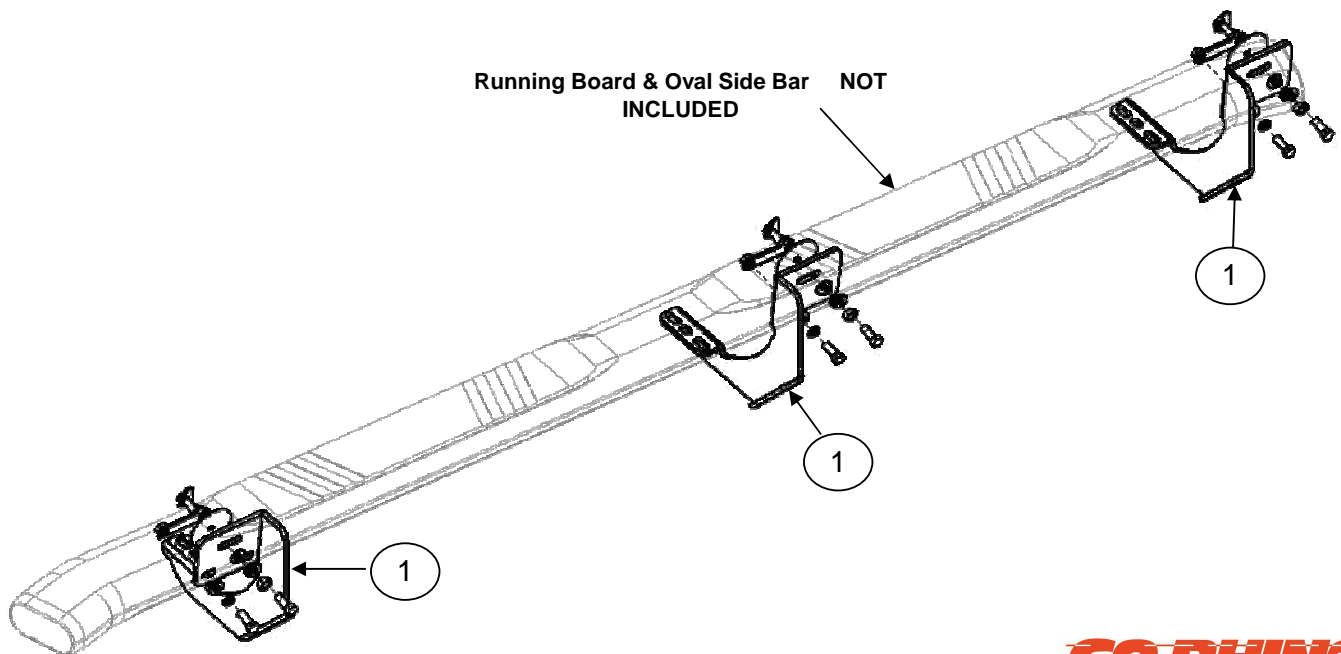


**Instructions:**

**Approximated installation time: 30 min.**

1. Before beginning the installation read all instructions thoroughly and verify that all hardware is accounted for. If there are any listed parts missing, please notify your distributor immediately.

**ILLUSTRATION 2.**



**Illustration driver side.**



**Cleaning and care instructions:**

Design:

Quality:

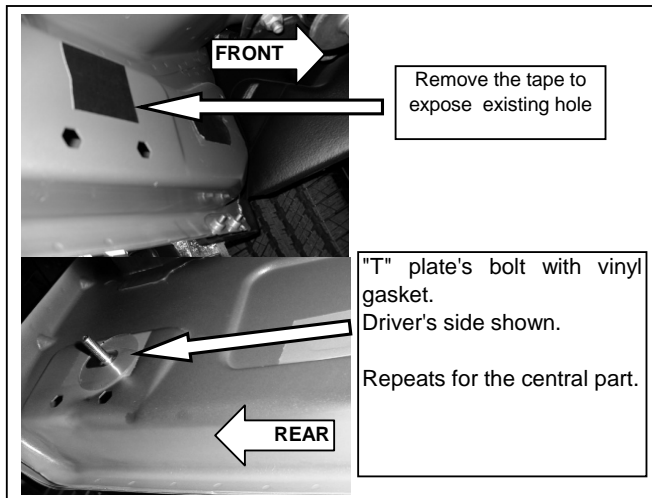
Protect the finish with a non-abrasive automotive wax, (e.g. Pure Carnauba) on a regular basis. The use of any soap, polish, or wax that contains an abrasive is detrimental to the finish, as the compounds scratch the finish and cause corrosion.

## INSTALLATION INSTRUCTIONS

2. To install front, middle and rear mounting brackets locate in the rocker panel the holes covered in tape and remove the tape. Place ( 1 ) vinyl gasket to the bolt of the "T" plate then insert into the exposed hole. **See picture 1.**

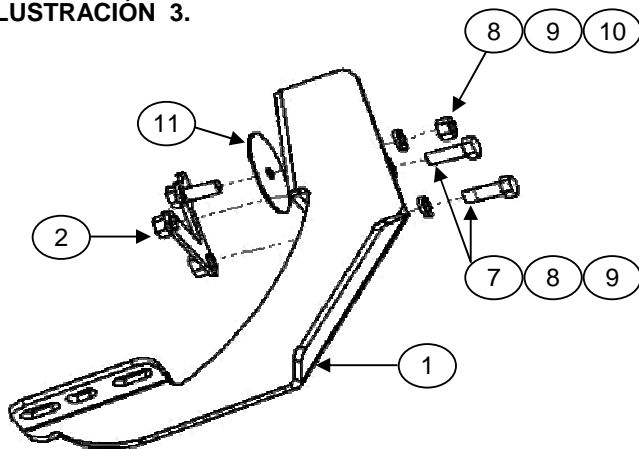
**NOTE:** It is important to place vinyl gaskets to the bolts to prevent the "T" plate from falling into the rocker panel.

**PICTURE 1**



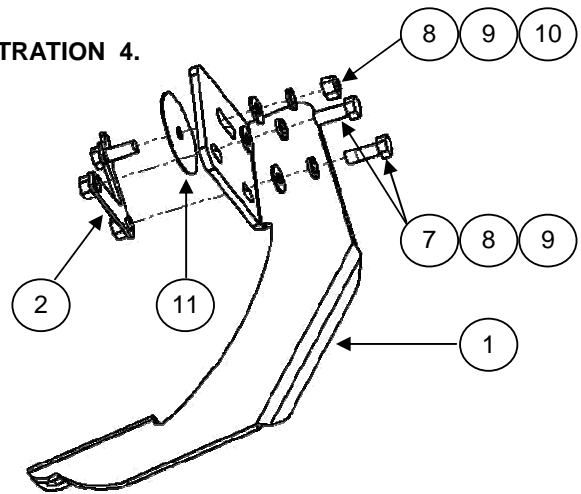
3. Place the front and middle bracket and attach to the bolt of the plate that it placed in the panel of the vehicle with: ( 1 ) 3/8" flat and lock washers, ( 1 ) 3/8" hex nut. And to the nuts of the plate with: ( 2 ) 3/8 x 1" hex head bolt, ( 2 ) 3/8" flat and lock washer. **See illustration 3.** Leave loose.

**ILUSTRACIÓN 3.**



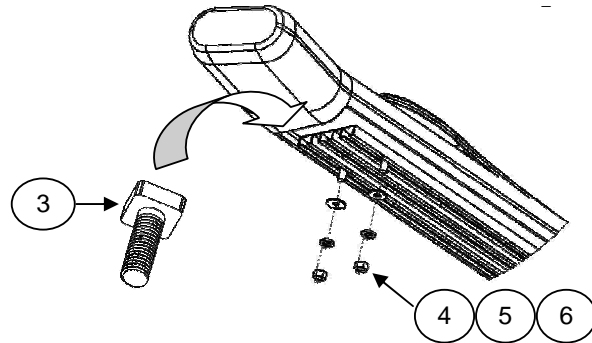
4. Place the rear bracket and attach of the same form that front and middle bracket. **See illustration 4.** Leave loose.

**ILLUSTRATION 4.**



5. For Installation Running Board 5" & 6", inserting ( 3 ) square head bolt within each lateral rail of the side bar. **See illustration 6.** Mounts the side bar on brackets, aligns and attach with: ( 2 ) 5/16" flat and lock washers, ( 2 ) 5/16" hex. nut. Repeats for bracket each. Leave loose.

**ILLUSTRATION**



6. For installation oval side bar 4". **See illustration 7.**

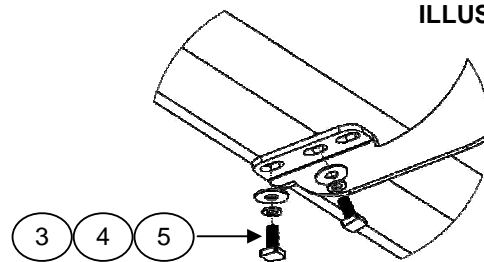
7. Align Side bar, and then get tighten all bolts. It repeats to install the opposite side ( Passenger ).

8. Do not use abrasive substances to clean your product.

9. Periodically check your product because it may need a re-tighten of bolts.

10. Fill the warranty card and place it inside your vehicle's glove box.

**ILLUSTRATION 6.**



**Cleaning and care instructions:**

Design:

Quality:

Protect the finish with a non-abrasive automotive wax, (e.g. Pure Carnauba) on a regular basis. The use of any soap, polish, or wax that contains an abrasive is detrimental to the finish, as the compounds scratch the finish and cause corrosion.