

INSTALLATION INSTRUCTIONS

BRACKET	WIDESIDER BAR 4"	WTW 4"	RUNNING BOARD 5" & 6"	MODEL	YEAR
392245	394223	394319	39080	Dodge Ram 1500(USA) 2500(MEX) Quad Cab	09 - 10
	394020	394320	39087	Dodge Ram 1500 (USA) 2500 (MEX) Crew Cab	09 - 10
	394005	-	-	Dodge Ram 2500HD/3500HD Mega Cab	2010
	64099	-	680080	Dodge Ram 1500 Quad Cab	09 - 10
	64106	-	680087	Dodge Ram 1500 Crew Cab	09 - 10
	64107	-	-	Dodge Ram 2500HD/3500HD Mega Cab	2010

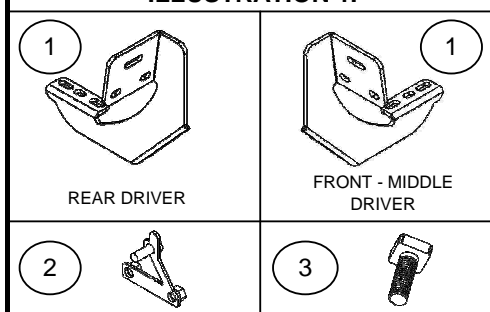
Parts List:

ITEM	QTY.	CODE	DESCRIPTION	TORQUE
1	3	392244AB	Set brackets	-
2	6	372240BA	T Plate	30 Lb/Ft
KTE-392245 Hardware kit including:				
3	12	-	5/16" Square head bolt	11 Lb/t
4	12	-	5/16" Flat washer	-
5	12	-	5/16" Lock washer	-
6	12	-	5/16" Hex nut	11 Lb/t
7	12	-	3/8 x 1" Hex. Head bolt	30 Lb/Ft
8	18	-	3/8" Flat washer	-
9	18	-	3/8" Lock washer	-
10	6	-	3/8" Hex nut	30 Lb/Ft
11	6	-	Vinyl gasket	-
NOTE: 394223(9-8-6-0) - 394020(9-8-6-0) - 394005(9-8-6-0) - 394319(6-9) - 394320(6-9) / 64099(B-C-PS-BS) - 64106(B-C-PS-BS) - 64107(B-C-PS-BS) INCLUDES:				
12	1	-	Oval 4" Widesider bar set	-

Tools required not including:

DESCRIPTION	QTY
1/2" Socket / Wrench	1
9/16" Socket / Wrench	1
Ratchet	1
Extension ratchet	1

ILLUSTRATION 1.



Approximated installation time: 30 min.

Instructions:

1. Before beginning the installation read all instructions thoroughly and verify that all hardware is accounted for. If there are any listed parts missing, please notify your distributor immediately.

ILLUSTRATION 2.

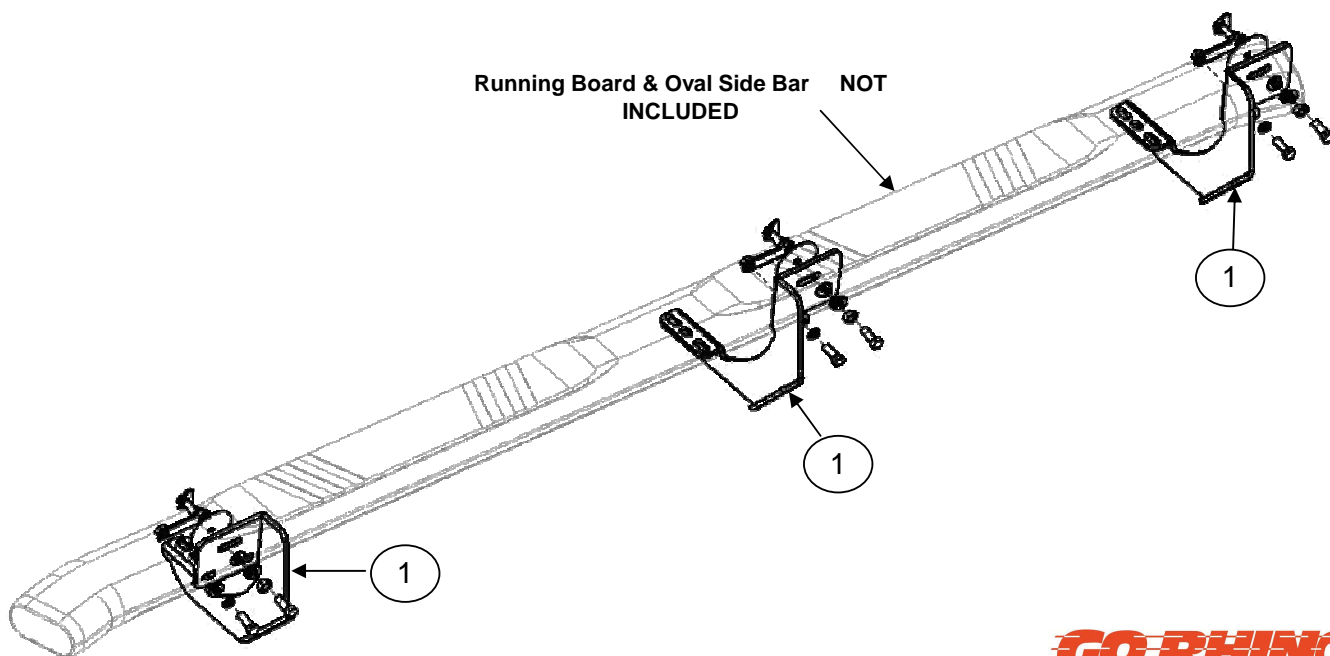


Illustration driver side.



Cleaning and care instructions:

Design:

Quality:

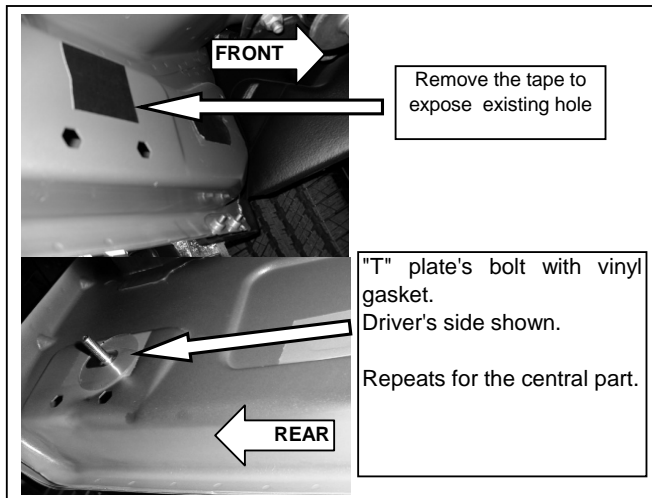
Protect the finish with a non-abrasive automotive wax, (e.g. Pure Carnauba) on a regular basis. The use of any soap, polish, or wax that contains an abrasive is detrimental to the finish, as the compounds scratch the finish and cause corrosion.

INSTALLATION INSTRUCTIONS

2. To install front, middle and rear mounting brackets locate in the rocker panel the holes covered in tape and remove the tape. Place (1) vinyl gasket to the bolt of the "T" plate then insert into the exposed hole. **See picture 1.**

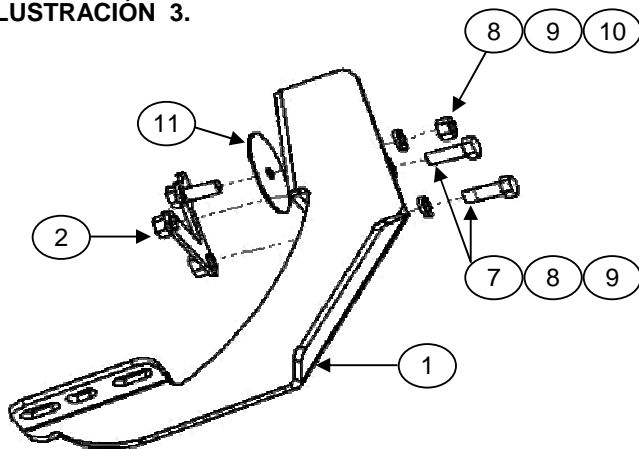
NOTE: It is important to place vinyl gaskets to the bolts to prevent the "T" plate from falling into the rocker panel.

PICTURE 1



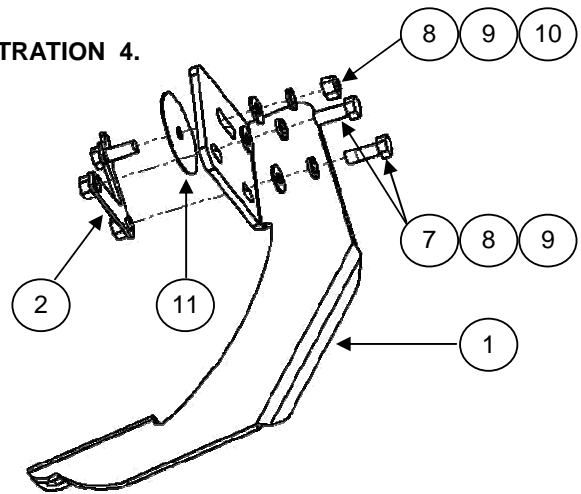
3. Place the front and middle bracket and attach to the bolt of the plate that it placed in the panel of the vehicle with: (1) 3/8" flat and lock washers, (1) 3/8" hex nut. And to the nuts of the plate with: (2) 3/8 x 1" hex head bolt, (2) 3/8" flat and lock washer. **See illustration 3.** Leave loose.

ILUSTRACIÓN 3.



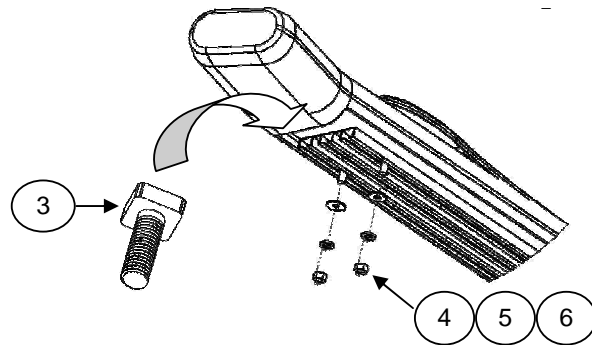
4. Place the rear bracket and attach of the same form that front and middle bracket. **See illustration 4.** Leave loose.

ILLUSTRATION 4.



5. For Installation Running Board 5" & 6", inserting (3) square head bolt within each lateral rail of the side bar. **See illustration 6.** Mounts the side bar on brackets, aligns and attach with: (2) 5/16" flat and lock washers, (2) 5/16" hex. nut. Repeats for bracket each. Leave loose.

ILLUSTRATION



6. For installation oval side bar 4". **See illustration 7.**

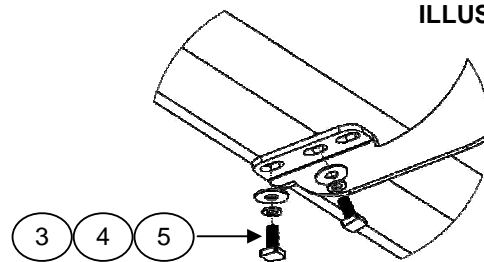
7. Align Side bar, and then get tighten all bolts. It repeats to install the opposite side (Passenger).

8. Do not use abrasive substances to clean your product.

9. Periodically check your product because it may need a re-tighten of bolts.

10. Fill the warranty card and place it inside your vehicle's glove box.

ILLUSTRATION 6.



Cleaning and care instructions:

Design:

Quality:

Protect the finish with a non-abrasive automotive wax, (e.g. Pure Carnauba) on a regular basis. The use of any soap, polish, or wax that contains an abrasive is detrimental to the finish, as the compounds scratch the finish and cause corrosion.