

INSTALLATION INSTRUCTIONS

BRACKET	WIDESIDER BAR 4"	WTW 4"	RUNNING BOARD 5" & 6"	APLICACIÓN	MODELO
391235	-	394323	-	DODGE RAM 1500 / 2500 / 3500 QUAD CAB. 6.5	02 - 08
	394123	-	39087	DODGE RAM 1500 / 2500 / 3500 QUAD CAB.	02 - 08
	64097	-	39087	DODGE RAM 1500 / 2500 / 3500 QUAD CAB.	02 - 08

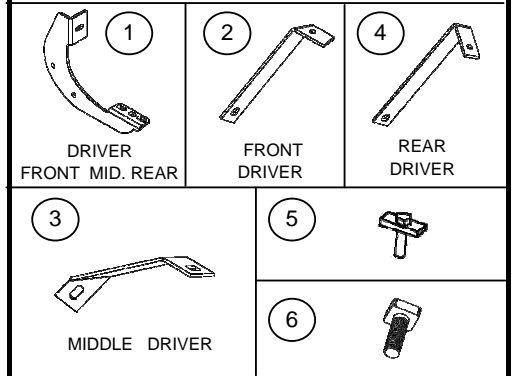
Parts List:

ITEM	QTY.	CODE	DESCRIPTION	TORQUE
1	3	391234BB	Main bracket set	-
2	1	471232AA	Front auxiliary bracket set	-
3	1	391232B	Middle auxiliary bracket set	-
4	1	471232BA	Rear auxiliary bracket set	-
5	10	3712410	3/8" bolt plate	30 Lb/Ft
KTE-391235 Hardware kit including:				
6	12	-	5/16" Box head bolt	11 Lb/t
7	12	-	5/16" Flat washer	-
8	12	-	5/16" Lock washer	-
9	12	-	5/16" Hex nut	11 Lb/t
10	6	-	3/8 x 1 1/4" Carriage head bolt	30 Lb/Ft
11	16	-	3/8" Flat washer	-
12	16	-	3/8" Lock washer	-
13	16	-	3/8" Hex nut	30 Lb/Ft
14	6	-	Vinyl gasket	-
NOTE: 394123(9-8-6-0) - 394323(6-9) / 64097(B-C-PS-BS) INCLUDES:				
15	1	-	Oval 4" Widesider bar set	-

Tools required not including:

DESCRIPTION	QTY
1/2" Socket / Wrench	1
9/16" Socket / Wrench	1
17mm Socket & 15mm Wrench	1
Ratchet	1
Extension ratchet	1

ILLUSTRATION 1.



Instructions:

Approximated installation time: 30 min.

1. Before beginning the installation read all instructions thoroughly and verify that all hardware is accounted for. If there are any listed parts missing, please notify your distributor immediately.

ILLUSTRATION 2.

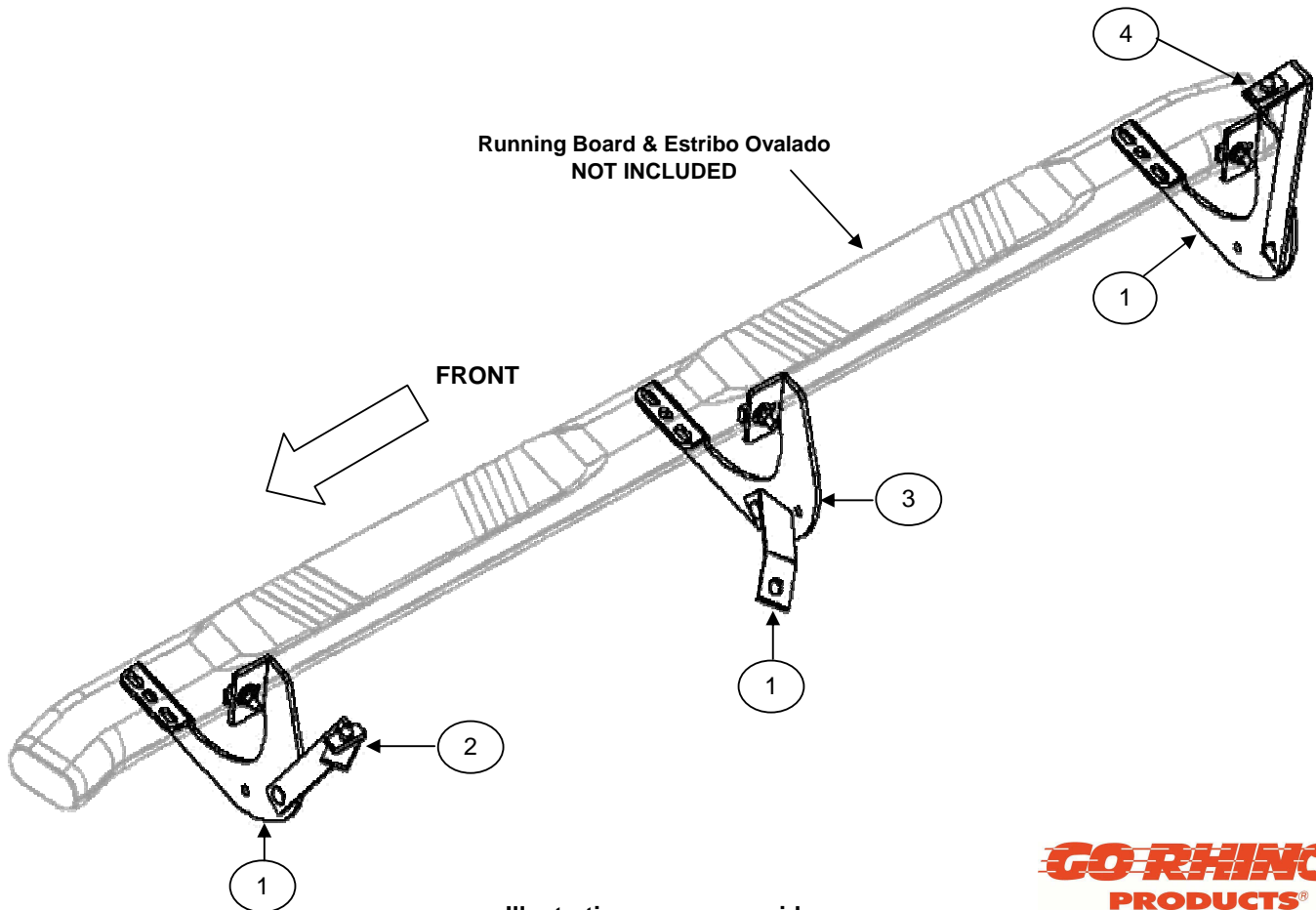


Illustration passenger side.



Cleaning and care instructions:

Design:

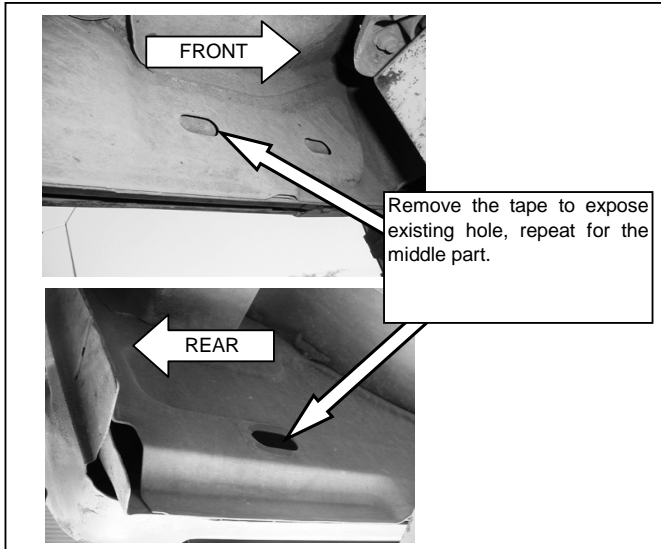
Quality:

Protect the finish with a non-abrasive automotive wax, (e.g. Pure Carnauba) on a regular basis. The use of any soap, polish, or wax that contains an abrasive is detrimental to the finish, as the compounds scratch the finish and cause corrosion.

INSTALLATION INSTRUCTIONS

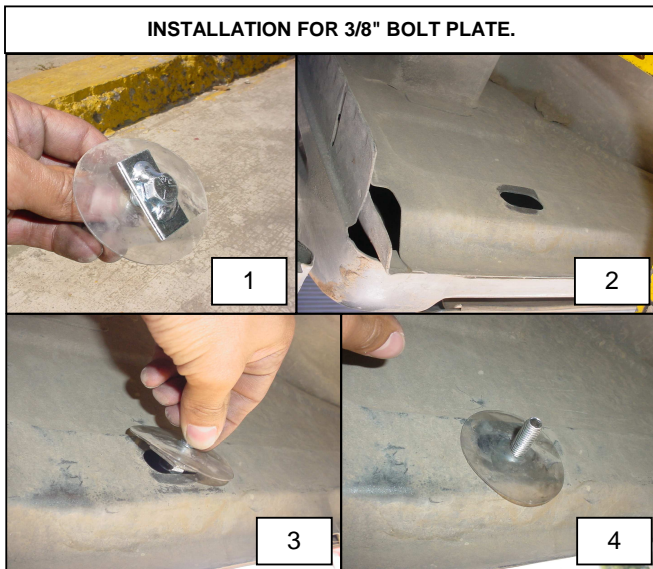
2. To install front, middle & rear mounting brackets locate in the rocker panel the holes covered in tape and remove the tape. Place (1) vinyl gasket to the bolt of the "T" plate then insert into the exposed hole. **See picture 1.**

PICTURE 1.



NOTE: It is important to place vinyl gaskets to the bolts to prevent the 3/8" bolt plate from falling into the rocker panel. **See picture 2.**

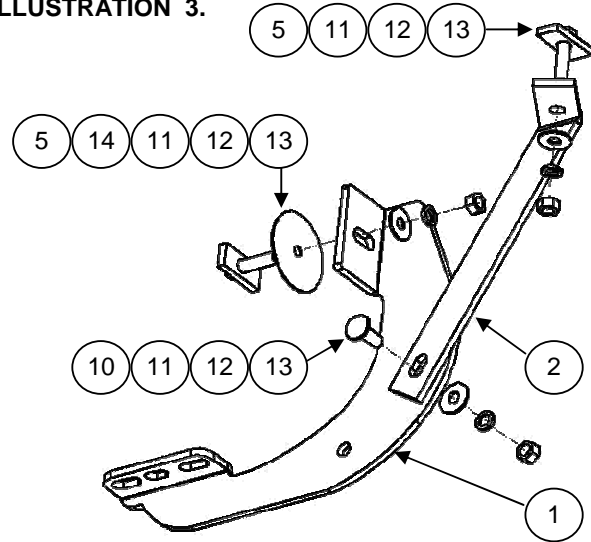
PICTURE 2.



3. Place (1) front mounting bracket attach to the 3/8" bolt plate previously placed using: (1) 3/8" flat and lock washers and (1) 3/8" hex nut. Leave loose.

4. To install auxiliary front mounting bracket, locate existing hole next to the cab's mounting support then insert through the hole (1) 3/8" bolt plate. Place auxiliary front mounting bracket and secure to the 3/8" bolt plate using: (1) 3/8" flat and lock washers and (1) 3/8" hex nut. Secure the other end to front mounting bracket using (1) 3/8 x 1" carriage head bolt, (1) 3/8" flat and lock washers and (1) 3/8" hex nut. **See illustration 3.** Leave loose.

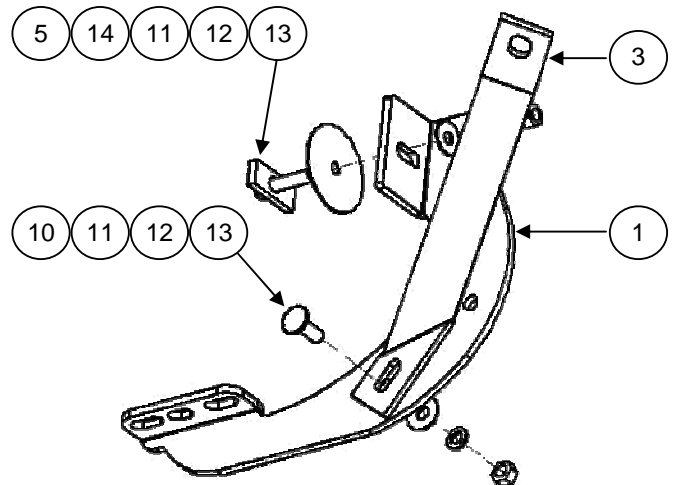
ILLUSTRATION 3.



5. Place (1) middle mounting bracket attach to the 3/8" bolt plate previously placed using: (1) 3/8" flat and lock washers and (1) 3/8" hex nut. Leave loose.

6. Remove the support of the body mount, located in a flank of the frame, middle part, identify and you mount auxiliary brackets and attach with bolts before removed. Secure the other end to middle mounting bracket using (1) 3/8 x 1" carriage head bolt, (1) 3/8" flat and lock washers and (1) 3/8" hex nut. **See illustration 4.** Leave loose.

ILLUSTRATION 4.



Cleaning and care instructions:

Design:

Quality:

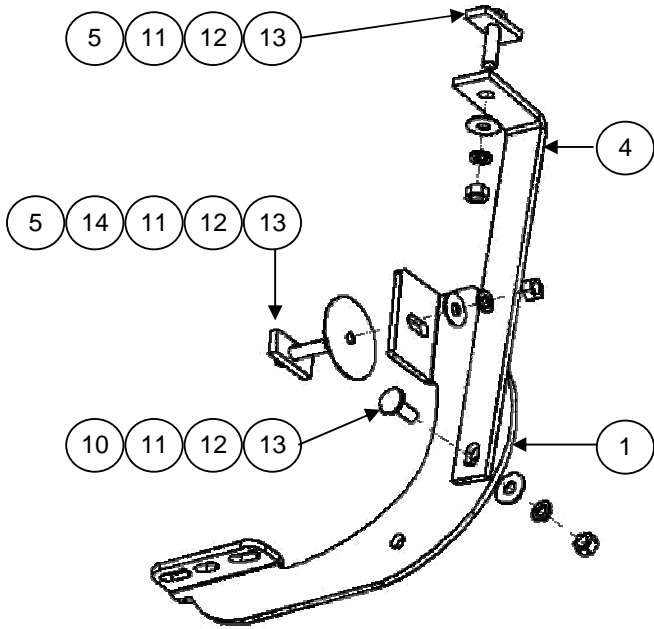
Protect the finish with a non-abrasive automotive wax, (e.g. Pure Carnauba) on a regular basis. The use of any soap, polish, or wax that contains an abrasive is detrimental to the finish, as the compounds scratch the finish and cause corrosion.

INSTALLATION INSTRUCTIONS

7. Place (1) rear mounting bracket attach to the 3/8" bolt plate previously placed using: (1) 3/8" flat and lock washers and (1) 3/8" hex nut. Leave loose.

8. To install auxiliary rear mounting bracket, locate existing hole next to cab's support. **See Picture 1.** Introduce (1) 3/8" bolt plate then place rear auxiliary mounting bracket and secure to the bolt previously placed using (1) 3/8" flat and lock washers and (1) 3/8" hex nut. Secure the other end to the rear mounting bracket using (1) 3/8 x 1" carriage head bolt, (1) 3/8" flat and lock washers and (1) 3/8" hex nut. **See illustration 5.** Leave loose.

ILLUSTRATION 5.



10. For installation oval side bar 4". **See illustration 7.**

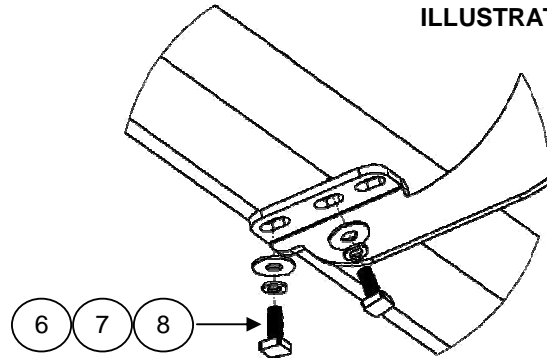
11. Align Side bar, and then get tighten all bolts. It repeats to install the opposite side (Passenger).

12. Do not use abrasive substances to clean your product.

13. Periodically check your product because it may need a re-tighten of bolts.

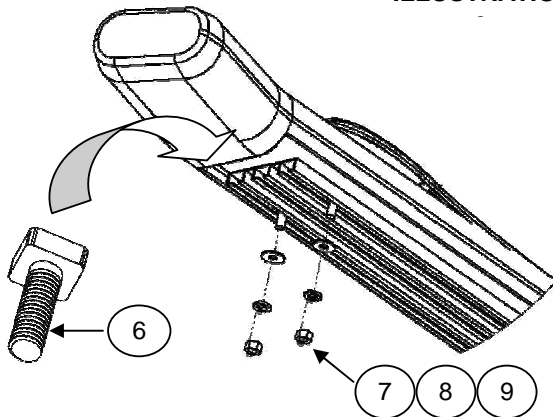
14. Fill the warranty card and place it inside your vehicle's glove box.

ILLUSTRATION 7.



9. For Installation Running Board 5" & 6", inserting (3) square head bolt within each lateral rail of the side bar. **See illustration 6.** Mounts the side bar on brackets, aligns and attach with: (2) 5/16" flat and lock washers, (2) 5/16" hex. nut. Repeats for bracket each. Leave loose.

ILLUSTRATION



Cleaning and care instructions:

Design:

Quality:

Protect the finish with a non-abrasive automotive wax, (e.g. Pure Carnauba) on a regular basis. The use of any soap, polish, or wax that contains an abrasive is detrimental to the finish, as the compounds scratch the finish and cause corrosion.