

INSTALLATION INSTRUCTIONS

BRACKET	WIDESIDER BAR 4"	WTW 4"	RUNNING BOARD 5" & 6"	APLICATION	MODEL
392015	394201	-	39087	GMC SIERRA / SILVERADO CREW CAB.	07 - 10
	394176	-	39080	GMC SIERRA / SILVERADO EXT. CAB.	07 - 10
	-	394302	-	GMC SIERRA / SILVERADO CREW CAB. 5.5'	07 - 10
	-	394301	-	GMC SIERRA / SILVERADO CREW CAB. 6.5'	07 - 10
	-	394376	-	GMC SIERRA / SILVERADO EXT. CAB. 6.5'	07 - 10
	64047	-	680087	GMC SIERRA / SILVERADO CREW CAB.	07 - 10
	64045	-	680080	GMC SIERRA / SILVERADO EXT. CAB.	07 - 10

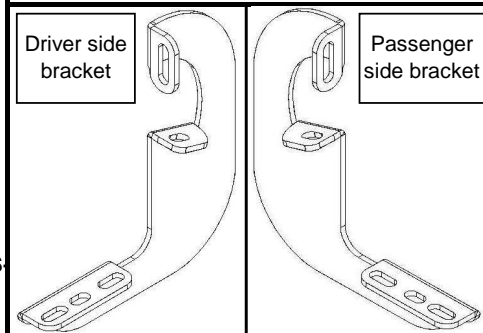
Parts List:

ITEM	QTY	CODE	DESCRIPTION	MAX. TORQUE
1	3	392014AB	Brackets set	-
KTE-392015 Hardware kit includes:				
2	12	-	5/16" Box head bolt	11 lb.ft
3	12	-	5/16" Flat washer	-
4	12	-	5/16" Lock washer	-
5	12	-	5/16" Hex nut	11 lb.ft
6	8	-	M8 x 25mm Hex head bolt	12 lb.ft
7	6	-	3/8" Clip nut	-
8	12	-	3/8 x 1 1/4" Hex head bolt	30 lb.ft
9	12	-	3/8" Flat washer	-
10	12	-	3/8" Lock washer	-
11	6	-	3/8" Hex nut	30 lb.ft
12	1	-	Oval 4" Widesider bar set	-

NOTE: 394201(9-8-6-0) / 394176(9-8-6-0) / 394302(9-8-6-0) / 394301(9-8-6-0) / 64047(B-C-PS SB) / 64045(B-C-PS-SB) INCLUDES:

Tools required not including:

DESCRIPTION	QTY
Socket / Wrench 13mm	1
Socket / wrench 1/2"	1
Socket / wrench 9/16"	1
Ratchet	1
Extension ratchet	1

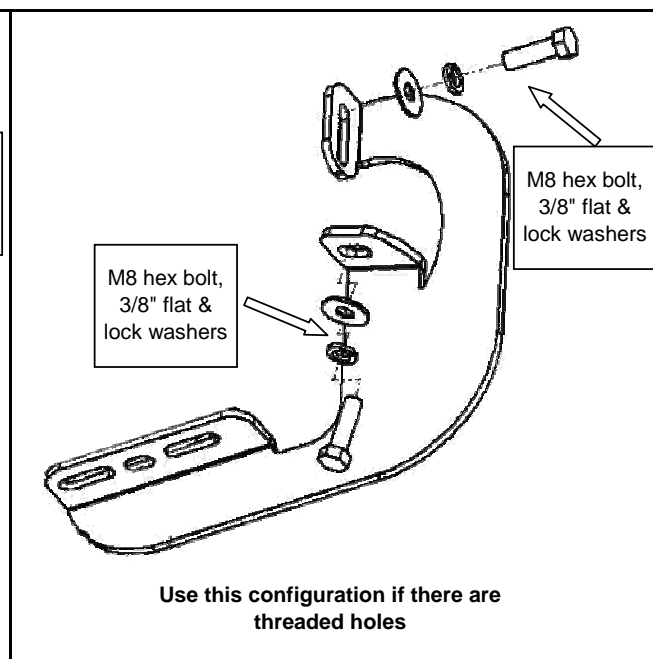
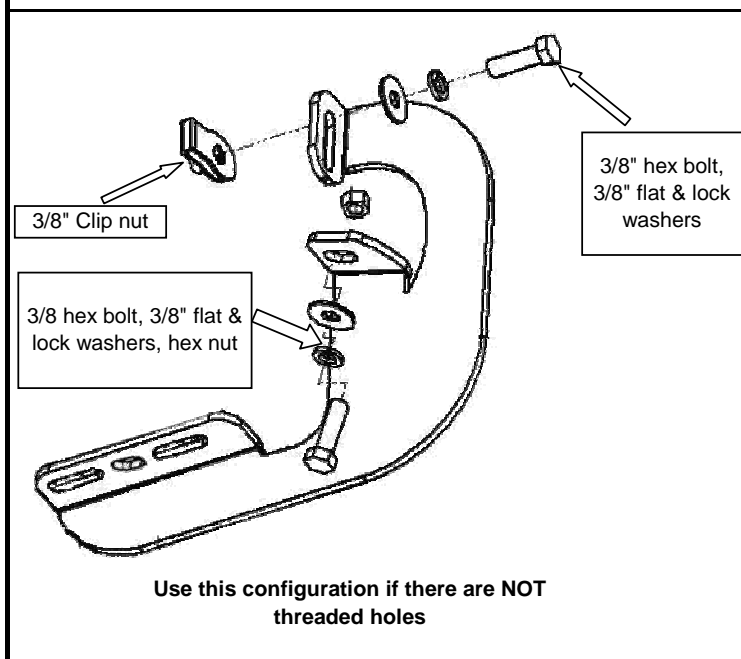


Approximated installation time: 30 min.

Instructions:

- Before beginning the installation read all instructions thoroughly and verify that all hardware is accounted for. If there are any listed parts missing, please notify your distributor immediately.
- For **CREW CAB** models, locate existing threaded holes located inside the rocker panel of vehicle, at front and middle, **See Picture 1**. At rear position place a clip nut. **See Picture 2**.
- For **EXTENDED CAB** models place clip nut at rear, middle, front and attach with corresponding hardware. Repeat for the opposite side. Leave loose.

NOTE: Some models may have existing nuts at front and middle in the lower edge of rocker panel, use M8x25 hex bolts to secure the bracket.



Cleaning and care instructions:

Protect the finish with a non-abrasive automotive wax, (e.g. Pure Carnauba) on a regular basis. The use of any soap, polish, or wax that contains an abrasive is detrimental to the finish, as the compounds scratch the finish and cause corrosion.

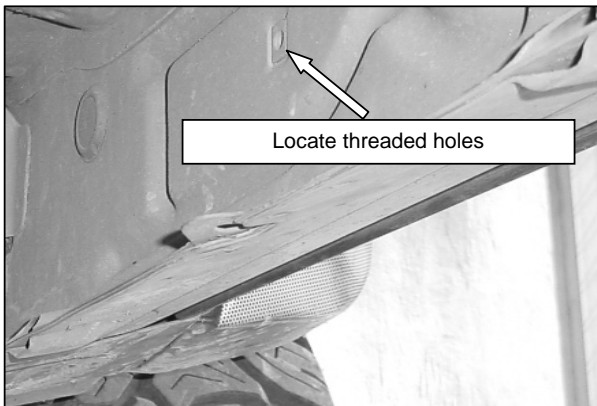
Design:

Quality:

INSTALLATION INSTRUCTIONS

4. Install running board, first insert 5/16" square head bolt on rail, place on brackets and attach with: (2) 5/16" Flat and lock washer, (2) 5/16" hex nut. **See illustration 1 or 2 depending on which product you acquired.** Repeat for the opposite side. Leave loose.
5. Align Running board, and then get tighten all bolts.
6. Do not use abrasive substances to clean your product.
7. Periodically check your product because it may need a re-tighten of bolts.
8. Fill the warranty card and place it inside your vehicle's glove box.

PICTURE 1



PICTURE 2

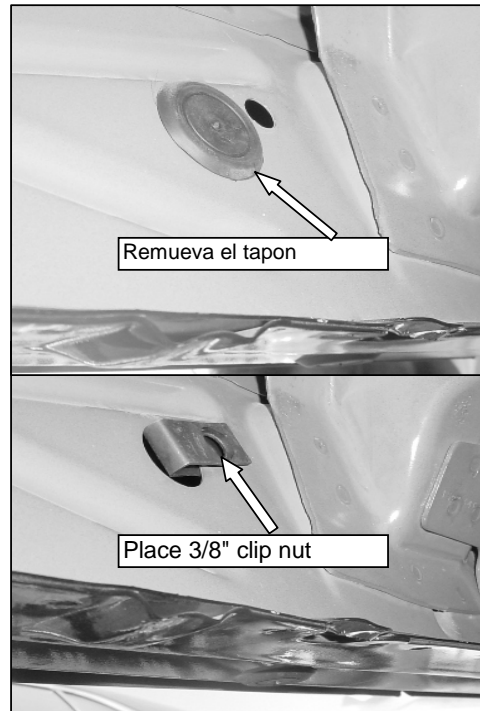


ILLUSTRATION 1

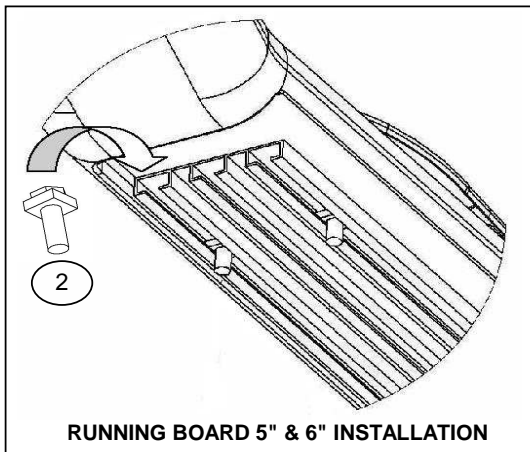
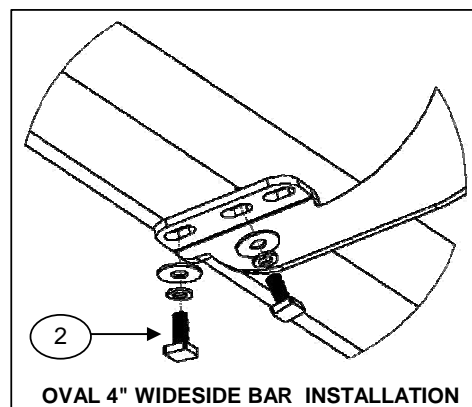


ILLUSTRATION 2



GO RHINO!
PRODUCTS®

Cleaning and care instructions:

Design:

Quality:

Protect the finish with a non-abrasive automotive wax, (e.g. Pure Carnauba) on a regular basis. The use of any soap, polish, or wax that contains an abrasive is detrimental to the finish, as the compounds scratch the finish and cause corrosion.