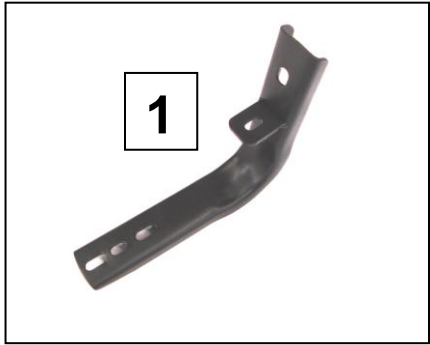


| BRACKET | 415   | 4" O.E. Xtreme | 5" O.E. Xtreme   | 6" O.E. Xtreme   | Vehicle                            | Year |
|---------|-------|----------------|------------------|------------------|------------------------------------|------|
| 6840355 | 67235 | 640080         | 650080<br>680080 | 660080<br>660180 | Chevy Colorado/GMC Canyon Crew Cab | 2015 |

| Parts List                      |          |             |  |             | Required Tools (Not included) |                           |
|---------------------------------|----------|-------------|--|-------------|-------------------------------|---------------------------|
| Item                            | Qty.     | Code        | Description                                | Max. Torque | Qty.                          | Description               |
|                                 | 1 Kit    | BRK-6840355 | Bracket kit                                |             | 1                             | 1/2" Socket & 1/2" Wrench |
| 1                               | 8 Piece  | 6840350AA   | Bracket                                    |             | 1                             | 13mm Socket & 13mm Wrench |
|                                 |          |             |  |             | 1                             | Ratchet                   |
|                                 |          |             |  |             | 1                             | Ratchet Extension         |
|                                 | 1 Kit    | KTE-6840355 | Hardware kit                               |             |                               |                           |
| 2                               | 16 Piece | -           | 5/16" x 1" Hex Bolt (black)                | 11 Ft. Lbs  |                               |                           |
| 3                               | 32 Piece | -           | 5/16" Flat Washer (black)                  |             |                               |                           |
| 4                               | 32 Piece | -           | 5/16" Lock Washer (black)                  |             |                               |                           |
| 5                               | 16 Piece | -           | 5/16" Hex Nut (black)                      |             |                               |                           |
| 6                               | 16 Piece | -           | M8 x 25mm P1.25 Hex Head Bolt              | 20 Ft. Lbs  |                               |                           |
| 7                               | 16 Piece | -           | M8 P1.25 Clip Nut                          |             |                               |                           |
| NOTE: 67235PS / 67235T INCLUDE: |          |             |  |             |                               |                           |
| 8                               | 1 Set    | -           | 415 Series Side Step (Passenger / Driver). |             |                               |                           |



**Instructions**

Before beginning the installation, please read all directions carefully and verify that all necessary hardware is accounted for. If any parts are missing, stop the installation and contact your distributor immediately.

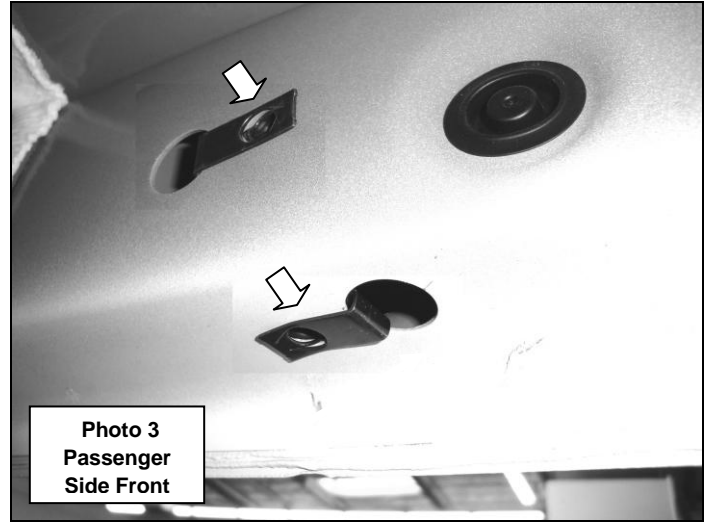
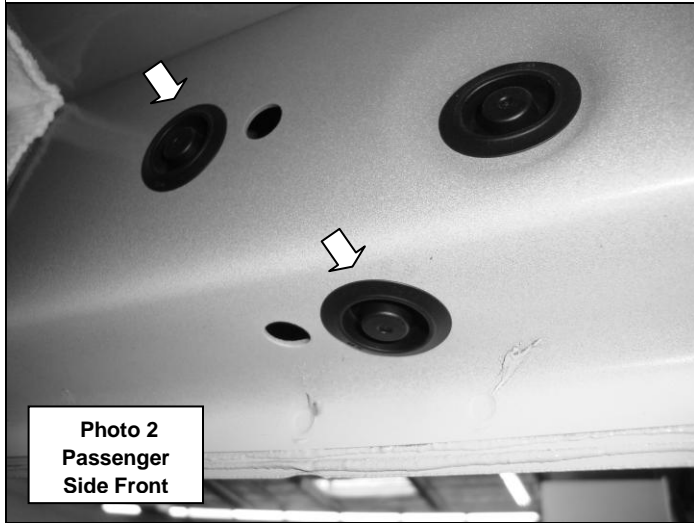
This installation uses 4 brackets per side, (Photo 1).

**Photo 1**

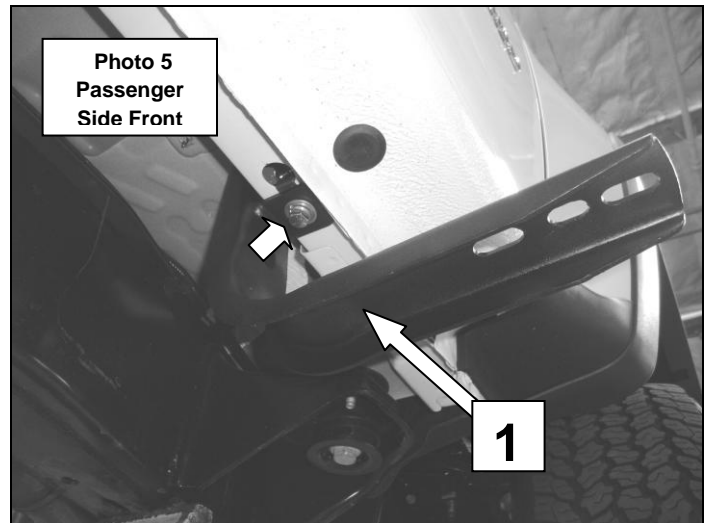
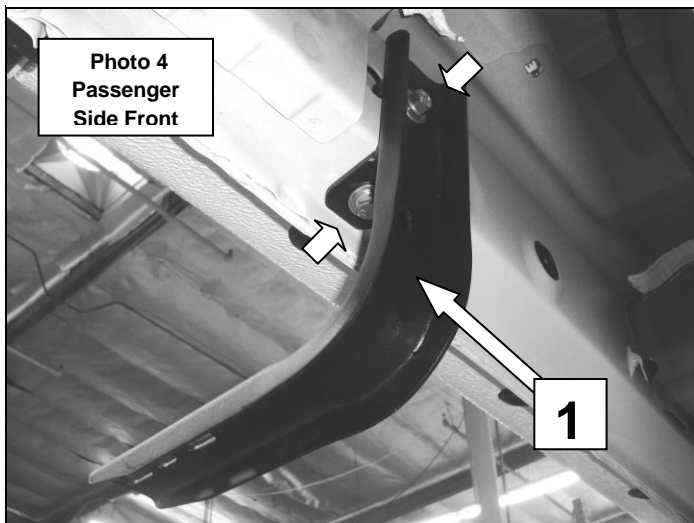


**Step-1** Begin the installation on the passenger side. Starting at the front of the vehicle, locate and remove the plastic plugs in the back side and bottom of rocker panel to expose the holes used for placement of the M8 Clip-Nuts, (**Photo 2**).

**Step-2** Install M8 Clip-Nuts in the rocker panel with the threaded end centered over the smaller hole, (**Photo 3**).

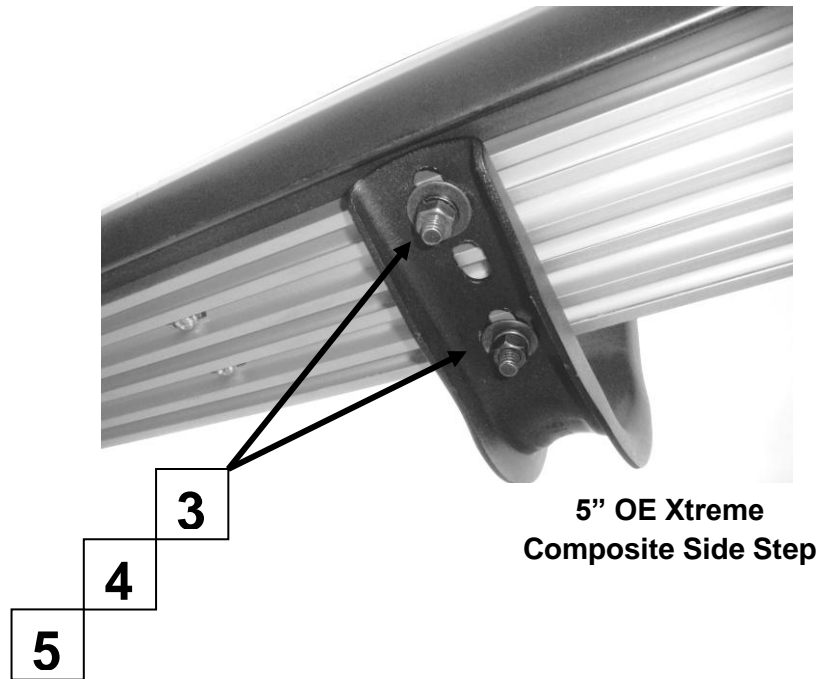


**Step-3** Attach one of the brackets to the rocker panel using (2) M8 hex bolts, (2) 5/16" flat washers and (2) 5/16" lock washers, (**Photo 4 & 5**). Leave the nut and bolts loose for final adjustment.

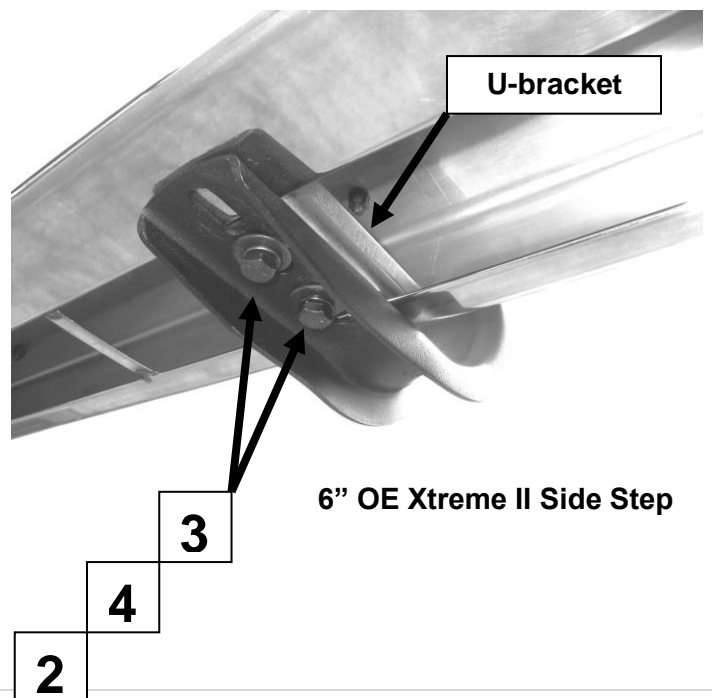
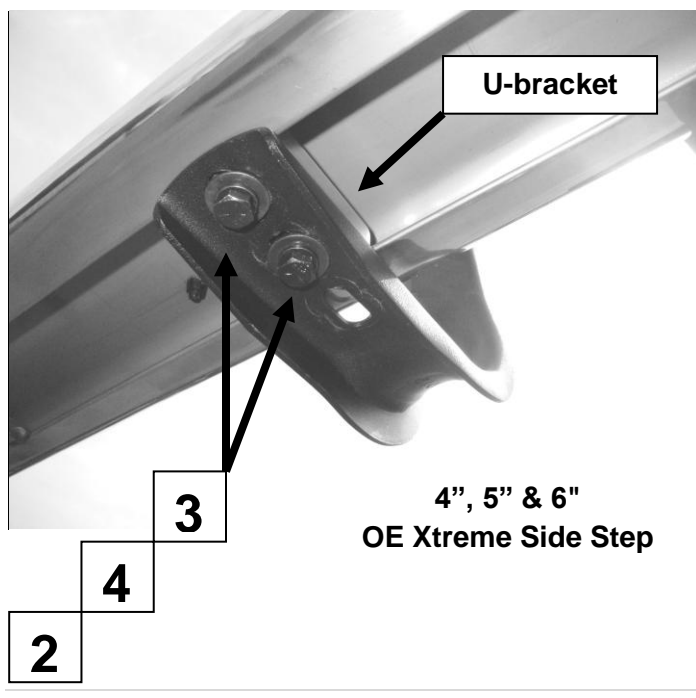


**Step-4** Locate the plastic plugs and holes in the rocker panel and repeat steps 1-3 to install the two center and one rear bracket.

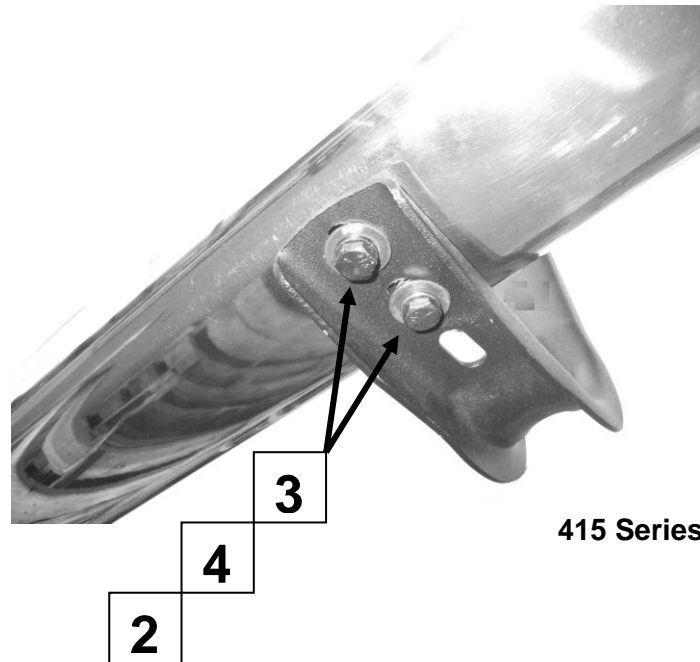
**Step-5** If installing Composite side steps, install (6) 5/16" square head bolts (included with side steps) in the aluminum rail on the underside of the side step. Place the side step on top of the mounting brackets so the threads of the square head bolts align and extend through the holes in the brackets. Secure the side step to each bracket using the square head bolts, (2) 5/16" flat washers, (2) 5/16" lock washers and (2) 5/16" hex nuts. Align the side step with the vehicle then tighten all side step and mounting bracket nuts and bolts, and factory body bolt.



**Step-5.1** If installing 4", 5" or 6" Multi Fit side steps place the side step on top of the mounting brackets and position the U-brackets (included with the side steps) inside the open channel in the bottom of the side step. Align the threaded holes in the U-brackets with the holes in the mounting brackets and secure the side step to each bracket using the U-bracket, (2) 5/16" x 1" hex bolts, (2) 5/16" lock washers and (2) 5/16" flat washers. Align the side step with the vehicle then tighten all side step and mounting bracket nuts and bolts, and factory body bolt.



**Step-5.2** If installing 415 side steps place the side step on top of the mounting brackets, align the threaded holes in the side step with the holes in the mounting brackets and secure the side step to each bracket using (2) 5/16" x 1" hex bolts, (2) 5/16" lock washers and (2) 5/16" flat washers. Align the side step with the vehicle then tighten all side step and mounting bracket nuts and bolts, and factory body bolt.



**Step-6** Repeat the above installation steps to install the mounting brackets and side step on the driver side of the vehicle.