

# INSTALLATION INSTRUCTIONS

BRACKET	OVAL SIDE BAR <u>WIDESIDER 4"</u>	WHEEL TO WHEEL WIDESIDER 4"	RUNNING BOARD WIDESIDER 5" & 6"	APPLICATION	MODEL
6841805	64180	-	39587	FORD SUPER DUTY CREW CAB.	99 - 13
	67180	-	39687		
	64176	-	39587	FORD SUPER DUTY EXT. CAB.	99 - 13
	67176	-	39687		
	-	641262	-	FORD SUPER DUTY CREW CAB. 6'	99 - 13
	-	641256	-	FORD SUPER DUTY EXT. CAB. 6'	99 - 13

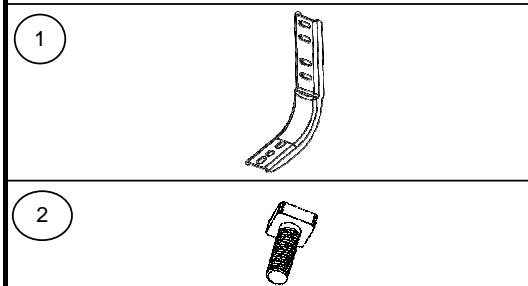
## Parts List:

ITEM	QTY	CODE	DESCRIPTION	MAX. TORQUE
1	3	3910306AB	Brackets set ( Front & Middle & Rear )	-
		<b>KTE-390305</b>	<b>Hardware kit includes:</b>	
2	12	-	5/16" Box head bolt	11 lb.ft
3	12	-	5/16" Flat washer	-
4	12	-	5/16" Lock washer	-
5	12	-	5/16" Hex nut	11 lb.ft
6	12	-	3/8 x 1 1/4" Hex head bolt	30 lb.ft
7	18	-	3/8" Flat washer	-
8	12	-	3/8" Lock washer	-
9	6	-	3/8" Hex nut	30 lb.ft
10	6	-	3/8" Clip nut	30 lb.ft

## Tools required not including:

DESCRIPTION	QTY
9/16" & 1/2" Hex socket / 9/16" Wrench	1
17mm Double hex socket ( 12 point ) or 15mm Wrench	1
Ratchet	1
Ratchet extension	1

## ILLUSTRATION 1



**NOTA: 64180B / 67180PS / 64176B / 67176PS 641262 (B-PS) / 641256 (B-PS) ADEMÁS:**

11	1	-	Oval side bar widesider 4"	-
----	---	---	----------------------------	---

## Instructions:

Approximated installation time: 30 min.

1. Before beginning the installation read all instructions thoroughly and verify that all hardware is accounted for. if there are any listed parts missing, please notify your distributor immediately.

## ILLUSTRATION 2

Running board widesider 5" & 6" /  
Oval Side Bar widesider 4"  
NOT INCLUDED

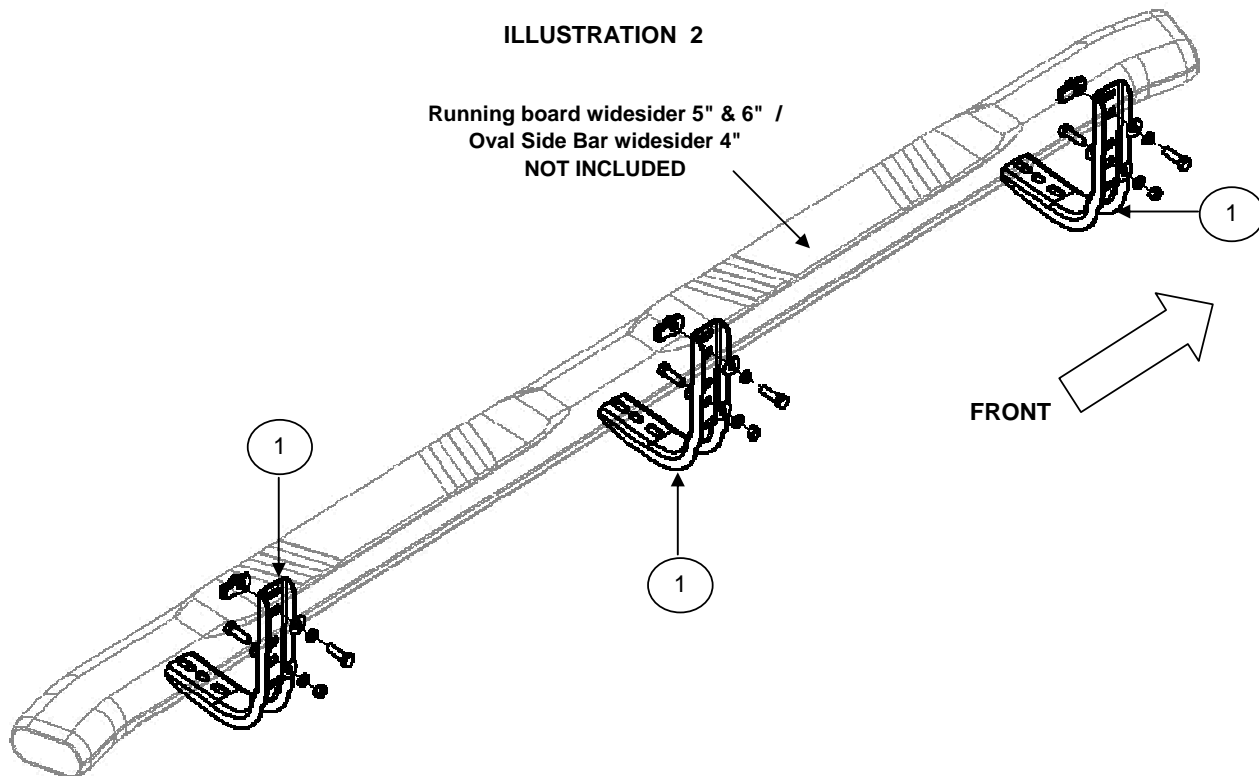


Illustration driver side.

**GO RHINO!**  
PRODUCTS®

## Cleaning and care instructions:

Design:

Quality:

Protect the finish with a non-abrasive automotive wax, (e.g. Pure Carnauba) on a regular basis. The use of any soap, polish, or wax that contains an abrasive is detrimental to the finish, as the compounds scratch the finish and cause corrosion.

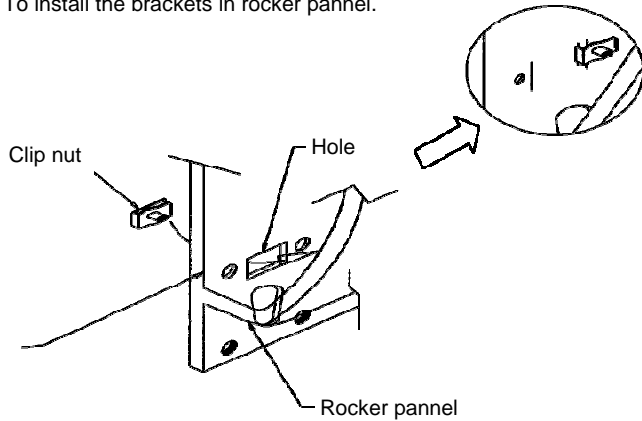


## INSTALLATION INSTRUCTIONS

2. Located holes inside the body in vehicle, front, middle, rear, place a clip nut in upper part. **SEE ILLUSTRATION 3.**

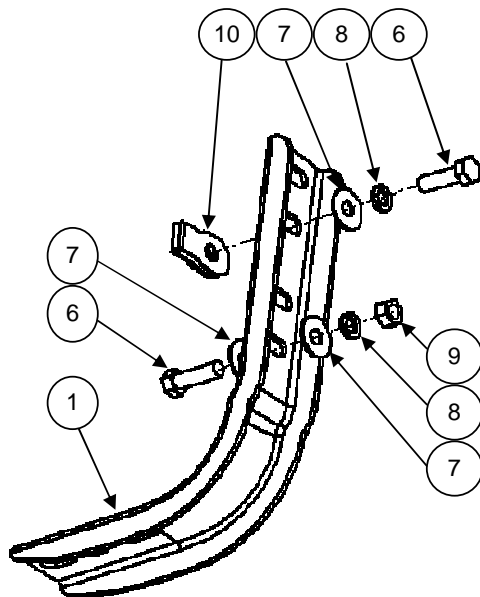
### ILLUSTRATION 3

To install the brackets in rocker panel.



3. Mount bracket and attach with: ( 1 ) 3/8 x 1 1/4" hex head bolt, ( 1 ) 3/8" flat and lock washers, in lower part attach with: ( 1 ) 3/8 x 1 1/4" hex head bolt, ( 2 ) 3/8 flat washer, ( 1 ) 3/8" lock washer, ( 1 ) 3/8" hex nut. **SEE ILLUSTRATION 4.** By each bracket. Leave loose.

### ILLUSTRATION 4



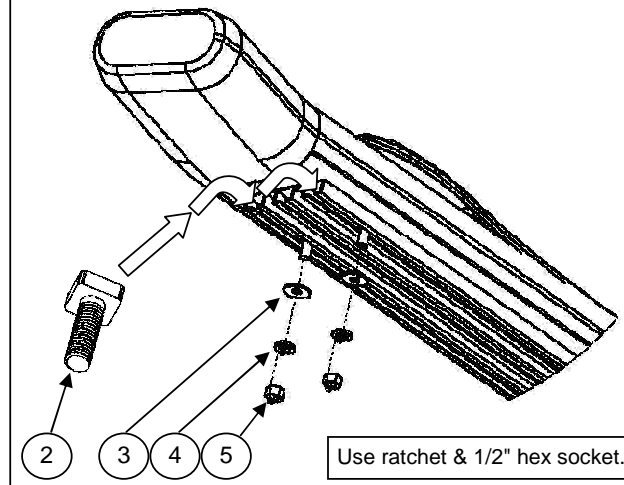
Use ratchet & 9/16" hex socket & 9/16" wrench.

Illustration to front, middle and rear part. Driver side.

4. If you acquired a Running board widesider 5" & 6", insert 5/16" square head bolt on rail, place on brackets and attach with: 5/16" Flat and lock washer, 5/16" hex nut. **SEE ILLUSTRATION 5.** Repeat for the opposite side. Leave loose.

### ILLUSTRACION 5

#### RUNNING BOARD WIDESIDER 5" & 6" INSTALLATION

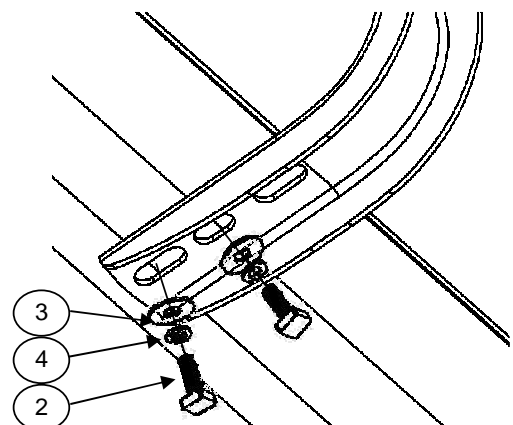


Use ratchet & 1/2" hex socket.

5. If you acquired a Oval side bar widesider 4", place on brackets and attach with: 5/16" square head bolt, 5/16" Flat and lock washer. **SEE ILLUSTRATION 6.** Repeat for the opposite side. Leave loose.  
6. Align Running board widesider 5" & 6" or Oval side bar widesider 4" and then tighten all bolts.  
7. Periodically check your product because it may need a re-tighten of bolts.  
8. Fill the warranty card and place it inside your vehicle's glove box.

### ILLUSTRACION 6

#### OVAL SIDE BAR WIDESIDER 4" INSTALLATION



Use ratchet & 17mm double hex socket ( 12 point ) or 15mm Wrench.

### Cleaning and care instructions:

Protect the finish with a non-abrasive automotive wax, (e.g. Pure Carnauba) on a regular basis. The use of any soap, polish, or wax that contains an abrasive is detrimental to the finish, as the compounds scratch the finish and cause corrosion.

Design:

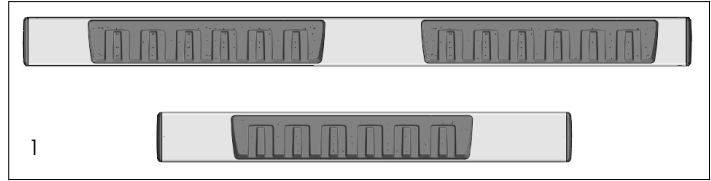
Quality:



## INSTALATION INSTRUCTIONS

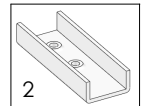
### UNIVERSAL RUNNING BOARD

Parts List			
Item	QTY	Code	Description
1	1 set		Running Board
2	6 pcs	397872AA	U (clamp) bracket



#### Required Tool:

- A. Ratchet w/5" extension
- B. 15mm wrench
- C. 17mm 12-point socket



- Before beginning the installation read all instructions thoroughly and verify that all hardware is accounted for. if there are any listed parts missing, please notify your distributor immediately.
- To maintain and care this product keep it clean and do not use abrasive cleaners or polish waxes. It is recommended to use only non-abrasive automotive wax such as pure carnauba to avoid scratches and rust.
- Once the main brackets are installed **(sold separately)**, the approximate installation time is **15 min.**
- Identify the outboard side of the running board prior to install. **See illustration 1.**
- Place the U brackets inside the Running Board. Move them to align to the main brackets.
- Place the flat and lock washers with the square head bolts. This hardware kit is included on the main brackets that are **(sold separately)**. **See illustration 2.**
- Align the Running board and tighten the bolts using the wrench or the socket.
- NOTE: For some regular cabs only two U brackets are needed per side.**

Illustration 1

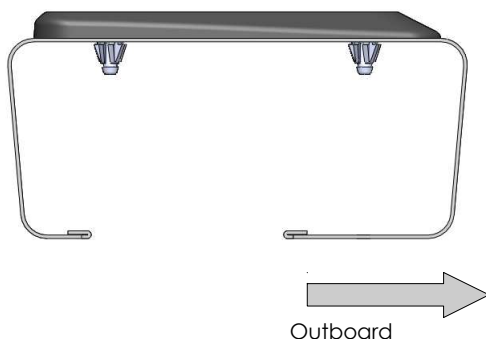


Illustration 2

