

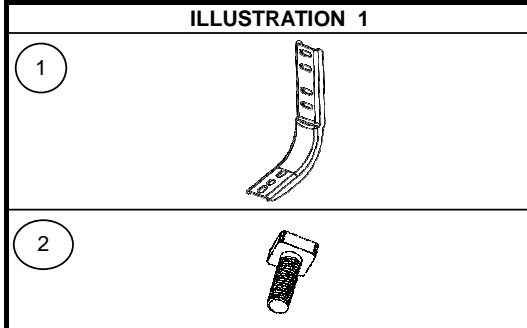
## INSTALLATION INSTRUCTIONS

BRACKET	OVAL SIDE BAR WIDESIDER 4"	WHEEL TO WHEEL WIDESIDER 4"	RUNNING BOARD WIDESIDER 5" & 6"	APPLICATION	MODEL
6841805	64180 67180	-	39587 39687	FORD SUPER DUTY CREW CAB.	99 - 13
	64176 67176	-	39587 39687	FORD SUPER DUTY EXT. CAB.	99 - 13
	-	641262	-	FORD SUPER DUTY CREW CAB. 6'	99 - 13
	-	641256	-	FORD SUPER DUTY EXT. CAB. 6'	99 - 13

**Parts List:**

ITEM	QTY	CODE	DESCRIPTION	MAX. TORQUE
1	3	3910306AB	Brackets set ( Front & Middle & Rear )	-
			<b>KTE-390305 Hardware kit includes:</b>	
2	12	-	5/16" Box head bolt	11 lb.ft
3	12	-	5/16" Flat washer	-
4	12	-	5/16" Lock washer	-
5	12	-	5/16" Hex nut	11 lb.ft
6	12	-	3/8 x 1 1/4" Hex head bolt	30 lb.ft
7	18	-	3/8" Flat washer	-
8	12	-	3/8" Lock washer	-
9	6	-	3/8" Hex nut	30 lb.ft
10	6	-	3/8" Clip nut	30 lb.ft

Tools required not including:	
DESCRIPTION	QTY
9/16" & 1/2" Hex socket / 9/16" Wrench	1
17mm Double hex socket ( 12 point ) or 15mm Wrench	1
Ratchet	1
Ratchet extension	1



**Approximated installation time: 30 min.**

**NOTA: 64180B / 67180PS / 64176B / 67176PS 641262 (B-PS) / 641256 (B-PS) ADEMÁS:**

11	1	-	Oval side bar widesider 4"	-
----	---	---	----------------------------	---

**Instructions:**

1. Before beginning the installation read all instructions thoroughly and verify that all hardware is accounted for. if there are any listed parts missing, please notify your distributor immediately.

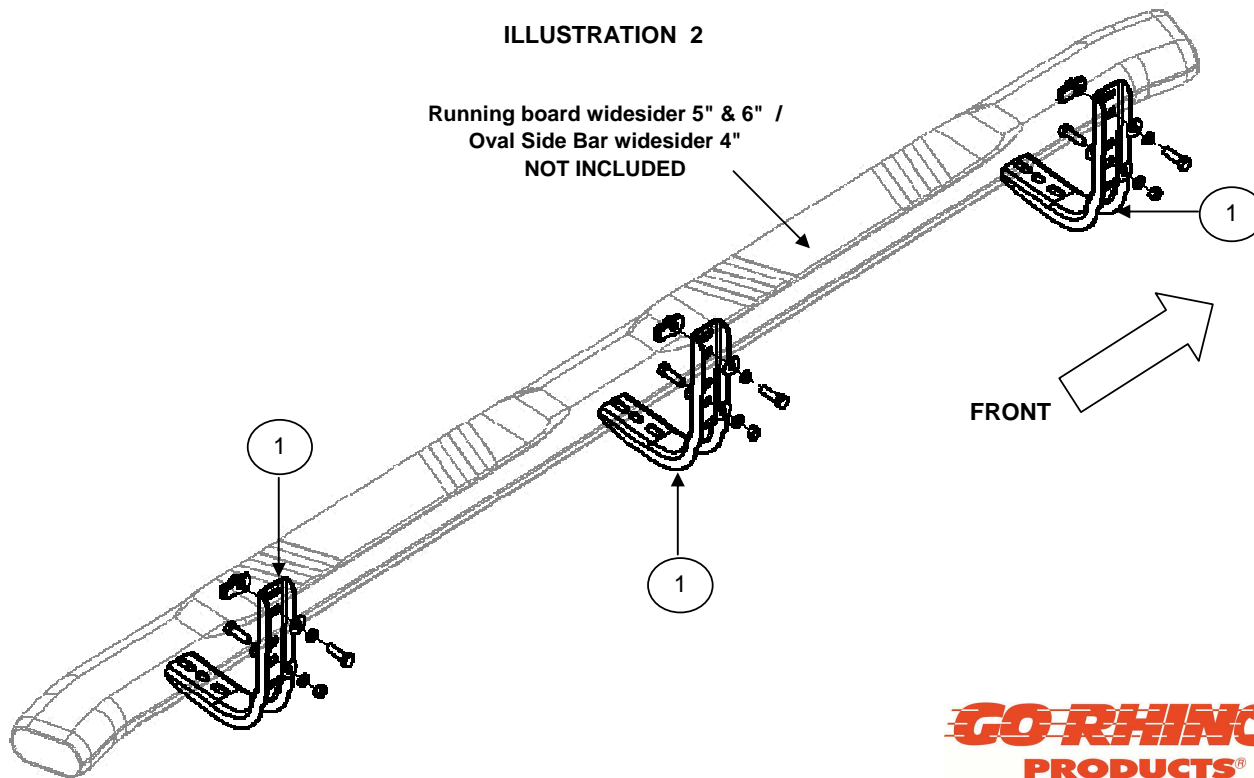


Illustration driver side.

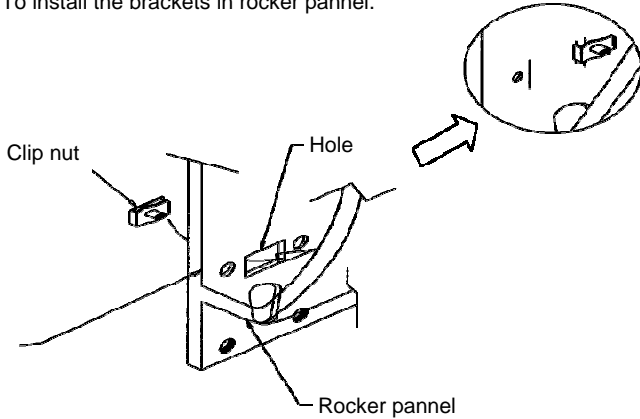


## INSTALLATION INSTRUCTIONS

2. Located holes inside the body in vehicle, front, middle, rear, place a clip nut in upper part. **SEE ILLUSTRATION 3.**

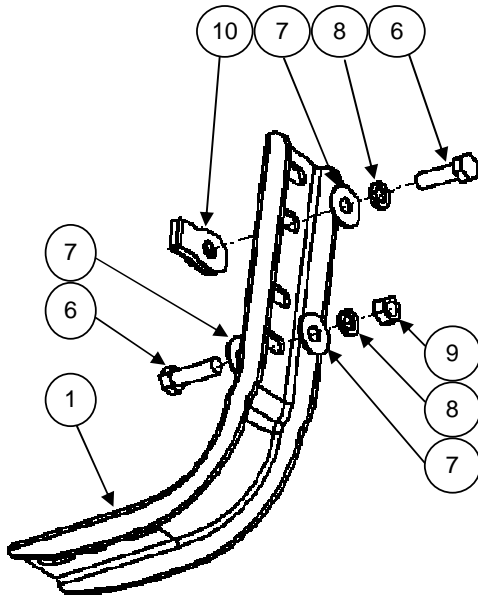
### ILLUSTRATION 3

To install the brackets in rocker panel.



3. Mount bracket and attach with: ( 1 ) 3/8 x 1 1/4" hex head bolt, ( 1 ) 3/8" flat and lock washers, in lower part attach with: ( 1 ) 3/8 x 1 1/4" hex head bolt, ( 2 ) 3/8 flat washer, ( 1 ) 3/8" lock washer, ( 1 ) 3/8" hex nut. **SEE ILLUSTRATION 4.** By each bracket. Leave loose.

### ILLUSTRATION 4



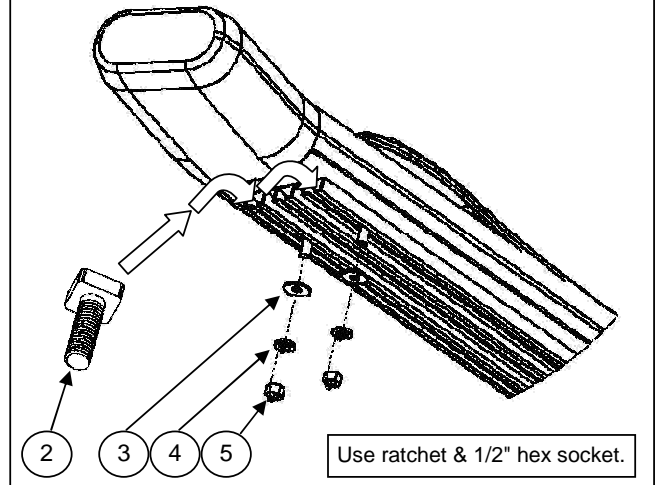
Use ratchet & 9/16" hex socket & 9/16" wrench.

Illustration to front, middle and rear part. Driver side.

4. If you acquired a Running board widesider 5" & 6", insert 5/16" square head bolt on rail, place on brackets and attach with: 5/16" Flat and lock washer, 5/16" hex nut. **SEE ILLUSTRATION 5.** Repeat for the opposite side. Leave loose.

### ILLUSTRACION 5

#### RUNNING BOARD WIDESIDER 5" & 6" INSTALLATION



5. If you acquired a Oval side bar widesider 4", place on brackets and attach with: 5/16" square head bolt, 5/16" Flat and lock washer. **SEE ILLUSTRATION 6.** Repeat for the opposite side. Leave loose.  
 6. Align Running board widesider 5" & 6" or Oval side bar widesider 4" and then tighten all bolts.  
 7. Periodically check your product because it may need a re-tighten of bolts.  
 8. Fill the warranty card and place it inside your vehicle's glove box.

### ILLUSTRACION 6

#### OVAL SIDE BAR WIDESIDER 4" INSTALLATION

