

PARTS LIST

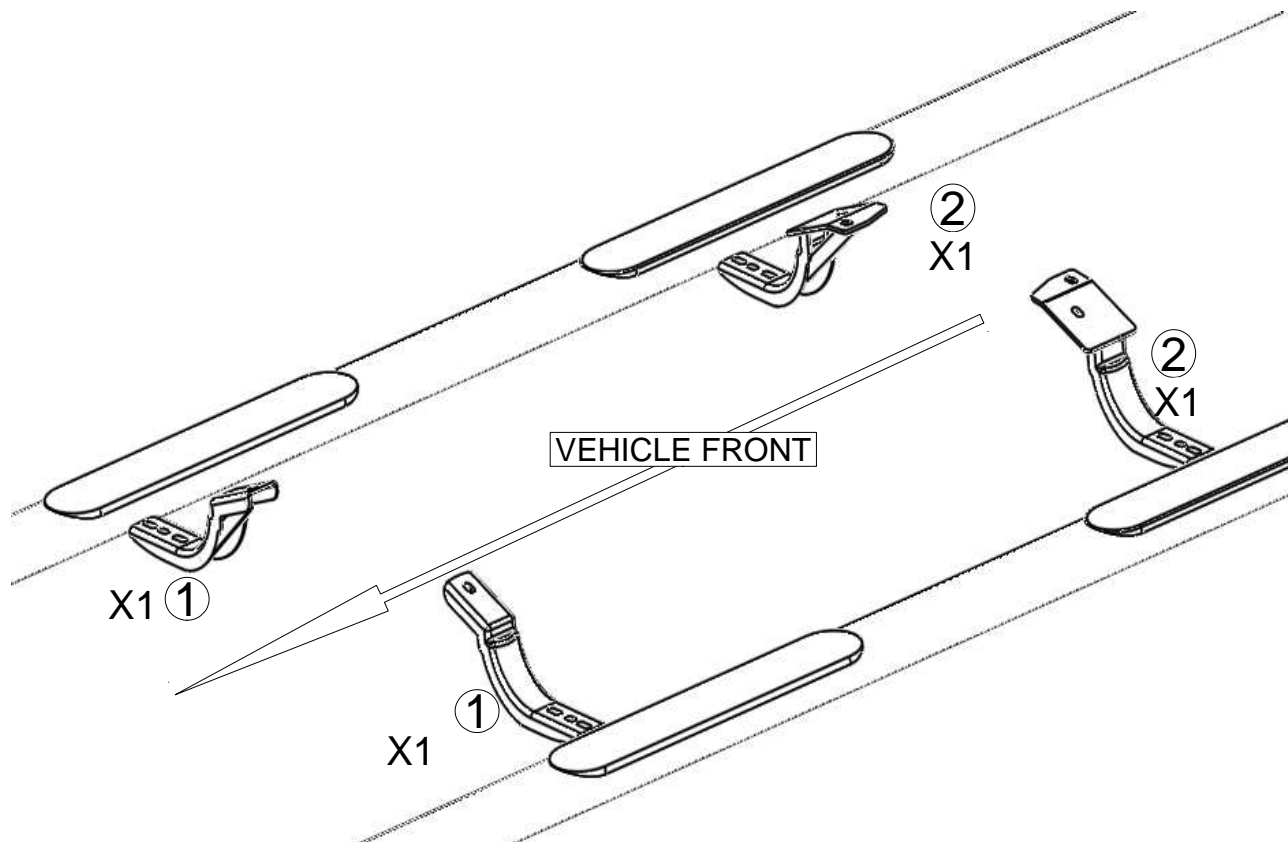
item	Qty.	Code	Description	MAX Torque
1	2	3912700AA	FRONT BRACKET	
2	1	3912700BA	REAR BRACKET SET	
3	6	-	3/8" BOLT PLATE	
	1	KTE-3912705	HARDWARE KIT	
4	6	-	3/8" FLAT WASHER	
5	6	-	3/8" LOCK WASHER	
6	6	-	3/8" HEX NUT	

TOOL REQUIRED:

A. RATCHET

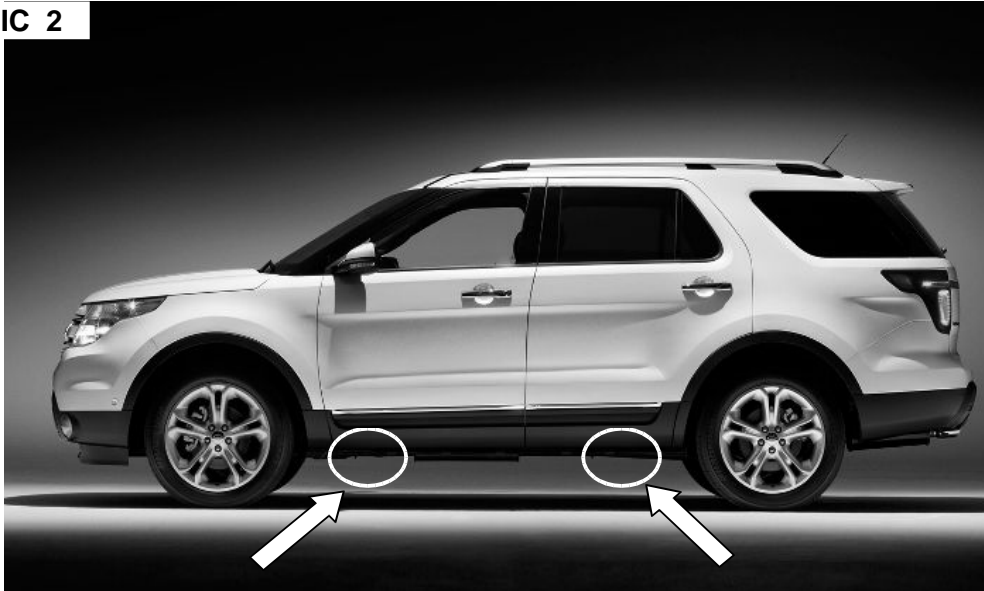
B. SOCKET: 9/16"

C. WRENCH: 9/16"



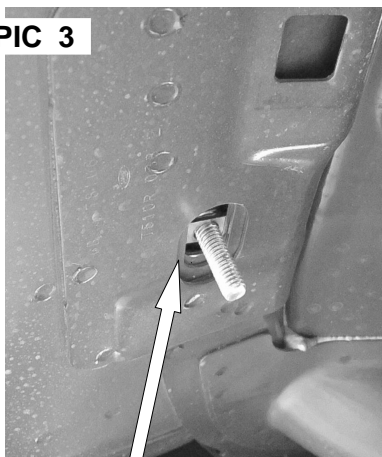
1. Before beginning the installation read all instructions Carefully and verify that all the hardware is accounted for. If there are any listed part missing please notify your distributor immediately.
2. To maintain and care this product keep it clean and do not use abrasive cleaners or polish waxes. We recommend to use only non-abrasive automotive wax such as pure carnauba to avoid scratches and rust.
3. The approximated installation time is 40 min.
4. Locate the holes in the rocket panel of the vehicle. **Pic. 2**

PIC 2



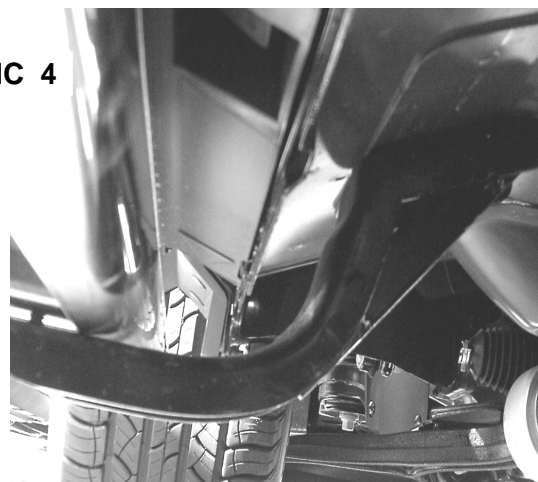
5. install the front bracket using the 3/8" bolt plate by inserting the bolt plate into the car body. Attach the front bracket using 3/8" hex nut, flat and lock silver washer. do not tight yet. (pic.3/4)

PIC 3



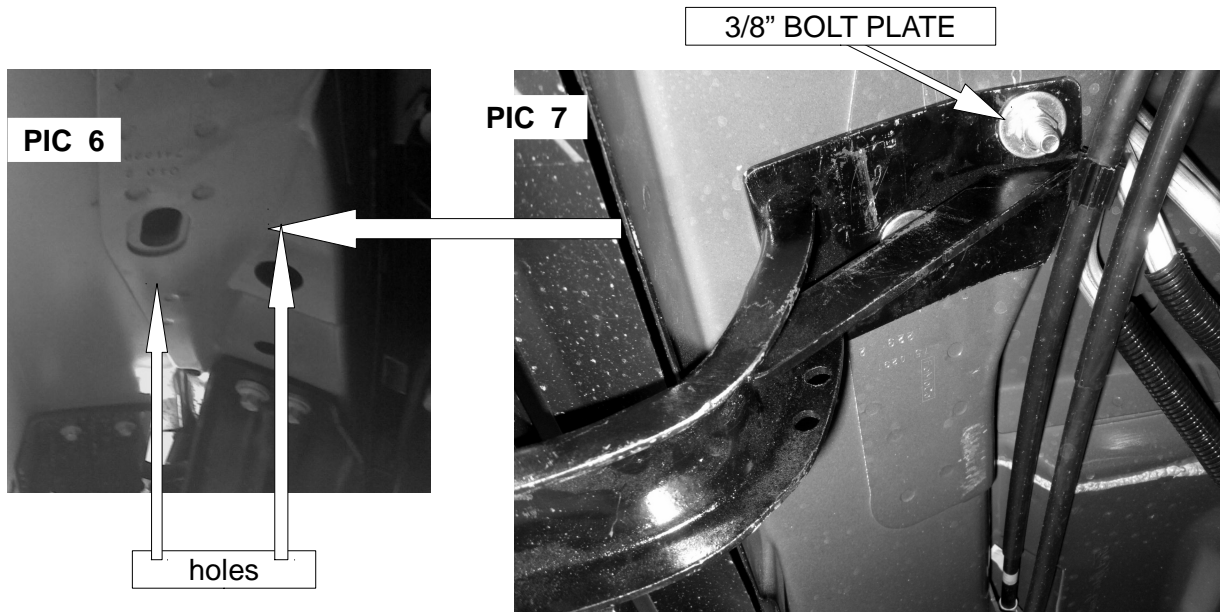
3/8" BOLT PLATE

PIC 4

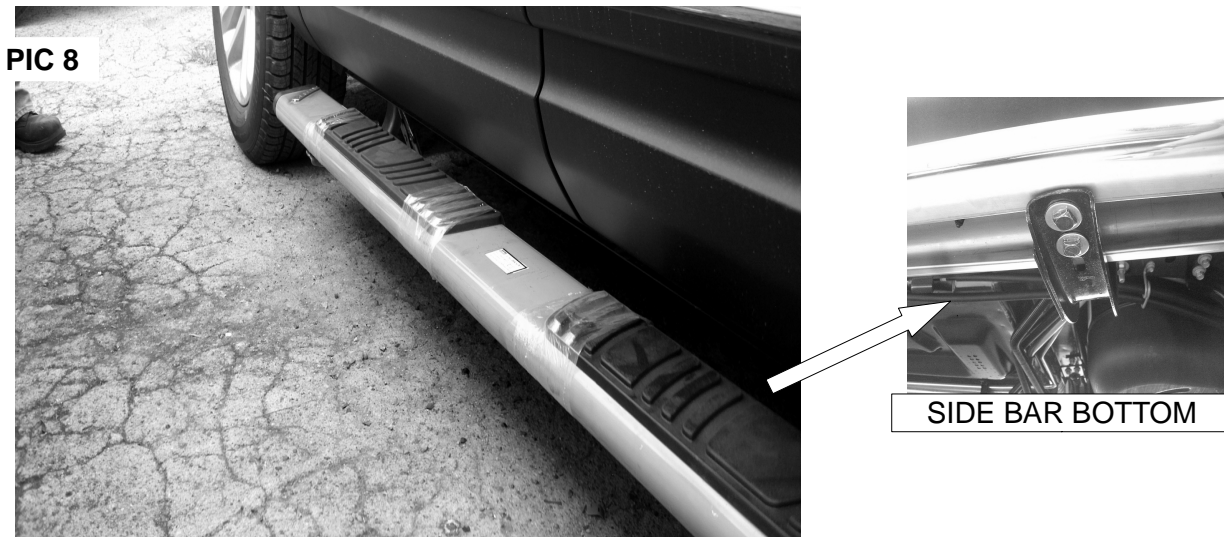


DRIVER SIDE FRONT BRACKET

6. Insert two 3/8" bolt plates into the holes shown in picture 6. Place the rear bracket as picture 7 shows, and attach to the bolt plates inserted , using 3/8" Flat and lock silver washers and 3/8" hex nut .do no tight yet. (pic. 6 / 7)



7. Place the side bar on the installed brackets and attach whit "U" bracket from the side bar hardware kit. Attach whit 5/16" square head bolts, 5/16" flat and lock black washers. (PIC 8)



8. Align the side bar and tight all the hardware.