

INSTALLATION INSTRUCTIONS

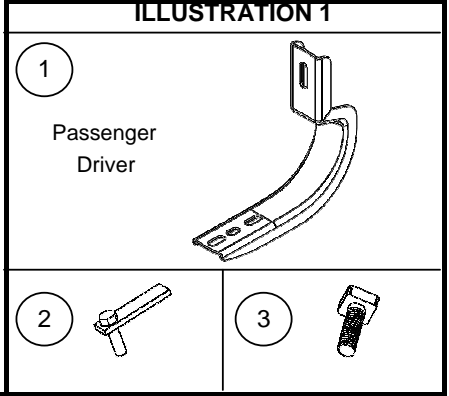
| BRACKET | OVAL SIDE BAR WIDESIDER 4" | WHEEL TO WHEEL WIDESIDER 4" | RUNNING BOARD WIDESIDER 5" & 6" | APPLICATION | MODEL |
|---------|-------------------------------|--------------------------------|------------------------------------|---------------------------|---------|
| 6841265 | 64126 | - | 680087 | FORD F-150 EXT. CAB. | 04 - 11 |
| | 64150 | - | 680087 | FORD F-150 CREW CAB. | 04 - 08 |
| | 64151 | - | 680087 | FORD F-150 CREW CAB. | 09 - 11 |
| | - | 641249 | - | FORD F-150 CREW CAB. 5.5' | 09 - 11 |
| | - | 641126 | - | FORD F-150 EXT. CAB. 6.5' | 04 - 11 |
| | - | - | - | FORD F-150 CREW CAB. 5.5' | 04 - 08 |
| | - | - | - | - | - |
| | - | - | - | - | - |

Parts List:

| ITEM | QTY. | CODE | DESCRIPTION | TORQUE |
|--|------|----------|--|------------------|
| 1 | 3 | 391694BB | Brackets set (Front & Middle & Rear) | - |
| 2 | 2 | 371980EA | 3/8" bolt plate | 30 Lb/Ft |
| KTE-391695 Hardware kit including: | | | | |
| 3 | 12 | - | 5/16" Square head bolt | 11 Lb/t |
| 4 | 12 | - | 5/16" Flat washer | - |
| 5 | 12 | - | 5/16" Lock washer | - |
| 6 | 12 | - | 5/16" Hex nut | 11 Lb/t |
| 7 | 6 | - | 3/8" Clip nut | - |
| 8 | 6 | - | 3/8 x 1 1/4" Hex head bolt | 30 Lb/Ft |
| 9 | 6 | - | 3/8 x 1 1/4" Carriage head bolt | 30 Lb/Ft |
| 10 | 12 | - | 3/8" Flat washer | - |
| 11 | 12 | - | 3/8" Lock washer | - |
| 12 | 8 | - | 3/8" Hex nut | 30 Lb/Ft |
| 13 | 2 | - | Gasket vinyl | - |
| NOTE: 64126(B-PS) / 64150(B-PS) / 64151(B-PS) / 641249(B-PS) / 641126(B-PS) | | | | INCLUDES: |
| 14 | 1 | - | Oval side bar widesider 4" | - |

Tools required not including:

| DESCRIPTION | QTY |
|--|-----|
| 9/16" & 1/2" Hex socket | 1 |
| 17mm Double hex socket (12 point) or 15mm Wrench | 1 |
| Ratchet | 1 |
| Ratchet extension | 1 |



Instructions:

Approximated installation time: 30 min.

1. Before beginning the installation read all instructions thoroughly and verify that all hardware is accounted for. If there are any listed parts missing, please notify your distributor immediately.

ILLUSTRATION 2.

Running board widesider 5" & 6" /
Oval Side Bar widesider 4"
NOT INCLUDED

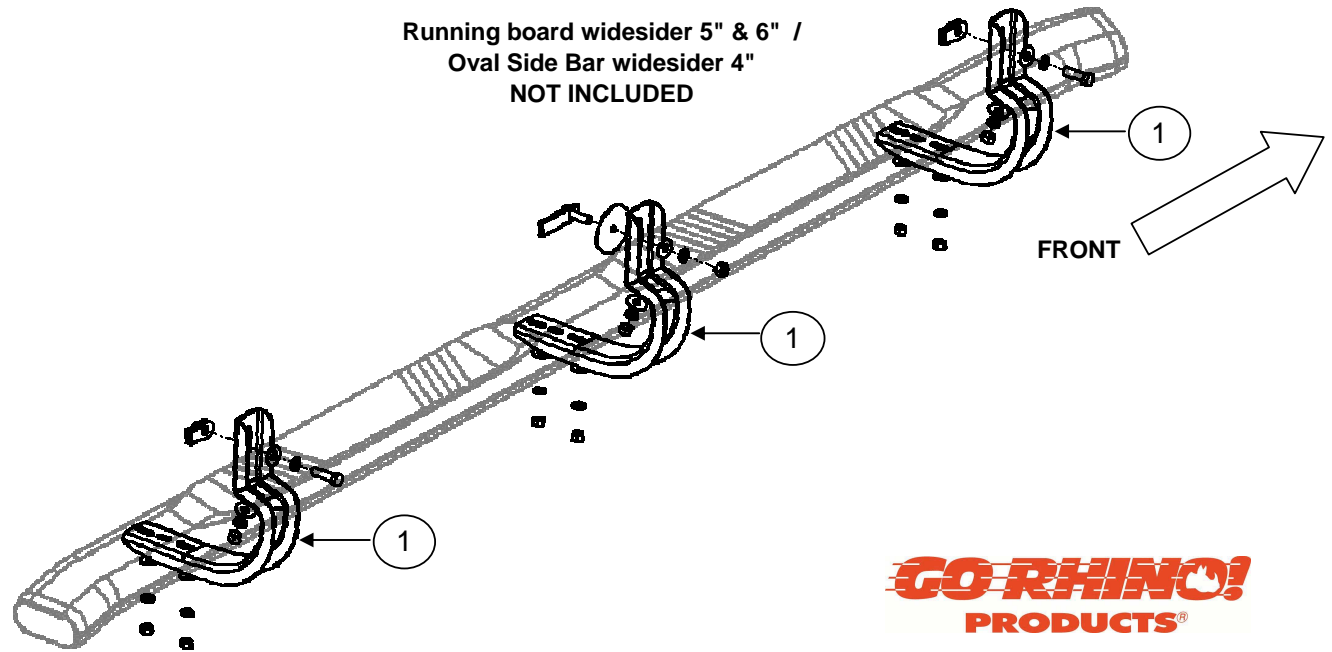
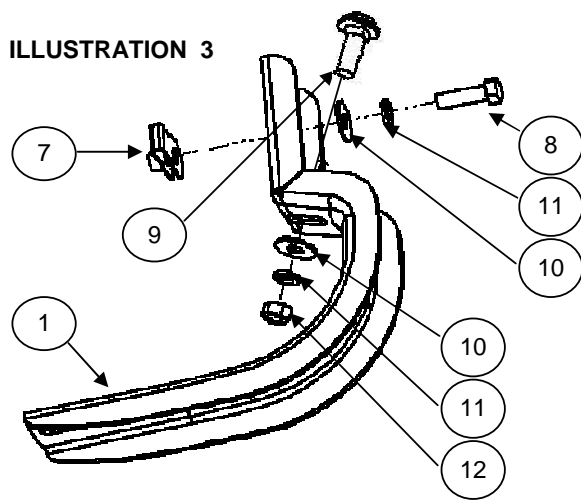


Illustration driver side.

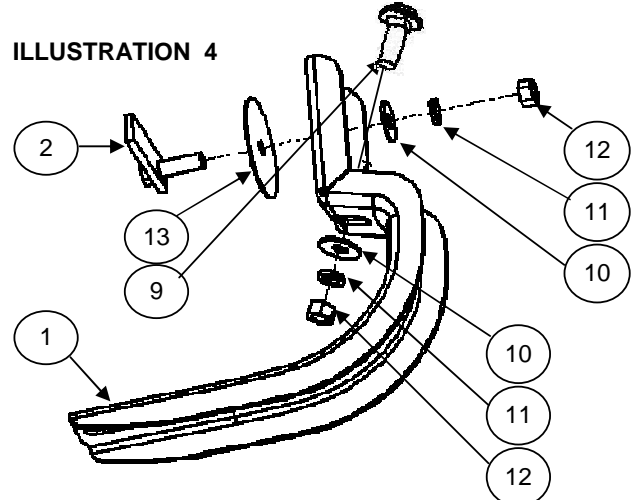


INSTALLATION INSTRUCTIONS

2. Located holes inside the body of vehicle, front, middle, rear, place a clip nut in upper part. Mount bracket and attach with: 3/8 x 1 1/4" hex head bolt, 3/8" flat and lock washers. **NOTE 1: Models 2009 - 2010 insert 3/8" bolt plate, gasket vinyl, middle part, attach with: 1 3/8" flat and lock washers, 3/8" hex nut.** In lower part by each bracket attach with: 3/8 x 1" carriage head bolt, 3/8" flat and lock washers, 3/8" hex nut. **SEE ILLUSTRATION 3 & 4.** Leave loose. Repeat in opposite side.



9/16" Use ratchet & socket.



9/16" Use ratchet & socket.

In models 09 - 10 front and rear part. Driver side.
In models 04 - 10 front, middle and rear part. Driver side.

In models 09 - 10 middle part. Driver side.

3. If you acquired a Running board widesider 5" & 6", insert 5/16" square head bolt on rail, place on brackets and attach with: 5/16" Flat and lock washer, 5/16" hex nut. **SEE ILLUSTRATION 5.** Repeat for the opposite side. Leave loose.

4. If you acquired a Oval side bar widesider 4", place on brackets and attach with: 5/16" square head bolt, 5/16" Flat and lock washer. **SEE ILLUSTRATION 6.** Repeat for the opposite side. Leave loose.

5. Align Running board widesider 5" & 6" or Oval side bar widesider 4" and then tighten all bolts.

6. Do not use abrasive substances to clean your product.

7. Periodically check your product because it may need a re-tighten of bolts.

8. Fill the warranty card and place it inside your vehicle's glove box.

ILLUSTRATION 5

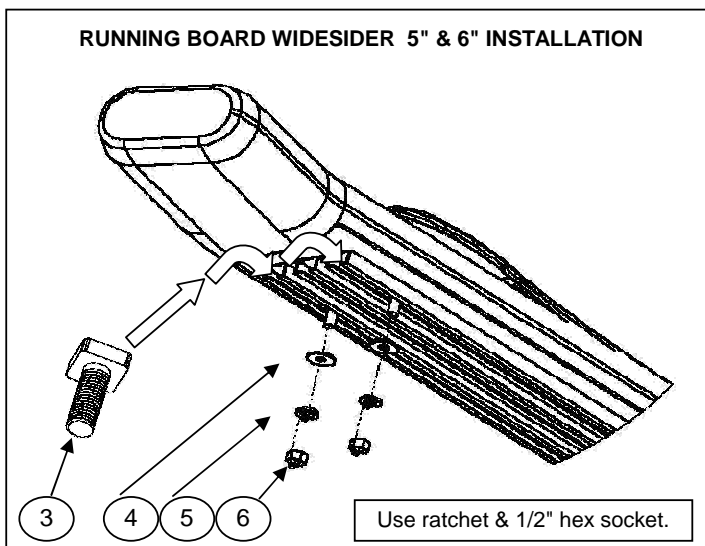


ILLUSTRATION 6

