

INSTALLATION INSTRUCTIONS

BRACKET	OVAL SIDE BAR WIDESIDER 4"	WHEEL TO WHEEL WIDESIDER 4"	RUNNING BOARD WIDESIDER 5" & 6"	APPLICATION	MODEL
684099	64099 67099	-	680080	Dodge Ram 1500(USA) 2500(MEX) Quad Cab	09 - 12
	64106 67106	-	680087	Dodge Ram 1500 (USA) 2500 (MEX) Crew Cab	09 - 12
	64107	-	-	Dodge Ram 2500HD/3500HD Mega Cab	2010

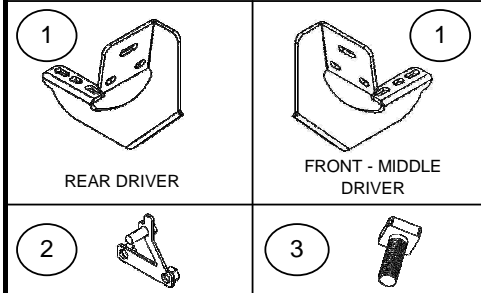
Parts List:

ITEM	QTY.	CODE	DESCRIPTION	TORQUE
1	3	392244AB	Brackets set (Front & Middle & Rear)	-
2	6	372240BA	T Plate	30 Lb/Ft
KTE-392245 Hardware kit including:				
3	12	-	5/16" Square head bolt	11 Lb/t
4	12	-	5/16" Flat washer	-
5	12	-	5/16" Lock washer	-
6	12	-	5/16" Hex nut	11 Lb/t
7	12	-	3/8 x 1" Hex. Head bolt	30 Lb/Ft
8	18	-	3/8" Flat washer	-
9	18	-	3/8" Lock washer	-
10	6	-	3/8" Hex nut	30 Lb/Ft
11	6	-	Vinyl gasket	-
NOTE: 64099-67099 (B-PS) - 64106-67106 (B-PS) - 64107 (B-PS) INCLUDES:				
12	1	-	Oval side bar widesider 4"	-

Tools required not including:

DESCRIPTION	QTY
1/2" & 9/16" Hex Socket	1
17mm Double hex socket (12 point) or 15mm Wrench	1
Ratchet	1
Extension ratchet	1

ILLUSTRATION 1



Approximated installation time: 30 min.

Instructions:

1. Before beginning the installation read all instructions thoroughly and verify that all hardware is accounted for. if there are any listed parts missing, please notify your distributor immediately.

ILLUSTRATION 2

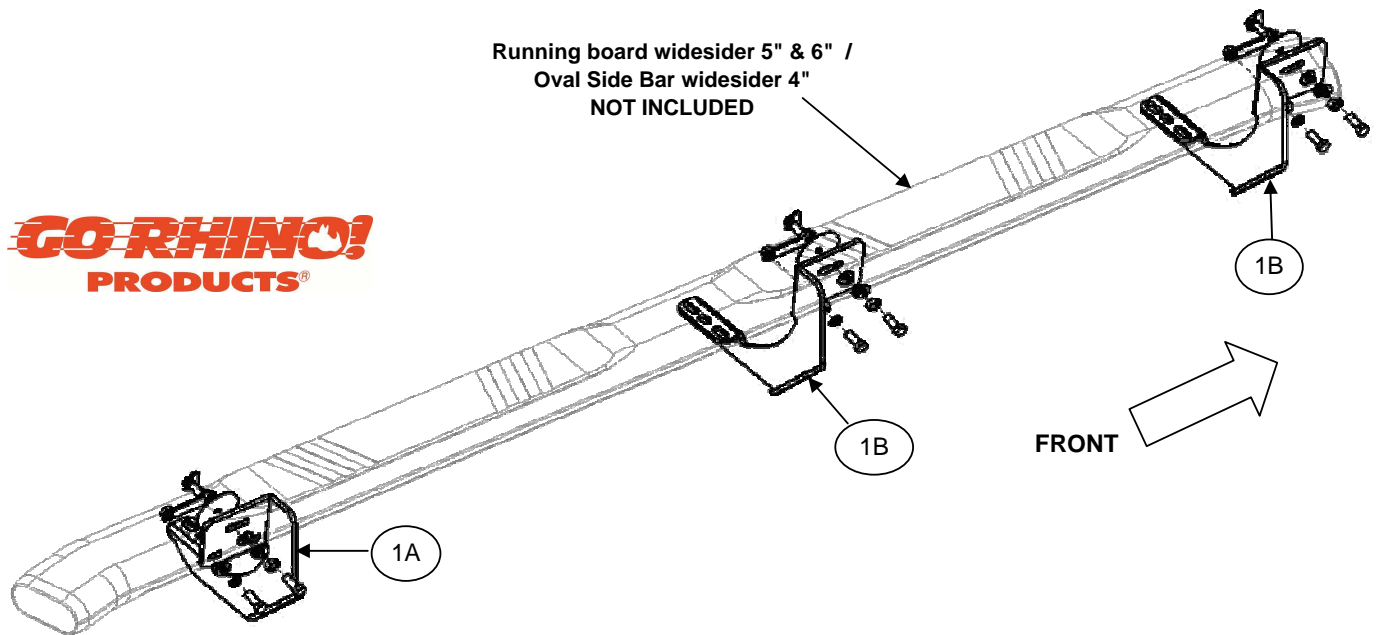


Illustration driver side.

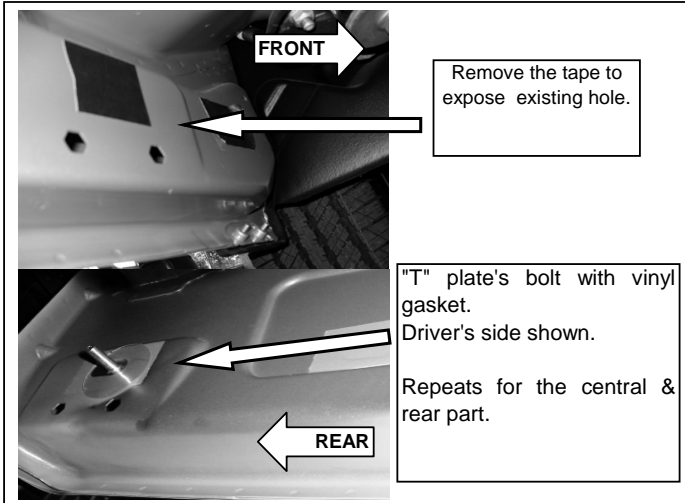


INSTALLATION INSTRUCTIONS

2. To install front, middle and rear mounting brackets locate in the rocker panel the holes covered in tape and remove the tape. Place one vinyl gasket to the bolt of the "T" plate then insert into the exposed hole. **SEE PICTURE 1.**

NOTE 1: It is important to place vinyl gaskets to the bolts to prevent the "T" plate from falling into the rocker panel.

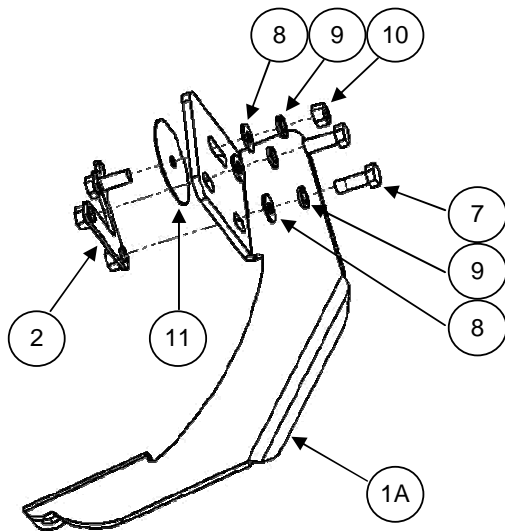
PICTURE 1



3. Place the front and middle bracket and attach to the bolt of the plate that it placed in the panel of the vehicle with: 3/8" flat and lock washers, 3/8" hex nut.

And to the nuts of the T plate with: 3/8 x 1" hex head bolt, 3/8" flat and lock washer. **SEE ILLUSTRATION 3.** Leave loose.

ILLUSTRATION 3



Use ratchet & 9/16" hex socket.

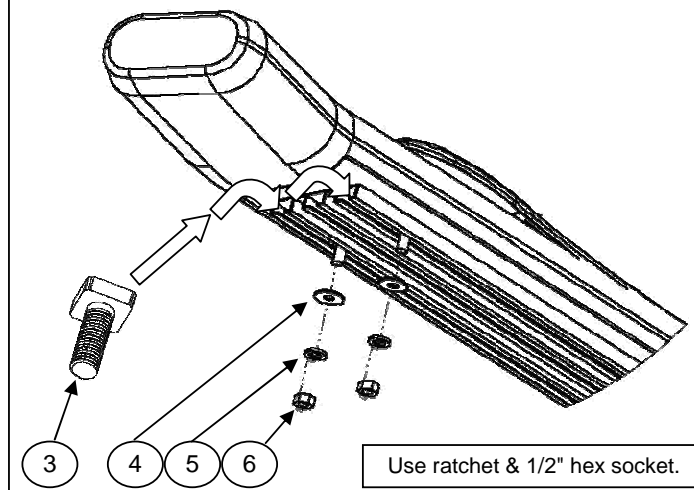
4. Place the rear bracket and attach of the same form that front and middle bracket. **SEE ILLUSTRATION 3.** Leave loose.

Repeat in opposite side.

5. If you acquired a Running board widesider 5" & 6", insert 5/16" square head bolt on rail, place on brackets and attach with: 5/16" Flat and lock washer, 5/16" hex nut. **SEE ILLUSTRATION 4.** Repeat for the opposite side. Leave loose.

ILLUSTRATION 4

RUNNING BOARD WIDESIDER 5" & 6" INSTALLATION



6. If you acquired a Oval side bar widesider 4", place on brackets and attach with: 5/16" square head bolt, 5/16" Flat and lock washer. **SEE ILLUSTRATION 5.** Repeat for the opposite side. Leave loose.

7. Align Running board widesider 5" & 6" or Oval side bar widesider 4" and then tighten all bolts.

8. Periodically check your product because it may need a re-tighten of bolts.

9. Fill the warranty card and place it inside your vehicle's glove box.

ILLUSTRATION 5

OVAL SIDE BAR WIDESIDER 4" INSTALLATION

