

INSTALLATION INSTRUCTIONS

BRACKET	OVAL SIDE BAR WIDESIDER 4"	WHEEL TO WHEEL WIDESIDER 4"	RUNNING BOARD WIDESIDER 5" & 6"	APPLICATION	MODEL
684049	64046 67046	-	39087	GMC SIERRA / SILVERADO CREW CAB.	99 - 06 & 2011

Parts List:

ITEM	QTY	CODE	DESCRIPTION	TORQUE MAX.
1	1	391014AA	Front mounting bracket set	-
2	1	391014DA	Middle mounting bracket set	-
3	1	391014BA	Rear mounting bracket set	-
4	2	391014FA	Front and middle auxiliary bracket set	-
5	1	391014EA	Rear auxiliary bracket set	-
6	6	3713312	5/16" bolt plate	11 Lb-Ft
7	12	KTE-391015	Hardware kit including:	
		-	5/16" Square head bolt	11 Lb-Ft
8	18	-	5/16" Flat washer	-
9	18	-	5/16" Lock washer	-
10	18	-	5/16" hex nut	11 Lb-Ft
11	6	-	M12 x 120mm Hex head bolt	70 Lb-Ft
12	6	-	1/2" Flat washer	-
13	6	-	1/2" Lock washer	-
14	6	-	3/8 x 1" Carriage head bolt	30 Lb-Ft
15	6	-	3/8" Flat washer	-
16	6	-	3/8" Lock washer	-
17	6	-	3/8" Hex nut	30 Lb-Ft
NOTE: 64046-67046 (B-PS) INCLUDES:				
18	1	-	Oval side bar widesider 4"	

Tools required not including:

DESCRIPTION	QTY
Socket hex 18mm-19mm -9/16" - 1/2"	1
17mm Double hex socket (12 point) or 15mm Wrench	1
Ratchet	1
Extension ratchet	1

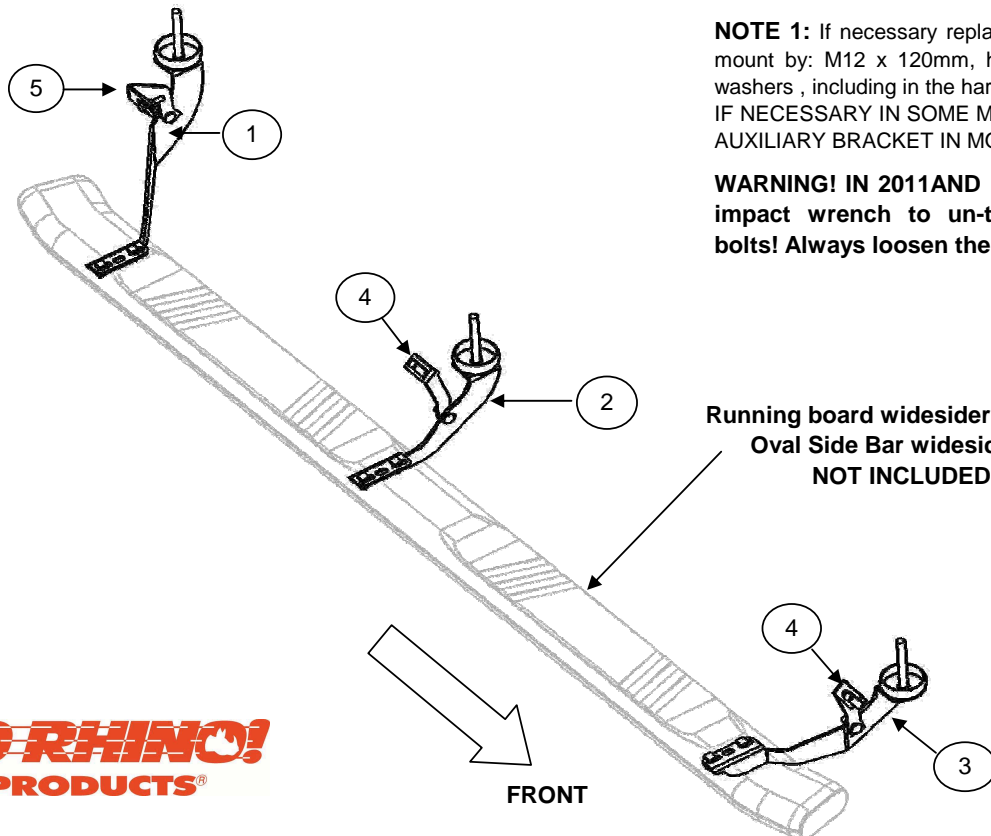
ILLUSTRATION 1

Approximated installation time: 40 min.

Instructions:

1. Before beginning the installation read all instructions thoroughly and verify that all hardware is accounted for. If there are any listed parts missing, please notify your distributor immediately.

ILLUSTRATION 2



NOTE 1: If necessary replace each bolt that holds the body mount by: M12 x 120mm, hex head bolt, 1/2" flat and lock washers, including in the hardware kit.
IF NECESSARY IN SOME MODELS DRILL TO INSTALL THE AUXILIARY BRACKET IN MODEL 99 - 02

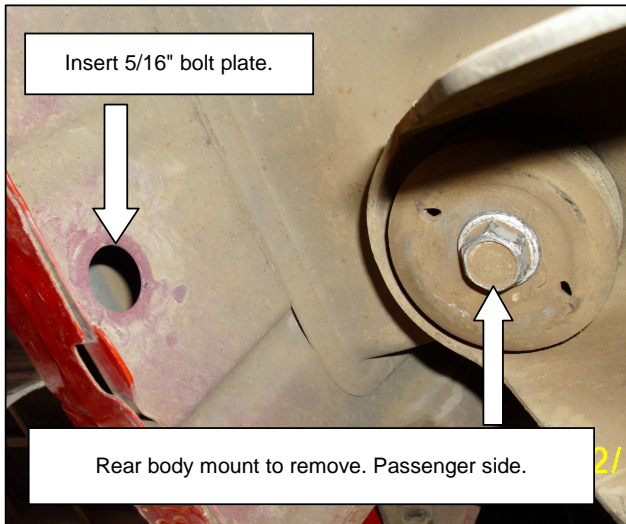
WARNING! IN 2011 AND UP MODELS. Do not use an impact wrench to un-tighten the body mounting bolts! Always loosen them by hand.

Running board widesider 5" & 6" /
Oval Side Bar widesider 4"
NOT INCLUDED



INSTALLATION INSTRUCTIONS

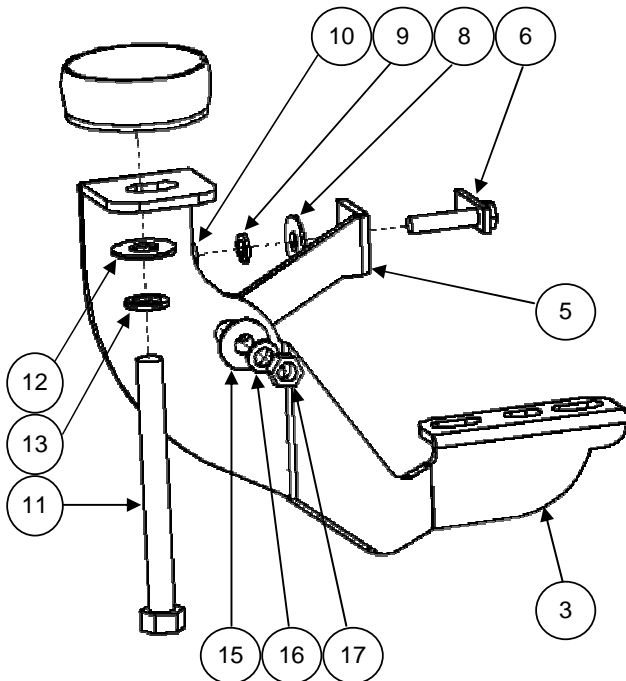
PICTURE 3



7. Install the middle bracket and attach with bolts before removed. Locates to the rubber plug that is in the rocker of the vehicle, remove and insert 5/16" bolt plate.

Mounts the rear auxiliary bracket and attach with: 5/16" flat and lock washers, 5/16" hex nut. In the other side of the bracket attach with the rear bracket: 3/8 x 1" carriage head bolt, 3/8" flat and lock washers, 3/8" hex nut. **SEE PICTURE 3, ILLUSTRATION 5.** Leave loose.

ILLUSTRATION 5

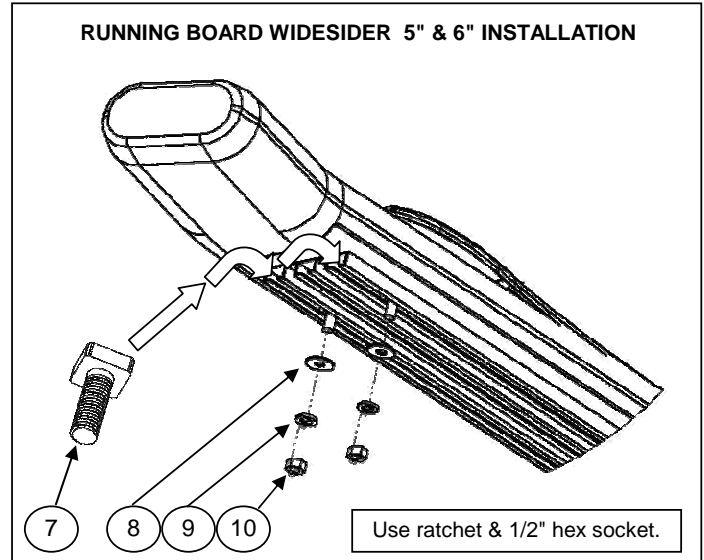


Use ratchet & 18mm - 19mm - 9/16" - 1/2" hex socket.
Remove the bolt OEM with: ratchet & 18mm hex socket.

8. If you acquired a Running board widesider 5" & 6", insert 5/16" square head bolt on rail, place on brackets and attach with: 5/16" Flat and lock washer, 5/16" hex hut. **SEE ILLUSTRATION 6.** Repeat for the opposite side. Leave loose.

Note 2: If the front and rear bracket does not agree totally with the aluminum structure, rotate so they're inside the aluminum structure and tighten.

ILLUSTRATION 6



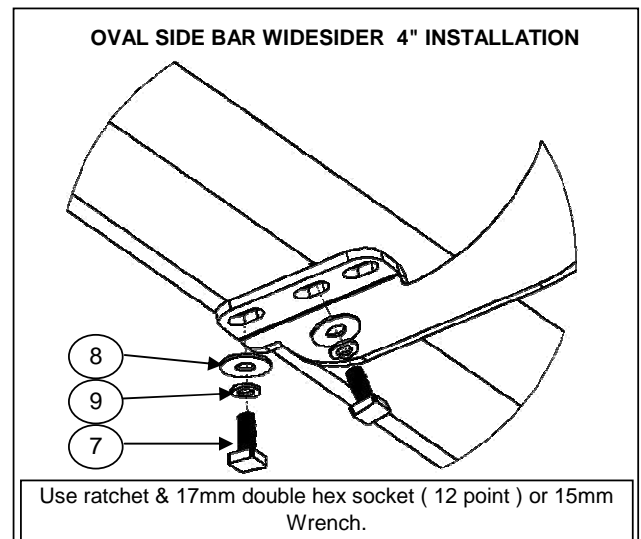
9. If you acquired a Oval side bar widesider 4", place on brackets and attach with: 5/16" square head bolt, 5/16" Flat and lock washer. **SEE ILLUSTRATION 7.** Repeat for the opposite side. Leave loose.

10. Align Running board widesider 5" & 6" or Oval side bar widesider 4" and then tighten all bolts.

11. Periodically check your product because it may need a re-tighten of bolts.

12. Fill the warranty card and place it inside your vehicle's glove box.

ILLUSTRATION 7



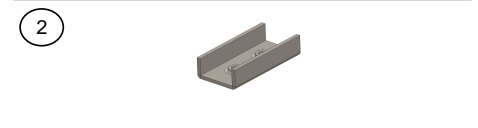
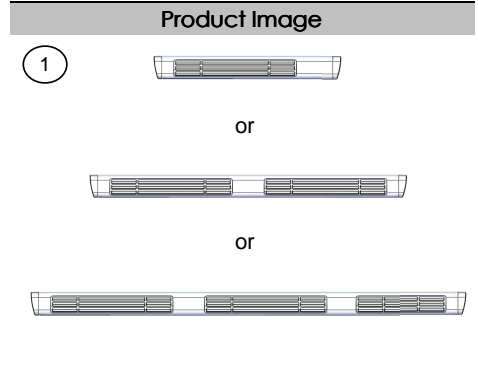
INSTALLATION INSTRUCTIONS

UNIVERSAL RUNNING BOARD

Parts List				
Item	Qty.	Code	Description	Max. Torque
1	1 Set	-	Running Board	-
2	6 Pc.	396804AA	U (Clamp) Bracket *	-

* Wheel to Wheel Running Boards have the U (Clamp) Brackets included on the Bracket Kit (Sold Separately)

Required Tools (Not included)	
Qty.	Description
1	15mm Wrench
1	17mm Socket
1	Ratchet



Instructions

1. Before beginning the installation, please read all directions carefully and verify that all necessary hardware is accounted for. If any parts are missing, stop the installation and contact your distributor immediately.
2. To maintain and care this product keep it clean and do not use abrasive cleaners or polish waxes. We recommend to use only non-abrasive automotive wax such as pure carnauba to avoid scratches and rust.
3. Once the main brackets are installed **(sold separately)**, the approximate installation time is **15 min.**
4. Place the U brackets inside the Running Board. Move them to align to the main brackets. **See illustration 1.**
5. Place the flat and lock washers with the square head bolts. This hardware kit is included on the main brackets that are **(sold separately)**. **See illustration 1.**
6. Align the Running board and tighten the bolts using a 1/2" wrench.
7. **NOTE: For some regular cabs only two U brackets are needed per side.**

ILLUSTRATION 1.

