

INSTALLATION INSTRUCTIONS

BRACKET	OVAL SIDE BAR WIDESIDER 4"	WHEEL TO WHEEL WIDESIDER 4"	RUNNING BOARD WIDESIDER 5" & 6"	APPLICATION	MODEL
684049	64046 67046	-	39087	GMC SIERRA / SILVERADO CREW CAB.	99 - 06 & 2011

Parts List:

ITEM	QTY	CODE	DESCRIPTION	TORQUE MAX.
1	1	391014AA	Front mounting bracket set	-
2	1	391014DA	Middle mounting bracket set	-
3	1	391014BA	Rear mounting bracket set	-
4	2	391014FA	Front and middle auxiliary bracket set	-
5	1	391014EA	Rear auxiliary bracket set	-
6	6	3713312	5/16" bolt plate	11 Lb-Ft
7	12	KTE-391015	Hardware kit including:	
		-	5/16" Square head bolt	11 Lb-Ft
8	18	-	5/16" Flat washer	-
9	18	-	5/16" Lock washer	-
10	18	-	5/16" hex nut	11 Lb-Ft
11	6	-	M12 x 120mm Hex head bolt	70 Lb-Ft
12	6	-	1/2" Flat washer	-
13	6	-	1/2" Lock washer	-
14	6	-	3/8 x 1" Carriage head bolt	30 Lb-Ft
15	6	-	3/8" Flat washer	-
16	6	-	3/8" Lock washer	-
17	6	-	3/8" Hex nut	30 Lb-Ft
NOTE: 64046-67046 (B-PS) INCLUDES:				
18	1	-	Oval side bar widesider 4"	

Tools required not including:

DESCRIPTION	QTY
Socket hex 18mm-19mm -9/16" - 1/2"	1
17mm Double hex socket (12 point) or 15mm Wrench	1
Ratchet	1
Extension ratchet	1

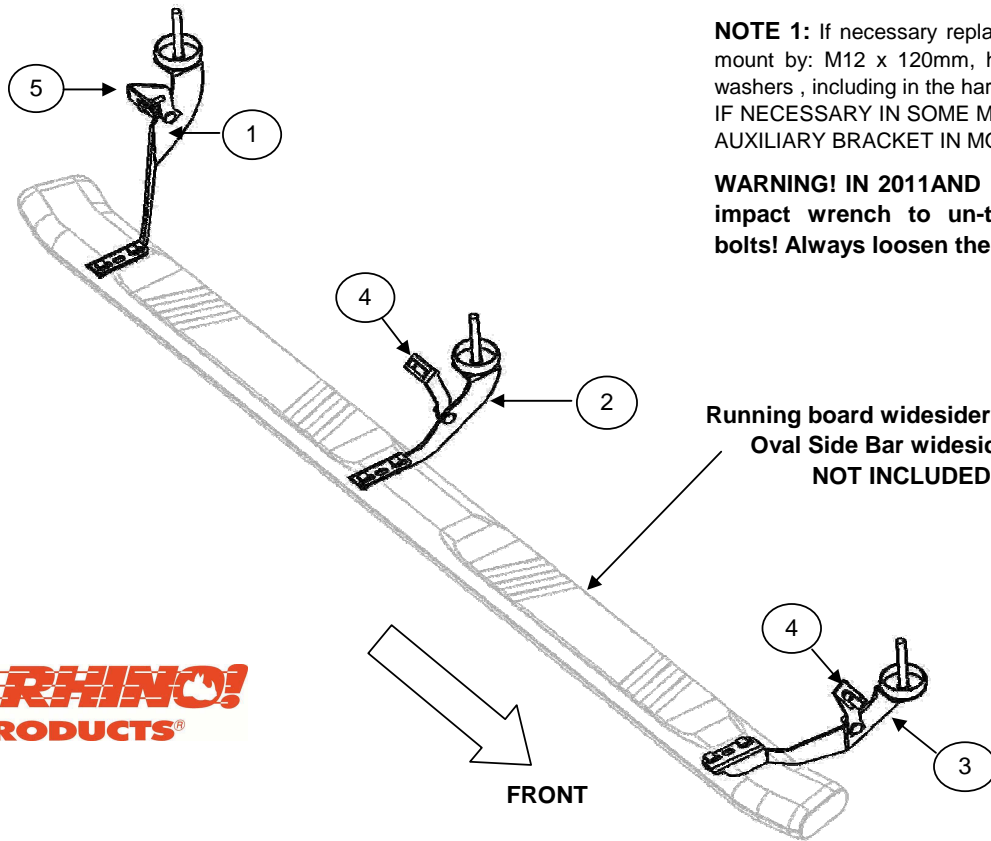
ILLUSTRATION 1

Approximated installation time: 40 min.

Instructions:

1. Before beginning the installation read all instructions thoroughly and verify that all hardware is accounted for. If there are any listed parts missing, please notify your distributor immediately.

ILLUSTRATION 2



NOTE 1: If necessary replace each bolt that holds the body mount by: M12 x 120mm, hex head bolt, 1/2" flat and lock washers, including in the hardware kit.
IF NECESSARY IN SOME MODELS DRILL TO INSTALL THE AUXILIARY BRACKET IN MODEL 99 - 02

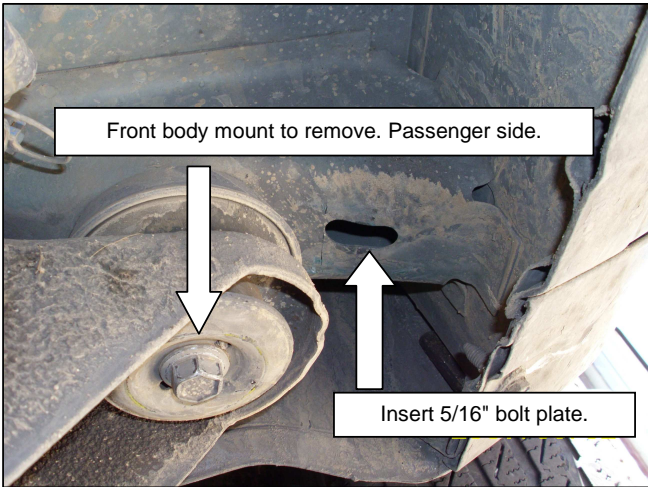
WARNING! IN 2011 AND UP MODELS. Do not use an impact wrench to un-tighten the body mounting bolts! Always loosen them by hand.



INSTALLATION INSTRUCTIONS

2. Locate and remove the body mount in the front part. **SEE PICTURE 1.**

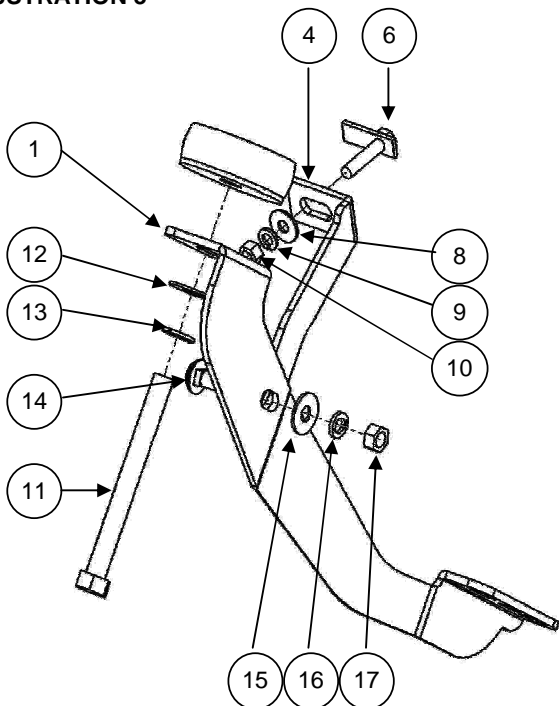
PICTURE 1



3. Install the front bracket and attach with bolts before removed. Locates the hole that is in the rocker of the vehicle and inserts 5/16" bolt plate.

Mounts the front auxiliary bracket and attach with: 5/16" flat and lock washers, 5/16" hex nut. In the other side of the bracket attach with the front bracket: 3/8 x 1" carriage head bolt, 3/8" flat and lock washers, 3/8" hex nut. **SEE PICTURE 1, ILLUSTRATION 3.** Leave loose.

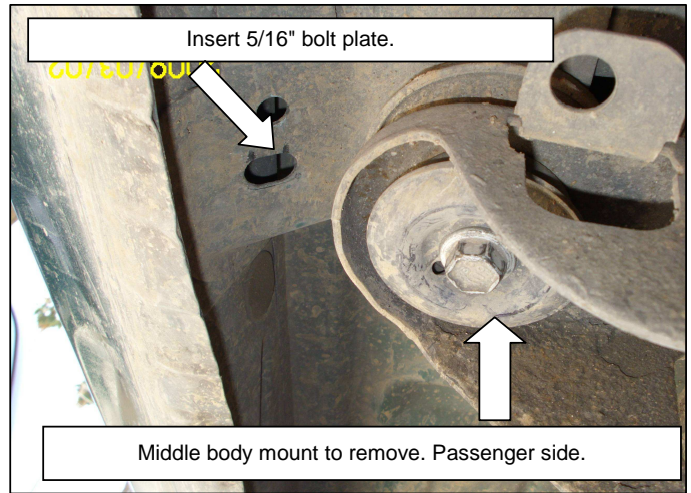
ILLUSTRATION 3



Use ratchet & 18mm - 19mm - 9/16" - 1/2" hex socket.
Remove the bolt OEM with: ratchet & 18mm hex socket.

4. Locate and remove the body mount in the middle part. **SEE PICTURE**

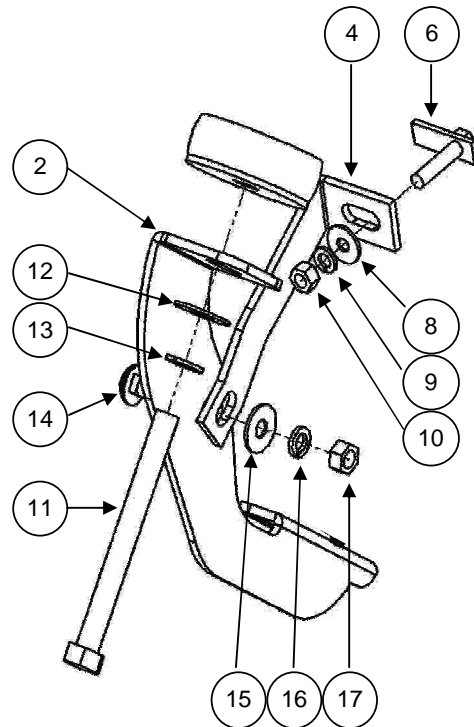
PICTURE 2



5. Install the middle bracket and attach with bolts before removed. Locates the hole that is in the rocker of the vehicle and inserts 5/16" bolt plate.

Mounts the middle auxiliary bracket and attach with: 5/16" flat and lock washers, 5/16" hex nut. In the other side of the bracket attach with the middle bracket: 3/8 x 1" carriage head bolt, 3/8" flat and lock washers, 3/8" hex nut. **SEE PICTURE 2, ILLUSTRATION 4.** Leave loose.

ILLUSTRATION 4

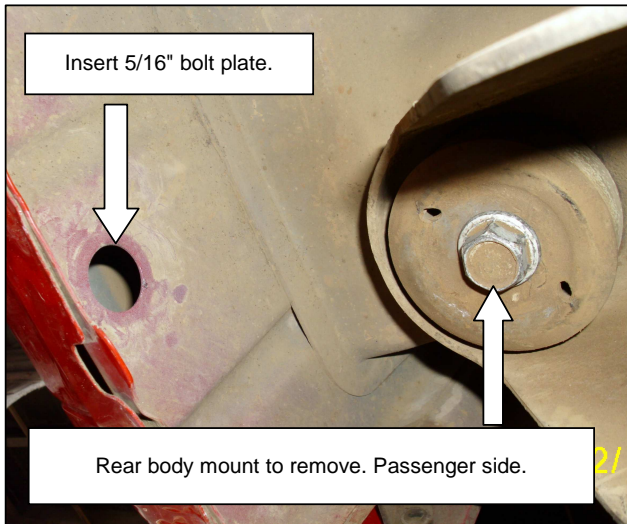


Use ratchet & 18mm - 19mm - 9/16" - 1/2" hex socket.
Remove the bolt OEM with: ratchet & 18mm hex socket.

6. Locate and remove the body mount in the rear part. **SEE PICTURE 3.**

INSTALLATION INSTRUCTIONS

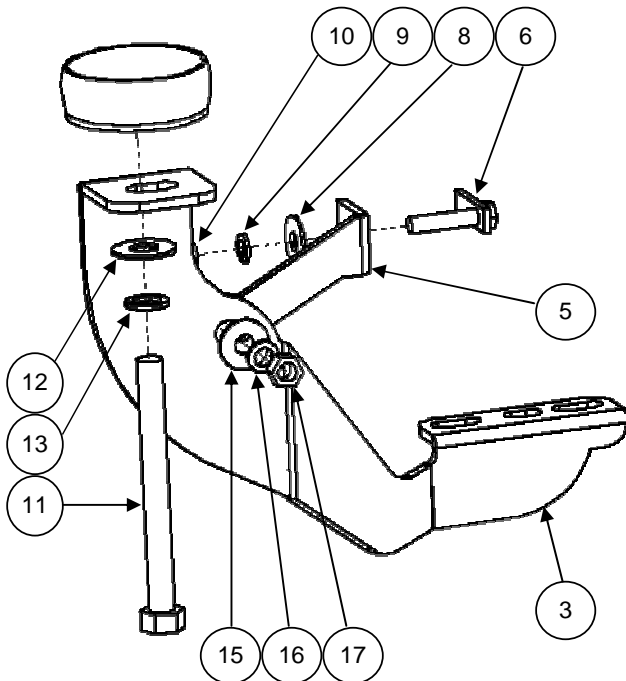
PICTURE 3



7. Install the middle bracket and attach with bolts before removed. Locates to the rubber plug that is in the rocker of the vehicle, remove and insert 5/16" bolt plate.

Mounts the rear auxiliary bracket and attach with: 5/16" flat and lock washers, 5/16" hex nut. In the other side of the bracket attach with the rear bracket: 3/8 x 1" carriage head bolt, 3/8" flat and lock washers, 3/8" hex nut. **SEE PICTURE 3, ILLUSTRATION 5.** Leave loose.

ILLUSTRATION 5

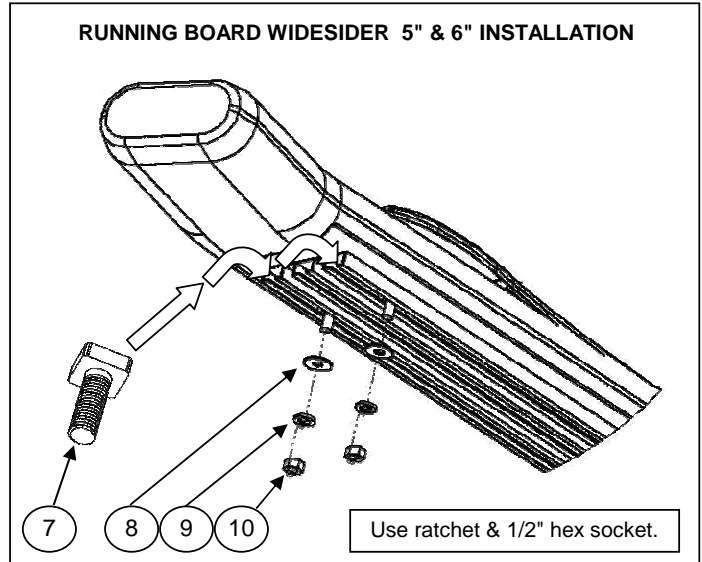


Use ratchet & 18mm - 19mm - 9/16" - 1/2" hex socket.
Remove the bolt OEM with: ratchet & 18mm hex socket.

8. If you acquired a Running board widesider 5" & 6", insert 5/16" square head bolt on rail, place on brackets and attach with: 5/16" Flat and lock washer, 5/16" hex hut. **SEE ILLUSTRATION 6.** Repeat for the opposite side. Leave loose.

Note 2: If the front and rear bracket does not agree totally with the aluminum structure, rotate so they're inside the aluminum structure and tighten.

ILLUSTRATION 6



9. If you acquired a Oval side bar widesider 4", place on brackets and attach with: 5/16" square head bolt, 5/16" Flat and lock washer. **SEE ILLUSTRATION 7.** Repeat for the opposite side. Leave loose.

10. Align Running board widesider 5" & 6" or Oval side bar widesider 4" and then tighten all bolts.

11. Periodically check your product because it may need a re-tighten of bolts.

12. Fill the warranty card and place it inside your vehicle's glove box.

ILLUSTRATION 7

