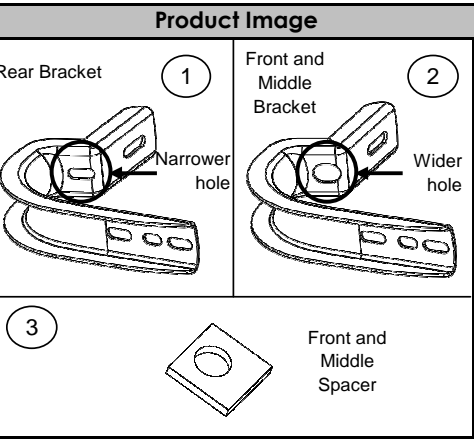


BRACKET	OVAL SIDE BAR WIDESIDER 4"	WHEEL TO WHEEL WIDESIDER 4"	RUNNING BOARD WIDESIDER 5" & 6"	VEHICLE	YEAR
6840455	64047B 67047PS	-	680087	CHEVROLET/GMC SILVERADO/SIERRA CREW CAB. 1500, 2500, 3500HD EXCEPT DIESEL 10-13	07 - 13
	64047B 67047PS	641089	680087	CHEVROLET/GMC SILVERADO/SIERRA CREW CAB. 2500, 3500HD BED 6.5' EXCEPT DIESEL 10-13	
	64047B 67047PS	641088	680087	CHEVROLET/GMC SILVERADO/SIERRA CREW CAB. 2500, 3500HD BED 5.5' EXCEPT DIESEL 10-13	
	64045B 67045PS	-	680080	CHEVROLET/GMC SILVERADO/SIERRA EXT. CAB. 1500, 2500, 3500HD EXCEPT DIESEL 10-13	
	64045B 67045PS	641035	680080	CHEVROLET/GMC SILVERADO/SIERRA EXT. CAB. 2500, 3500HD BED 6.5' EXCEPT DIESEL 10-13	

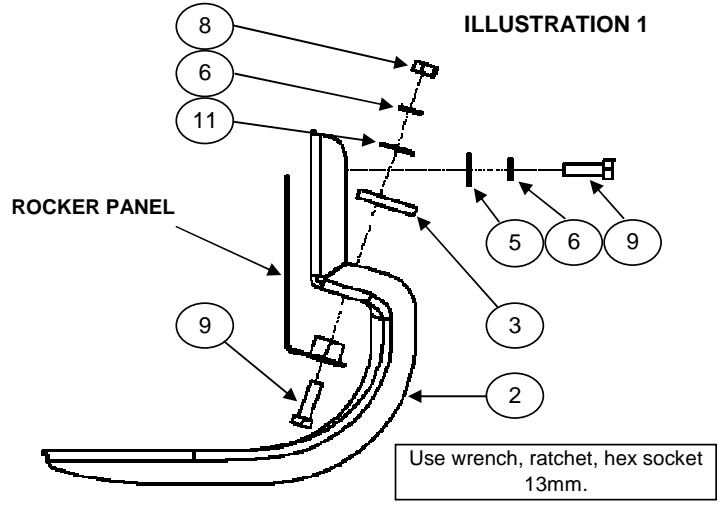
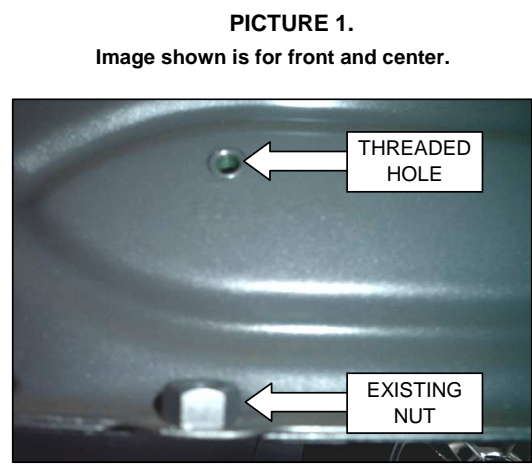
Parts List				
Item	Qty.	Code	Description	Max. Torque
1 Kit BRK-392015 Kit de brackets				
1	2 Piece	3912016AB	Rear bracket.	-
2	4 Piece	3912026AA	Front, middle bracket.	-
3	4 Piece	3912021AA	Spacer	-
1 Kit KTE-392015B Hardware bolts kit				
4	12 Piece	-	5/16" Square head bolt.	11 Lb.ft
5	12 Piece	-	5/16" Flat washer.	-
6	24 Piece	-	5/16" Lock washer.	-
7	12 Piece	-	5/16" Hex nut.	-
8	6 Piece	-	M8 P1.25 Hex nut.	-
9	12 Piece	-	M8 x 25mm P1.25 Hex. Head bolt.	20 Lb.ft
10	6 Piece	-	M8 P1.25 Clip nut.	30 Lb.ft
11	12 Piece	-	3/8" Flat washer.	-
NOTE: 64047B/67047PS/64045B/67045PS/641089B-PS/641088B-PS/641035B-PS INCLUDES:				
12	1 Set	-	Oval side bar widesider 4" (Passenger / Driver).	

Required Tools (Not included)	
Qty.	Description
1	1/2" Socket & 1/2" Wrench
1	13mm Socket & 13mm Wrench
1	17mm Double hex socket (12 point) or 15mm Wrench
1	Ratchet
1	Extension



Instructions

- 1.- Before beginning the installation, please read all directions carefully and verify that all necessary hardware is accounted for. If any parts are missing, stop the installation and contact your distributor immediately.
- 2.- To maintain and care this product keep it clean and do not use abrasive cleaners or polish waxes. We recommend to use only non-abrasive automotive wax such as pure carnauba to avoid scratches and rust.
- 3.- The approximate installation time is 45 min.
4. For **CREW CAB** models, locate in the front and center in rocker panel of the vehicle the existing nut threaded hole. **SEE PICTURE 1.** Place the bracket and attach according to the **ILLUSTRATION 1.** **NOTE: Place the spacer as shown in illustration 1.** In the rear part, locate the hole and insert a M8 clip nut. **SEE PICTURE 2.** Place the bracket and attach according to the **ILLUSTRATION 1.** Repeat for the opposite side.



5. For **EXTENDED CAB** models, locate in the rear in the rocker panel of the vehicle the hole and insert a M8 clip nut. **SEE PICTURE 2**. Place the bracket and attach according to the **ILLUSTRATION 2**. Repeat for the opposite side.
6. If you acquired a Running board widesider 5" & 6", insert 5/16" square head bolt on rail, place on brackets and attach with: 5/16" Flat and lock washer, 5/16" hex nut. **SEE ILLUSTRATION 3**. Repeat for the opposite side. Leave loose.
7. If you acquired a Oval side bar widesider 4", place on brackets and attach with: 5/16" square head bolt, 5/16" Flat and lock washer. **SEE ILLUSTRATION 4**. Repeat for the opposite side. Leave loose.
8. Align Running board widesider 5" & 6" or Oval side bar widesider 4" and then tighten all bolts.
9. Periodically check your product because it may need a re-tighten of bolts.
10. Fill the warranty card and place it inside your vehicle's glove box.

PICTURE 2

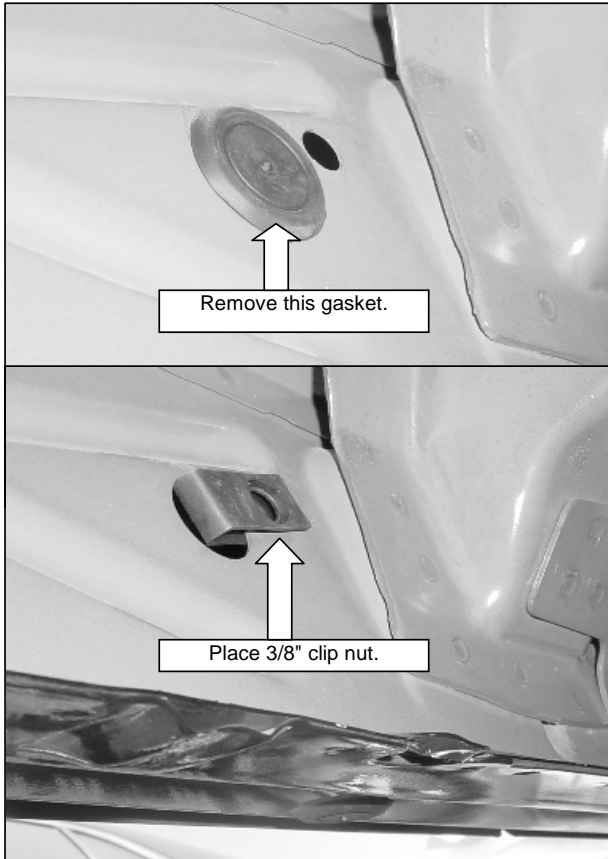


ILLUSTRATION 2

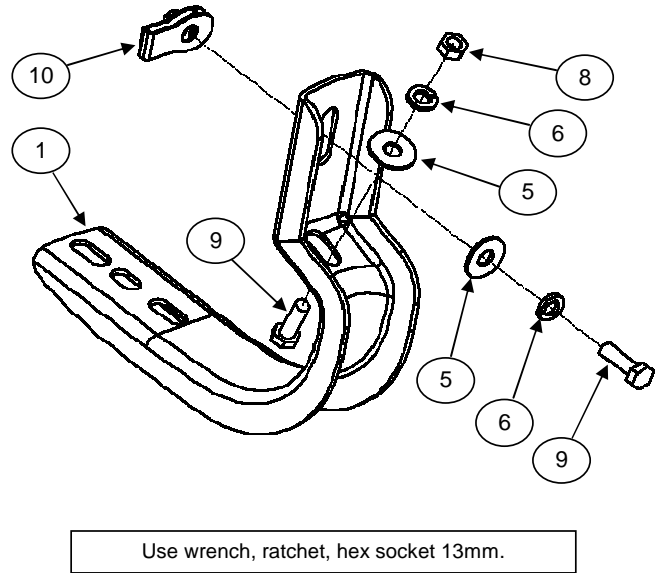


ILLUSTRATION 3

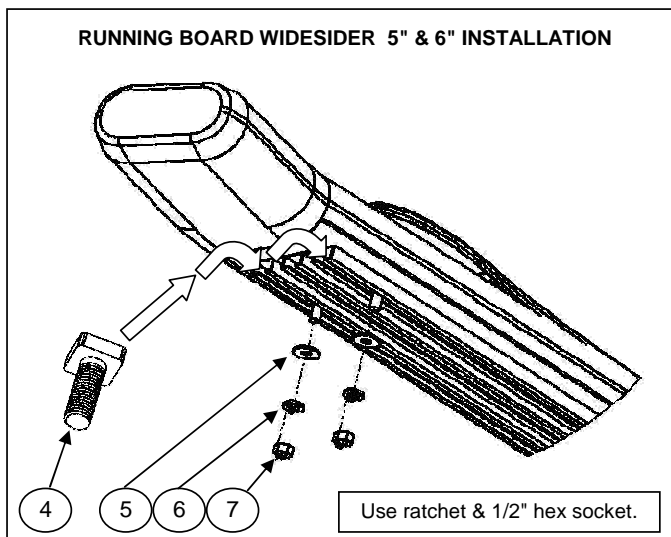


ILLUSTRATION 4

