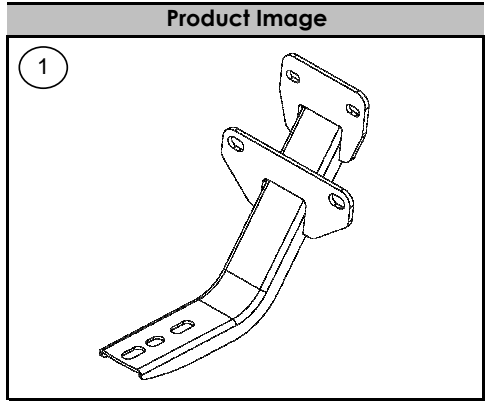


BRACKET	4" Widesider Side bars	5" Widesider Side bars	6" Widesider Side bars	VEHICLE	YEAR
6841555	640087 (Platinum) 67048 (Platinum) 64048 (Platinum)	650087 (Platinum) 680087 (XL Composite)	660087 (Platinum) 680187 (XL Composite)	FORD LOBO F-150 SUPER CREW	2015

Parts List				
Item	Qty.	Code	Description	Max. Torque
<b>1 Kit BRK-392695 Bracket kit</b>				
1	6 Piece	392690AA	Front, middle and rear bracket	-
<b>1 Kit KTE-392695 Hardware kit</b>				
2	12 Piece	-	5/16 x 1" Hex head bolt black	11 Lb.ft
3	12 Piece	-	5/16" Flat washer black	-
4	12 Piece	-	5/16" Lock washer black	-
5	18 Piece	-	M8 P1.25 Hex nut gray	20 Lb.ft
6	18 Piece	-	5/16" Flat washer gray	-
7	18 Piece	-	5/16" Lock washer gray	-
<b>NOTE: 67155B / 67155PS / 67155T INCLUDE:</b>				
8	1 Set	-	4" Tubular Widesider Side Bar ( Passenger / Driver ).	-

Required Tools (Not included)	
Qty.	Description
1	1/2" Socket & 1/2" Wrench
1	13mm Socket & 13mm Wrench
1	Ratchet
1	Extension to ratchet



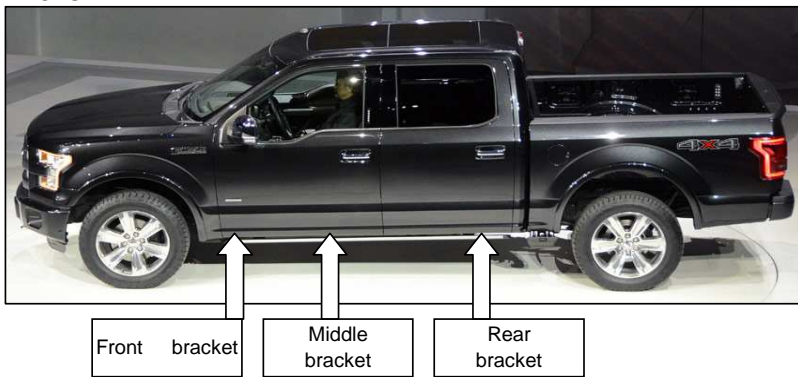
2.- For the care and maintenance of this product is recommended to keep it clean and do not use abrasive wax to protect the finish.

3.- The approximate installation time is 45 min. **NOTE: LOOK THE POSITION BEFORE INSTALLING THE BRACKETS.**

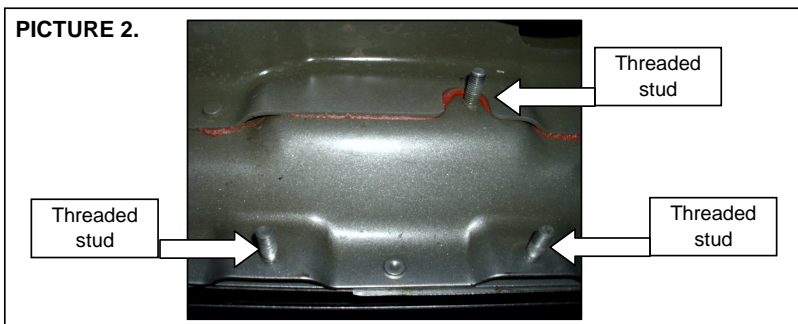
4. Locate at the front, middle and rear of the rocker panel the threaded studs as shown in **PICTURES 1 & 2.**

5. Place the bracket on the threaded studs and attach with: (1) 5/16" flat and lock washer gray, (1) M8 hex nut gray, by each threaded stud. Look **ILLUSTRATION 1.** Leave loose. Repeat for each bracket.

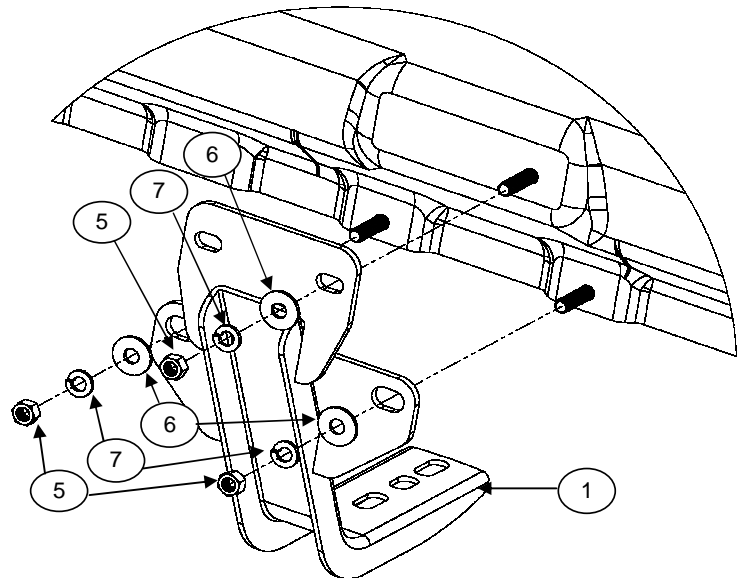
**PICTURE 1.**



**PICTURE 2.**



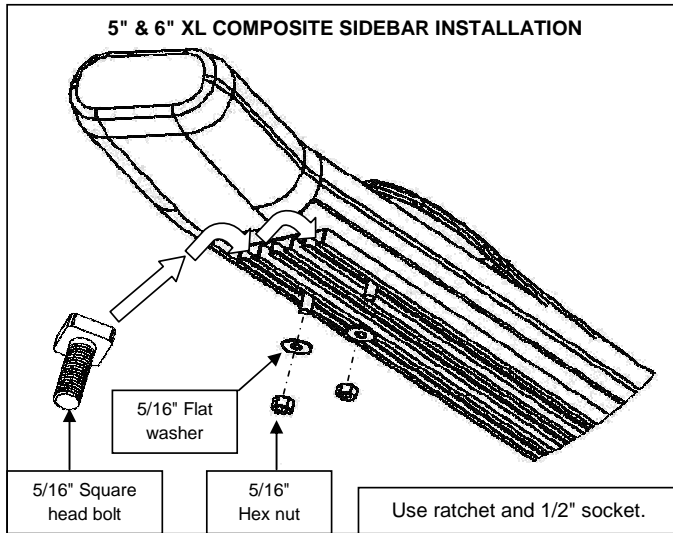
**ILLUSTRATION 1.**



Use 13mm wrench & Ratchet, extension and 13mm socket.

6. If you acquired a 5" or 6" COMPOSITE Side bar, insert 5/16" square head bolt on rail, place on brackets and attach with: 5/16" flat washer, 5/16" hex nut. **SEE ILLUSTRATION 2.** Repeat for the opposite side. Leave loose.
7. If you acquired a 4", 5" or 6" Black or Stainless Steel side bar, place on brackets and attach with: 5/16" hex head bolt, 5/16" flat and lock washer. **SEE ILLUSTRATION 3.** Repeat for the opposite side. Leave loose.
8. Align the side bar and then tighten all bolts.
9. Periodically check your product because it may need a re-tighten of bolts.
10. Fill the warranty card and place it inside your vehicle's glove box.

**ILLUSTRATION 2.**



**NOTE: This hardware is included in 5" & 6" XL COMPOSITE SIDEBAR.**

**ILLUSTRATION 3.**

