

# INSTALLATION INSTRUCTIONS

| BRACKET | OVAL SIDE BAR<br>WIDESIDER 4" | WHEEL TO WHEEL<br>WIDESIDER 4" | RUNNING BOARD<br>WIDESIDER 5" & 6" | APPLICATION                              | MODEL   |
|---------|-------------------------------|--------------------------------|------------------------------------|--|---------|
| 684099  | 64099<br>67099                | -                              | 680080                             | Dodge Ram 1500(USA) 2500(MEX) Quad Cab   | 09 - 12 |
|         | 64106<br>67106                | -                              | 680087                             | Dodge Ram 1500 (USA) 2500 (MEX) Crew Cab | 09 - 12 |
|         | 64107                         | -                              | -                                  | Dodge Ram 2500HD/3500HD Mega Cab         | 2010    |

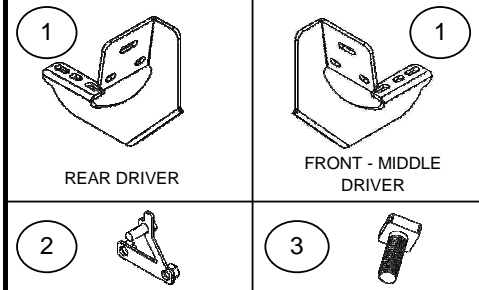
**Parts List:**

| ITEM  | QTY. | CODE     | DESCRIPTION                            | TORQUE   |
|---|------|----------|--|----------|
| 1   | 3    | 392244AB | Brackets set ( Front & Middle & Rear ) | -        |
| 2   | 6    | 372240BA | T Plate                                | 30 Lb/Ft |
| <b>KTE-392245 Hardware kit including:</b>                                     |      |          |  |          |
| 3   | 12   | -        | 5/16" Square head bolt                 | 11 Lb/t  |
| 4   | 12   | -        | 5/16" Flat washer                      | -        |
| 5   | 12   | -        | 5/16" Lock washer                      | -        |
| 6   | 12   | -        | 5/16" Hex nut                          | 11 Lb/t  |
| 7   | 12   | -        | 3/8 x 1" Hex. Head bolt                | 30 Lb/Ft |
| 8   | 18   | -        | 3/8" Flat washer                       | -        |
| 9   | 18   | -        | 3/8" Lock washer                       | -        |
| 10  | 6    | -        | 3/8" Hex nut                           | 30 Lb/Ft |
| 11  | 6    | -        | Vinyl gasket                           | -        |
| <b>NOTE: 64099-67099 (B-PS) - 64106-67106 (B-PS) - 64107 (B-PS) INCLUDES:</b> |      |          |  |          |
| 12  | 1    | -        | Oval side bar widesider 4"             | -        |

**Tools required not including:**

| DESCRIPTION  | QTY |
|--|-----|
| 1/2" & 9/16" Hex Socket                            | 1   |
| 17mm Double hex socket ( 12 point ) or 15mm Wrench | 1   |
| Ratchet  | 1   |
| Extension ratchet                                  | 1   |

**ILLUSTRATION 1**

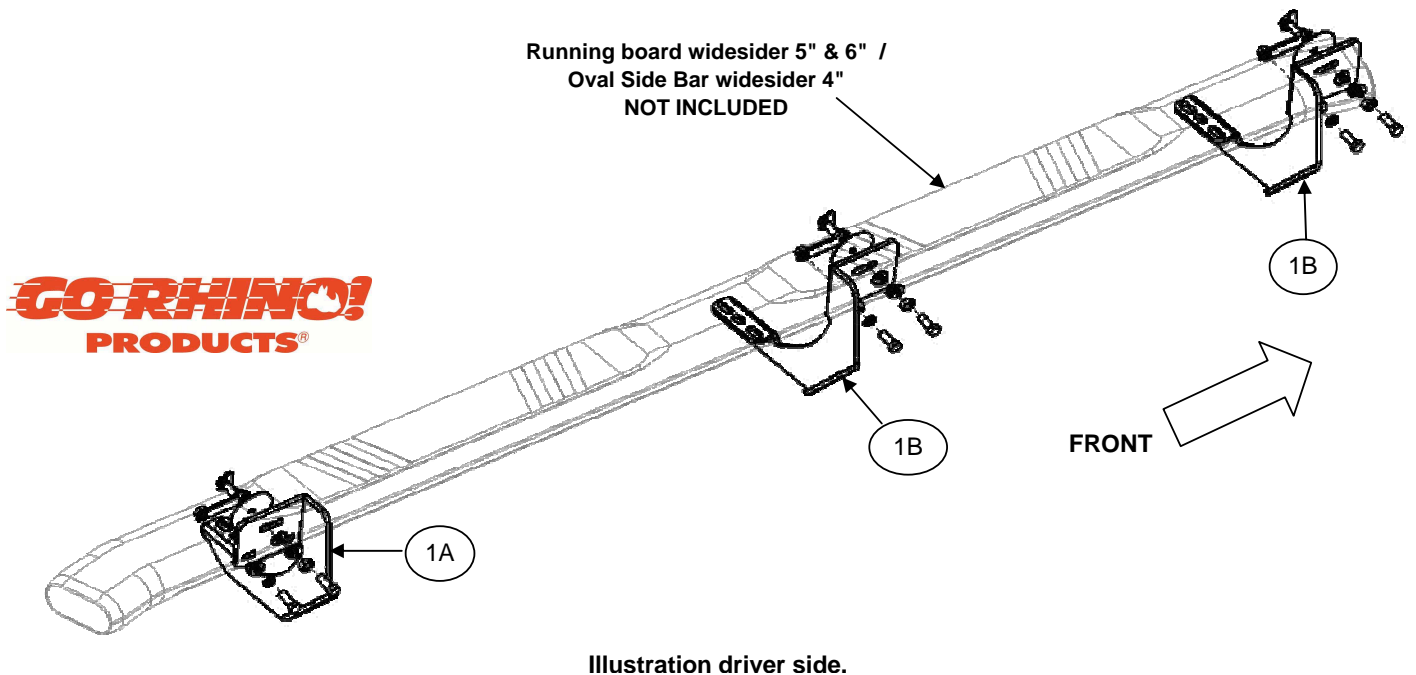


**Approximated installation time: 30 min.**

**Instructions:**

1. Before beginning the installation read all instructions thoroughly and verify that all hardware is accounted for. if there are any listed parts missing, please notify your distributor immediately.

**ILLUSTRATION 2**



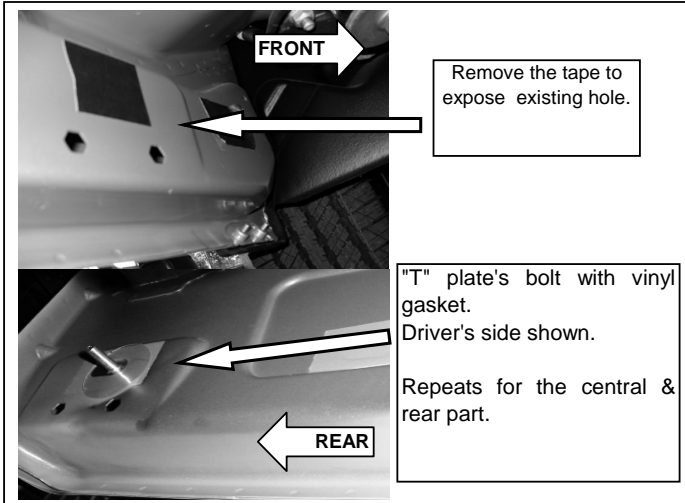
**Illustration driver side.**

## INSTALLATION INSTRUCTIONS

2. To install front, middle and rear mounting brackets locate in the rocker panel the holes covered in tape and remove the tape. Place one vinyl gasket to the bolt of the "T" plate then insert into the exposed hole. **SEE PICTURE 1.**

**NOTE 1:** It is important to place vinyl gaskets to the bolts to prevent the "T" plate from falling into the rocker panel.

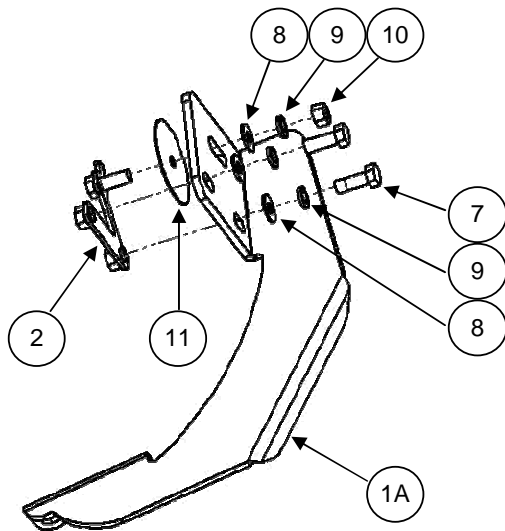
**PICTURE 1**



3. Place the front and middle bracket and attach to the bolt of the plate that it placed in the panel of the vehicle with: 3/8" flat and lock washers, 3/8" hex nut.

And to the nuts of the T plate with: 3/8 x 1" hex head bolt, 3/8" flat and lock washer. **SEE ILLUSTRATION 3.** Leave loose.

**ILLUSTRATION 3**



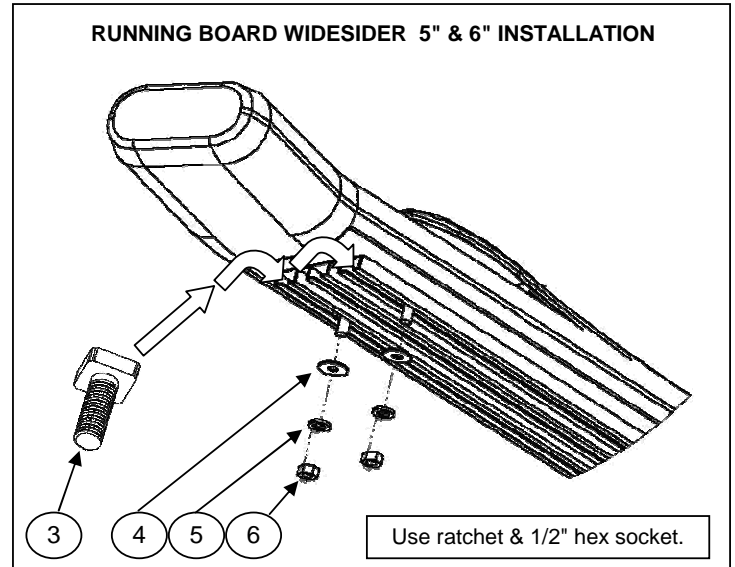
Use ratchet & 9/16" hex socket.

4. Place the rear bracket and attach of the same form that front and middle bracket. **SEE ILLUSTRATION 3.** Leave loose.

Repeat in opposite side.

5. If you acquired a Running board widesider 5" & 6", insert 5/16" square head bolt on rail, place on brackets and attach with: 5/16" Flat and lock washer, 5/16" hex nut. **SEE ILLUSTRATION 4.** Repeat for the opposite side. Leave loose.

**ILLUSTRATION 4**



6. If you acquired a Oval side bar widesider 4", place on brackets and attach with: 5/16" square head bolt, 5/16" Flat and lock washer. **SEE ILLUSTRATION 5.** Repeat for the opposite side. Leave loose.

7. Align Running board widesider 5" & 6" or Oval side bar widesider 4" and then tighten all bolts.

8. Periodically check your product because it may need a re-tighten of bolts.

9. Fill the warranty card and place it inside your vehicle's glove box.

**ILLUSTRATION 5**

