

# INSTALLATION INSTRUCTIONS

BRACKET	OVAL SIDE BAR <u>WIDESIDER 4"</u>	WHEEL TO WHEEL WIDESIDER 4"	RUNNING BOARD WIDESIDER 5" & 6"	APPLICATION	MODEL
390765	394076	-	39080	GMC SIERRA / SILVERADO EXT. CAB.	99 - 06 & 2011
	64044	-	680080	GMC SIERRA / SILVERADO EXT. CAB.	99 - 06 & 2011

**Parts List:**

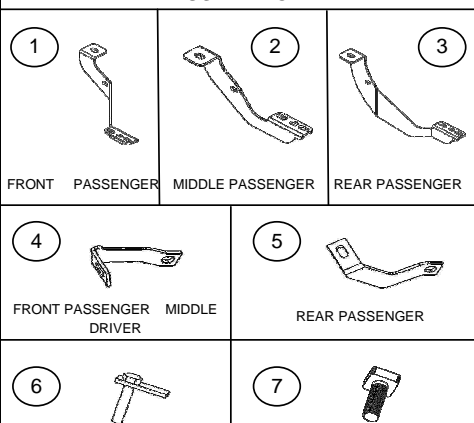
ITEM	QTY	CODE	DESCRIPTION	TORQUE MAX.
1	1	391014AA	Front mounting bracket set	-
2	1	390764CA	Middle mounting bracket set	-
3	1	390764AA	Rear mounting bracket set	-
4	2	391014FA	Front and middle auxiliary bracket set	-
5	1	390764BA	Rear auxiliary bracket set	-
6	6	3713312	5/16" bolt plate	11 Lb-Ft
7	12	<b>KTE-391015</b>	<b>Hardware kit including:</b>	
8	18	-	5/16" Square head bolt	11 Lb-Ft
9	18	-	5/16" Flat washer	-
10	18	-	5/16" Lock washer	-
11	18	-	5/16" hex nut	11 Lb-Ft
12	6	-	M12 x 120mm Hex head bolt	70 Lb-Ft
13	6	-	1/2" Flat washer	-
14	6	-	1/2" Lock washer	-
15	6	-	3/8 x 1" Carriage head bolt	30 Lb-Ft
16	6	-	3/8" Flat washer	-
17	6	-	3/8" Lock washer	-
18	6	-	3/8" Hex nut	30 Lb-Ft
18	1	-	Oval 4" Widesider bar set	

**NOTE: 394076(9-8-6-0) / 64044(B-C-PS-SB) INCLUDES:**

**Tools required not including:**

DESCRIPTION	QTY
Socket hex 18mm-19mm -9/16" - 1/2"	1
17mm Double hex socket ( 12 point ) or 15mm Wrench	1
Ratchet	1
Extension ratchet	1

**ILLUSTRATION 1.**



**Approximated installation time: 40 min.**

**Instructions:**

1. Before beginning the installation read all instructions thoroughly and verify that all hardware is accounted for. If there are any listed parts missing, please notify your distributor immediately.

**ILLUSTRATION 2.**

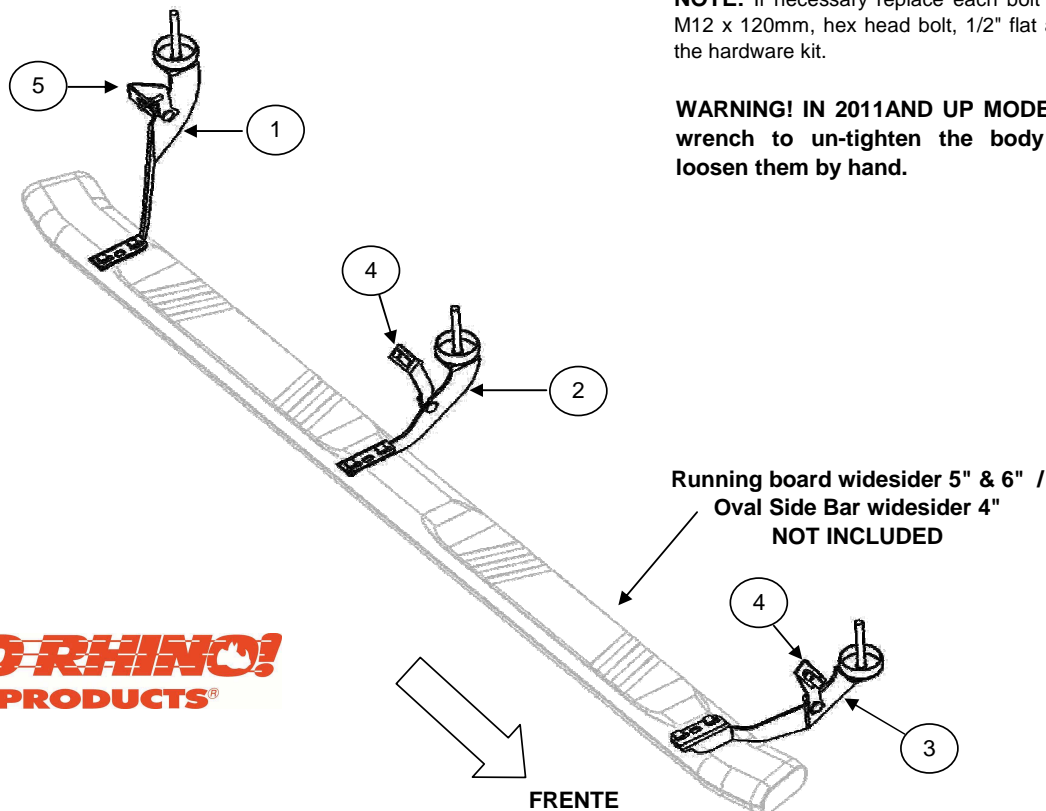


Illustration passenger side.



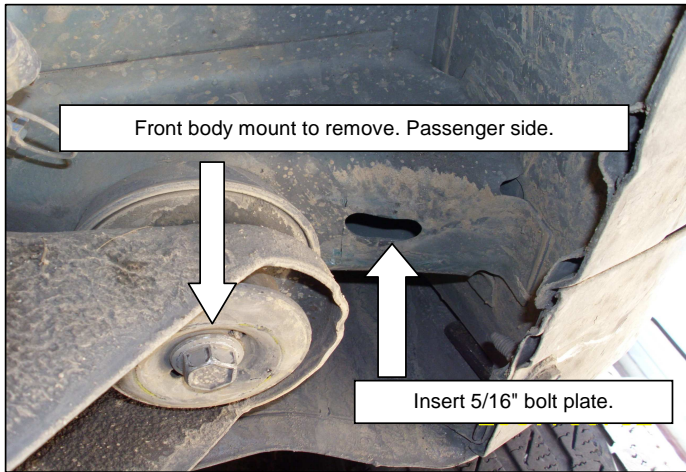
**NOTE:** If necessary replace each bolt that holds the body mount by: M12 x 120mm, hex head bolt, 1/2" flat and lock washers, including in the hardware kit.

**WARNING! IN 2011 AND UP MODELS. Do not use an impact wrench to un-tighten the body mounting bolts! Always loosen them by hand.**

## INSTALLATION INSTRUCTIONS

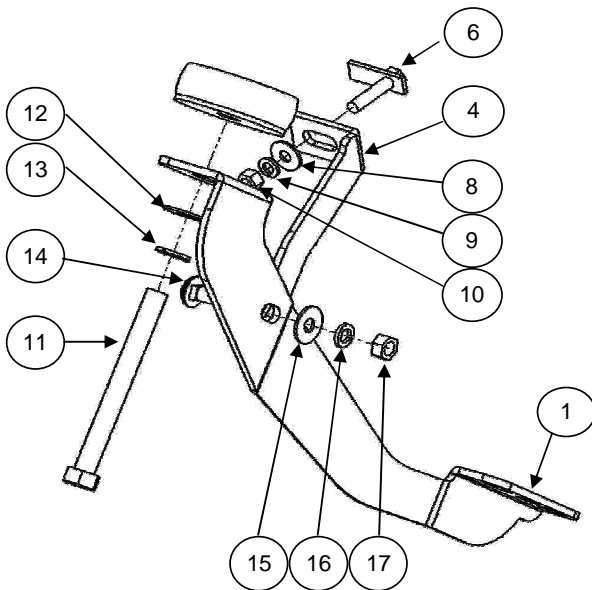
2. Locate and remove the body mount in the front part. **SEE PICTURE 1.**

**PICTURE 1.**



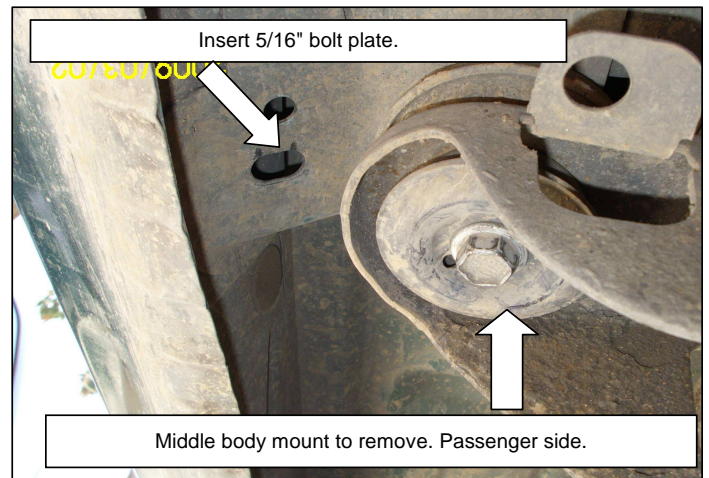
3. Install the front bracket and attach with bolts before removed. Locates the hole that is in the rocker panel of the vehicle and inserts 5/16" bolt plate. Mounts the front auxiliary bracket and attach with: 5/16" flat and lock washers, 5/16" hex nut. In the other side of the bracket attach with the front bracket: 3/8 x 1" carriage head bolt, 3/8" flat and lock washers, 3/8" hex nut. **SEE PICTURE 1, ILLUSTRATION 3.** Leave loose.

**ILLUSTRATION 3.**



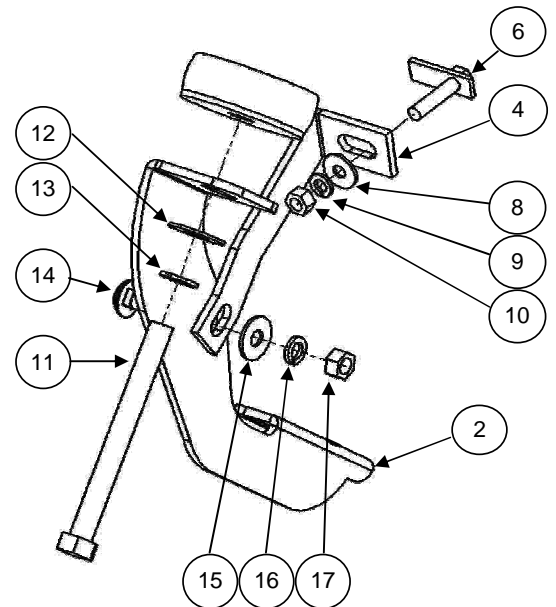
Use ratchet & 18mm - 19mm - 9/16" - 1/2" hex socket.  
Remove the bolt OEM with: ratchet & 18mm hex socket.

**PICTURE 2.**



5. Install the middle bracket and attach with bolts before removed. Locates the hole that is in the rocker panel of the vehicle and inserts 5/16" bolt plate. Mounts the middle auxiliary bracket and attach with: 5/16" flat and lock washers, 5/16" hex nut. In the other side of the bracket attach with the middle bracket: 3/8 x 1" carriage head bolt, 3/8" flat and lock washers, 3/8" hex nut. **SEE PICTURE 2, ILLUSTRATION 4.** Leave loose.

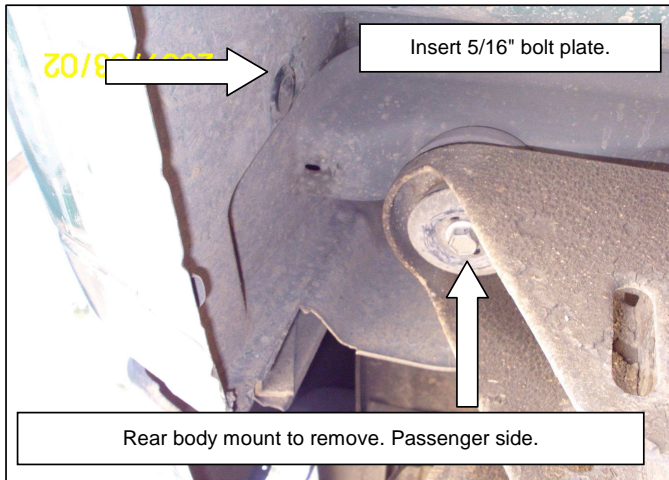
**ILLUSTRATION 4.**



Use ratchet & 18mm - 19mm - 9/16" - 1/2" hex socket.  
Remove the bolt OEM with: ratchet & 18mm hex socket.

## INSTALLATION INSTRUCTIONS

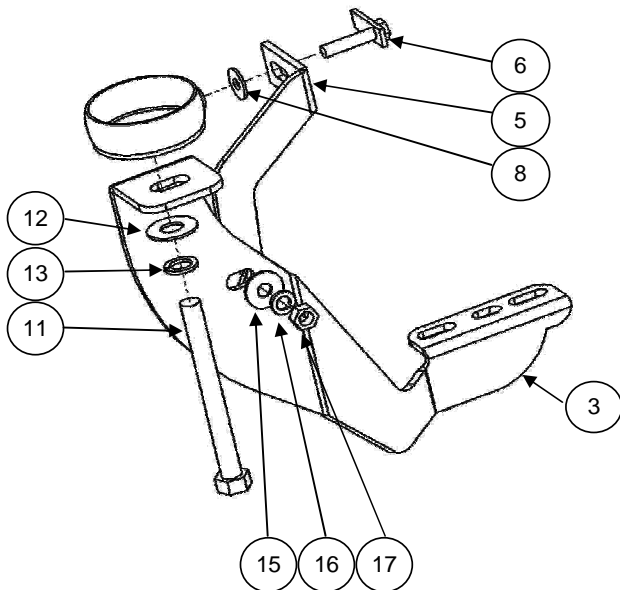
**PICTURE 3.**



7. Install the middle bracket and attach with bolts before removed. Locates to the rubber plug that is in the rocker panel of the vehicle, remove and insert 5/16" bolt plate.

Mounts the rear auxiliary bracket and attach with: 5/16" flat and lock washers, 5/16" hex nut. In the other side of the bracket attach with the rear bracket: 3/8 x 1" carriage head bolt, 3/8" flat and lock washers, 3/8" hex nut. **SEE PICTURE 3, ILLUSTRATION 5.** Leave loose.

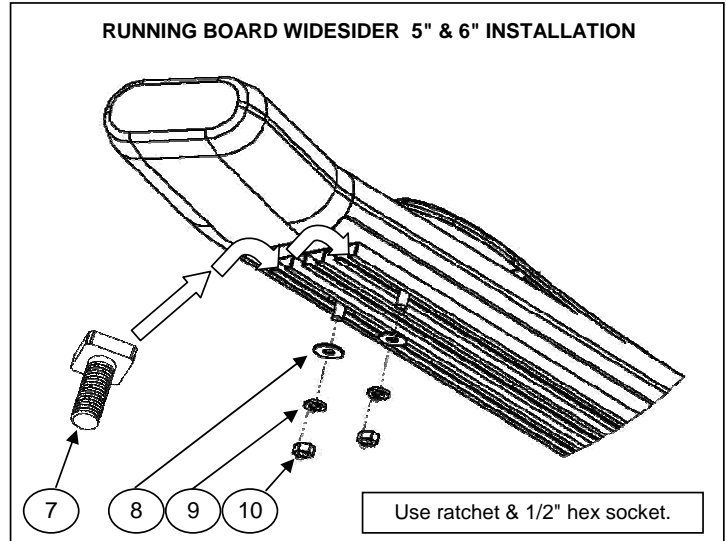
**ILLUSTRATION 5.**



Use ratchet & 18mm - 19mm - 9/16" - 1/2" hex socket.  
Remove the bolt OEM with: ratchet & 18mm hex socket.

8. If you acquired a Running board widesider 5" & 6", insert 5/16" square head bolt on rail, place on brackets and attach with: 5/16" Flat and lock washer, 5/16" hex nut. **SEE ILLUSTRATION 6.** Repeat for the opposite side. Leave loose.  
**Note 2: If the front and rear bracket does not agree totally with the aluminum structure, rotate so they're inside the aluminum structure and tighten.**

**ILLUSTRATION 6**



9. If you acquired a Oval side bar widesider 4", place on brackets and attach with: 5/16" square head bolt, 5/16" Flat and lock washer. **SEE ILLUSTRATION 7.** Repeat for the opposite side. Leave loose.

10. Align Running board widesider 5" & 6" or Oval side bar widesider 4" and then tighten all bolts.

11. Periodically check your product because it may need a re-tighten of bolts.

12. Fill the warranty card and place it inside your vehicle's glove box.

**ILLUSTRATION 7**

