

Parts List					Required Tools (Not included)	
Item	Qty	Part No.	Description	Torque Máx.	Qty	Description
1	2 Pc	3910210BA	Front Bracket (Driver & Passenger)		1	1/2" Socket / Wrench
2	2 Pc	3910210AA	Rear Bracket (Driver & Passenger)		1	9/16" Socket / Wrench
3	2 Pc	12104138-T1	Bolt plate		1	Ratchet
4	2 Pc	341438-BT	Bolt plate		1	drill and 5/16" drill bit
5	4 Pc	11371438-T	Auxiliary Bracket (Driver & Passenger)		<div style="text-align: center;">Brackets Illustration</div> <div style="text-align: center;">DRIVER & PASSENGER</div>	
6		KTE-39021	Hardware kit			
7	8 pc		5/16x15/16" Square head bolt			
8	24 pc		5/16" Flat washer			
9	16 pc		5/16" Lock washer			
10	16 pc		5/16" Nut			
11	4 pc		3/8" Nut			
12	4 pc		3/8" Flat washer			
13	4 pc		3/8" Lock washer			
14	8 pc		5/16 x 1" Hex head bolt			

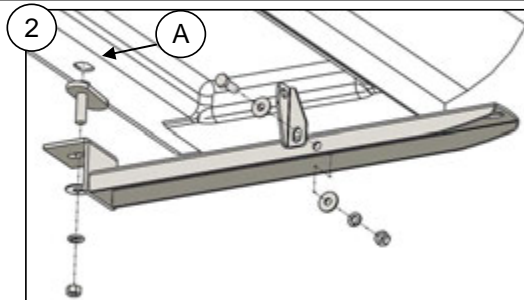
1. Before beginning the installation, please read all directions carefully and verify that all necessary hardware is accounted for. If any parts are missing, stop the installation and contact your distributor immediately.
2. To maintain and care this product keep it clean and do not use abrasive cleaners or polish waxes. We recommend to use only non-abrasive automotive wax such as pure carnauba to avoid scratches and rust.
3. The approximate installation time is 30 min.
4. **NOTE:** This installation requires to drill the pinch mold to attach auxiliary brackets.
5. Underneath the body there are existing holes see image 1 to identify the location of the brackets.



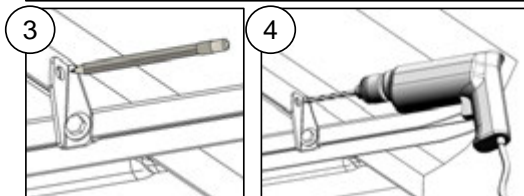
INSTALLATION INSTRUCTIONS



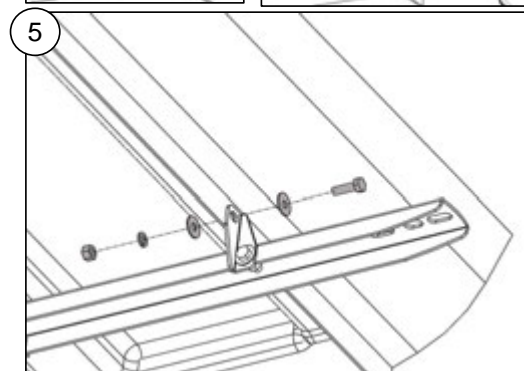
5. Locate the hole (A). Introduce (1) large bolt plate as shown in image 2. Place the front bracket and secure to the bolt plate using 3/8" flat and lock washers and hex nut. Secure the auxiliary front bracket to the front bracket using 5/16" hardware as shown. Do not tighten.



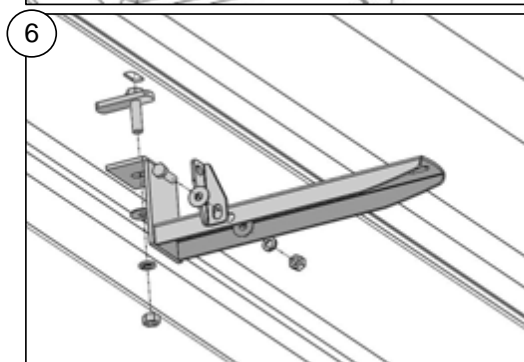
6. Scribe a point where the auxiliary front bracket hole match with the pinch mold. Image 3. Drill 5/16" hole through the pinch mold . Image 4.



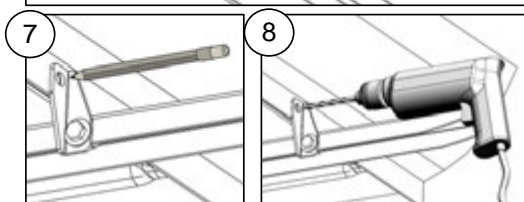
7. Secure auxiliary front bracket to the pinch mold using (1) 5/16 x 1" hex bolt, flat and lock washers and hex nut.



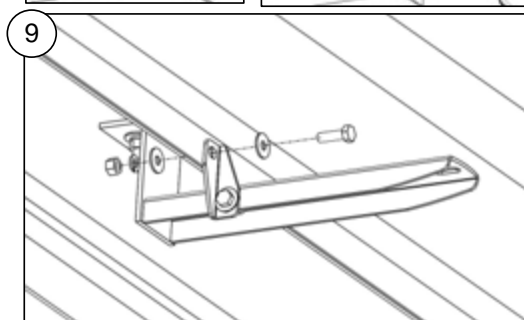
8. Locate the existing hole (B) at rear part of vehicle. Introduce the narrow bolt plate as shown in Image 6. Place the rear bracket and and secure to the bolt plate using 3/8" flat and lock washers and hex nut. Secure the auxiliary rear bracket to the rear bracket using 5/16" hardware. Do not tighten yet.



9. Scribe a point where the auxiliary front bracket hole match with the pinch mold. Image 7. Drill 5/16" hole through the pinch mold . Image 8.



10. Secure auxiliary front bracket to the pinch mold using (1) 5/16 x 1" hex bolt, flat and lock washers and hex nut.



11. Place the widesider on top of the brackets. Position (2) of the U-brackets (included with the widesider) inside the widesider body, and align the U-brackets with the mounting brackets using the two holes nearest to the tip. Attach the widesider to the U-brackets to each mounting brackets using (2) 5/16" square head bolts, (2) 5/16" flat washers and (2) 5/16" lock washers. Align the widesider with the vehicle and tighten the mounting brackets and square bolts.