

INSTALLATION INSTRUCTIONS

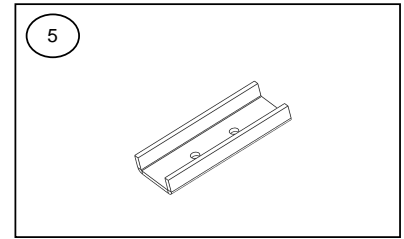
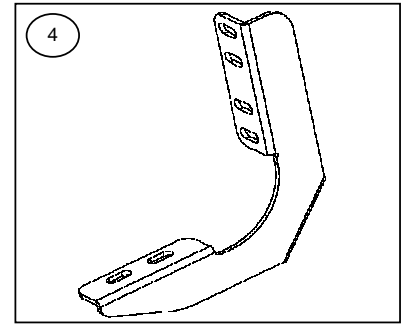
RB10 **RUNNING BOARD PART # 63418087T**

1999-2015 FORD F-250, F-350, F-450 SUPER DUTY SUPER CREW

Do not attempt to install this product on any vehicle other than the one listed above!

PARTS LIST

ITEM	QTY.	PART #	DESCRIPTION	TORQUE
1	1	630087T	RB10 Running board passenger	-
2	1	630087T	RB10 Running board driver	-
3	1	BRK-6341765	Hardware brackets kit	-
4	6	6341764AA	Bracket	-
5	6	6300874AA	U bracket	-
6	1	KTE-634176	Hardware kit	-
7	12	-	5/16 x 1" Hex head bolt black plated	11 Lb.ft
8	12	-	5/16" Flat washer black plated	-
9	12	-	5/16" Lock washer black plated	-
10	6	-	3/8" Clip nut black plated	30 Lb.ft
11	12	-	3/8 X 1 1/4" Hex head bolt black plated	30 Lb.ft
12	18	-	3/8" Flat washer black plated	-
13	12	-	3/8" Lock washer black plated	-
14	6	-	3/8" Hex nut black plated	30 Lb.ft



ASSEMBLY & INSTALLATION TOOLS REQUIRED:

1/2" Socket & 1/2" Wrench
 9/16" Socket & 9/16" Wrench
 Ratchet
 Extension.

Approximate installation time: 40 min.



INSTALLATION

Step-1 Located holes inside the body in vehicle, front, middle, rear, place a clip nut in upper part. **SEE ILLUSTRATION 1 & 2.**

Step-2 Mount bracket and attach with: 3/8 x 1 1/4" hex head bolt, 3/8" flat and lock washers, in lower part attach with: 3/8 x 1 1/4" hex head bolt, 3/8 flat washer, 3/8" lock washer, 3/8" hex nut. **SEE ILLUSTRATION 3.** By each bracket. Leave loose.

PICTURE 1

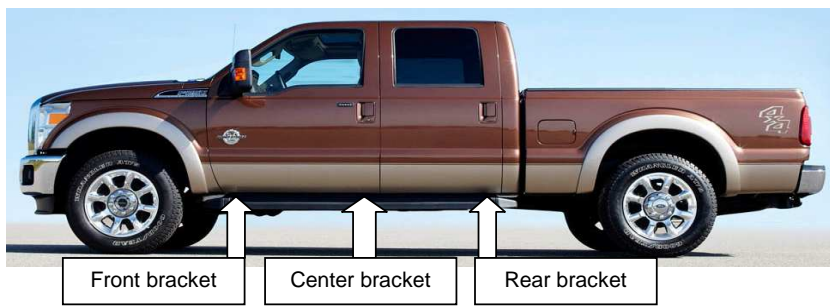
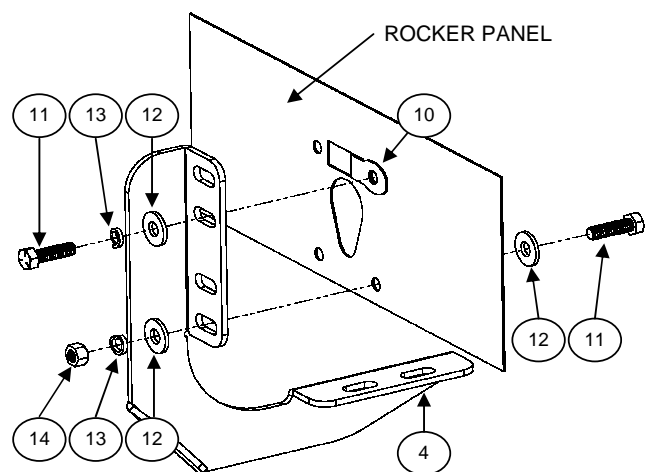


ILLUSTRATION 3

To install the brackets in rocker panel.



Use ratchet & 9/16" hex socket or 9/16" wrench.

ILLUSTRATION 1

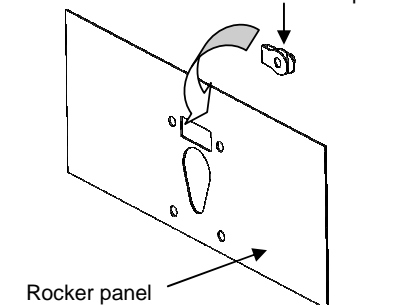
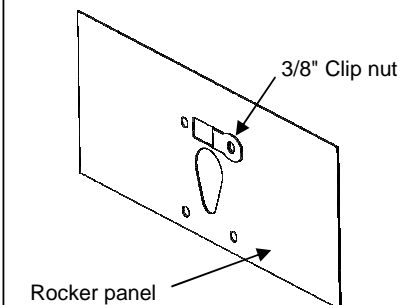
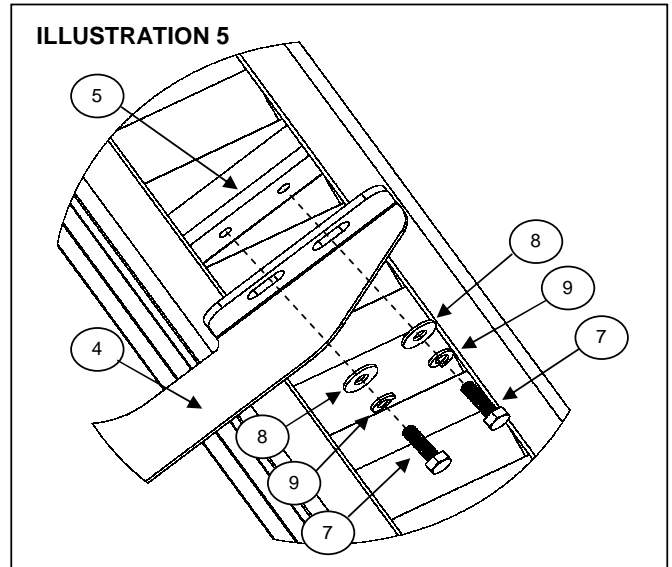
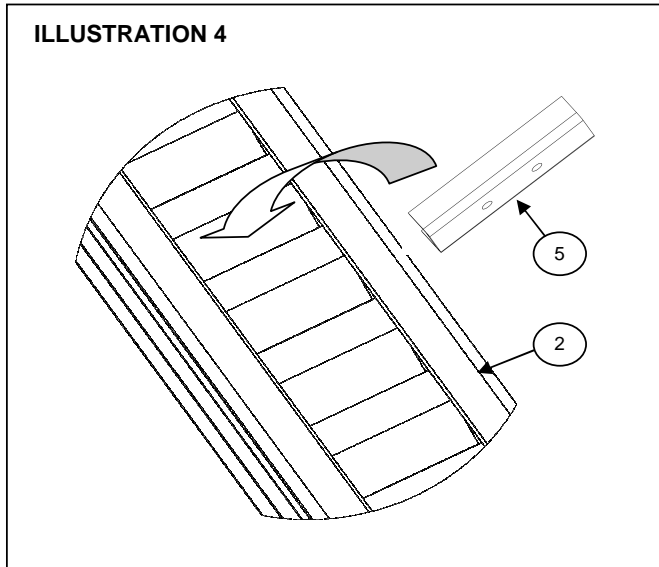


ILLUSTRATION 2



Step-3 Place the U bracket and attach with: 5/16" hex head bolt, 5/16" Flat and lock washer (black plated), by each bracket. **SEE ILLUSTRATION 4 & 5.** Repeat for the opposite side. Leave loose.



Use ratchet & 1/2" hex socket or 1/2" wrench.

Step-4 Align the side bar and then tighten all bolts.

Step-5 Periodically check your product because it may need a re-tighten of bolts.

Step-6 Fill the warranty card and place it inside your vehicle's glove box.