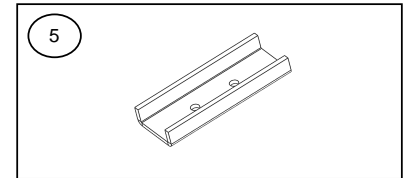
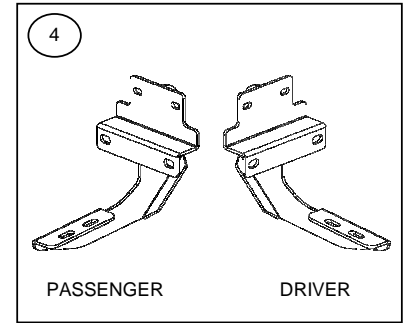


INSTALLATION INSTRUCTIONS
RB10 RUNNING BOARD PART # 63415587T
2015 FORD F-150 SUPER CREW

Do not attempt to install this product on any vehicle other than the one listed above!

PARTS LIST

ITEM	QTY.	PART #	DESCRIPTION	TORQUE
1	1 Piece	630087T	RB10 Running board passenger	-
2	1 Piece	630087T	RB10 Running board driver	-
3	1 Set	BRK-6341555	Hardware brackets kit	-
4	3 Set	6341550AA	Bracket (Driver & Passenger)	-
5	6 Piece	6300874AA	U bracket	-
6	1 Set	KTE-392695	Hardware kit	-
7	12 Piece	-	5/16 x 1" Hex head bolt (black)	11 Lb.ft
8	12 Piece	-	5/16" Flat washer (black)	-
9	12 Piece	-	5/16" Lock washer (black)	-
10	18 Piece	-	M8 P1.25 Hex nut (gray)	20 Lb.ft
11	18 Piece	-	5/16" Flat washer (gray)	-
12	18 Piece	-	5/16" Lock washer (gray)	-



ASSEMBLY & INSTALLATION TOOLS REQUIRED:

1/2" Socket & 1/2" Wrench
 13mm Socket & 13mm Wrench
 Ratchet
 Extension.

Approximate installation time: 40 min.



It is the customer's responsibility to protect the finish with a regular application of a nonabrasive polish compatible with the products finish. **NOTE: LOOK THE POSITION BEFORE INSTALLING THE BRACKETS.**

INSTALLATION

Step-1 Locate at the front, middle and rear of the rocker panel the threaded studs as shown in **PICTURES 1 & 2.**

Step-2 Place the bracket on the threaded studs and attach with: (1) 5/16" flat and lock washer (gray), (1) M8 hex nut (gray), by each threaded stud. Look **ILLUSTRATION 1.** Leave loose. Repeat for each bracket.

PICTURE 1.

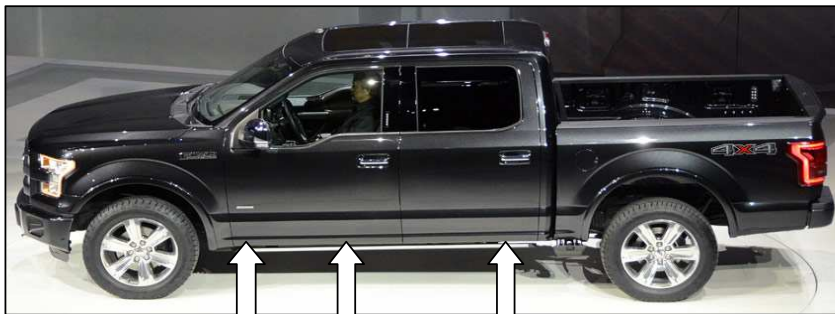
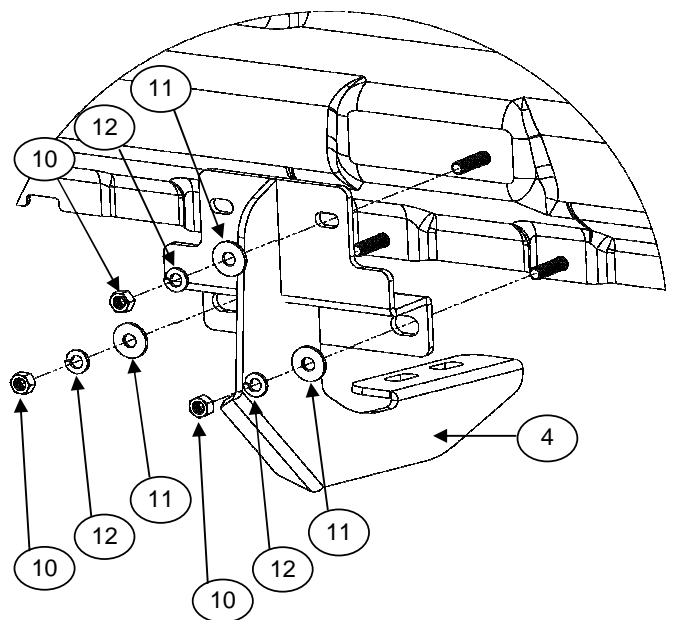
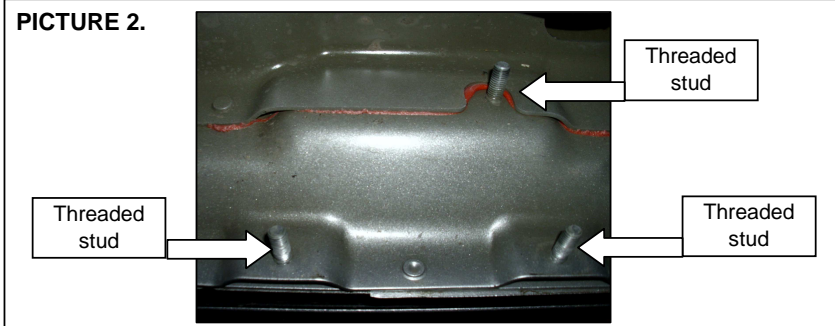


ILLUSTRATION 1.

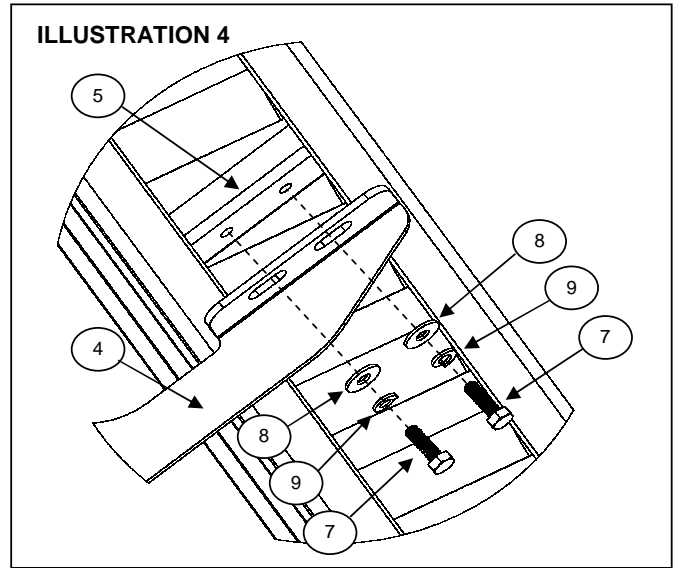
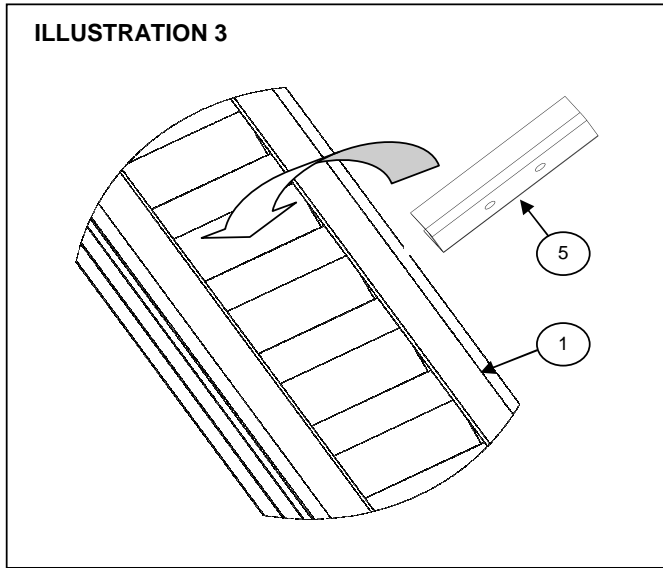


PICTURE 2.



Use 13mm wrench & Ratchet, extension and 13mm socket.

Step-3 Place the U bracket and attach with: 5/16" hex head bolt (black), 5/16" Flat and lock washer (black), by each bracket. **SEE ILLUSTRATION 3 & 4.** Repeat for the opposite side. Leave loose.



Use ratchet & 1/2" hex socket.

Step-4 Align the side bar and then tighten all bolts.

Step-5 Periodically check your product because it may need a re-tighten of bolts.

Step-6 Fill the warranty card and place it inside your vehicle's glove box.