

6341000T

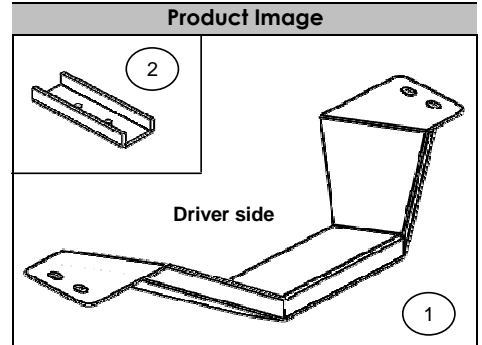
INSTALLATION INSTRUCTIONS

RB10 BOLT-ON [DROP STEP](#)

Universal

Parts List				
Item	Qty.	Code	Description	Max. Torque
1	1 Set	6341000AA	Bolt-on Drop Step (Driver & Passenger)	-
1 Kit BRK-6341005 Bracket Kit				
2	4 Piece	-	U-Bracket	-
1 Kit KTE-634100 Hardware Kit				
3	8 Piece	-	5/16" x 1" Hex Head Bolt	19 Ft. Lbs
4	8 Piece	-	5/16" Lock Washer	-
5	8 Piece	-	5/16" Flat Washer	-

Required Tools (Not included)	
Qty.	Description
1	1/2" Socket
1	Extension
1	Ratchet



Instructions

Before beginning the installation, please read the instructions carefully and verify that all necessary hardware is accounted for. If any parts are missing, stop the installation and contact your distributor immediately.

Step-1 Position the U-brackets inside the opening in the bottom of the RB10 Running Board, (**illustration 2**).

Step-2 Align the holes in the drop Step with the threads in the U-brackets and secure the Drop Step to the RB10 Running Board using the U-brackets, 5/16" x 1" hex bolts, 5/16" lock washers and 5/16" flat washers,(**illustration 2**).

Step-3 Align the Drop Step with the vehicle then tighten the bolts.

Notes:

Remember to check and retighten the bolts periodically.

To maintain and care for this product, keep it clean and do not use abrasive cleaners or polish waxes. We recommend using simple green all purpose cleaner.

Fill out the warranty card and place it inside your vehicle's glove box.



ILLUSTRATION 1.

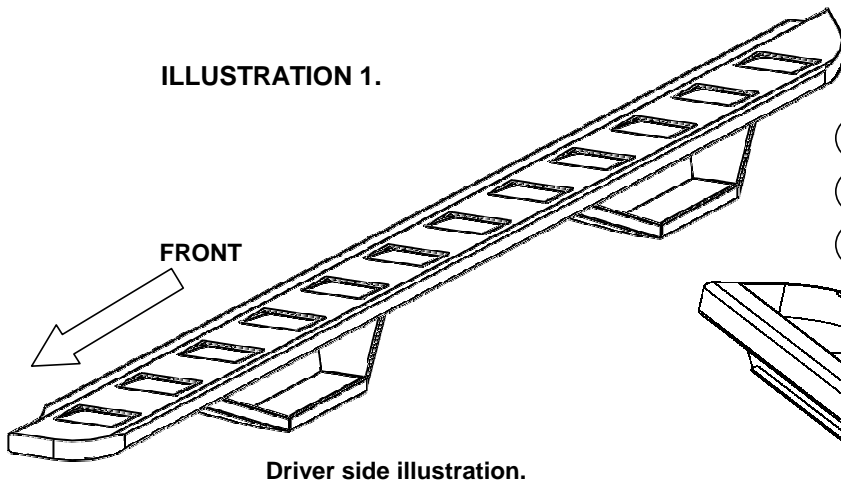


ILLUSTRATION 2.

