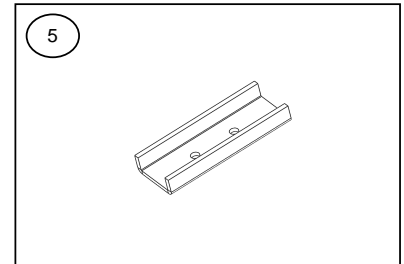
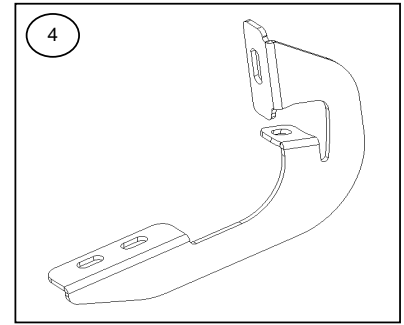


**INSTALLATION INSTRUCTIONS**  
**RB10 SIDE STEPS PART # 63405880T**  
**2014-2015 CHEVROLET SILVERADO & GMC SIERRA DOUBLE CAB**  
**Do not attempt to install this product on any vehicle other than the one listed above!**

**PARTS LIST**

ITEM	QTY.	PART #	DESCRIPTION	TORQUE
1	1	630080T	RB10 Side Steps passenger	-
2	1	630080T	RB10 Side Steps driver	-
3	1	BRK-6340475	Hardware brackets kit	-
4	8	6340474AA	Bracket	-
5	8	6300874AA	U bracket	-
6	1	KTE-634047	Hardware kit	-
7	16	-	5/16 x 1" Hex head bolt black plated	11 Lb.ft
8	16	-	5/16" Flat washer black plated	-
9	16	-	5/16" Lock washer black plated	-
10	8	-	M8 Hex nut zinc plated	20 Lb.ft
11	16	-	M8 x 25mm Hex head bolt zinc plated	20 Lb.ft
12	8	-	M8 Clip nut black plated	20 Lb.ft
13	24	-	5/16" Flat washer zinc plated	-
14	16	-	5/16" Lock washer zinc plated	-



**ASSEMBLY & INSTALLATION TOOLS REQUIRED:**

1/2" Socket & 1/2" Wrench  
 13mm Socket & 13mm Wrench  
 Ratchet  
 Extension.

Approximate installation time: 40 min.

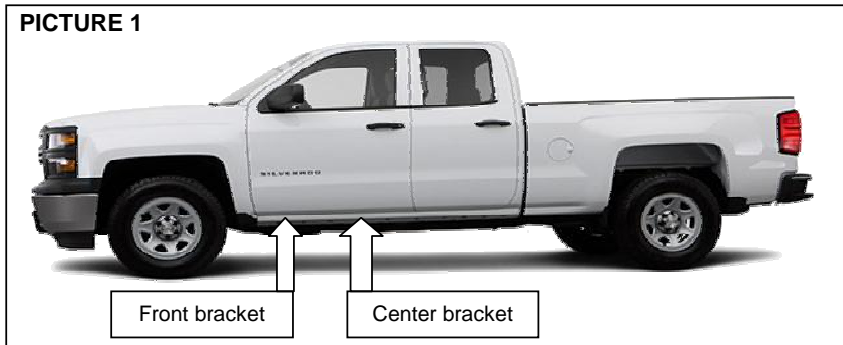


It is the customer's responsibility to protect the finish with a regular application of a nonabrasive polish compatible with the products finish. **NOTE: LOOK THE POSITION BEFORE INSTALLING THE BRACKETS.**

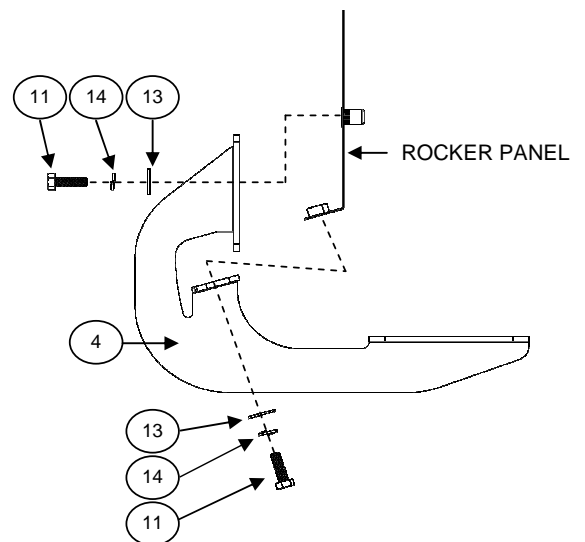
**INSTALLATION**

**Step-1** Locate in the front and center in rocker panel of the vehicle the existing nut threaded hole. **SEE PICTURE 1 & 2.** Place the bracket and attach with: M8 hex head bolt, M8 flat and lock washers (zinc plated), according to the **ILLUSTRATION 1.** Leave loose. Repeat for the opposite side.

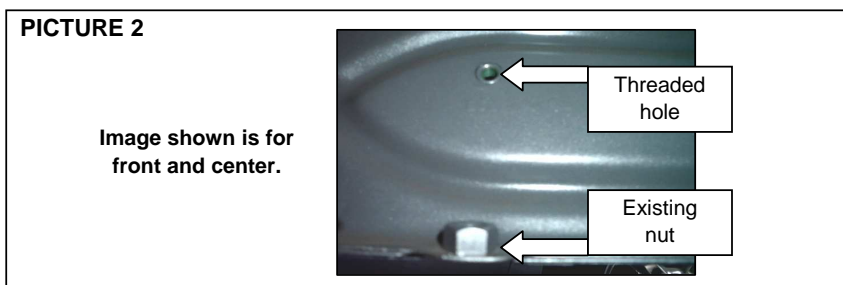
**PICTURE 1**



**ILLUSTRATION 1**

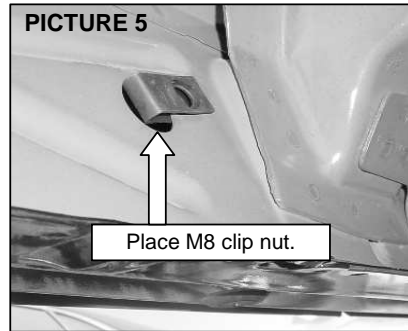
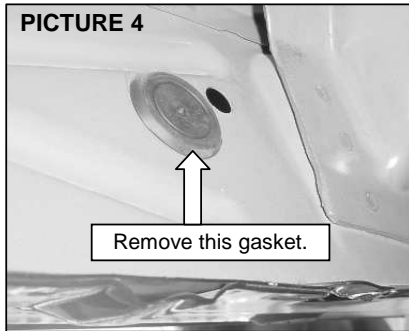
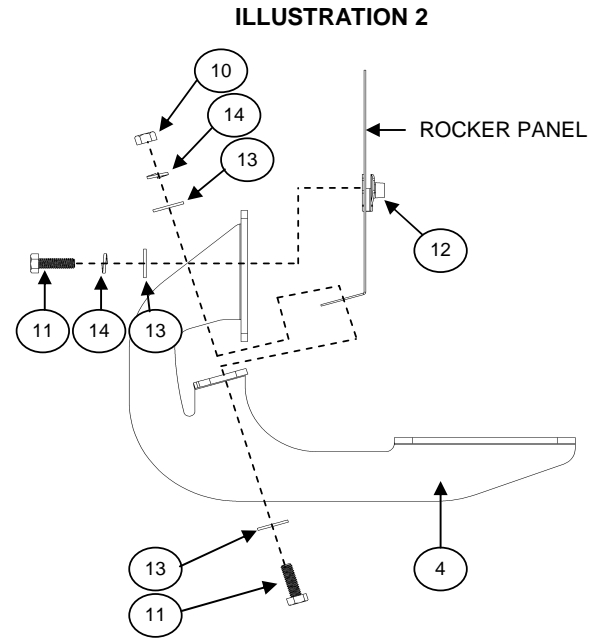
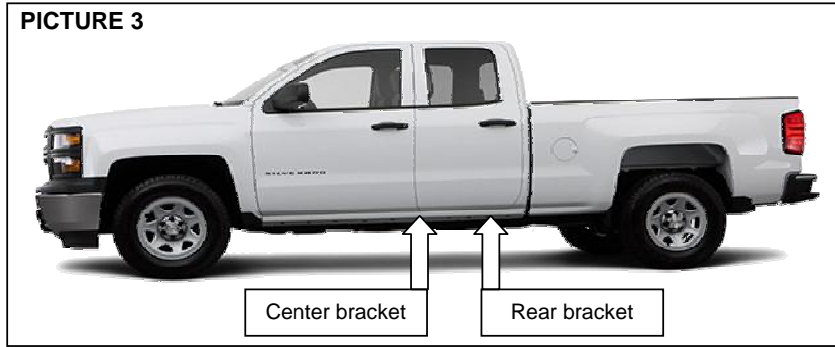


**PICTURE 2**



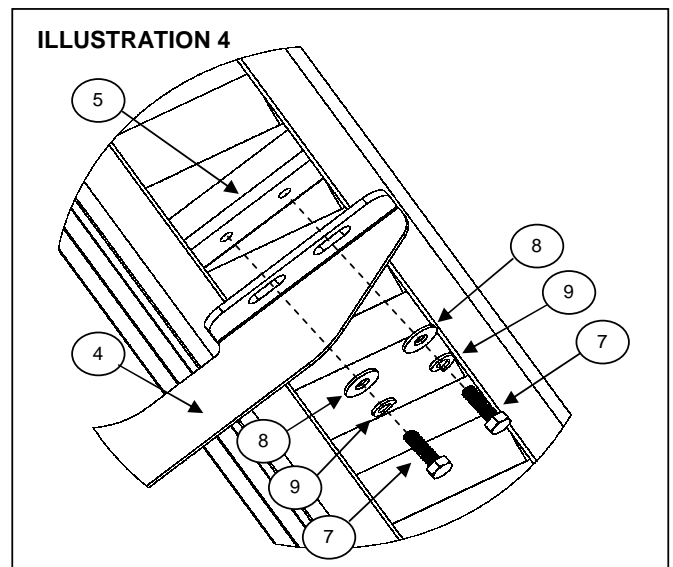
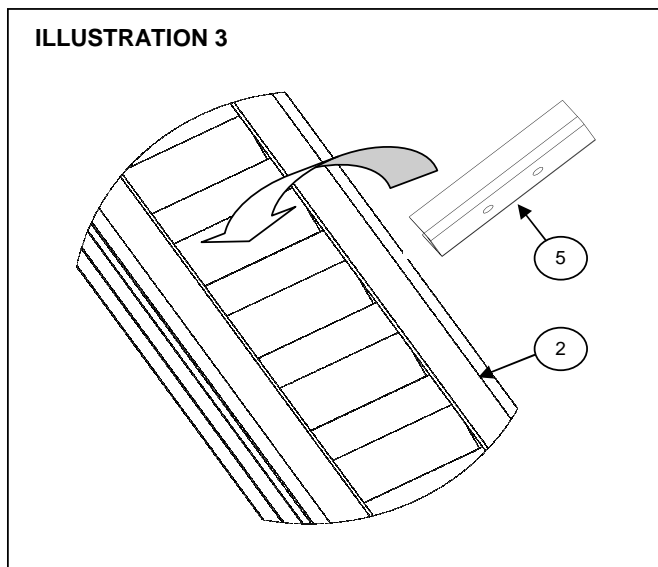
Use wrench, ratchet, hex socket 13mm.

**Step-2** Locate in the center and rear in the rocker panel of the vehicle the hole and insert a M8 clip nut. **SEE PICTURE 3 & 4 & 5.** Place the bracket and attach with: M8 hex head bolt, M8 flat and lock washers, M8 hex nut (zinc plated), according to the **ILLUSTRATION 2.** Leave loose. Repeat for the opposite side.



Use wrench, ratchet, hex socket 13mm.

**Step-3** Place the U bracket and attach with: 5/16" hex head bolt, 5/16" Flat and lock washer (black plated), by each bracket. **SEE ILLUSTRATION 3 & 4.** Repeat for the opposite side. Leave loose.



Use ratchet & 1/2" hex socket.

**Step-4** Align the side bar and then tighten all bolts.

**Step-5** Periodically check your product because it may need a re-tighten of bolts.

**Step-6** Fill the warranty card and place it inside your vehicle's glove box.