

INSTALLATION INSTRUCTIONS

4148

80 – 98 Ford F-Series P.U. Crew Cab

Parts List :

QTY	(1) Hardware kit including :	
(1) Sidebar set (Driver & Passenger)	(4) 1/2 x 1 1/2" Hex head bolt	(6) 3/8" hex nut
(2) Front mounting bracket (Driver & Passenger)	(4) 1/2" Flat washer	(2) 7/16 x 1" Hex head bolt
(2) Rear mounting bracket	(4) 1/2" Lock washer	(2) 7/16" Flat washer
(2) Auxiliary mounting bracket	(4) 3/8 x 1" hex head bolt	(2) 7/16" Lock washer
(2) Spacer tubes	(2) 3/8 x 4" hex head bolt	(2) 7/16 x 1 1/2" Coupling nut
	(6) 3/8" Flat washer	
	(6) 3/8" Lock washer	

Tools Required :

9/16" Socket	5/8" Socket	3/4" Wrench
3/4" Socket	5/8" Wrench	Ratchet

Instructions :

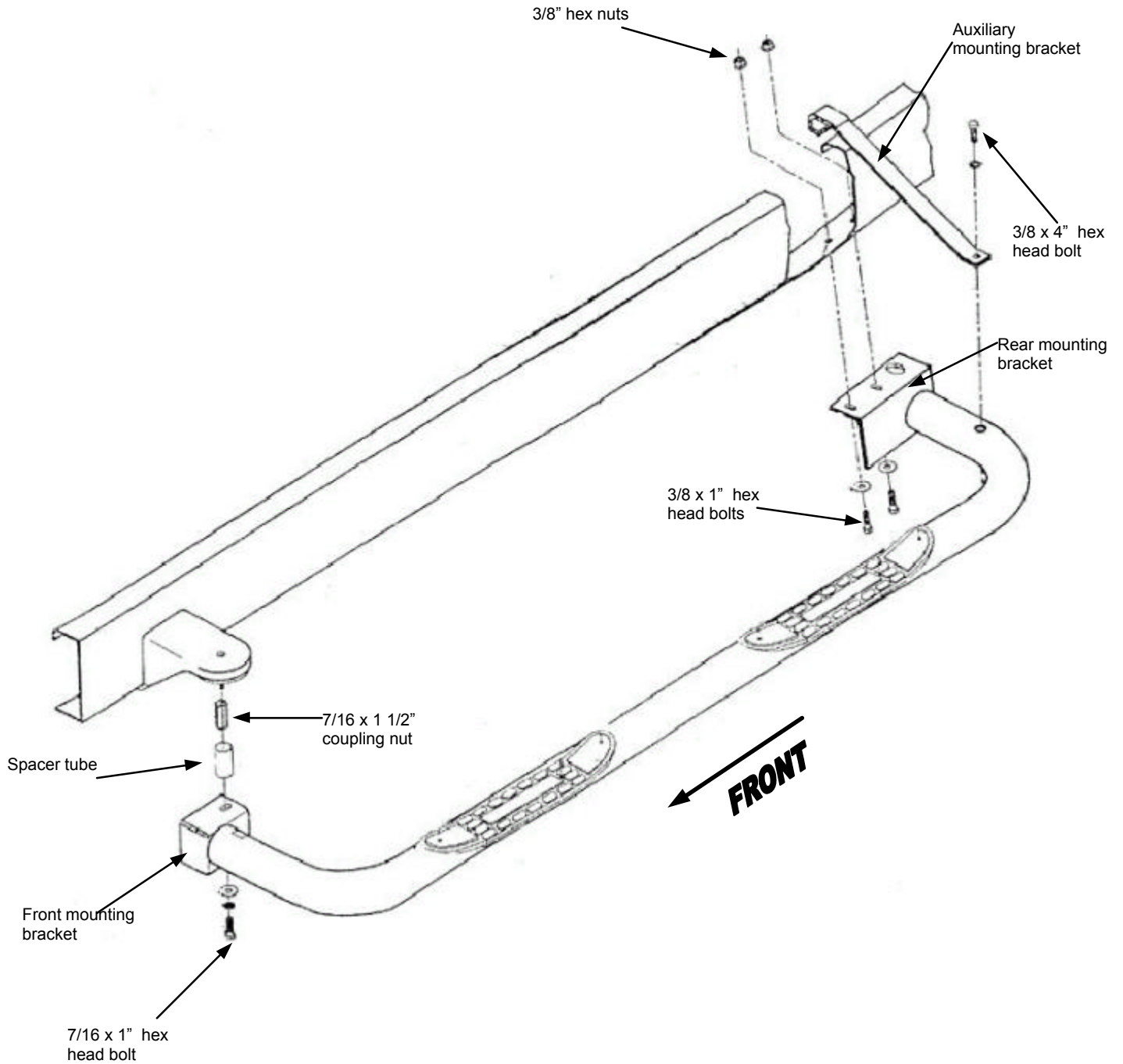
Approximated installation time: 30 min.

1. Read and understand instructions completely before beginning installation.
2. Sidebar set consist of a driver and passenger side. Be sure to determinate the correct before installation.
3. Thread the 7/16 x 1 1/2" hex coupling nut onto the front body mount and torque it to 40 ft./lbs. Place the spacer tube over the front body mount coupling nut and insert the 7/16 x 1" hex head bolt with 7/16" lock washer and 7/16" flat washer up through the hole in the front mounting bracket.
4. Place rear mounting bracket with flat face up and secure to the frame using a 3/8 x 1" hex head bolts, flat and lock washers, and hex nuts. Hand tighten.
5. Place the sidebar up to the mounting brackets and bolt to the mounting brackets using the 1/2 x 1 1/2" hex head bolt, flat and lock washer. Leave loose.
6. To install auxiliary mounting bracket, hook the auxiliary mounting bracket over the top of the frame. Attach to the sidebar using a 3/8 x 4" hex head bolt with lock, flat washer and nut. *Note:* To install this bracket on passenger side of the vehicle it may be necessary to push the fuel vent line, located on the outboard side of the frame, forward just a bit.
7. Make any final adjustments to the alignment of the *sidebar* and tighten all bolts. Repeat for the opposite side.
8. You may need to periodically re-tighten the bolts.

INSTALLATION INSTRUCTIONS

4148

Assembly Diagram :



Cleaning and care instructions :

Protect the finish with a non-abrasive automotive wax, (e.g. Pure Carnauba) on a regular basis. The use of any soap, polish, or wax that contains an abrasive is detrimental to the finish, as the compounds scratch the finish and cause corrosion.