

## INSTALLATION INSTRUCTIONS

BRACKET	OVAL SIDE BAR WIDESIDER 4"	WHEEL TO WHEEL WIDESIDER 4"	RUNNING BOARD WIDESIDER 5" & 6"	APPLICATION	MODEL
6841805	64180 67180	-	39587 39687	FORD SUPER DUTY CREW CAB.	99 - 13
	64176 67176	-	39587 39687	FORD SUPER DUTY EXT. CAB.	99 - 13
	-	641262	-	FORD SUPER DUTY CREW CAB. 6'	99 - 13
	-	641256	-	FORD SUPER DUTY EXT. CAB. 6'	99 - 13

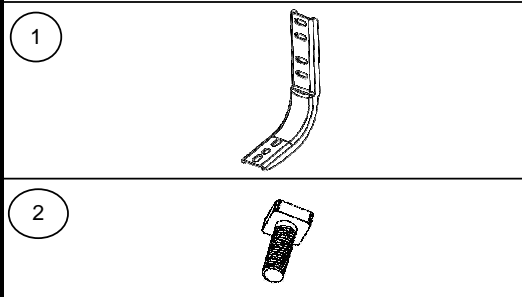
**Parts List:**

ITEM	QTY	CODE	DESCRIPTION	MAX. TORQUE
1	3	3910306AB	Brackets set ( Front & Middle & Rear )	-
			<b>KTE-390305 Hardware kit includes:</b>	
2	12	-	5/16" Box head bolt	11 lb.ft
3	12	-	5/16" Flat washer	-
4	12	-	5/16" Lock washer	-
5	12	-	5/16" Hex nut	11 lb.ft
6	12	-	3/8 x 1 1/4" Hex head bolt	30 lb.ft
7	18	-	3/8" Flat washer	-
8	12	-	3/8" Lock washer	-
9	6	-	3/8" Hex nut	30 lb.ft
10	6	-	3/8" Clip nut	30 lb.ft
11	1	-	Oval side bar widesider 4"	-

**Tools required not including:**

DESCRIPTION	QTY
9/16" & 1/2" Hex socket / 9/16" Wrench	1
17mm Double hex socket ( 12 point ) or 15mm Wrench	1
Ratchet	1
Ratchet extension	1

**ILLUSTRATION 1**



**Approximated installation time: 30 min.**

**Instructions:**

1. Before beginning the installation read all instructions thoroughly and verify that all hardware is accounted for. if there are any listed parts missing, please notify your distributor immediately.

**ILLUSTRATION 2**

Running board widesider 5" & 6" /  
Oval Side Bar widesider 4"  
NOT INCLUDED

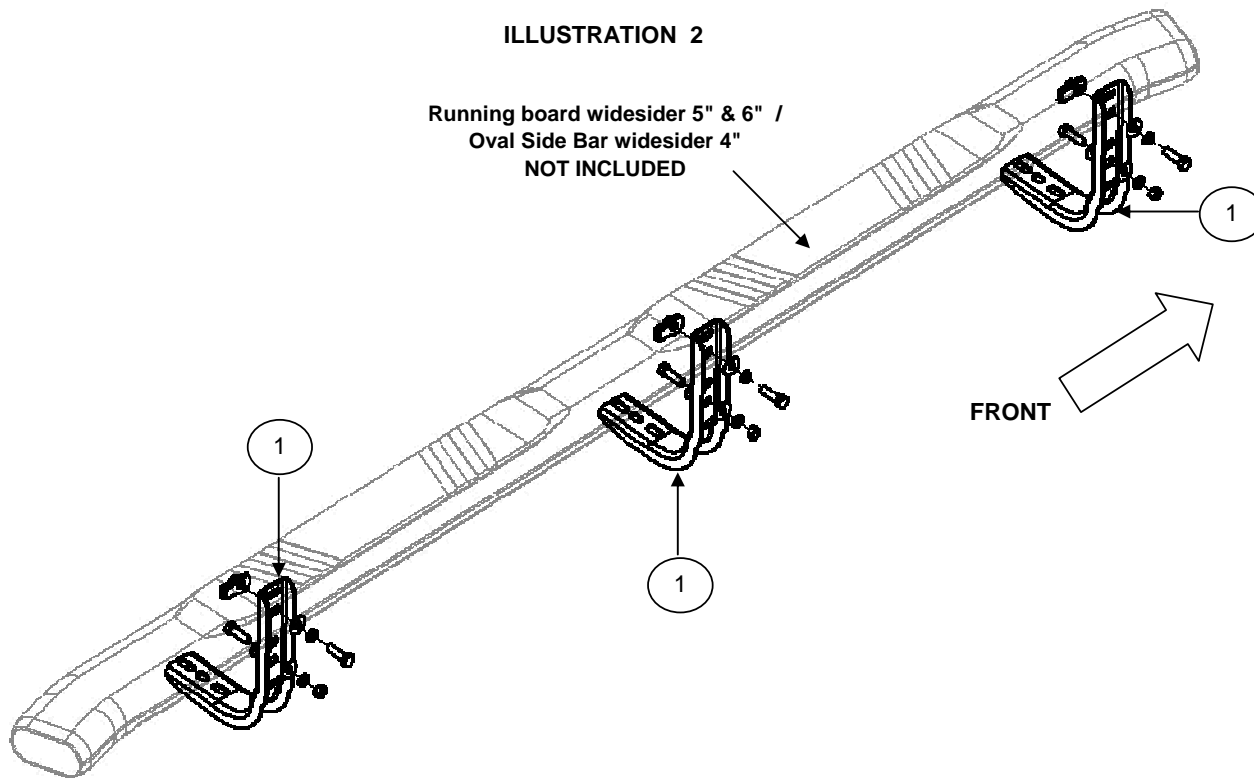


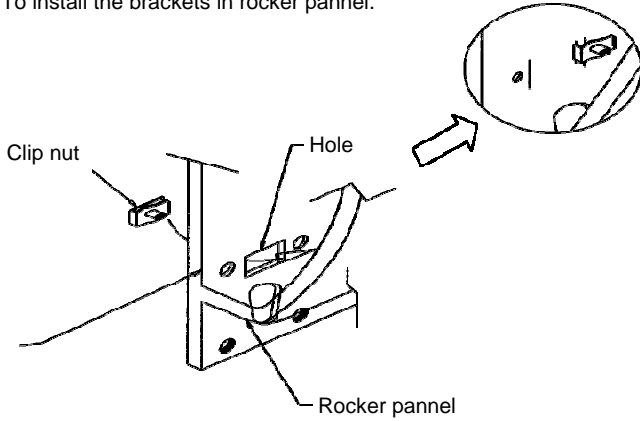
Illustration driver side.

## INSTALLATION INSTRUCTIONS

2. Located holes inside the body in vehicle, front, middle, rear, place a clip nut in upper part. **SEE ILLUSTRATION 3.**

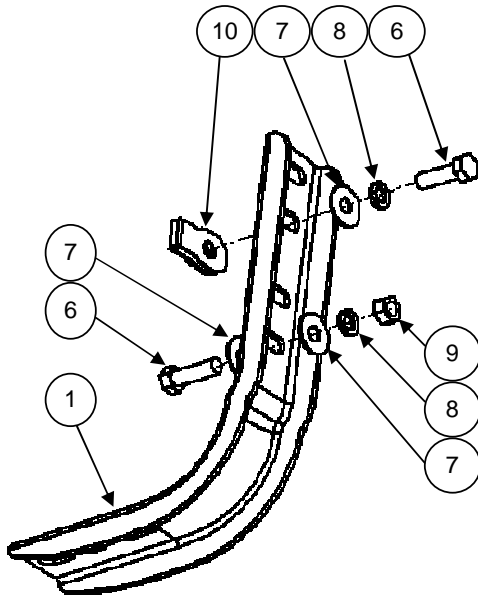
### ILLUSTRATION 3

To install the brackets in rocker panel.



3. Mount bracket and attach with: ( 1 ) 3/8 x 1 1/4" hex head bolt, ( 1 ) 3/8" flat and lock washers, in lower part attach with: ( 1 ) 3/8 x 1 1/4" hex head bolt, ( 2 ) 3/8 flat washer, ( 1 ) 3/8" lock washer, ( 1 ) 3/8" hex nut. **SEE ILLUSTRATION 4.** By each bracket. Leave loose.

### ILLUSTRATION 4



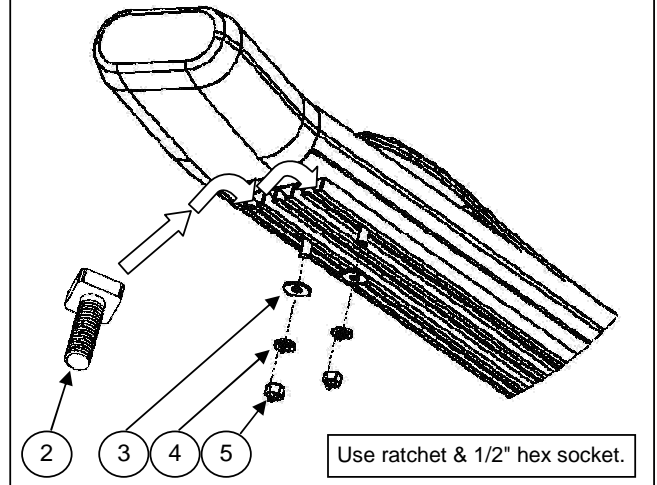
Use ratchet & 9/16" hex socket & 9/16" wrench.

Illustration to front, middle and rear part. Driver side.

4. If you acquired a Running board widesider 5" & 6", insert 5/16" square head bolt on rail, place on brackets and attach with: 5/16" Flat and lock washer, 5/16" hex nut. **SEE ILLUSTRATION 5.** Repeat for the opposite side. Leave loose.

### ILLUSTRACION 5

#### RUNNING BOARD WIDESIDER 5" & 6" INSTALLATION



5. If you acquired a Oval side bar widesider 4", place on brackets and attach with: 5/16" square head bolt, 5/16" Flat and lock washer. **SEE ILLUSTRATION 6.** Repeat for the opposite side. Leave loose.  
 6. Align Running board widesider 5" & 6" or Oval side bar widesider 4" and then tighten all bolts.  
 7. Periodically check your product because it may need a re-tighten of bolts.  
 8. Fill the warranty card and place it inside your vehicle's glove box.

### ILLUSTRACION 6

#### OVAL SIDE BAR WIDESIDER 4" INSTALLATION

