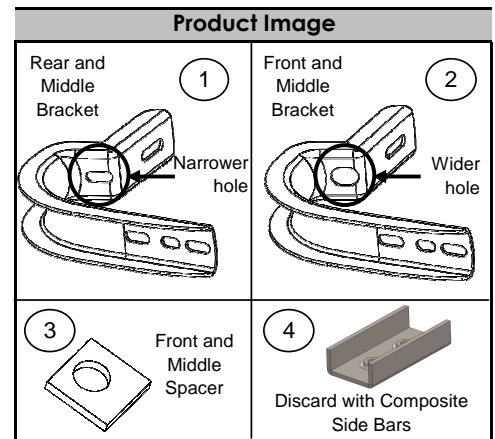


BRACKET	4" Widesider Side bars	5" Widesider Side bars	6" Widesider Side bars	VEHICLE	YEAR
6840465	640087 (Platinum) 67048 (Platinum) 64048 (Platinum)	650087 (Platinum) 680087 (XL composite)	660087 (Platinum) 680187 (XL Composite)	CHEVROLET SILVERADO CREW CAB	2014
	640080 (Platinum) 67049 (Platinum)	650080 (Platinum) 680080 (XL Composite)	660080 (Platinum) 680180 (XL Composite)	CHEVROLET SILVERADO DOUBLE CAB	

Parts List					
Item	Qty.	Code	Description	Max. Torque	
1 Kit BRK-3912035 Kit de brackets					
1	4 Piece	3912036AB	Rear & middle bracket	-	
2	4 Piece	3912036BB	Front & middle bracket	-	
3	4 Piece	3912021AA	Spacer	-	
4	2 Piece	396801AA	U bracket (Used with Black or Polished Stainless Steel Side Bars)	-	
1 Kit KTE-392035B Hardware kit					
4	16 Piece	-	5/16" Square head bolt	11 Lb.ft	
5	36 Piece	-	5/16" Flat washer	-	
6	32 Piece	-	5/16" Lock washer	-	
7	16 Piece	-	5/16" Hex nut	11 Lb.ft	
8	8 Piece	-	M8 P1.25 Hex nut	20 Lb.ft	
9	16 Piece	-	M8 x 25mm P1.25 Hex Head bolt	20 Lb.ft	
10	8 Piece	-	M8 P1.25 Clip nut	30 Lb.ft	
11	4 Piece	-	3/8" Flat washer	-	
NOTE: 67048PS / 64048B / 67049PS / 67049B INCLUDE:					
12	1 Set	-	4" Tubular Widesider Side Bar (Passenger / Driver).	-	

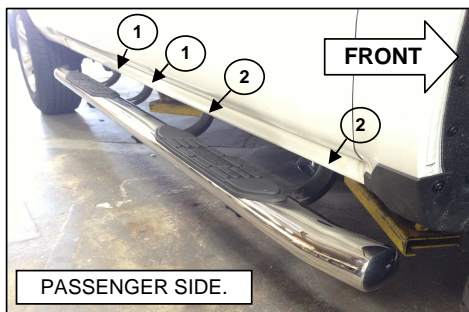
Required Tools (Not included)	
Qty.	Description
1	1/2" Socket & 1/2" Wrench
1	13mm Socket & 13mm Wrench
1	17mm Double hex socket (12 point) or 15mm Wrench
1	Ratchet
1	Extension



Instructions

- 1.- Before beginning the installation, please read all directions carefully and verify that all necessary hardware is accounted for. If any parts are missing, stop the installation and contact your distributor immediately.
- 2.- For the care and maintenance of this product is recommended to keep it clean and do not use abrasive wax to protect the finish.
- 3.- The approximate installation time is 45 min. **NOTE: LOOK THE POSITION BEFORE INSTALLING THE BRACKETS.**
4. For **CREW CAB** models, locate in the front and center in rocker panel of the vehicle the existing nut threaded hole. **SEE PICTURE 1.** Place the bracket and attach according to the **ILLUSTRATION 1.** **NOTE: Place the spacer as shown in illustration 1.** In the rear part, locate the hole and insert a M8 clip nut. **SEE PICTURE 2.** Place the bracket and attach according to the **ILLUSTRATION 1.** Repeat for the opposite side.

POSITION OF THE BRACKETS.



PICTURE 1.

Image shown is for front and center.

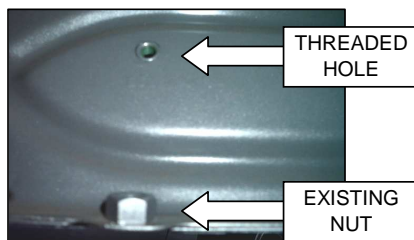
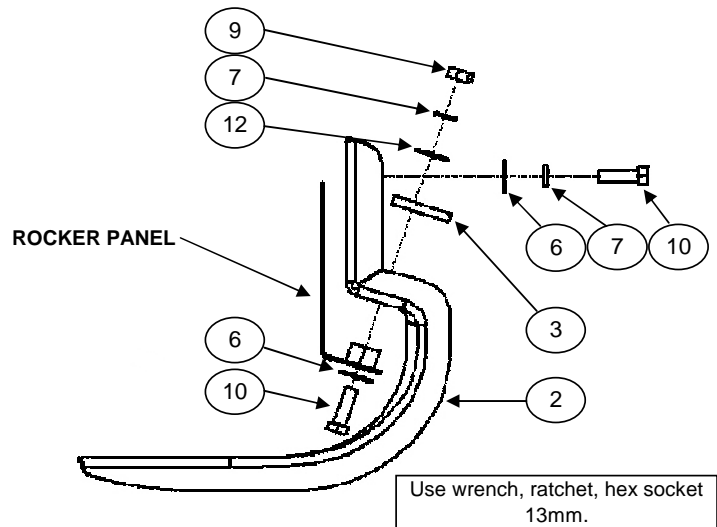


ILLUSTRATION 1



5. For **EXTENDED CAB** models, locate in the rear in the rocker panel of the vehicle the hole and insert a M8 clip nut. **SEE PICTURE 2**. Place the bracket and attach according to the **ILLUSTRATION 2**. Repeat for the opposite side.
6. If you acquired a 5" or 6" **COMPOSITE** Side bar, insert 5/16" square head bolt on rail, place on brackets and attach with: 5/16" Flat and lock washer, 5/16" hex nut. **SEE ILLUSTRATION 3**. Repeat for the opposite side. Leave loose.
7. If you acquired a 4", 5" or 6" **Black or Stainless Steel** side bar, place on brackets and attach with: 5/16" square head bolt, 5/16" Flat and lock washer. **SEE ILLUSTRATION 4**. Repeat for the opposite side. Leave loose.
8. align the side bar and then tighten all bolts.
9. Periodically check your product because it may need a re-tighten of bolts.
10. Fill the warranty card and place it inside your vehicle's glove box.

PICTURE 2

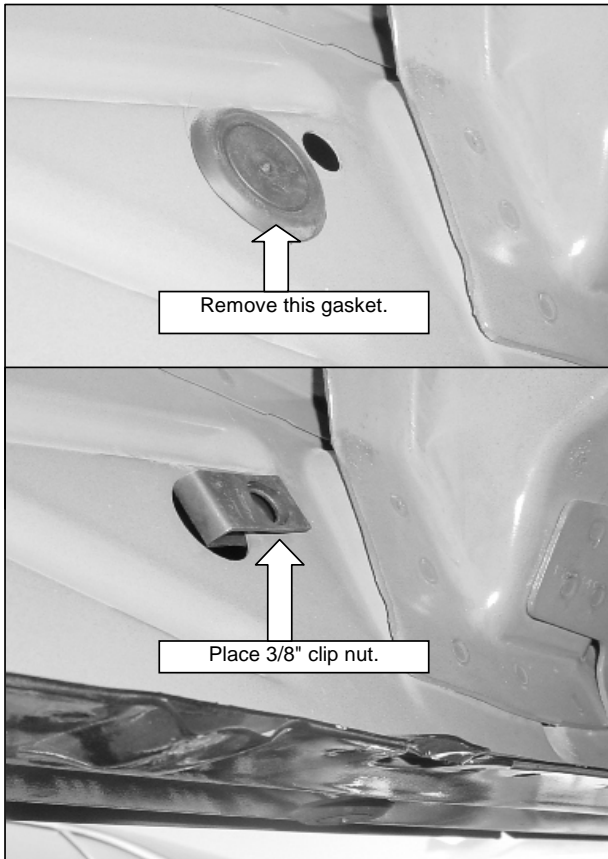


ILLUSTRATION 2

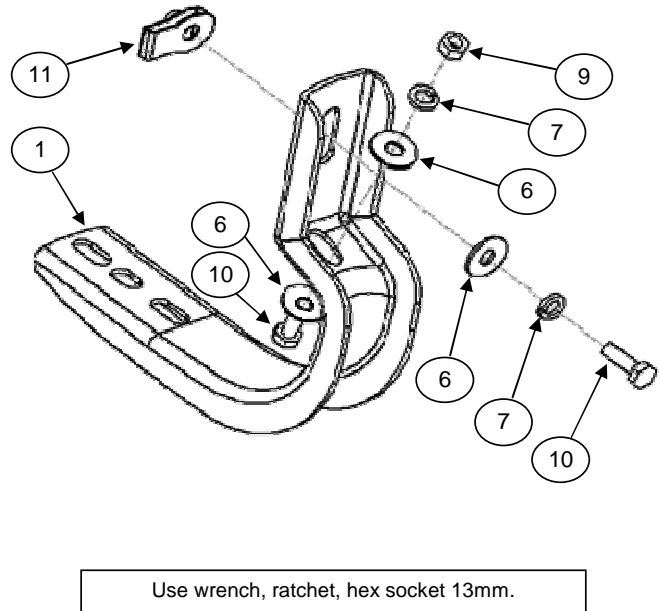


ILLUSTRATION 3

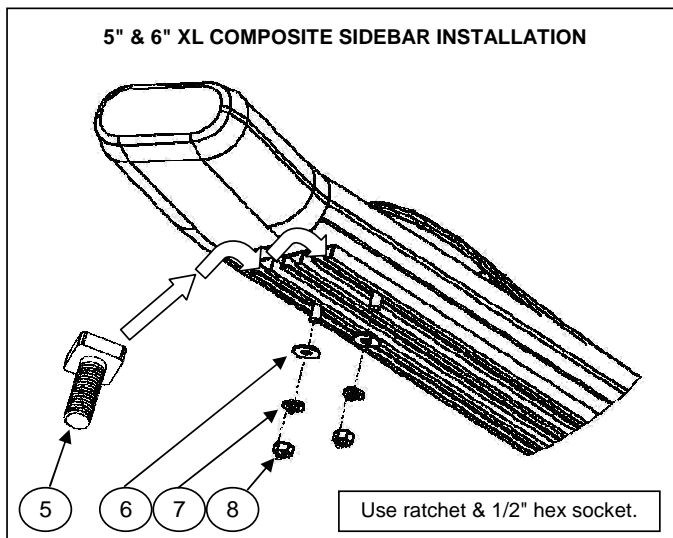


ILLUSTRATION 4

