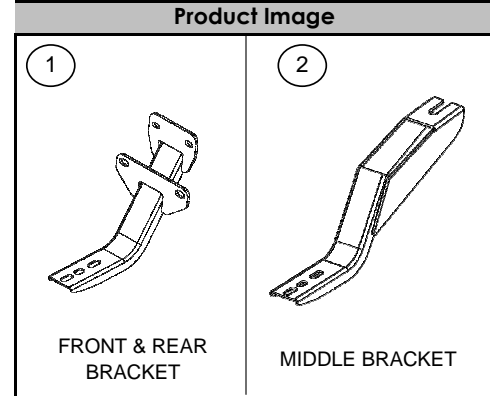


| BRACKET | 4" O.E. XTREME | 5" O.E. XTREME | 6" O.E. XTREME | VEHICLE | YEAR |
|---------|-------------------|--|--|---------------------------|------|
| 6841565 | 640080 (Platinum) | 650080 (Platinum) 680080 (XL Composite) | 660080 (Platinum) 680180 (XL Composite) | FORD LOBO F-150 SUPER CAB | 2015 |

| Parts List | | | | | |
|---|----------|----------|--|-------------|--|
| Item | Qty. | Code | Description | Max. Torque | |
| 1 Kit BRK-392295 Bracket kit | | | | | |
| 1 | 4 Piece | 392690AA | Front and rear bracket | - | |
| 2 | 2 Piece | 392290AA | Middle bracket | - | |
| 1 Kit KTE-392295 Hardware kit | | | | | |
| 3 | 12 Piece | - | 5/16 x 1" Hex head bolt black | 11 Lb.ft | |
| 4 | 12 Piece | - | 5/16" Flat washer black | - | |
| 5 | 12 Piece | - | 5/16" Lock washer black | - | |
| 6 | 12 Piece | - | M8 P1.25 Hex nut gray | 20 Lb.ft | |
| 7 | 12 Piece | - | 5/16" Flat washer gray | - | |
| 8 | 12 Piece | - | 5/16" Lock washer gray | - | |
| NOTE: 67127B / 67127T / 67127PS INCLUDE: | | | | | |
| 9 | 1 Set | - | 415 Series Side Step (Passenger / Driver). | - | |

| Required Tools (Not included) | |
|-------------------------------|---------------------------|
| Qty. | Description |
| 1 | 1/2" Socket & 1/2" Wrench |
| 1 | 13mm Socket & 13mm Wrench |
| 1 | 18mm Socket |
| 1 | Ratchet |
| 1 | Extension to ratchet |

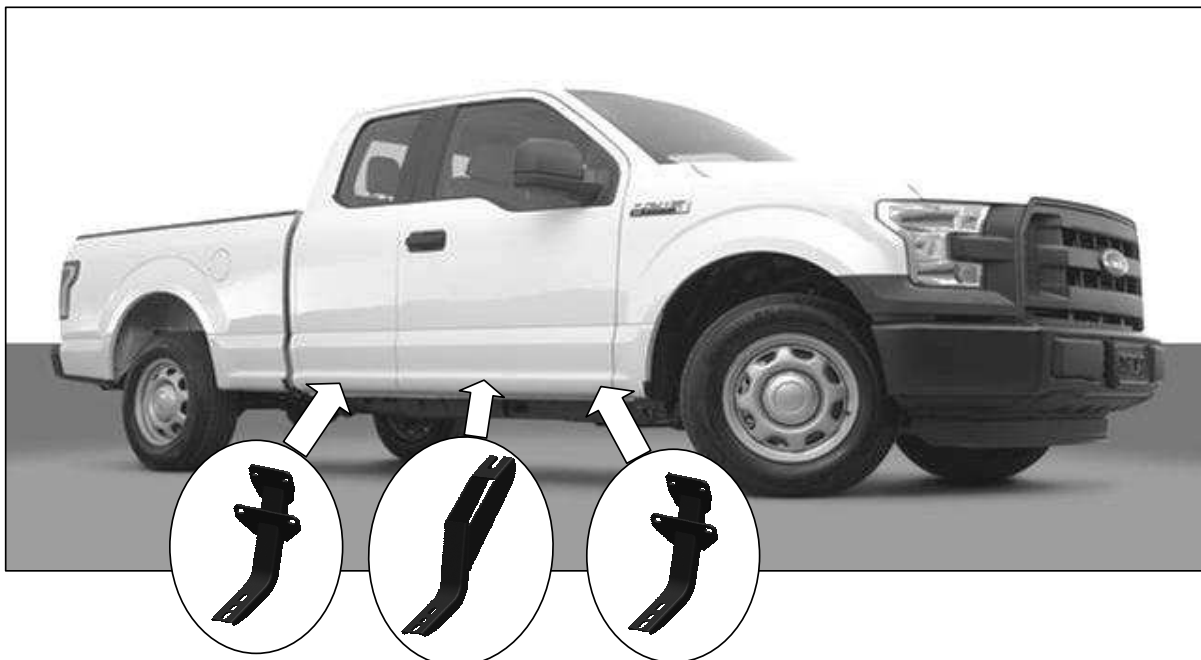


Instructions

- 1.- Read the installation instructions completely and verify that all of the parts listed are accounted for.
- 2.- For the care and maintenance of this product is recommended to keep it clean and do not use abrasive wax to protect the finish.
- 3.- The approximate installation time is 45 min. **NOTE: LOOK THE POSITION BEFORE INSTALLING THE BRACKETS.**

This installation uses 3 brackets per side, **(Photo 1).**

PHOTO 1.



- 4.- Begin the installation on the passenger side. Starting at the front of the vehicle, locate the (3) threaded studs on the inner rocker panel, **(Photo 2).**
- 5.- Install one of the front / rear brackets by positioning the bracket flanges over the studs and secure to the rocker panel using (3) M8 flat washers, (3) M8 lock washers and (3) M8 hex nuts. Leave the nuts loose for final adjustment, **(Photo 3).**

PHOTO 2.

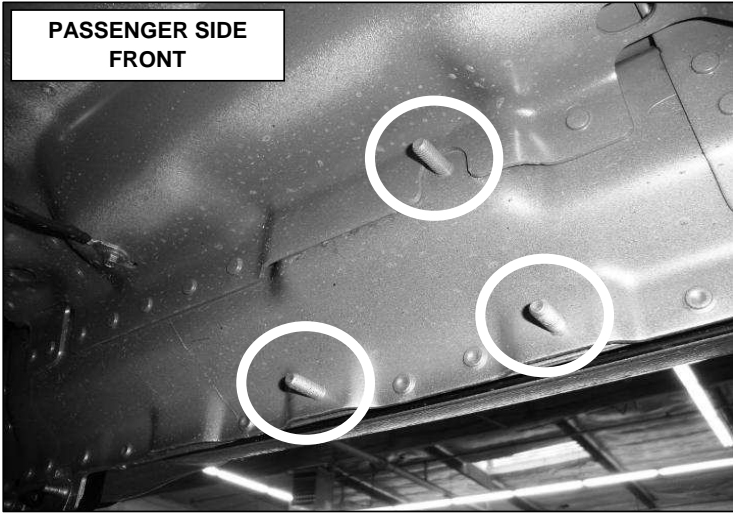
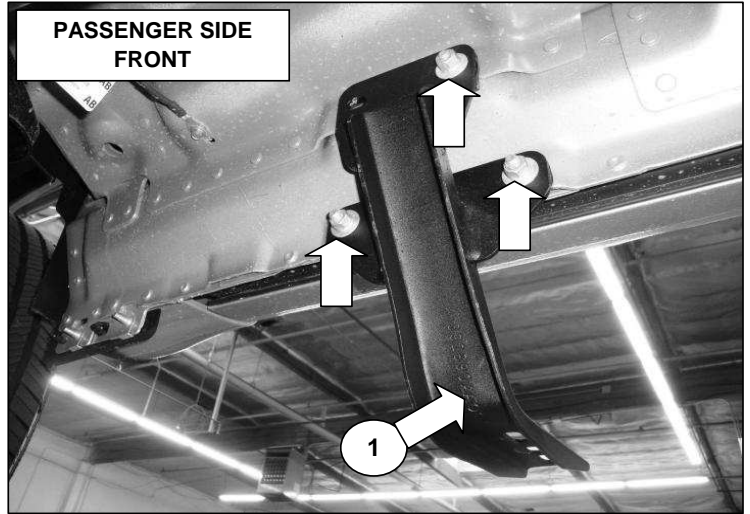


PHOTO 3.



6.- Locate the (3) threaded studs on the inner rocker panel at the rear of the cab and repeat the above steps to install one of the front / rear mounting brackets, (Photo 4 & 5).

PHOTO 4.

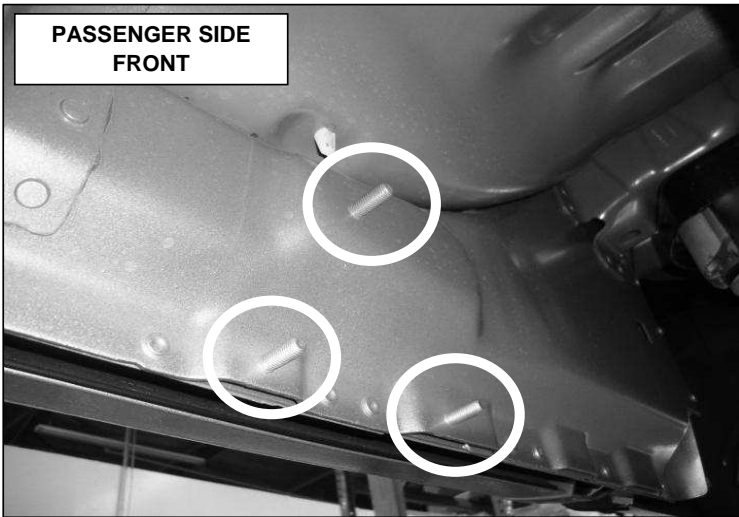
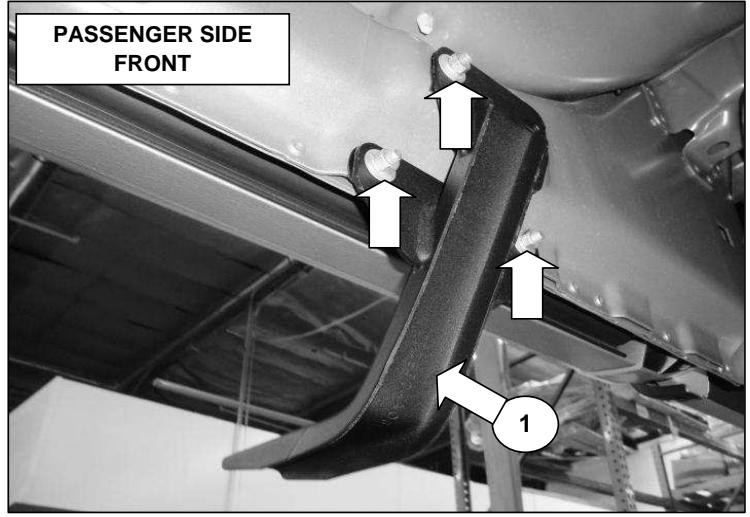


PHOTO 5.



7.- Locate and Loosen the center body bolt just enough, then slide the center bracket mounting flange between the body bolt washer and body mount with the slot positioned around the body bolt, (Photo 6 & 7). **Caution: Do not remove the body bolt.**

PHOTO 6.

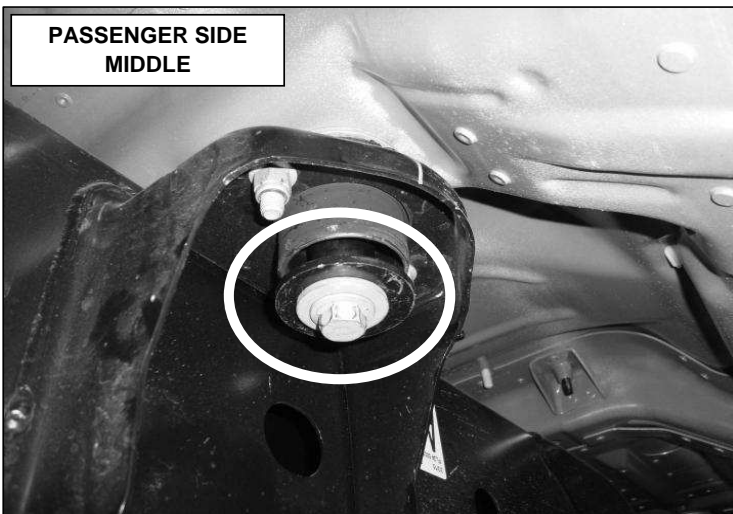
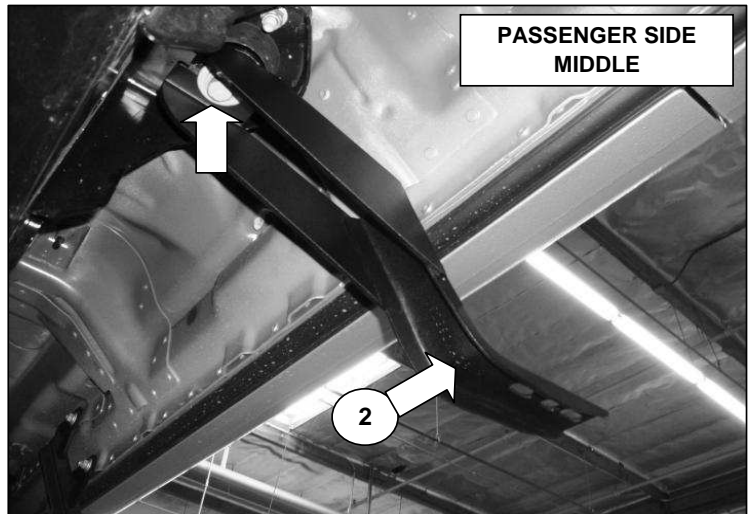
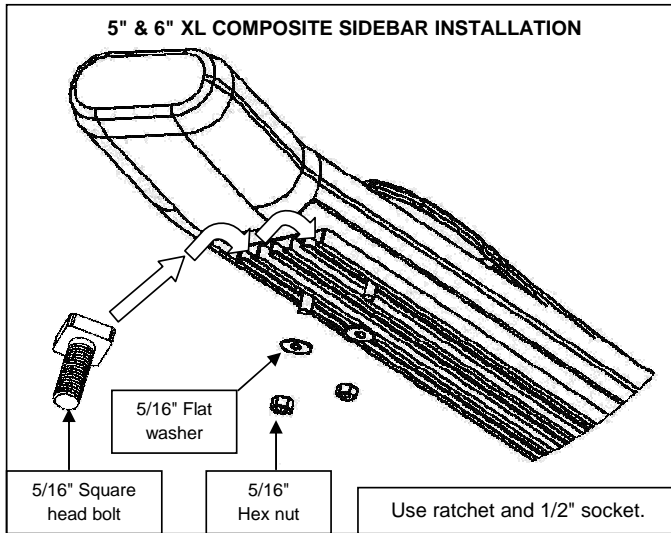


PHOTO 7.



8. If you acquired a 5" or 6" COMPOSITE Side bar, insert 5/16" square head bolt on rail, place on brackets and attach with: 5/16" flat washer, 5/16" hex nut. **SEE ILLUSTRATION 1.** Repeat for the opposite side. Leave loose.
9. If you acquired a 4", 5" or 6" Black or Stainless Steel side bar, place on brackets and attach with: 5/16" hex head bolt, 5/16" flat and lock washer. **SEE ILLUSTRATION 2.** Repeat for the opposite side. Leave loose.
10. Align the side bar and then tighten all bolts.
11. Periodically check your product because it may need a re-tighten of bolts.
12. Fill the warranty card and place it inside your vehicle's glove box.

ILLUSTRATION 1.



NOTE: This hardware is included in 5" & 6" XL COMPOSITE SIDEBAR.

ILLUSTRATION 2.

