

## INSTALLATION INSTRUCTIONS

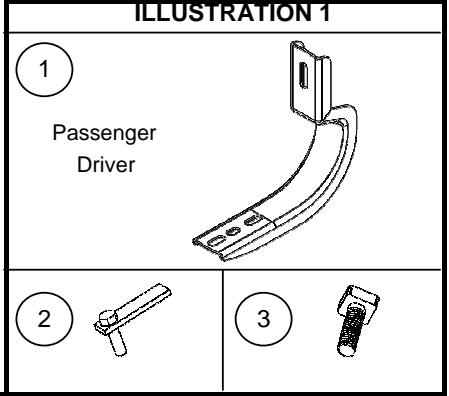
BRACKET	<u>OVAL SIDE BAR</u> WIDESIDER 4"	WHEEL TO WHEEL WIDESIDER 4"	RUNNING BOARD WIDESIDER 5" & 6"	APPLICATION	MODEL
6841265	64126	-	680087	FORD F-150 EXT. CAB.	04 - 11
	64150	-	680087	FORD F-150 CREW CAB.	04 - 08
	64151	-	680087	FORD F-150 CREW CAB.	09 - 11
	-	641249	-	FORD F-150 CREW CAB. 5.5'	09 - 11
	-	641126	-	FORD F-150 EXT. CAB. 6.5'	04 - 11
	-	-	-	FORD F-150 CREW CAB. 5.5'	04 - 08
	-	-	-	-	-

**Parts List:**

ITEM	QTY.	CODE	DESCRIPTION	TORQUE
1	3	391694BB	Brackets set ( Front & Middle & Rear )	-
2	2	371980EA	3/8" bolt plate	30 Lb/Ft
<b>KTE-391695 Hardware kit including:</b>				
3	12	-	5/16" Square head bolt	11 Lb/t
4	12	-	5/16" Flat washer	-
5	12	-	5/16" Lock washer	-
6	12	-	5/16" Hex nut	11 Lb/t
7	6	-	3/8" Clip nut	-
8	6	-	3/8 x 1 1/4" Hex head bolt	30 Lb/Ft
9	6	-	3/8 x 1 1/4" Carriage head bolt	30 Lb/Ft
10	12	-	3/8" Flat washer	-
11	12	-	3/8" Lock washer	-
12	8	-	3/8" Hex nut	30 Lb/Ft
13	2	-	Gasket vinyl	-
<b>NOTE: 64126(B-PS) / 64150(B-PS) / 64151(B-PS) / 641249(B-PS) / 641126(B-PS) INCLUDES:</b>				
14	1	-	Oval side bar widesider 4"	-

**Tools required not including:**

DESCRIPTION	QTY
9/16" & 1/2" Hex socket	1
17mm Double hex socket ( 12 point ) or 15mm Wrench	1
Ratchet	1
Ratchet extension	1



**Instructions:**

**Approximated installation time: 30 min.**

1. Before beginning the installation read all instructions thoroughly and verify that all hardware is accounted for. If there are any listed parts missing, please notify your distributor immediately.

**ILLUSTRATION 2.**

Running board widesider 5" & 6" /  
Oval Side Bar widesider 4"  
**NOT INCLUDED**

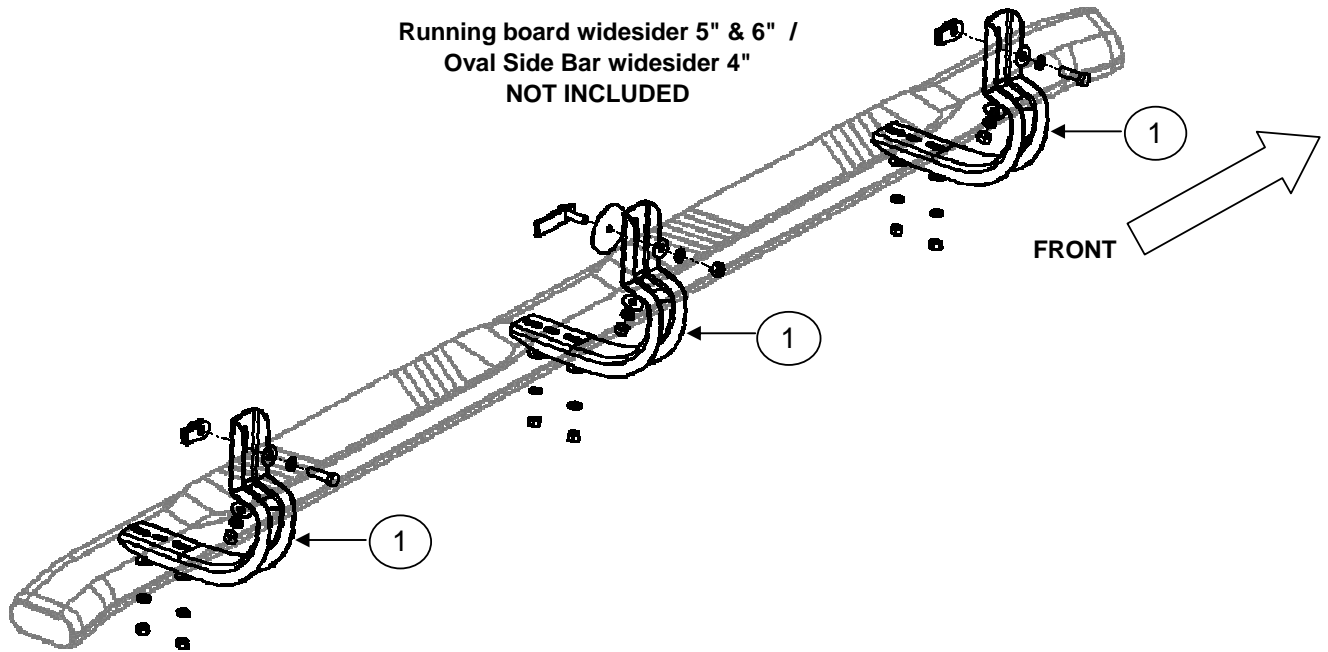
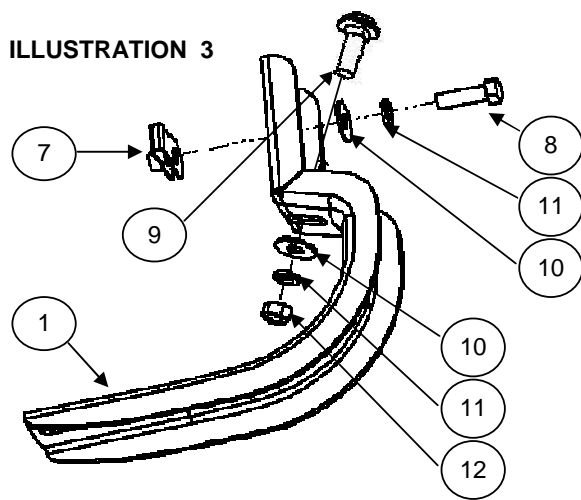


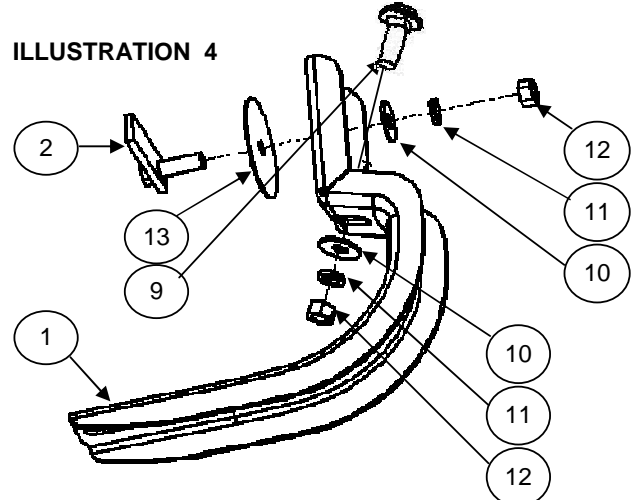
Illustration driver side.

## INSTALLATION INSTRUCTIONS

2. Located holes inside the body of vehicle, front, middle, rear, place a clip nut in upper part. Mount bracket and attach with: 3/8 x 1 1/4" hex head bolt, 3/8" flat and lock washers. **NOTE 1: Models 2009 - 2010 insert 3/8" bolt plate, gasket vinyl, middle part, attach with: 1 3/8" flat and lock washers, 3/8" hex nut.** In lower part by each bracket attach with: 3/8 x 1" carriage head bolt, 3/8" flat and lock washers, 3/8" hex nut. **SEE ILLUSTRATION 3 & 4.** Leave loose. Repeat in opposite side.



9/16" Use ratchet & socket.



9/16" Use ratchet & socket.

**In models 09 - 10 front and rear part. Driver side.**  
**In models 04 - 10 front, middle and rear part. Driver side.**

**In models 09 - 10 middle part. Driver side.**

3. If you acquired a Running board widesider 5" & 6", insert 5/16" square head bolt on rail, place on brackets and attach with: 5/16" Flat and lock washer, 5/16" hex nut. **SEE ILLUSTRATION 5.** Repeat for the opposite side. Leave loose.

4. If you acquired a Oval side bar widesider 4", place on brackets and attach with: 5/16" square head bolt, 5/16" Flat and lock washer. **SEE ILLUSTRATION 6.** Repeat for the opposite side. Leave loose.

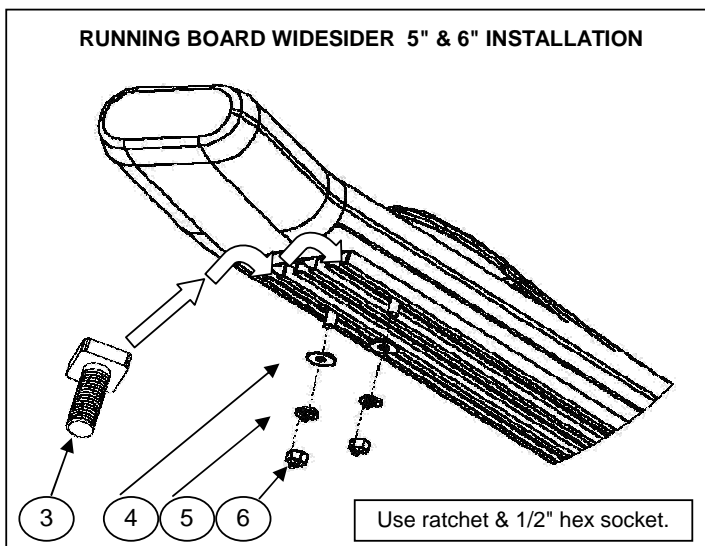
5. Align Running board widesider 5" & 6" or Oval side bar widesider 4" and then tighten all bolts.

6. Do not use abrasive substances to clean your product.

7. Periodically check your product because it may need a re-tighten of bolts.

8. Fill the warranty card and place it inside your vehicle's glove box.

### ILLUSTRATION 5



### ILLUSTRATION 6

