

# GO RHINO JEEP®



**GO RHINO®** 

# GO RHINO FOR JEEP.®

WRANGLER AND WRANGLER UNLIMITED  
2007-2016





**FRONT  
BUMPERS**

6-19

**REAR  
BUMPERS**

20

**LIGHT  
FRAME**

21

**SRM  
RACKS**

22

**SIDE  
STEPS**

24

**APP  
GUIDE**

26

# GO RHINO TOTAL JEEP SOLUTION



**BRJ40 FRONT BUMPER (23100T)**  
**FULL END CAPS (23120T)**  
**ROCKLINE™ PATENTED LIGHT MOUNT BAR (25101T)**  
**EIGHT 3" CUBES WLF WINDSHIELD LIGHT FRAME (738300T)**  
**RB10 RUNNING BOARDS WITH DROP STEPS (6345056820T)**  
**BRJ80 REAR BUMPER WITH FULL END CAPS (27120T)**



**BRJ40 FRONT BUMPER (23100T)**  
**STRAIGHT END CAPS (23115T)**  
**ROADLINE™ PATENTED LIGHT MOUNT BAR (25102T)**  
**30" LIGHT BAR & FOUR 3" CUBES WLF WINDSHIELD LIGHT FRAME (731323T)**  
**RB10 RUNNING BOARDS WITH DROP STEPS (6345056820T)**  
**BRJ80 REAR BUMPER WITH STRAIGHT END CAPS (27115T)**

**BRJ40 FRONT BUMPER (23100T)**  
**FAIRLEAD MOUNTING PLATE (23200T)**  
**STUBBY END CAPS (23110T)**  
**TRAILLINE™ PATENTED LIGHT MOUNT BAR (25103T)**  
**40" LIGHT BAR & TWO 3" CUBES WLF WINDSHIELD LIGHT FRAME (731423T)**  
**DOMINATOR D2 SIDE STEPS (D24505T)**  
**BRJ80 REAR BUMPER WITH STUBBY END CAPS (27110T)**

# JEEP



5



# GO RHINO TOTAL BUMPER SYSTEM

Go Rhino Total Bumper System (TBS) features a center bumper rich in features that can be used with Go Rhino's optional end caps and patented light bar mounts to create 16 custom bumper combinations for the 07-16 Jeep Wrangler and Wrangler Unlimited. 3 different rear bumper styles are available to match the front bumper styles.

- Build your customized Jeep style
- Start with the BRJ40 front bumper center section
- Select from 3 optional styles of end caps
- Select from 3 optional styles of patented light mount bars
- Total of 16 possible bumper combinations
- Multiple lighting options available for end caps and light mount bars (See page 10)
- Match front bumper with 3 different rear bumper styles

## BRJ40 FRONT



Center Only



Stubby End Cap

### Light Mount Bars



Rockline™



Roadline™



Trailline™



Stubby End Cap

## BRJ80 REAR

Straight



# BUMPER

## FRONT BUMPER



Straight End Cap



Full End Cap

### Light Mount Bars



Rockline™



Roadline™



Trailline™



## REAR BUMPER

End Cap



Full End Cap



# BRJ40 FRONT BUMPER

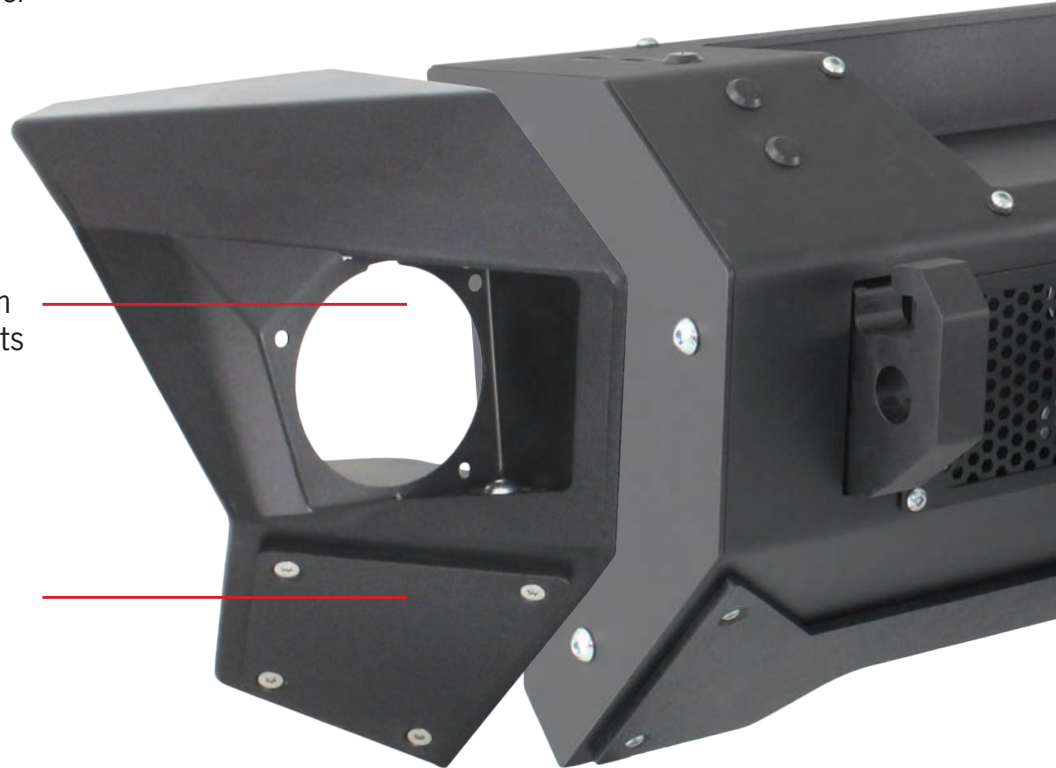
**NEW** patent pending BRJ40 modular front bumpers for the 07-16 Jeep Wrangler and Wrangler Unlimited are fully customizable with a variety of end caps, light mount bar accessories (with patented mesh panel design), and the ability to be used with or without a winch. The 6 point mounting system and no-cut, no-drill installation makes this the easiest Jeep bumper to install.

- Stainless steel hardware
- Bumper made from 3/16" steel and brackets formed are from 1/4" steel
- Bolt-on modular design (Patent Pending) allows for delivery via parcel delivery services
- 1" diameter steel shackle mounts with signature rhino horn design
- Designed with capacity for up to 12,500 lb winches
- 3 optional end caps and 3 optional light mount bars available
- Textured black powder coat finish
- 5-Year Warranty

Removable cover allows future installation of winch

Compatible with factory fog lights

Polymer rub plates protect bumper

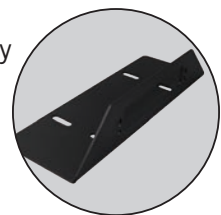






Signature Go Rhino hexagonal pattern

■ Some winches may require fairlead mount (Sold Separately)



Signature rhino horn tow hook and shackle mount (Patent Pending)

Access panels allow for an easier installation

Lockable gear drawer (Patent Pending)

Lock codeable to ignition key



No cutting or vacuum canister relocation required

Recessed drawer handle



# BRJ40 BUMPER LIGHTING SYSTEM

Go Rhino's Bumper Lighting System allows complete customization of light mounting configurations on the Go Rhino BRJ40 Front Bumper. Multiple light mounting options on light mount bars with patented mesh design and end caps allow for diverse lighting variations for any style of lights.

## ROCKLINE™ & ROADLINE™ LIGHT MOUNT BARS

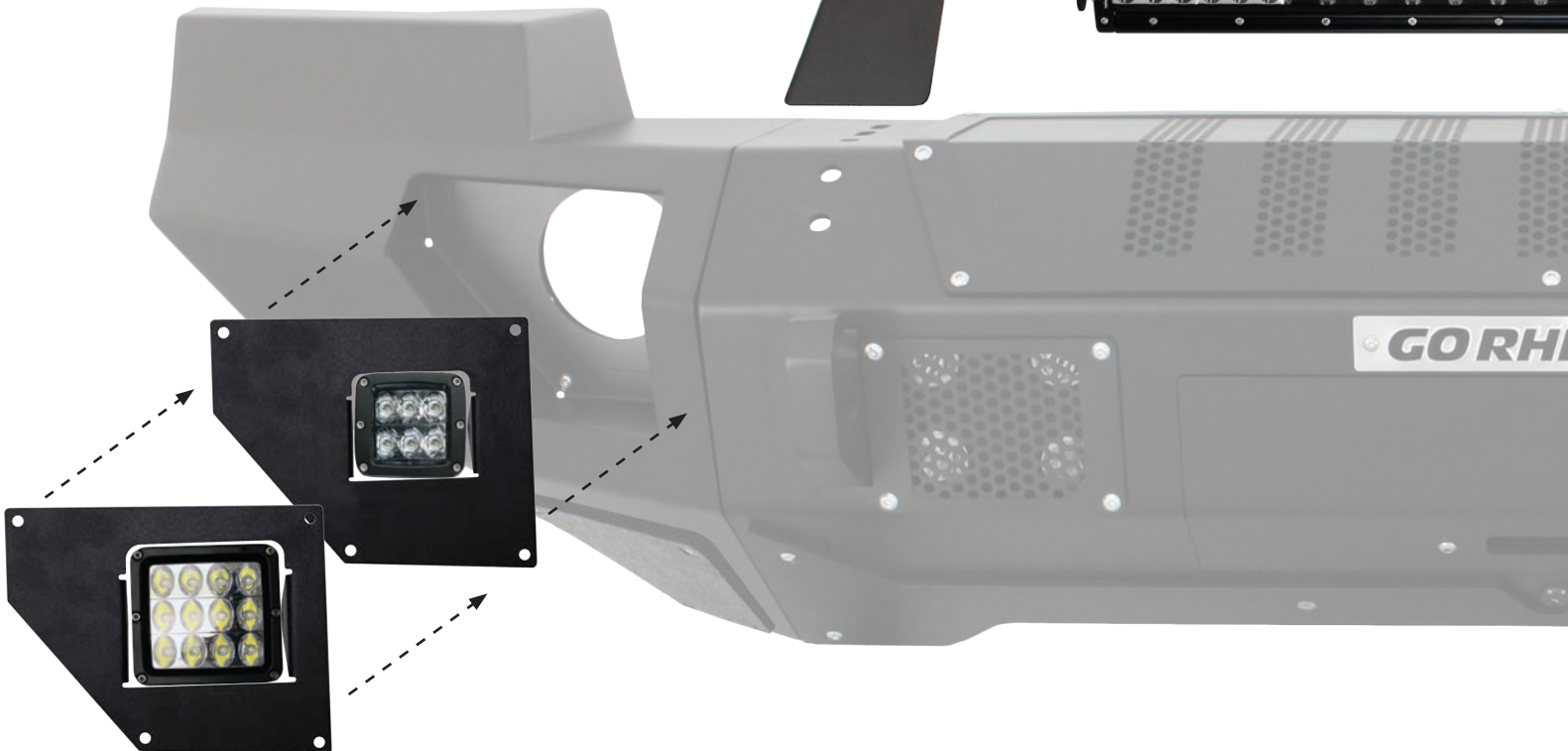
Mount up to 20" LED light bars above, below, or inside light mount bar. The top side also allows for installation of up to four 3" Cube lights.



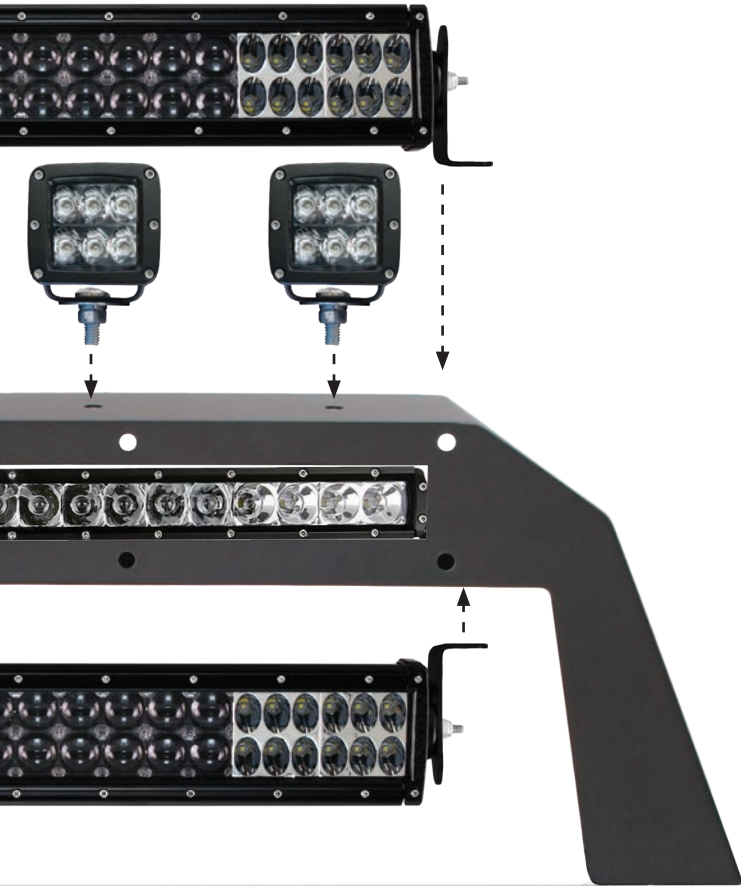
## BRJ40 LIGHT PLATES FOR STRAIGHT & FULL END CAPS

Optional light plates allow installation of 3" Cube or 4" Square LED lights in the BRJ40 Straight or Full End Caps. Light plates are not necessary for LED light installation in Stubby End Caps.

10

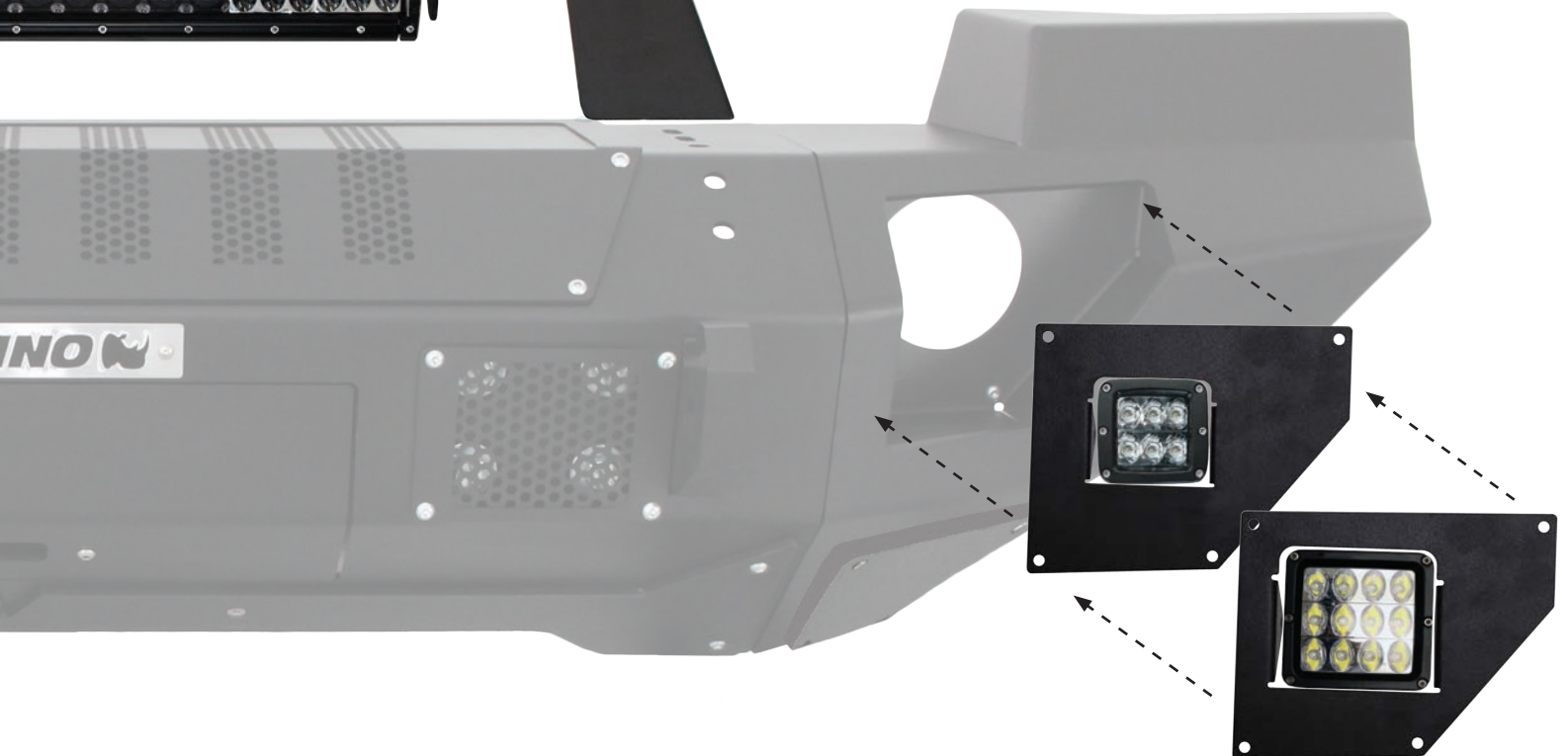


# TRAIL LIGHT



## **TRAILLINE™ LIGHT MOUNT BAR**

Mount up to 10" LED light bars above, below, or inside light mount bar. The top side also allows for installation of up to four 3" Cube lights.



# BRJ40 FRONT BUMPER TOTAL BUMPER SYSTEM

Go Rhino's new BRJ40 Front Bumper is a great fit for the 07-16 Jeep Wrangler and Wrangler Unlimited with or without any of the optional end caps. Your choice of one of three different patented light mount bar accessories allows for complete customization of the BRJ40 bumper.



Bumper Center Part Number: 23100T

## ROCKLINE™ LIGHT MOUNT BAR



Part Number: 230101T

Bumper Center Part Number: 23100T

Rockline™ Light Mount Bar Part Number: 25101T

## ROADLINE™ LIGHT MOUNT BAR



Part Number: 230102T  
Bumper Center Part Number: 23100T  
Roadline™ Light Mount Bar Part Number: 25102T

## TRAILLINE™ LIGHT MOUNT BAR



Part Number: 230103T  
Bumper Center Part Number: 23100T  
Trailline™ Light Mount Bar Part Number: 25103T

# BRJ40 FRONT BUMPER WITH STUBBY END CAPS

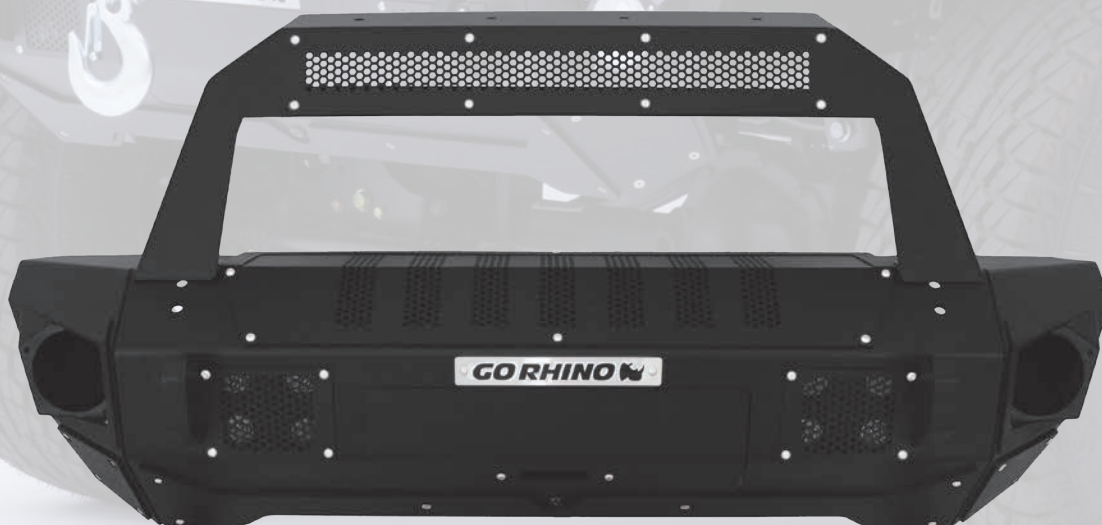
Take your 07-16 Jeep Wrangler or Wrangler Unlimited to the extreme with the Stubby End Caps for the Go Rhino BRJ40 Front Bumper. Adding the featured and patented Trailline™ Light Mount Bar maximizes the aggressive look for weekend warriors and daily drivers alike.



Part Number: 230110T  
Bumper Center Part Number: 23100T  
Stubby End Caps Part Number: 23110T

14

## ROCKLINE™ LIGHT MOUNT BAR



Part Number: 230110101T  
Bumper Center Part Number: 23100T  
Stubby End Caps Part Number: 23110T  
Rockline™ Light Mount Bar Part Number: 25101T

## ROADLINE™ LIGHT MOUNT BAR



Part Number: 230110102T  
Bumper Center Part Number: 23100T  
Stubby End Caps Part Number: 23110T  
Roadline™ Light Mount Bar Part Number: 25102T

## TRAILLINE™ LIGHT MOUNT BAR



Part Number: 230110103T  
Bumper Center Part Number: 23100T  
Stubby End Caps Part Number: 23110T  
Trailline™ Light Mount Bar Part Number: 25103T

# **BRJ40 FRONT BUMPER WITH STRAIGHT END CAPS**

Keep your classic Jeep bumper look with the Straight End Caps for the Go Rhino BRJ40 Front Bumper. This look matches the straight bumper look of the stock bumper and is made for the 07-16 Jeep Wrangler and Wrangler Unlimited.



Part Number: 230115T  
Bumper Center Part Number: 23100T  
Straight End Caps Part Number: 23115T

16

## **ROCKLINE™ LIGHT MOUNT BAR**



Part Number: 230115101T  
Bumper Center Part Number: 23100T  
Straight End Caps Part Number: 23115T  
Patented Roadline™ Light Mount Bar Part Number: 25101T



## ROADLINE™ LIGHT MOUNT BAR



Part Number: 230115102T  
Bumper Center Part Number: 23100T  
Straight End Caps Part Number: 23115T  
Patented Rockline™ Light Mount Bar Part Number: 25102T

## TRAILLINE™ LIGHT MOUNT BAR



Part Number: 230115103T  
Bumper Center Part Number: 23100T  
Straight End Caps Part Number: 23115T  
Patented Trailline™ Light Mount Bar Part Number: 25103T

# **BRJ40 FRONT BUMPER WITH FULL END CAPS**

Go Rhino's BRJ40 Front Bumper equipped with the Full End Caps line up with the 07-16 Jeep Wrangler and Wrangler Unlimited fenders, making it the best option for a full, complete look for the front end.



Part Number: 230120T  
Bumper Center Part Number: 23100T  
Full End Caps Part Number: 23120T

## **ROCKLINE™ LIGHT MOUNT BAR**



Part Number: 230120101T  
Bumper Center Part Number: 23100T  
Full End Caps Part Number: 23120T  
Patented Rockline™ Light Mount Bar Part Number: 25101T

## ROADLINE™ LIGHT MOUNT BAR



Part Number: 230120102T  
Bumper Center Part Number: 23100T  
Full End Caps Part Number: 23120T  
Patented Roadline™ Light Mount Bar Part Number: 25102T

## TRAILLINE™ LIGHT MOUNT BAR



Part Number: 230120103T  
Bumper Center Part Number: 23100T  
Full End Caps Part Number: 23120T  
Patented Trailline™ Light Mount Bar Part Number: 25103T

# BRJ80 REAR BUMPER

The BRJ80 Rear Bumper is part of Go Rhino's customizable Jeep product lines for the 07-16 Jeep Wrangler and Wrangler Unlimited. Three different styles allow enthusiasts to create their own bumpers from Go Rhino that match the styles of the BRJ40 front bumper that conveniently ships via parcel delivery services.

- Allows for installation of 2 additional SR-Q or compatible flush-mount lights
- Bumper made from 3/16" steel
- Compatible with factory hitch
- Stainless steel hardware
- 5-Year Limited Warranty

Matching Go Rhino exhaust tip feature a fast-style design — Fits on factory pipe.

**PART NUMBER**  
GRT21248FB



## BRJ80 REAR BUMPER WITH STUBBY END CAPS



1" diameter steel shackle mounts with signature rhino horn tow hook (Patent Pending)

**PART NUMBER**  
27110T

Mesh vent covers can be replaced with single row flush-mount lights

## BRJ80 REAR BUMPER WITH STRAIGHT END CAPS



1" diameter steel shackle mounts with signature rhino horn tow hook (Patent Pending)

**PART NUMBER**  
27115T

Mesh vent covers can be replaced with single row flush-mount lights

## BRJ80 REAR BUMPER WITH FULL END CAPS



Convenient built-in step in corner

Mesh vent covers can be replaced with single row flush-mount lights

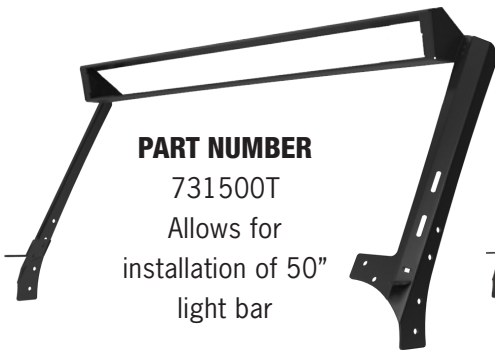
**PART NUMBER**  
27120T

1" diameter steel shackle mounts with signature rhino horn tow hook (Patent Pending)

# WLF WINDSHIELD LIGHT FRAME

The Go Rhino WLF Windshield Light Frame for the 07-16 Jeep Wrangler and Wrangler Unlimited offers a total lighting solution. Only Go Rhino allows you to choose from a broad range of lighting options both across the windshield and on the A-pillar with a product designed for strength, style, and full-frame protection.

- Heavy duty powder-coated uprights mount directly to A-pillar
- Exclusive vertical stacking tabs allow for additional lower lighting options
- 4 different options protect a variety of lights and light bars
- Rubber-isolated mounting system
- Unique side-to-side lateral rack design increases stability and reduces vibration
- Stainless steel hardware
- Easy no-drill installation
- 5-Year Limited Warranty



**PART NUMBER**  
731500T  
Allows for installation of 50" light bar



**PART NUMBER**  
731323T  
Allows for installation of 30" light bar and four 3" cube lights



**PART NUMBER**  
731423T  
Allows for installation of 40" light bar and two 3" cube lights

**PART NUMBER** 738300T Allows for installation of eight 3" cube lights



# SRM100 UNIVERSAL RACK

Go Rhino's new series of roof racks allows a whole new level of customization for virtually any vehicle with optional interchangeable face plates. Both the front and rear face plates are replaceable with 7 different light plate options as well as optional side mounts for 3" cube lights, making the possibilities virtually endless with the SRM100 Rack.

- Modular roof rack comes disassembled and is conveniently shipped via parcel delivery services
- 48" and 60" options for Jeep Wrangler with classic straight design
- Multiple interchangeable front, rear, and side light plates for customization of light configurations (Sold Separately)
- Standard U-bolt mounting hardware included
- Optional alternate mounting kits available
- Rugged textured black powder coat finish
- Stainless steel hardware
- 5-Year Limited Warranty

## PART NUMBER

5914800T - 48" RACK | 5916000T - 60" RACK



22

### 50" Light Bar Mounting Brackets

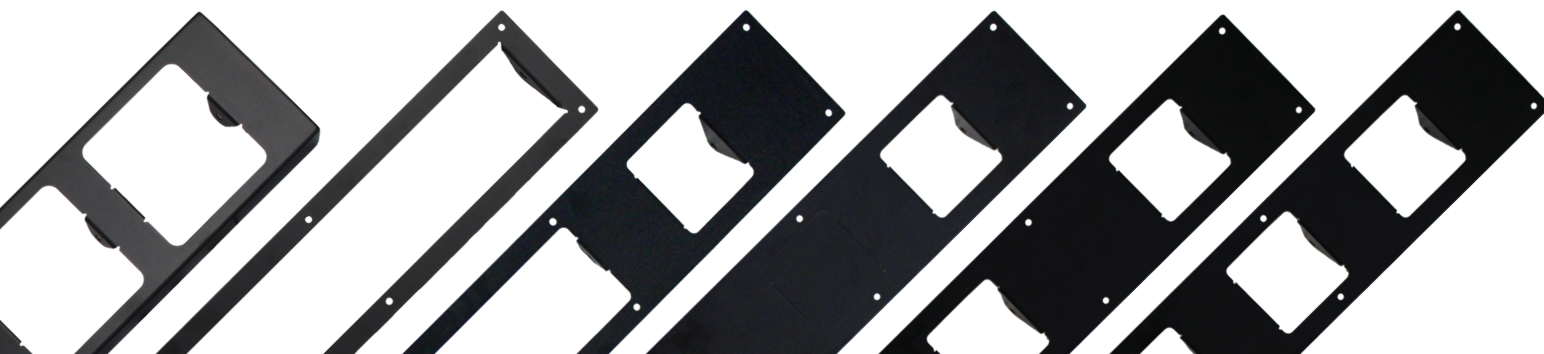
FRONT- 5925001T  
REAR- 5925002T

Replaceable, interchangeable bolt-on front plate

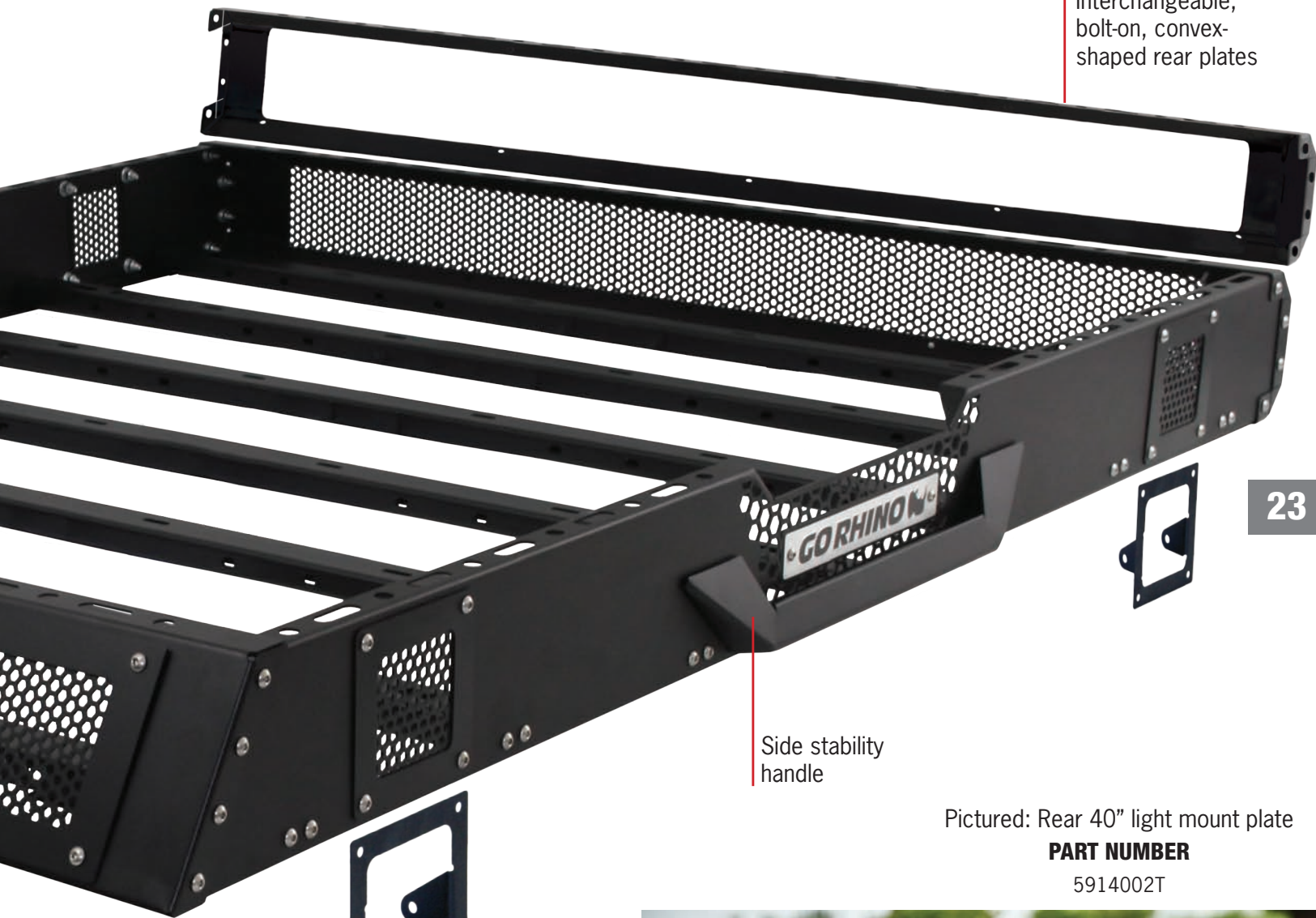
Signature Go Rhino hexagonal mesh panel

### FRONT & REAR LIGHT MOUNT PLATE PART NUMBERS

<u>Six 6" Q-Style Lights</u>	<u>40" Light Bar</u>	<u>20" Light Bar &amp; Two 3" Cubes</u>	<u>Two 3" Cubes</u>	<u>Four 3" Cubes</u>	<u>Six 3" Cubes</u>
FRONT- 5967001T REAR- 5967002T	FRONT- 5914001T REAR- 5914002T	FRONT- 5912231T REAR- 5912232T	FRONT- 5923001T REAR- 5923002T	FRONT- 5943001T REAR- 5943002T	FRONT- 5963001T REAR- 5963002T



# O RACK



Interchangeable, bolt-on, convex-shaped rear plates

Side stability handle

23

Pictured: Rear 40" light mount plate

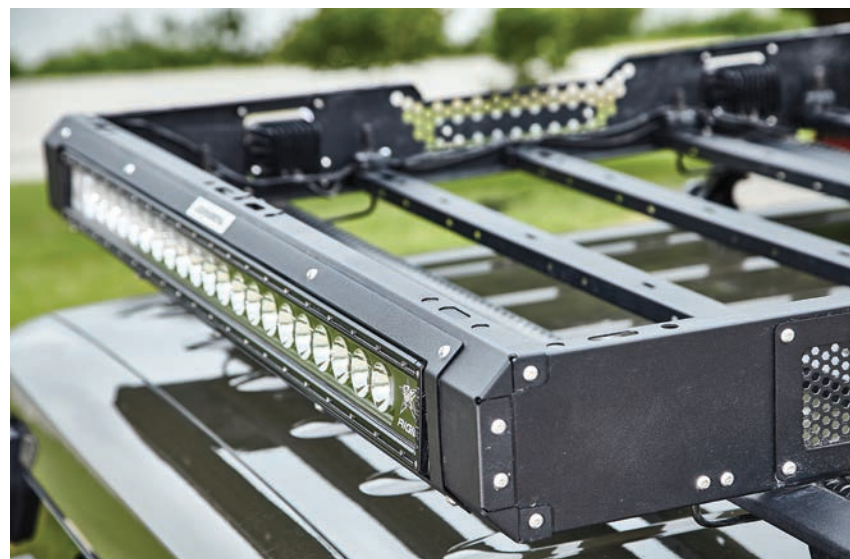
**PART NUMBER**

5914002T

Four Side Plate Set for 3" cube lights

**PART NUMBER**

5943003T



# RB10 RUNNING BOARDS

Go Rhino RB10 Running Boards protect your paint from flying stones and gravel while offering a wide, full-length platform for an easy step up to the driver and passenger doors of the 07-16 Jeep Wrangler and Wrangler Unlimited. The new optional bolt-on drop step accessory allows even easier entry to taller & lifted vehicles.

- Wheel-to-wheel body protection from road debris
- Wide non-slip step surface for easy, safe entry and exit
- Constructed of zinc-coated corrosion-resistant steel
- Finished with a tough and durable textured UV-stable copolymer
- Optional drop step (Patent Pending) provides a stepping surface 4" below RB10 Running Board
- Includes all needed hardware for a simple no-drill installation
- Now available for both 2 and 4-door vehicles
- 5-Year Limited Warranty

## PART NUMBER

63450568T - 4 DOOR

63492648T - 2 DOOR



## OPTIONAL DROP STEPS (PATENT PENDING)

Optional Drop Steps are sold in pairs and provide an extra 4" drop below the RB10 running board for easier entry into the cab.

## PART NUMBER

63410000T





# DOMINATOR D2 HOOP STEPS

Dominator D2 hoop steps are wheel-to-wheel steps built tough enough to take a beating. Constructed from high strength round steel tubing with strategically positioned drop steps under each door, these heavy-duty bars offer a safe step in all kinds of conditions for the 07-16 Jeep Wrangler and Wrangler Unlimited.

- Drop down hoops provide step-up assist 2" below main bar for driver and passengers to easily access the Jeep cab
- Punched steel step pads provide extra grip in wet, muddy and snowy conditions
- Now available for both 2 and 4-door vehicles
- Available in textured black powder coat or polished stainless finish
- 5-year Warranty for textured black powder coat finish
- Limited Lifetime Warranty for polished stainless finish



## PART NUMBER

D24505T - 4 DOOR TEXTURED BLACK  
D24505PS - 4 DOOR POLISHED STAINLESS  
D24926T - 2 DOOR TEXTURED BLACK  
D24926PS - 2 DOOR POLISHED STAINLESS

25



# JEEP APPLICATION GUIDE

## PRODUCTS FOR 2007-2016 JEEP WRANGLER (JK & JKU)

## PART NUMBER

### BRJ40 FRONT BUMPER

BRJ40 Front Winch Bumper (Center Only)	23100T
BRJ40 Front Bumper Bolt-On End Cap (Stubby)	23110T
BRJ40 Front Bumper Bolt-On End Cap (Straight)	23115T
BRJ40 Front Bumper Bolt-On End Cap (Full)	23120T
BRJ40 Front Bumper Light Mount Bar (Rockline™)	25101T
BRJ40 Front Bumper Light Mount Bar (Roadline™)	25102T
BRJ40 Front Bumper Light Mount Bar (Trailline™)	25103T
BRJ40 Front Bumper - Complete Kit: Center and Rockline™ Light Mount Bar	230101T
BRJ40 Front Bumper - Complete Kit: Center and Roadline™ Light Mount Bar	230102T
BRJ40 Front Bumper - Complete Kit: Center and Trailline™ Light Mount Bar	230103T
BRJ40 Front Bumper - Complete Kit: Center and Stubby End Cap	230110T
BRJ40 Front Bumper - Complete Kit: Center, Stubby End Cap and Rockline™ Light Mount Bar	230110101T
BRJ40 Front Bumper - Complete Kit: Center, Stubby End Cap and Roadline™ Light Mount Bar	230110102T
BRJ40 Front Bumper - Complete Kit: Center, Stubby End Cap and Trailline™ Light Mount Bar	230110103T
BRJ40 Front Bumper - Complete Kit: Center and Straight End Cap	230115T
BRJ40 Front Bumper - Complete Kit: Center, Straight End Cap and Rockline™ Light Mount Bar	230115101T
BRJ40 Front Bumper - Complete Kit: Center, Straight End Cap and Roadline™ Light Mount Bar	230115102T
BRJ40 Front Bumper - Complete Kit: Center, Straight End Cap and Trailline™ Light Mount Bar	230115103T
BRJ40 Front Bumper - Complete Kit: Center and Full End Cap	230120T
BRJ40 Front Bumper - Complete Kit: Center, Full End Cap and Rockline™ Light Mount Bar	230120101T
BRJ40 Front Bumper - Complete Kit: Center, Full End Cap and Roadline™ Light Mount Bar	230120102T
BRJ40 Front Bumper - Complete Kit: Center, Full End Cap and Trailline™ Light Mount Bar	230120103T
BRJ40 Light Plates for 3" Cube Lights for Straight End Cap	231151T
BRJ40 Light Plates for 4" Square Lights for Straight End Cap	231152T
BRJ40 Light Plates for 3" Cube Lights for Full End Cap	231201T
BRJ40 Light Plates for 4" Square Lights for Full End Cap	231202T
BRJ40 Front Bumper & Stubby End Cap Replacement Rub Plate Kit	23210
BRJ40 Front Bumper & Straight End Cap Replacement Rub Plate Kit	23215
BRJ40 Front Bumper & Full End Cap Replacement Rub Plate Kit	23220
BRJ40 Front Bumper Winch Fairlead Mount	23200T

### BRJ80 REAR BUMPER

BRJ80 Rear Bumper - Complete Kit: Center and Stubby End Cap	27110T
BRJ80 Rear Bumper - Complete Kit: Center and Straight End Cap	27115T
BRJ80 Rear Bumper - Complete Kit: Center and Full End Cap	27120T

### WLF WINDSHIELD LIGHT FRAME

WLF Windshield Light Frame - Eight 3" Cube Lights	738300T
WLF Windshield Light Frame - 30" Light Bar & Four 3" Cube Lights	731323T
WLF Windshield Light Frame - 40" Light Bar & Two 3" Cube Lights	731423T
WLF Windshield Light Frame - 50" Light Bar	731500T

## PRODUCTS FOR 2007-2016 JEEP WRANGLER (JK & JKU)

## PART NUMBER

### SRM100 RACK

SRM100 48" Rack	5914800T
SRM100 60" Rack	5916000T
SRM100 Front Plate - Two 3" Cube Lights	5923001T
SRM100 Rear Plate - Two 3" Cube Lights	5923002T
SRM100 Front Plate - Four 3" Cube Lights	5943001T
SRM100 Rear Plate - Four 3" Cube Lights	5943002T
SRM100 Front Plate - Six 3" Cube Lights	5963001T
SRM100 Rear Plate - Six 3" Cube Lights	5963002T
SRM100 Front Plate - 20" Light Bar & Two 3" Cube Lights	5912231T
SRM100 Rear Plate - 20" Light Bar & Two 3" Cube Lights	5912232T
SRM100 Front Mounting Kit - Up to two 50" Light Bars	5925001T
SRM100 Rear Mounting Kit - Up to two 50" Light Bars	5925002T
SRM100 Front Plate - 40" Light Bar	5914001T
SRM100 Rear Plate - 40" Light Bar	5914002T
SRM100 Front Pod Mounting Kit - Six 6" Q-Style Lights	5967001T
SRM100 Rear Pod Mounting Kit - Six 6" Q-Style Lights	5967002T
SRM100 Side Plates - Four 3" Cube Lights	5943003T

### SRM RACK MOUNTING KITS

SRM Rack Universal, Adjustable Multi-Axis Mounting Kit	5910000T
SRM Rack Jeep Wrangler JK Rain Channel Mounting Kit	5912000T

### RB10 RUNNING BOARDS

RB10 Running Boards (For 4 Door Jeep Wrangler Unlimited)	63450568T
RB10 Running Boards (For 2 Door Jeep Wrangler)	63492648T
Pair of RB10 Drop Steps	63410000T
RB10 Running Boards (For 4 Door Jeep Wrangler Unlimited) & 2 pairs of RB10 Drop Steps	6345056820T
RB10 Running Boards (For 2 Door Jeep Wrangler) & 1 Pair of RB10 Drop Steps	6349264810T

### DOMINATOR D2 SIDE STEPS

Textured Black Dominator D2 Side Steps (For 4 Door Jeep Wrangler Unlimited)	D24505T
Polished Stainless Dominator D2 Side Steps (For 4 Door Jeep Wrangler Unlimited)	D24505PS
Textured Black Dominator D2 Side Steps (For 2 Door Jeep Wrangler)	D24926T
Polished Stainless Dominator D2 Side Steps (For 2 Door Jeep Wrangler)	D24926PS

### EXHAUST TIPS

Black Exhaust Tip (8" Length, 2.5" Inside Diameter, 4" Outside Diameter)	GRT21248FB
--	------------

All instruction sheets are available online at [gorhino.com/instructions](http://gorhino.com/instructions).

All products are shippable through parcel delivery services.



**GORRHINO** 

