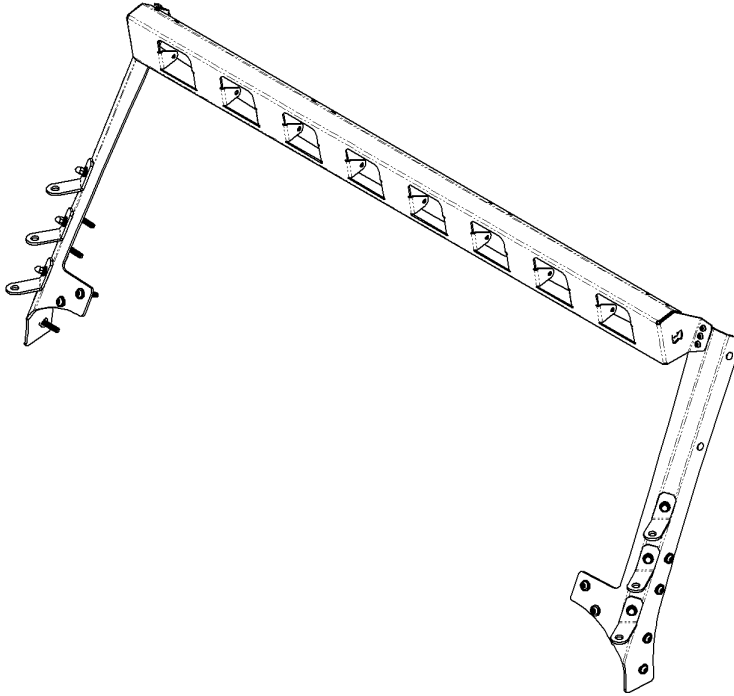




INSTALLATION INSTRUCTIONS



PART NO.

- 738300T
- 731323T
- 731423T
- 731500T

PRODUCT DESCRIPTION:

- [LF WINDSHIELD LIGHT FRAME](#)

PRODUCT SAFETY & LEGAL DISCLAIMER

- **IMPORTANT READ ALL INSTRUCTIONS CAREFULLY BEFORE INSTALLING, FAILURE TO DO SO MAY CAUSE PERSONAL INJURY OR DAMAGE TO PRODUCT AND/OR PROPERTY.**
- **Review the product package and contents prior to beginning the installation.** Take care when opening the packaging and removing items. If a return is needed you will want to return the product in its original packaging if possible.
- This instruction guide is provided as a GENERAL installation guide, some vehicles vary dimensionally and may require additional steps.
- Test fit the product on the vehicle prior to any third party modifications and or finishing. The manufacturer and/or distributors do not accept responsibility for third party charges, labor and or third part replacement modifications. Some modifications may void the factory warranty.
- Exercise due-diligence when installing this product. The manufacturer and distributors of this product do not accept any responsibility for vehicle damage or personal injury resulting from the installation of this product. Careless installation and operation can result in serious injury or equipment damage.
- This product is for general off-road use. All liability for installation and use rests with the owner/operator.
- **INSTALLER:** Once installation is complete, please return this guide along with other documentation included in this product back to the consumer for future reference. The manufacturer/distributors of this product do not guarantee this particular version will be available at a later date.



INSTALLATION INSTRUCTIONS

INJURY HAZARD

Please complete a shop and tool inspection prior to beginning the installation.

- Always make sure you have a clean, dry and well lit work area.
- Always remove jewelry, loose fitting clothing and wear protective gloves and eye protection.
- Always use extreme caution when jacking or raising a vehicle for work. Set the emergency brake and use tire/wheel blocks and jack stands. Refer to the vehicle manufacturer hand book. Utilize the vehicle manufacturers designated lifting points.
- Always use appropriate and adequate care in lifting parts during disassembly and installation. Seek help in lifting heavy or large items into place. Utilize jacks and or lifting devices when available.
- Always insure products are secure during disassembly and installation.
- Always wear eye protection and take steps to protect any exposed skin during the installations. Drilling, cutting and grinding plastic and metal may create flying particles that can cause injury.
- Always use extreme caution when drilling, cutting and or grinding on a vehicle. Thoroughly inspect the area to be drilled, on both sides of material, prior to modification and relocate any objects that may become damaged.
- Always assemble and tighten all fasteners per the installation instructions.
- Always route electrical cables carefully. Avoid moving parts, parts that may become hot and rough or sharp edges.
- Always insulate and protect all exposed wiring and electrical connections.

MAINTENANCE AND CARE

- Always perform regular inspections and maintenance on mounts and related fasteners.
- Periodically check and tighten all fasteners.
- Stripped, fractured, or bent fasteners must be replaced.
- After washing the vehicle make sure to fully dry all surfaces.
- In areas with cold temperatures make sure to wash the product often to remove harmful materials used on road ways.
- Never use abrasive cleaners or polish compounds. Clean with a gentle soap and water. If you use wax use a non-abrasive automotive wax such as pure carnauba wax.

WARNING

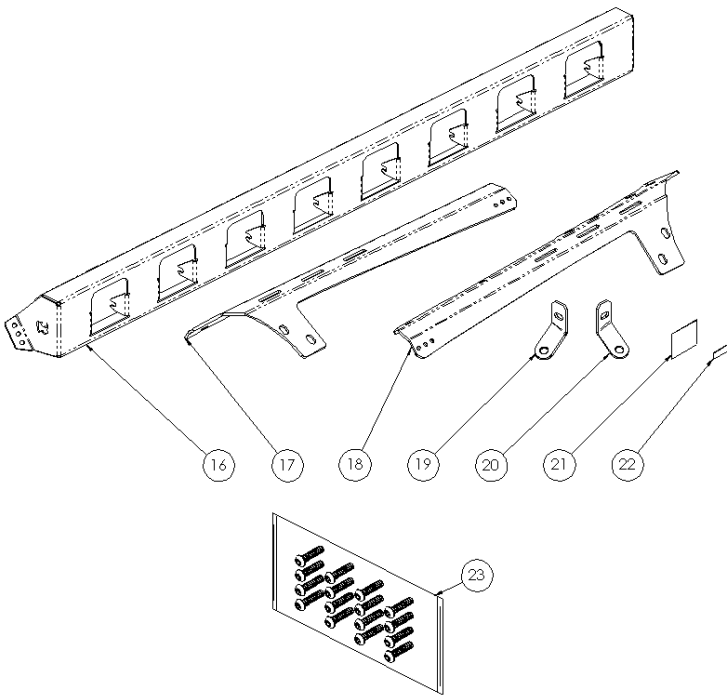
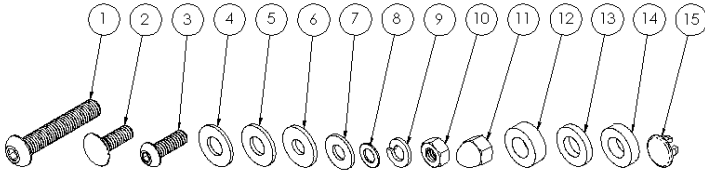
Some products have been designed to work together with factory rear sensor systems, factory forward facing sensor systems and factory air bags.

- Installation of some of these products may alter the factory sensor system performance.
- Factory sensors may read shackles or hooks protruding from the fairlead and or tow hooks.
- All sensor testing is completed by Go Rhino Products and or third party testing labs on modified vehicles.
- Sensor sensitivity, factory sensor housing, orientation, and operating conditions are all variables that will influence functionality of the sensors.
- Installation of some product may effect the factory air bag systems.
- Some products allow the use of third party products such as winches, shackles, hooks, etc. Follow the respective manufacturers operating instructions for use with our products.
- Make sure to fully understand the product, it's intended use and operation prior to use.
- Above all... be safe!

GO RHINO®

INSTALLATION INSTRUCTIONS

PARTS INCLUDED IN THIS LIST:



23	1	DUALLY MOUNTING HARDWARE KIT
22	4	DOUBLE SIDED TAPE
21	2	LOGO PLATE
20	3	DRIVER SIDE LIGHT BRACKET
19	3	PASSENGER SIDE LIGHT BRACKET
18	1	DRIVER SIDE LIGHT FRAME
17	1	PASSENGER SIDES LIGHT FRAME
16	1	LIGHT PLATE - 8 DUALYS
15	4	HOLE PLUG
14	6	3/16" THICK RUBBER SPACER
13	4	1/8" THICK RUBBER SPACER
12	2	1/4" THICK RUBBER SPACER
11	6	1/4"-20 ACORN CAP NUT
10	6	1/4"-20 HEX NUT
9	12	1/4" SPLIT LOCK WASHER
8	12	1/4" PLASTIC WASHER - SMALL
7	12	1/4" FLAT WASHER
6	6	1/4" PLASTIC WASHER - LARGE
5	12	5/16" PLASTIC WASHER
4	12	5/16" FLAT WASHER
3	6	1/4"-20 x 3/4" BUTTON HEAD SCREW
2	6	1/4"-20 x 3/4" LONG CARRIAGE BOLT
1	12	MB x 45MM LONG BUTTON HEAD SCREW
ITEM	QUANTITY	DESCRIPTION
738300T LIGHT FRAME 8 DUALYS		

23	1	DUALLY MOUNTING HARDWARE KIT
22	4	DOUBLE SIDED TAPE
21	2	LOGO PLATE
20	3	DRIVER SIDE LIGHT BRACKET
19	3	PASSENGER SIDE LIGHT BRACKET
18	1	DRIVER SIDE LIGHT FRAME
17	1	PASSENGER SIDES LIGHT FRAME
16	1	LIGHT PLATE - 30" E2 & 4 DUALYS
15	4	HOLE PLUG
14	6	3/16" THICK RUBBER SPACER
13	4	1/8" THICK RUBBER SPACER
12	2	1/4" THICK RUBBER SPACER
11	6	1/4"-20 ACORN CAP NUT
10	6	1/4"-20 HEX NUT
9	12	1/4" SPLIT LOCK WASHER
8	12	1/4" PLASTIC WASHER - SMALL
7	12	1/4" FLAT WASHER
6	6	1/4" PLASTIC WASHER - LARGE
5	12	5/16" PLASTIC WASHER
4	12	5/16" FLAT WASHER
3	6	1/4"-20 x 3/4" BUTTON HEAD SCREW
2	6	1/4"-20 x 3/4" LONG CARRIAGE BOLT
1	12	MB x 45MM LONG BUTTON HEAD SCREW
ITEM	QUANTITY	DESCRIPTION
731323T LIGHT FRAME 30" E2 & 4 DUALYS		

23	1	DUALLY MOUNTING HARDWARE KIT
22	4	DOUBLE SIDED TAPE
21	2	LOGO PLATE
20	3	DRIVER SIDE LIGHT BRACKET
19	3	PASSENGER SIDE LIGHT BRACKET
18	1	DRIVER SIDE LIGHT FRAME
17	1	PASSENGER SIDES LIGHT FRAME
16	1	LIGHT PLATE - 40" E2 & 2 DUALYS
15	4	HOLE PLUG
14	6	3/16" THICK RUBBER SPACER
13	4	1/8" THICK RUBBER SPACER
12	2	1/4" THICK RUBBER SPACER
11	6	1/4"-20 ACORN CAP NUT
10	6	1/4"-20 HEX NUT
9	12	1/4" SPLIT LOCK WASHER
8	12	1/4" PLASTIC WASHER - SMALL
7	12	1/4" FLAT WASHER
6	6	1/4" PLASTIC WASHER - LARGE
5	12	5/16" PLASTIC WASHER
4	12	5/16" FLAT WASHER
3	6	1/4"-20 x 3/4" BUTTON HEAD SCREW
2	6	1/4"-20 x 3/4" LONG CARRIAGE BOLT
1	12	MB x 45MM LONG BUTTON HEAD SCREW
ITEM	QUANTITY	DESCRIPTION
731423T LIGHT FRAME 40" E2 & 2 DUALYS		

22	4	DOUBLE SIDED TAPE
21	2	LOGO PLATE
20	3	DRIVER SIDE LIGHT BRACKET
19	3	PASSENGER SIDE LIGHT BRACKET
18	1	DRIVER SIDE LIGHT FRAME
17	1	PASSENGER SIDES LIGHT FRAME
16	1	LIGHT PLATE - 50" E2
15	4	HOLE PLUG
14	6	3/16" THICK RUBBER SPACER
13	4	1/8" THICK RUBBER SPACER
12	2	1/4" THICK RUBBER SPACER
11	6	1/4"-20 ACORN CAP NUT
10	6	1/4"-20 HEX NUT
9	12	1/4" SPLIT LOCK WASHER
8	12	1/4" PLASTIC WASHER - SMALL
7	12	1/4" FLAT WASHER
6	6	1/4" PLASTIC WASHER - LARGE
5	12	5/16" PLASTIC WASHER
4	12	5/16" FLAT WASHER
3	6	1/4"-20 x 3/4" BUTTON HEAD SCREW
2	6	1/4"-20 x 3/4" LONG CARRIAGE BOLT
1	12	MB x 45MM LONG BUTTON HEAD SCREW
ITEM	QUANTITY	DESCRIPTION
731500T LIGHT FRAME 50" E2		

Go Rhino recommends you, the installer, read this installation instruction manual from front to back before installing the product.

TOOLS NEEDED FOR INSTALLATION:

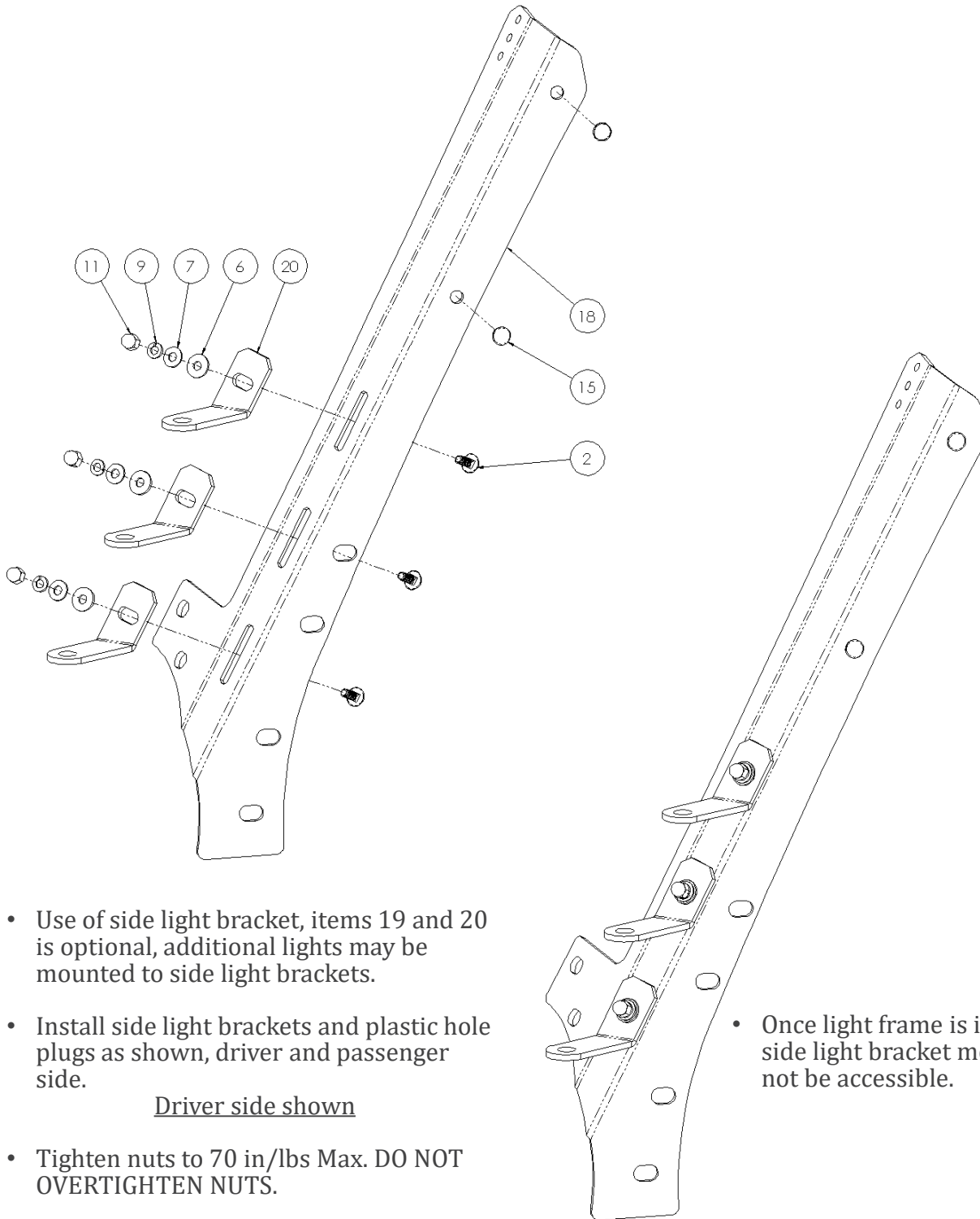
- 4mm Hex Driver
- 5mm Hex Driver
- 5/32" Hex Driver
- T40 Torx Driver
- 7/16" Drive Socket or Wrench

ESTIMATED TIME FOR INSTALLATION:

1 Hour

GO RHINO®

INSTALLATION INSTRUCTIONS



- Use of side light bracket, items 19 and 20 is optional, additional lights may be mounted to side light brackets.

- Install side light brackets and plastic hole plugs as shown, driver and passenger side.

Driver side shown

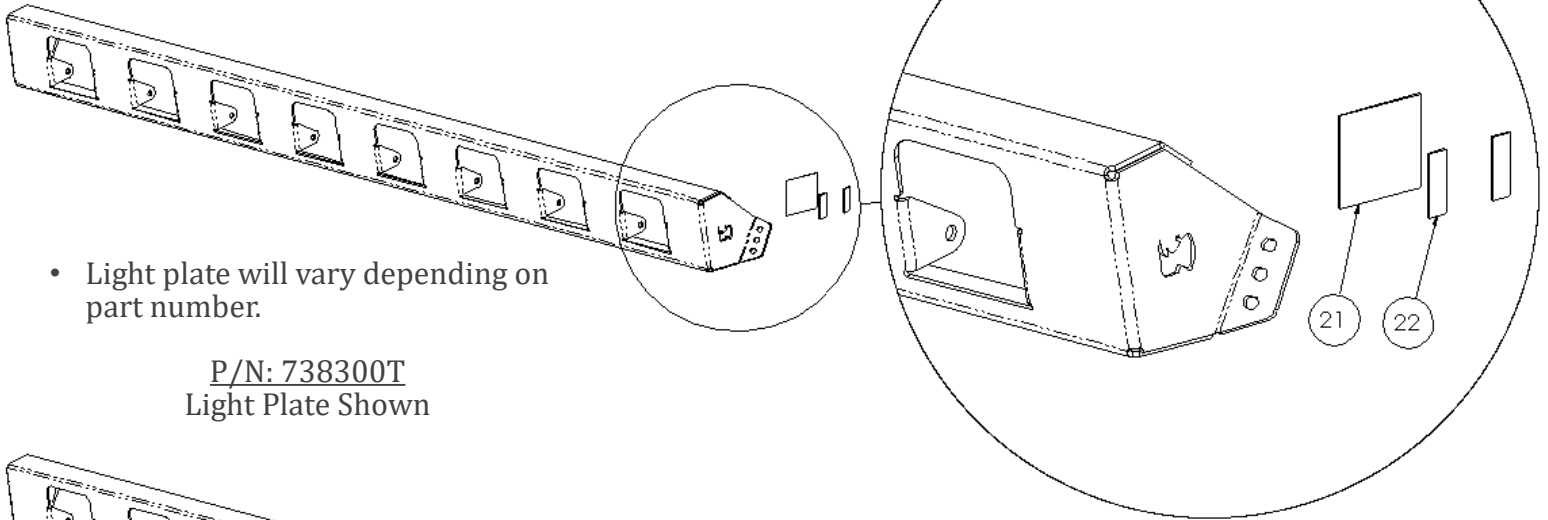
- Tighten nuts to 70 in/lbs Max. DO NOT OVERTIGHTEN NUTS.

- Once light frame is installed onto vehicle, side light bracket mounting hardware will not be accessible.

GORRHINO®

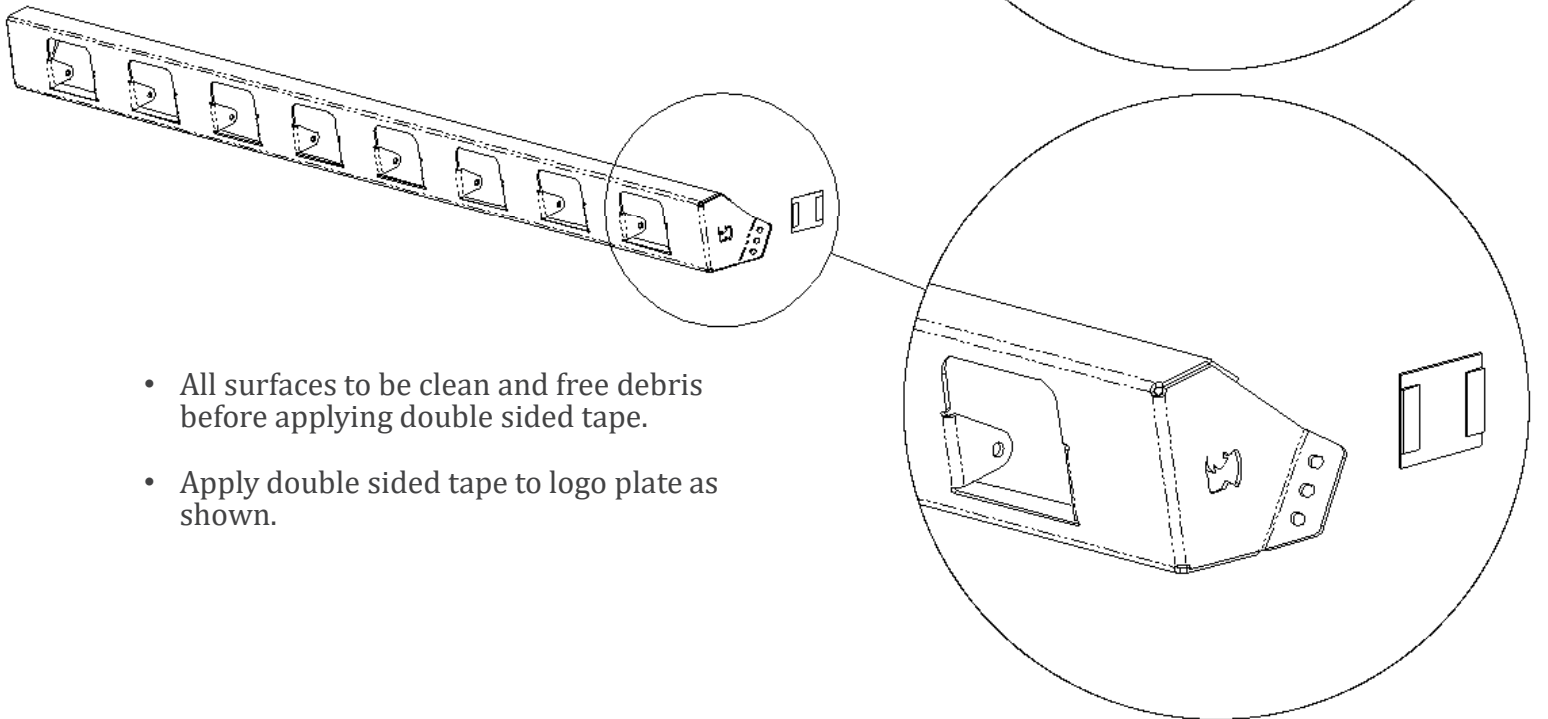
INSTALLATION INSTRUCTIONS

STEP # 2



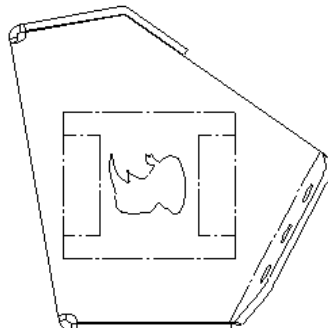
- Light plate will vary depending on part number.

P/N: 738300T
Light Plate Shown



- All surfaces to be clean and free debris before applying double sided tape.
- Apply double sided tape to logo plate as shown.

- Attach logo plate to inside of light bracket in area shown, both sides.

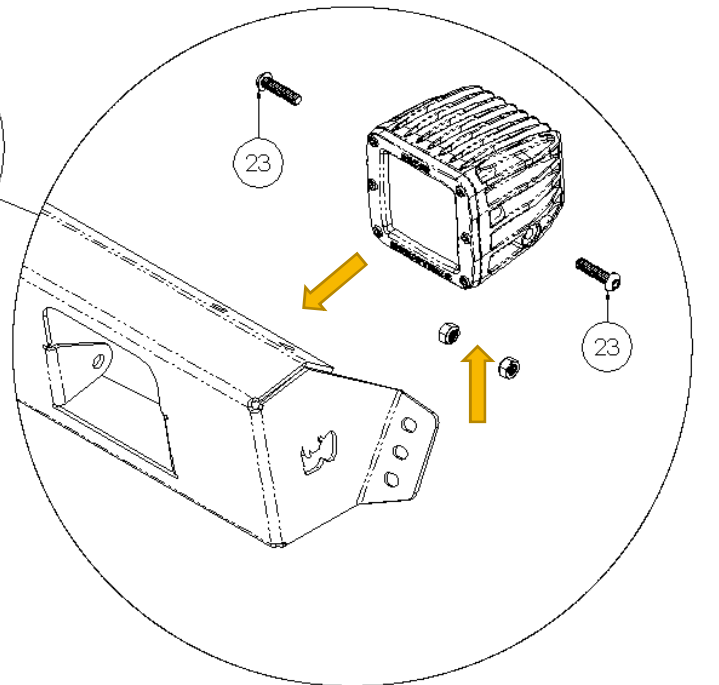
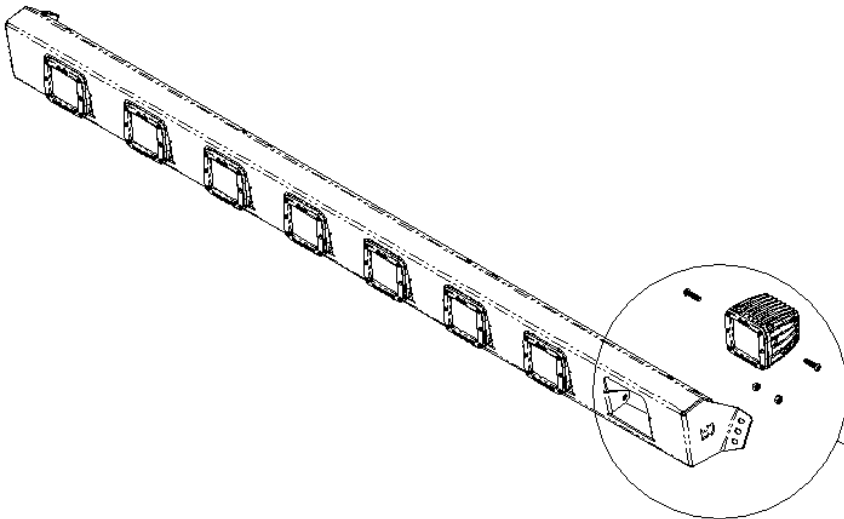
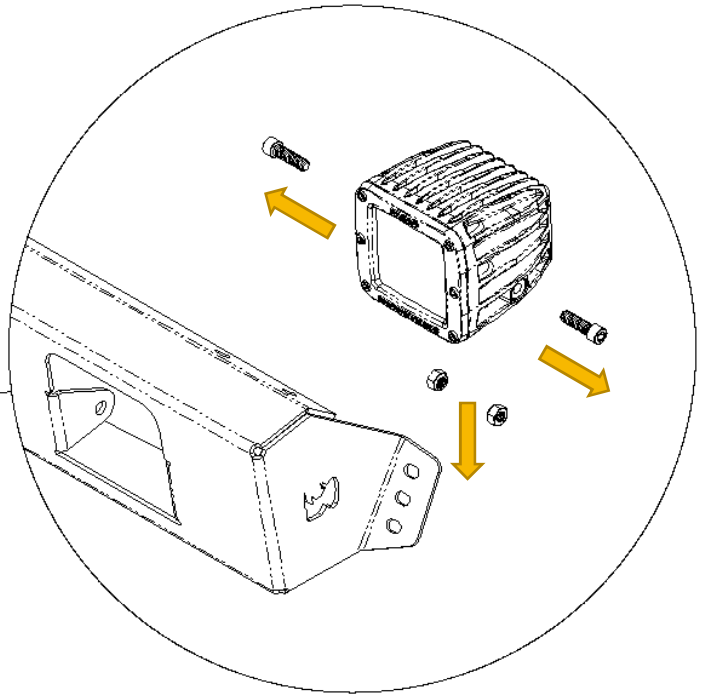
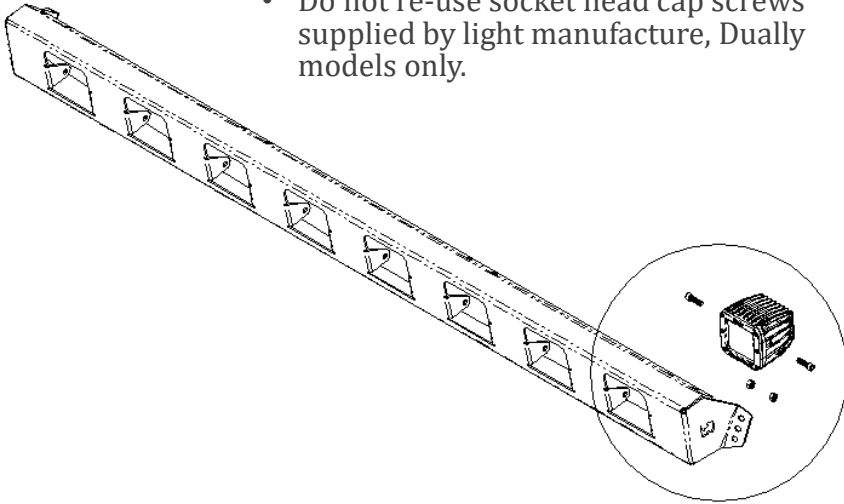


GORRHINO®

INSTALLATION INSTRUCTIONS

STEP # 3

- Remove hardware included with light.
- Do not re-use socket head cap screws supplied by light manufacture, Dually models only.

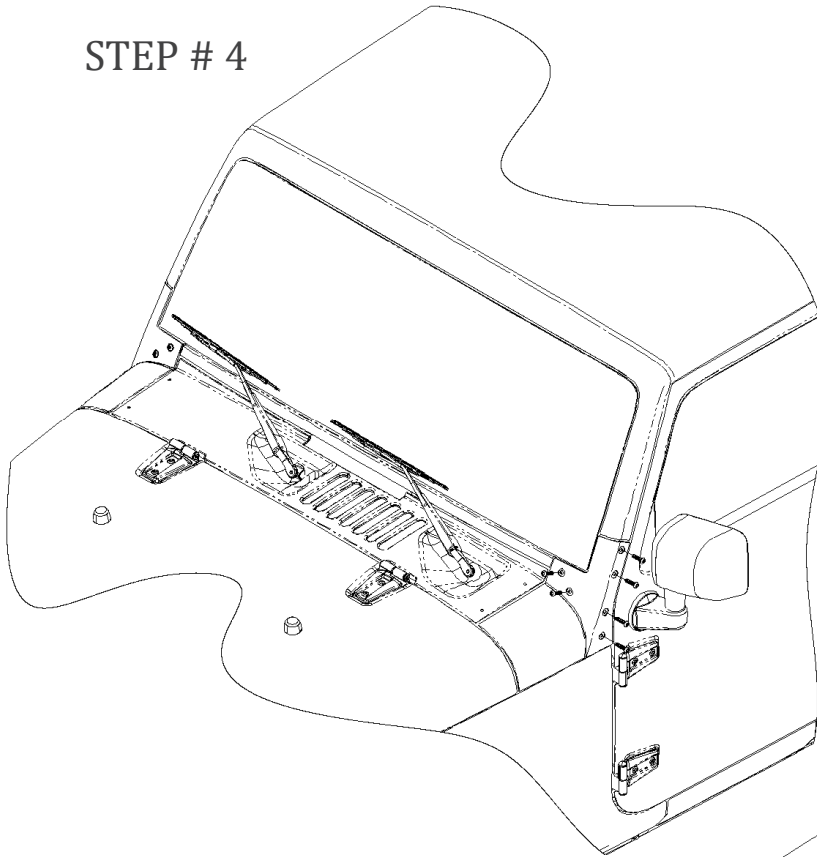


- Install lights using M6 x 25mm long button head screw supplied.
- Use 4mm hex driver to install light screws.
- Install all screws.
- Tighten screws to 70 in/lbs Max. DO NOT OVERTIGHTEN SCREWS.

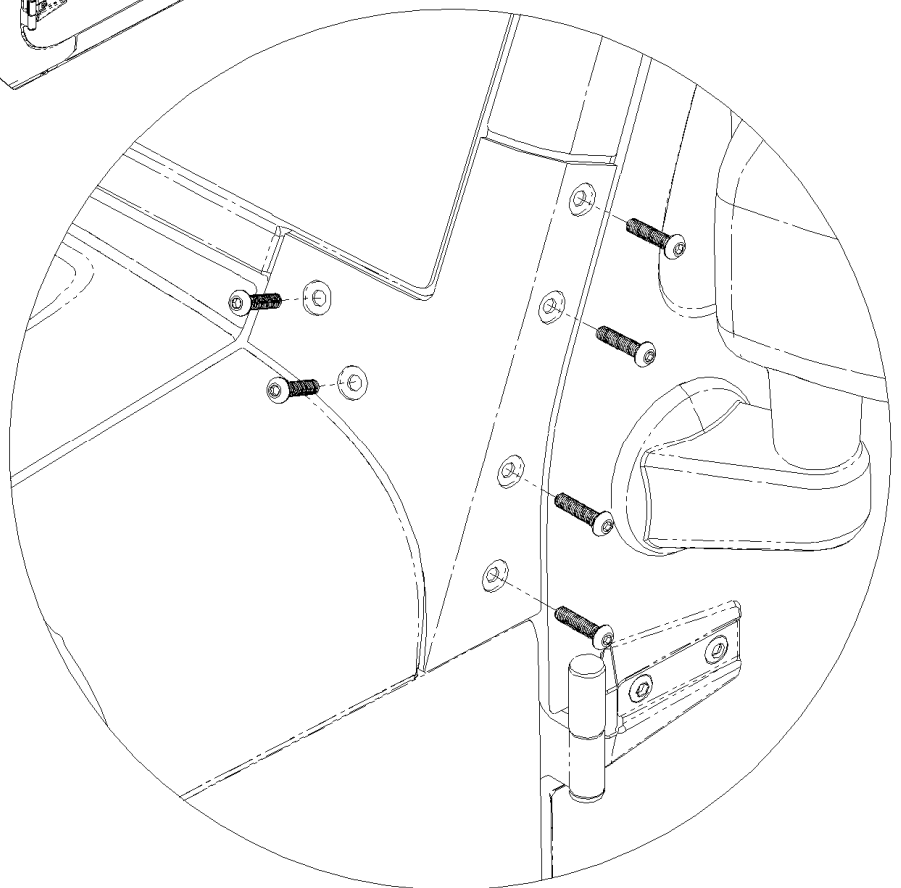
GO RHINO®

INSTALLATION INSTRUCTIONS

STEP # 4



- Use precaution when completing the following steps as windshield bracket will be loose and may fall.
- Remove Windshield bracket screws.
- Complete assembly of driver side before removing passenger side bracket screws.
- Do not re-use manufacture screws.

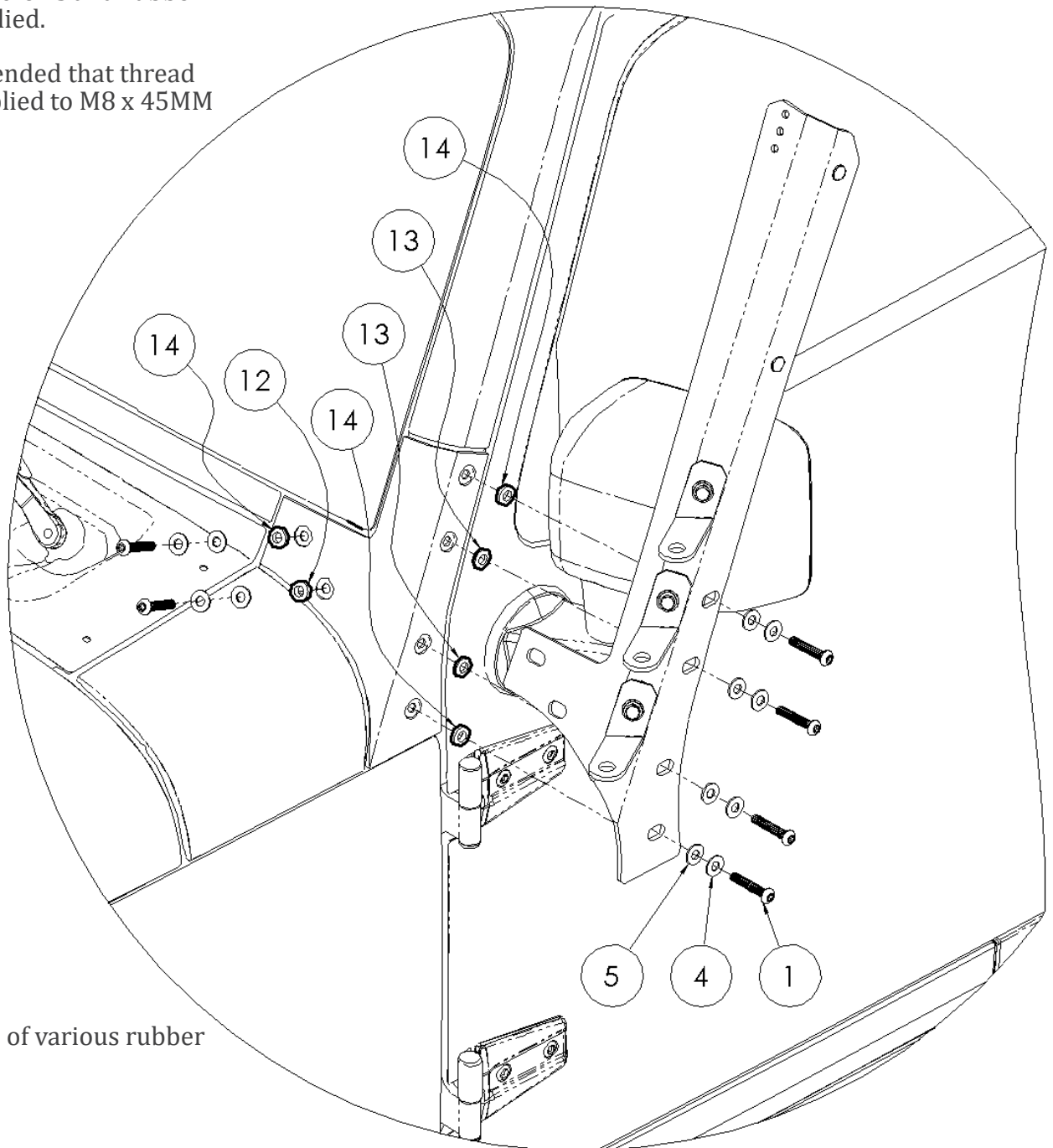


GORRHINO®

INSTALLATION INSTRUCTIONS

STEP # 5

- Install light frame brackets with M8 x 45MM screws and rubber spacers supplied.
- It is recommended that thread locker be applied to M8 x 45MM screws.

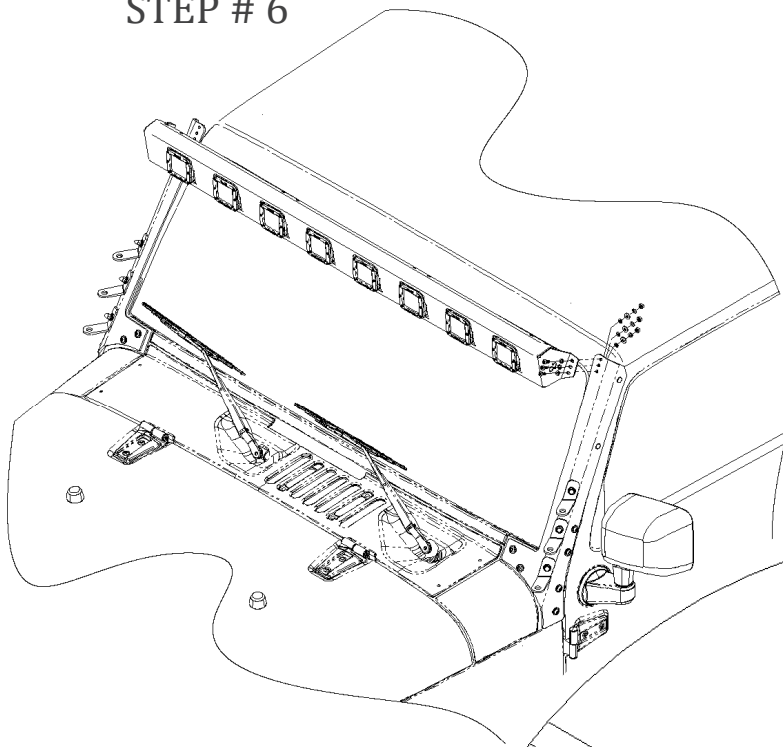


- Note location of various rubber washers.

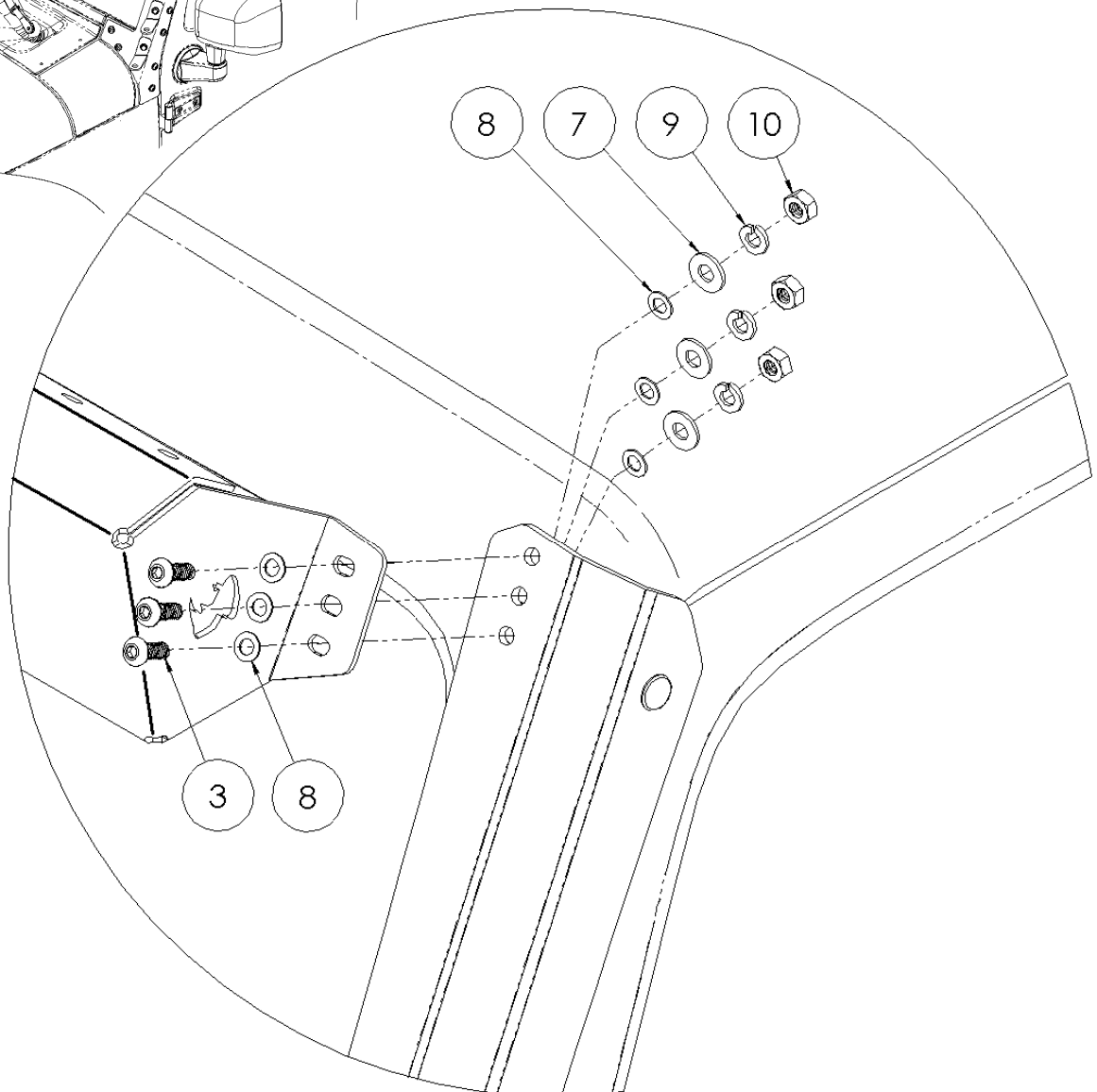
GORRHINO®

INSTALLATION INSTRUCTIONS

STEP # 6



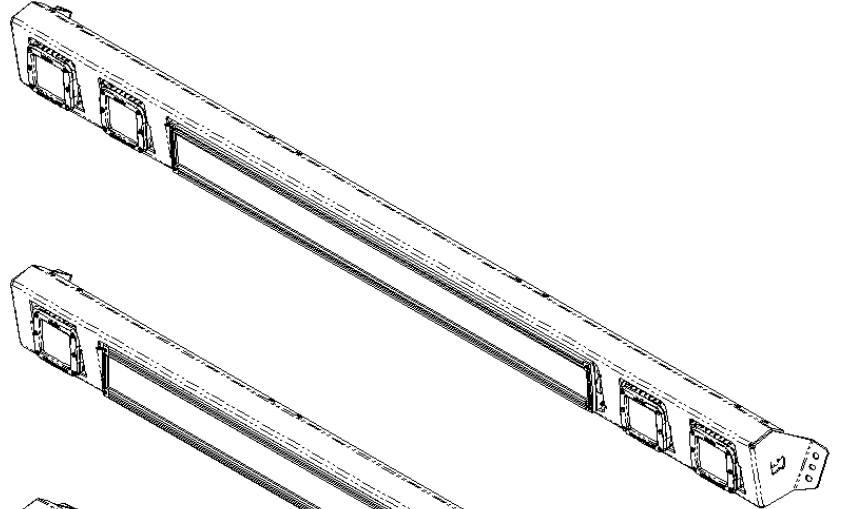
- Install light plate to brackets as shown, Both sides.
- Tighten screws to 70 in/lbs Max. DO NOT OVERTIGHTEN SCREWS.



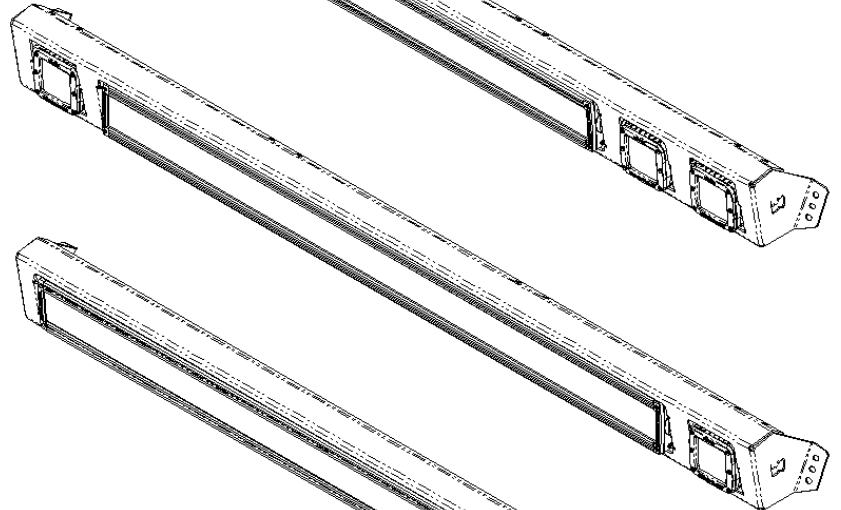
GO RHINO®

INSTALLATION INSTRUCTIONS

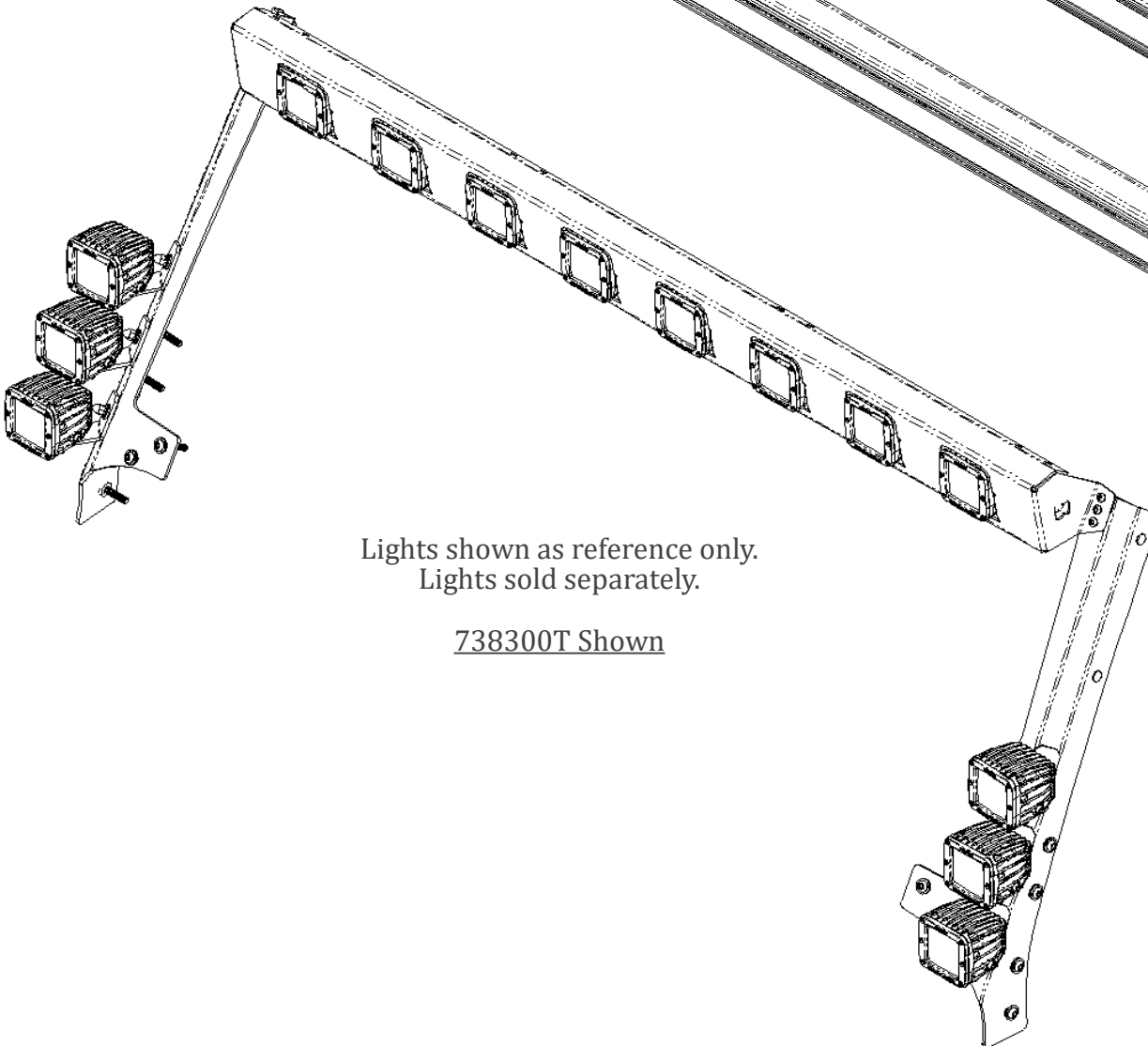
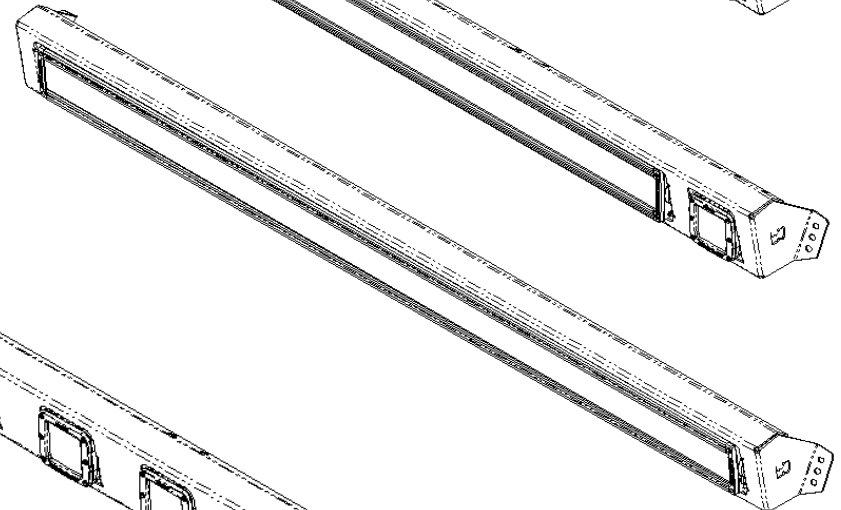
- 731323T Light Plate



- 731423T Light Plate



- 731500T Light Plate



Lights shown as reference only.
Lights sold separately.

738300T Shown