

# GO RHINO®

## INSTALLATION INSTRUCTIONS



PART NO.

- 6945056

PRODUCT DESCRIPTION:

- VERTEX V3 BRACKETS

APPLICATION:

- JEEP WRANGLER JK 4 DOOR

### PRODUCT SAFETY & LEGAL DISCLAIMER

- **IMPORTANT READ ALL INSTRUCTIONS CAREFULLY BEFORE INSTALLING, FAILURE TO DO SO MAY CAUSE PERSONAL INJURY OR DAMAGE TO PRODUCT AND/OR PROPERTY.**
- **Review the product package and contents prior to beginning the installation.** Take care when opening the packaging and removing items. If a return is needed you will want to return the product in its original packaging if possible.
- This instruction guide is provided as a GENERAL installation guide, some vehicles vary dimensionally and may require additional steps.
- Test fit the product on the vehicle prior to any third party modifications and or finishing. The manufacturer and/or distributors do not accept responsibility for third party charges, labor and or third part replacement modifications. Some modifications may void the factory warranty.
- Exercise due-diligence when installing this product. The manufacturer and distributors of this product do not accept any responsibility for vehicle damage or personal injury resulting from the installation of this product. Careless installation and operation can result in serious injury or equipment damage.
- This product is for general off-road use. All liability for installation and use rests with the owner/operator.
- **INSTALLER:** Once installation is complete, please return this guide along with other documentation included in this product back to the consumer for future reference. The manufacturer/distributors of this product do not guarantee this particular version will be available at a later date.



## INSTALLATION INSTRUCTIONS

### INJURY HAZARD

Please complete a shop and tool inspection prior to beginning the installation.

- Always make sure you have a clean, dry and well lit work area.
- Always remove jewelry, loose fitting clothing and wear protective gloves and eye protection.
- Always use extreme caution when jacking or raising a vehicle for work. Set the emergency brake and use tire/wheel blocks and jack stands. Refer to the vehicle manufacturer hand book. Utilize the vehicle manufacturers designated lifting points.
- Always use appropriate and adequate care in lifting parts during disassembly and installation. Seek help in lifting heavy or large items into place. Utilize jacks and or lifting devices when available.
- Always insure products are secure during disassembly and installation.
- Always wear eye protection and take steps to protect any exposed skin during the installations. Drilling, cutting and grinding plastic and metal may create flying particles that can cause injury.
- Always use extreme caution when drilling, cutting and or grinding on a vehicle. Thoroughly inspect the area to be drilled, on both sides of material, prior to modification and relocate any objects that may become damaged.
- Always assemble and tighten all fasteners per the installation instructions.
- Always route electrical cables carefully. Avoid moving parts, parts that may become hot and rough or sharp edges.
- Always insulate and protect all exposed wiring and electrical connections.

### MAINTENANCE AND CARE

- Always perform regular inspections and maintenance on mounts and related fasteners.
- Periodically check and tighten all fasteners.
- Stripped, fractured, or bent fasteners must be replaced.
- After washing the vehicle make sure to fully dry all surfaces.
- In areas with cold temperatures make sure to wash the product often to remove harmful materials used on road ways.
- Never use abrasive cleaners or polish compounds. Clean with a gentle soap and water. If you use wax use a non-abrasive automotive wax such as pure carnauba wax.

### WARNING

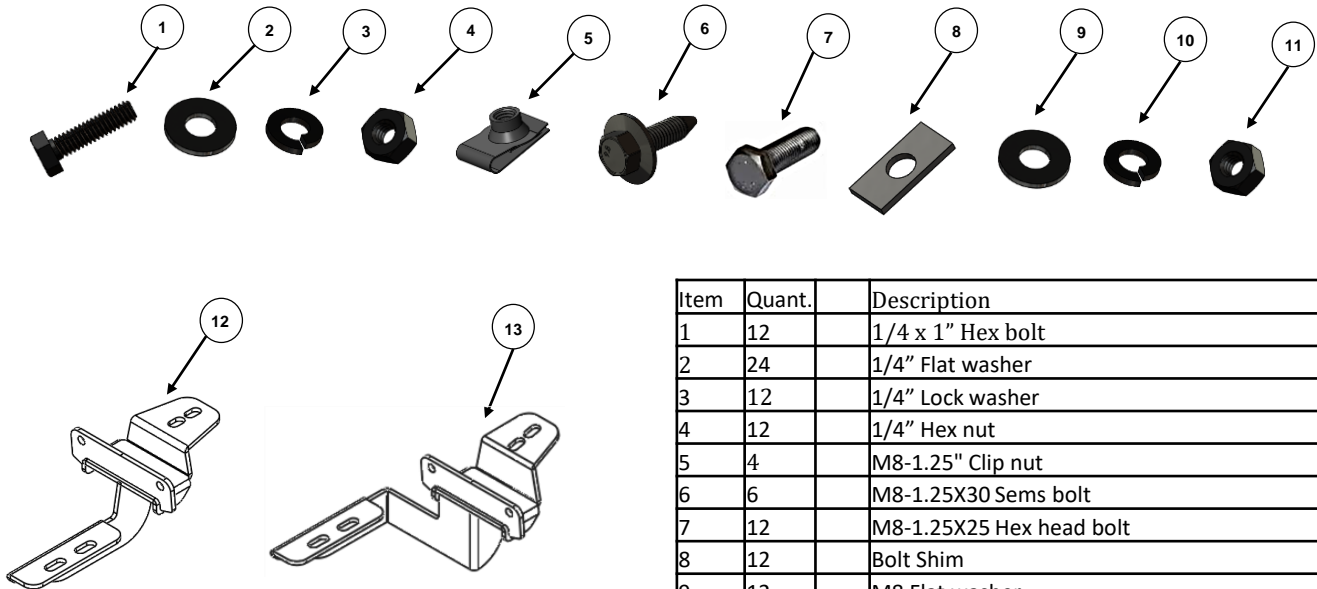
Some products have been designed to work together with factory rear sensor systems, factory forward facing sensor systems and factory air bags.

- Installation of some of these products may alter the factory sensor system performance.
- Factory sensors may read shackles or hooks protruding from the fairlead and or tow hooks.
- All sensor testing is completed by Go Rhino Products and or third party testing labs on modified vehicles.
- Sensor sensitivity, factory sensor housing, orientation, and operating conditions are all variables that will influence functionality of the sensors.
- Installation of some product may effect the factory air bag systems.
- Some products allow the use of third party products such as winches, shackles, hooks, etc. Follow the respective manufacturers operating instructions for use with our products.
- Make sure to fully understand the product, it's intended use and operation prior to use.
- Above all... be safe!

# GO RHINO®

## INSTALLATION INSTRUCTIONS

PARTS INCLUDED IN THIS LIST:



| Item | Quant. | Description              |
|------|--------|--------------------------|
| 1    | 12     | 1/4 x 1" Hex bolt        |
| 2    | 24     | 1/4" Flat washer         |
| 3    | 12     | 1/4" Lock washer         |
| 4    | 12     | 1/4" Hex nut             |
| 5    | 4      | M8-1.25" Clip nut        |
| 6    | 6      | M8-1.25X30 Sems bolt     |
| 7    | 12     | M8-1.25X25 Hex head bolt |
| 8    | 12     | Bolt Shim                |
| 9    | 12     | M8 Flat washer           |
| 10   | 12     | M8 Lock washer           |
| 11   | 12     | M8-1.25 Hex nut          |
| 12   | 4      | Front and center Bracket |
| 113  | 2      | Rear Bracket             |

Go Rhino recommends you, the installer, read this installation instruction manual from front to back before installing the product.

### TOOLS NEEDED FOR INSTALLATION:

- 9/16", 1/2" Socket & Wrench
- 13mm Socket & Wrench
- Ratchet & Extension

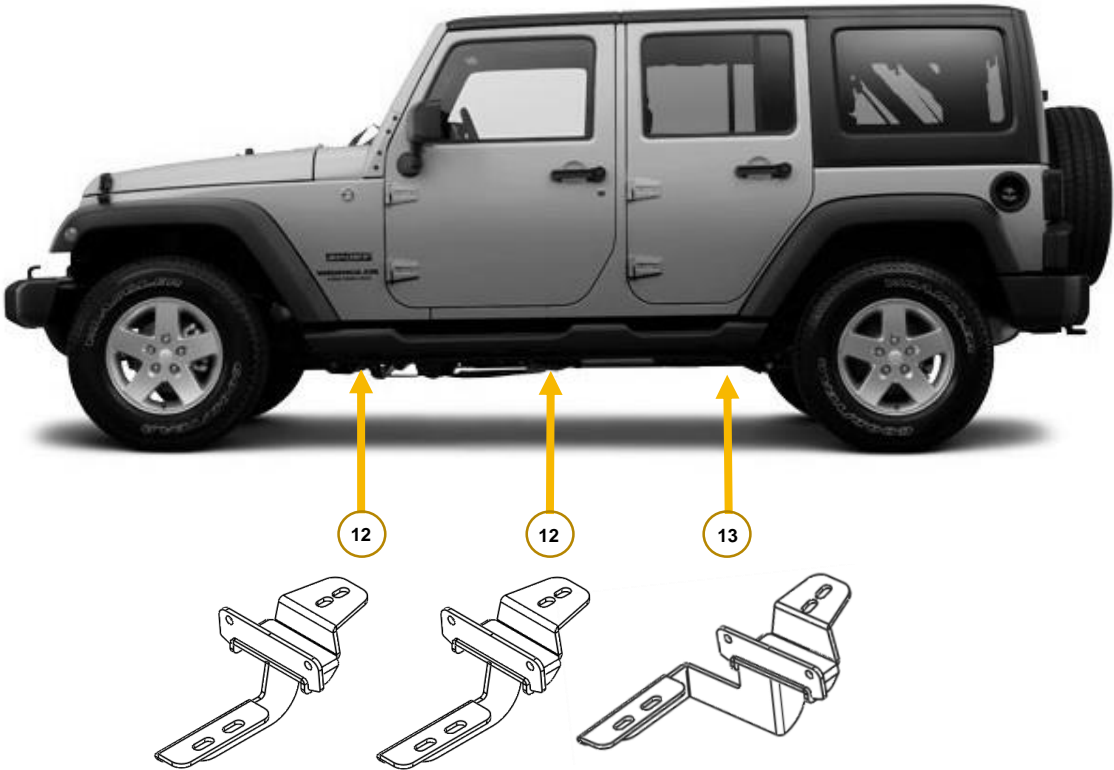
ESTIMATED TIME FOR INSTALLATION:

1 Hour

# GORRHINO®

## INSTALLATION INSTRUCTIONS

This installation uses 3 brackets per side.



# GO RHINO®

## INSTALLATION INSTRUCTIONS

If the vehicle is equipped with factory slider bars, remove the fasteners, brackets and sliders bars from the vehicle.

**Step-1** This installation uses (3) mounting brackets per side. Begin by installing the driver side front and center bracket. Locate the holes in the body pinch mold and in the under side of the body. Remove the black tape covering the round hole in the body and install (1) M8" U-nut as shown. **Photo #1**

**Step 2.** Attach (1) front mounting bracket to the pinch mold using (2) 1/4" X 1" Hex bolts, flat washers, lock washers, hex nuts and to the body using (1) M8 X 30 Sems bolt. Do not tighten. **Photo #2**

Photo 1

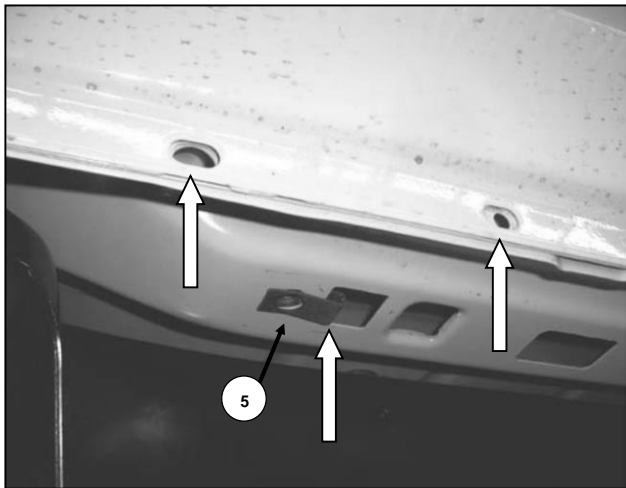
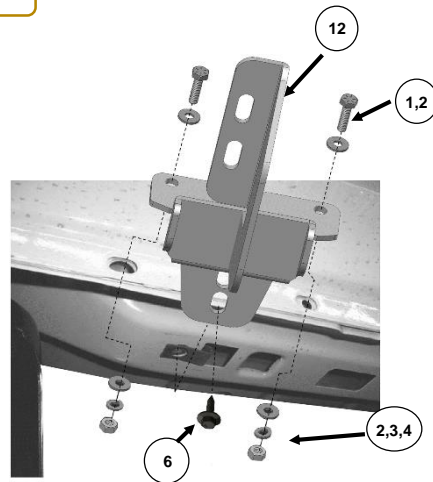


Photo 2



**STEP 3.** Repeat the above procedure to install (1) rear mounting bracket. Do not tighten. **Photo #3 & Photo #4**

Photo 3

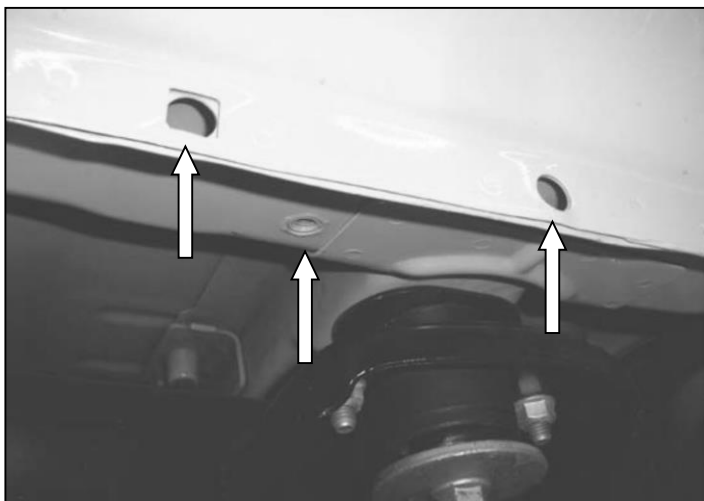
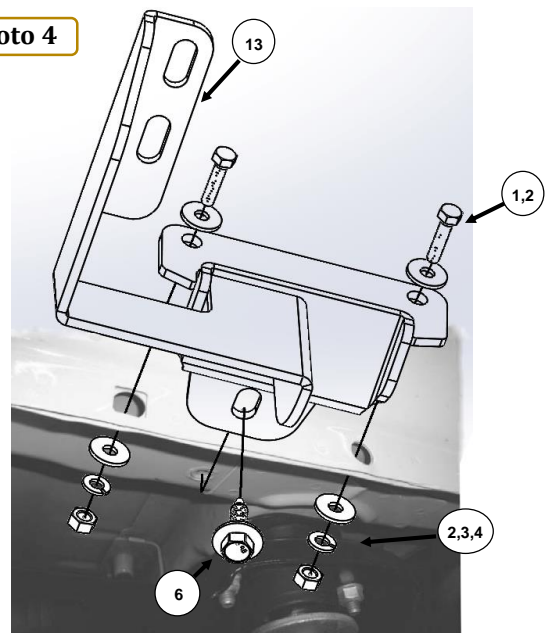


Photo 4

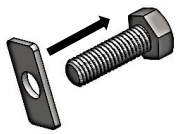


# GORRHINO®

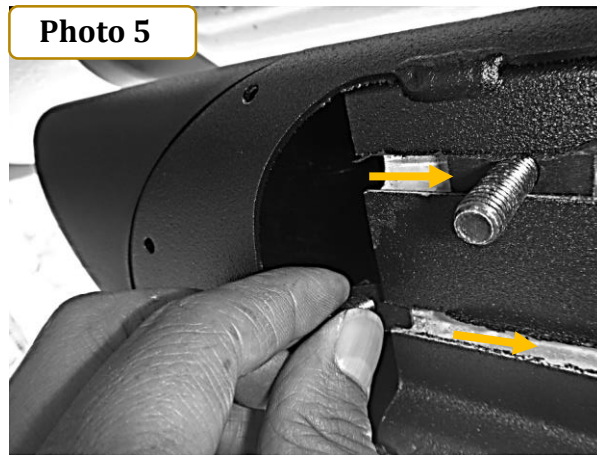
## INSTALLATION INSTRUCTIONS

**Step-7** Insert the bolt shim assembly into the rails of the inner aluminum extrusion at the underside of the side step. Each side step requires ( 6 ) M8 x 25mm. Hex bolt, 2 at the front, 2 at the rear, and 2 at the middle

**Step-8** Place the Side step on the brackets and attach using ( 6 ) M8 Hex nut, ( 6 ) M8 Flat washer, ( 6 ) M8 Lock washer. **Photo 5 & 6.**



Insert the shim to the bolt.



**Step-9** Align the side step with the vehicle and tighten all brackets and side steps nuts and bolts. Repeat the above steps to install the passenger side brackets and side step. Remember to check and retighten the nuts and bolts every six months.