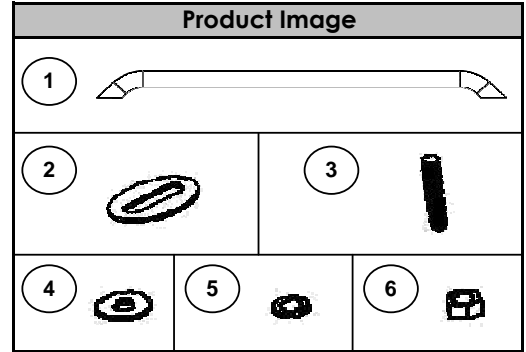


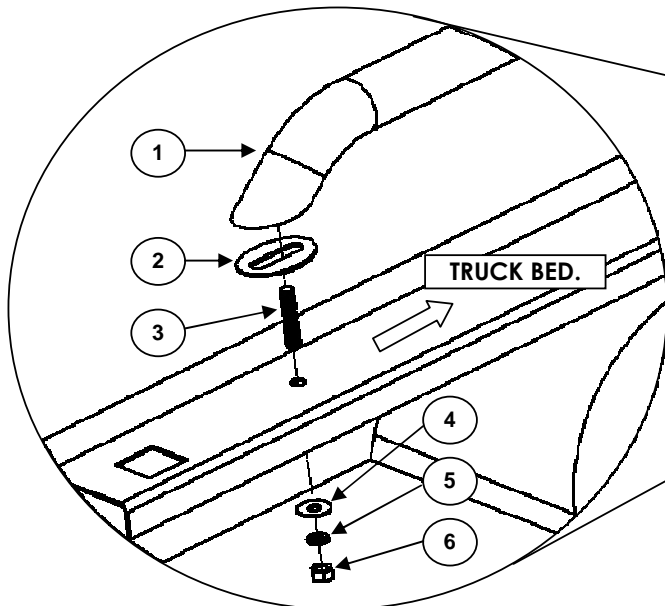
Parts List				
Item	Qty.	Code	Description	Max. Torque
1	1 Set	-	Bed Rail Set	-
<b>1 KTE-1006 HARDWARE KIT INCLUDES:</b>				
2	4 Pc	-	Rubber Gaskets	-
3	4 Pc	-	3/8 x 2 1/8" Dented Bolt	30 Lb.Ft
4	4 Pc	-	3/8" Flat washers.	-
5	4 Pc	-	3/8" Lock washers.	-
6	4 Pc	-	3/8" Hex nut.	30 Lb.Ft

Required Tools (Not included)	
Qty.	Description
1	Wrench
1	7/16" Drill Bit
1	Drill
1	Extension to ratchet
1	Ratchet



### Instructions

1. Before beginning the installation, please read all directions carefully and verify that all necessary hardware is accounted for. If any parts are missing, stop the installation and contact your distributor immediately.
2. To maintain and care this product, keep it clean and do not use abrasive cleaners or polish waxes. We recommend to use only automotive wax such as pure carnauba to avoid scratches and rust.
3. The approximate installation time is 25 min.
4. Insert the 3/8 x 2 1/8" dented bolts into the Bed Rail.
5. Place the Bed Rails on truck bed in the desired position. Use point head of dented bolts to mark position of holes, drill 7/16" in every bolts position. ( **CAUTION: ALWAYS USE EYE PROTECTION WHEN OPERATING A DRILL** ).
6. Mount Bed Rail inserting bolts in holes and tighten using 3/8" hex nut.
7. You may need to periodically re-tighten the fasteners on your Bed Rail.



DETAIL ILLUSTRATION 1.

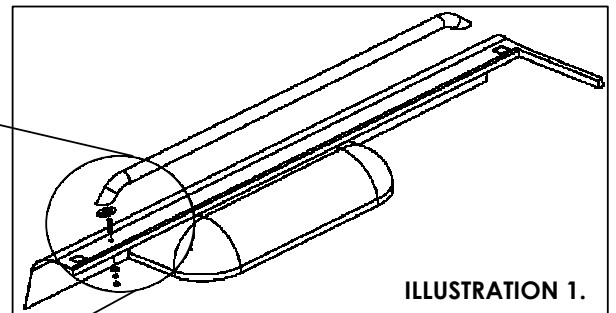


ILLUSTRATION 1.



BED RAIL INSTALLED.