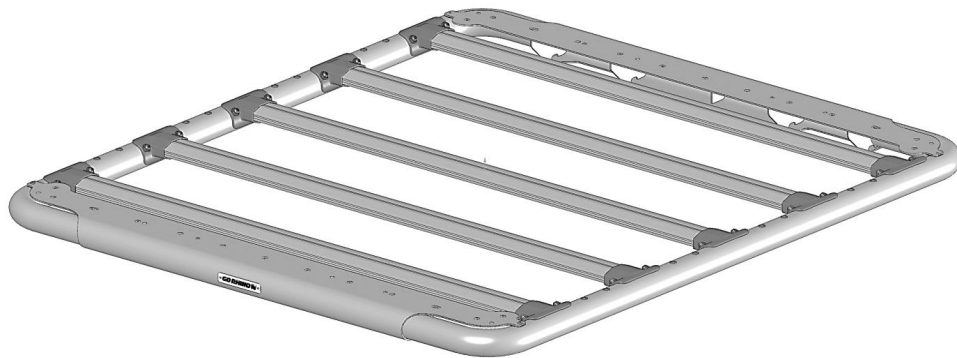


# GO RHINO®

## INSTALLATION INSTRUCTIONS



### PART NO.

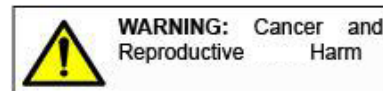
- 5935055T
- 5935065T
- 5935075T

### PRODUCT DESCRIPTION:

- SRM500 MODULAR ROOF RACK

### PRODUCT SAFETY & LEGAL DISCLAIMER

- **IMPORTANT READ ALL INSTRUCTIONS CAREFULLY BEFORE INSTALLING, FAILURE TO DO SO MAY CAUSE PERSONAL INJURY OR DAMAGE TO PRODUCT AND/OR PROPERTY.**
- **Review the product package and contents prior to beginning the installation.** Take care when opening the packaging and removing items. If a return is needed you will want to return the product in its original packaging if possible.
- This instruction guide is provided as a GENERAL installation guide, some vehicles vary dimensionally and may require additional steps.
- Test fit the product on the vehicle prior to any third party modifications and or finishing. The manufacturer and/or distributors do not accept responsibility for third party charges, labor and or third part replacement modifications. Some modifications may void the factory warranty.
- Exercise due-diligence when installing this product. The manufacturer and distributors of this product do not accept any responsibility for vehicle damage or personal injury resulting from the installation of this product. Careless installation and operation can result in serious injury or equipment damage.
- This product is for general off-road use. All liability for installation and use rests with the owner/operator.
- **INSTALLER:** Once installation is complete, please return this guide along with other documentation included in this product back to the consumer for future reference. The manufacturer/distributors of this product do not guarantee this particular version will be available at a later date.





## INSTALLATION INSTRUCTIONS

### INJURY HAZARD

Please complete a shop and tool inspection prior to beginning the installation.

- Always make sure you have a clean, dry and well lit work area.
- Always remove jewelry, loose fitting clothing and wear protective gloves and eye protection.
- Always use extreme caution when jacking or raising a vehicle for work. Set the emergency brake and use tire/wheel blocks and jack stands. Refer to the vehicle manufacturer hand book. Utilize the vehicle manufacturers designated lifting points.
- Always use appropriate and adequate care in lifting parts during disassembly and installation. Seek help in lifting heavy or large items into place. Utilize jacks and or lifting devices when available.
- Always insure products are secure during disassembly and installation.
- Always wear eye protection and take steps to protect any exposed skin during the installations. Drilling, cutting and grinding plastic and metal may create flying particles that can cause injury.
- Always use extreme caution when drilling, cutting and or grinding on a vehicle. Thoroughly inspect the area to be drilled, on both sides of material, prior to modification and relocate any objects that may become damaged.
- Always assemble and tighten all fasteners per the installation instructions.
- Always route electrical cables carefully. Avoid moving parts, parts that may become hot and rough or sharp edges.
- Always insulate and protect all exposed wiring and electrical connections.

### MAINTENANCE AND CARE

- Always perform regular inspections and maintenance on mounts and related fasteners.
- Periodically check and tighten all fasteners.
- Stripped, fractured, or bent fasteners must be replaced.
- After washing the vehicle make sure to fully dry all surfaces.
- In areas with cold temperatures make sure to wash the product often to remove harmful materials used on road ways.
- Never use abrasive cleaners or polish compounds. Clean with a gentle soap and water. If you use wax use a non-abrasive automotive wax such as pure carnauba wax.

### WARNING

Some products have been designed to work together with factory rear sensor systems, factory forward facing sensor systems and factory air bags.

- Installation of some of these products may alter the factory sensor system performance.
- Factory sensors may read shackles or hooks protruding from the fairlead and or tow hooks.
- All sensor testing is completed by Go Rhino Products and or third party testing labs on modified vehicles.
- Sensor sensitivity, factory sensor housing, orientation, and operating conditions are all variables that will influence functionality of the sensors.
- Installation of some product may effect the factory air bag systems.
- Some products allow the use of third party products such as winches, shackles, hooks, etc. Follow the respective manufacturers operating instructions for use with our products.
- Make sure to fully understand the product, it's intended use and operation prior to use.
- Above all... be safe!

# GO RHINO®

## INSTALLATION INSTRUCTIONS

### PARTS INCLUDED IN THIS LIST:

ITEM	QTY.	PART NUMBER	DESCRIPTION	ITEM	QTY.	PART NUMBER	DESCRIPTION
A	4	AST-T181G4	#8 x 3/4" Drilling Screw	G	8	AST-TU119G4	1/4" Hex Nut
B	36	AST-T211G4	1/4" x 1" Button Head Bolt	H	16	ASH-E151	1/4" Flat Washer (Plastic)
C	8	AST-T870G4	1/4" x 3/4" Hex Bolt	I	4	AST-T852G4	3/8" x 1 1/2" Hex Bolt
D	8	AST-T589G4	1/4" x 1 1/4" Hex Bolt	J	4	AST-RPRO7G4	3/8" Lock Washer
E	36	AST-RPR70G4	1/4" Lock Washer	K	4	ASH-RP120G4	3/8" Flat Washer
F	36	AST-RP21G4	1/4" Flat Washer	L	4	MTE-416	Adhesive-Back Gasket

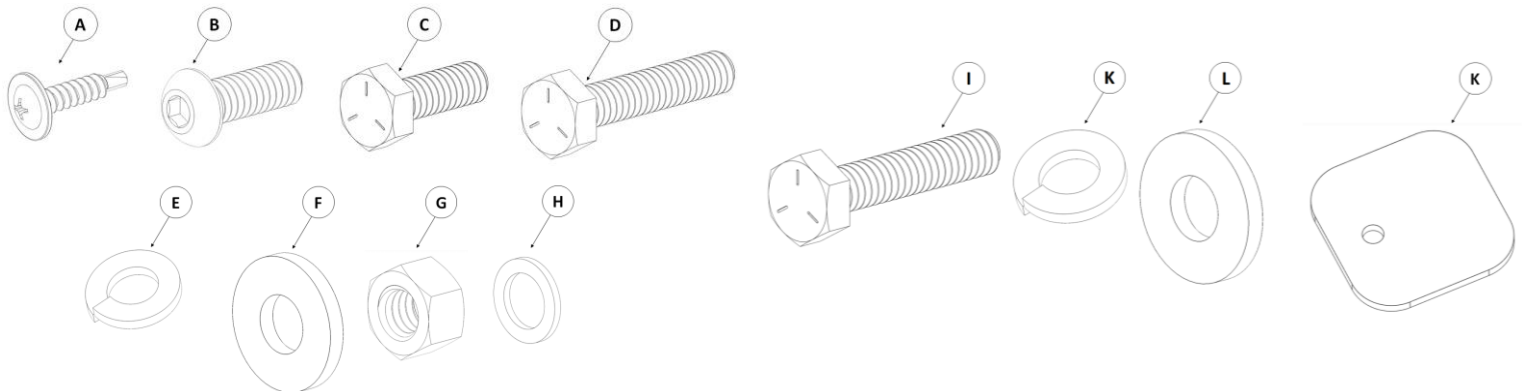
5935055T

ITEM	QTY.	PART NUMBER	DESCRIPTION	ITEM	QTY.	PART NUMBER	DESCRIPTION
A	4	AST-T181G4	#8 x 3/4" Drilling Screw	G	8	AST-TU119G4	1/4" Hex Nut
B	44	AST-T211G4	1/4" x 1" Button Head Bolt	H	20	ASH-E151	1/4" Flat Washer (Plastic)
C	8	AST-T870G4	1/4" x 3/4" Hex Bolt	I	4	AST-T852G4	3/8" x 1 1/2" Hex Bolt
D	8	AST-T589G4	1/4" x 1 1/4" Hex Bolt	J	4	AST-RPRO7G4	3/8" Lock Washer
E	40	AST-RPR70G4	1/4" Lock Washer	K	4	ASH-RP120G4	3/8" Flat Washer
F	40	AST-RP21G4	1/4" Flat Washer	L	4	MTE-416	Adhesive-Back Gasket

5935065T

ITEM	QTY.	PART NUMBER	DESCRIPTION	ITEM	QTY.	PART NUMBER	DESCRIPTION
A	4	AST-T181G4	#8 x 3/4" Drilling Screw	G	8	AST-TU119G4	1/4" Hex Nut
B	52	AST-T211G4	1/4" x 1" Button Head Bolt	H	24	ASH-E151	1/4" Flat Washer (Plastic)
C	8	AST-T870G4	1/4" x 3/4" Hex Bolt	I	4	AST-T852G4	3/8" x 1 1/2" Hex Bolt
D	8	AST-T589G4	1/4" x 1 1/4" Hex Bolt	J	4	AST-RPRO7G4	3/8" Lock Washer
E	44	AST-RPR70G4	1/4" Lock Washer	K	4	ASH-RP120G4	3/8" Flat Washer
F	44	AST-RP21G4	1/4" Flat Washer	L	4	MTE-416	Adhesive-Back Gasket

5935075T



### TOOLS NEEDED FOR INSTALLATION:

- 5/32" Hex Bit Socket
- 7/16" & 9/16" Socket
- 7/16" Wrench
- Ratchet & Extension
- Drill Motor & Phillips Bit

ESTIMATED TIME FOR INSTALLATION:

1.5 Hrs.

# GO RHINO®

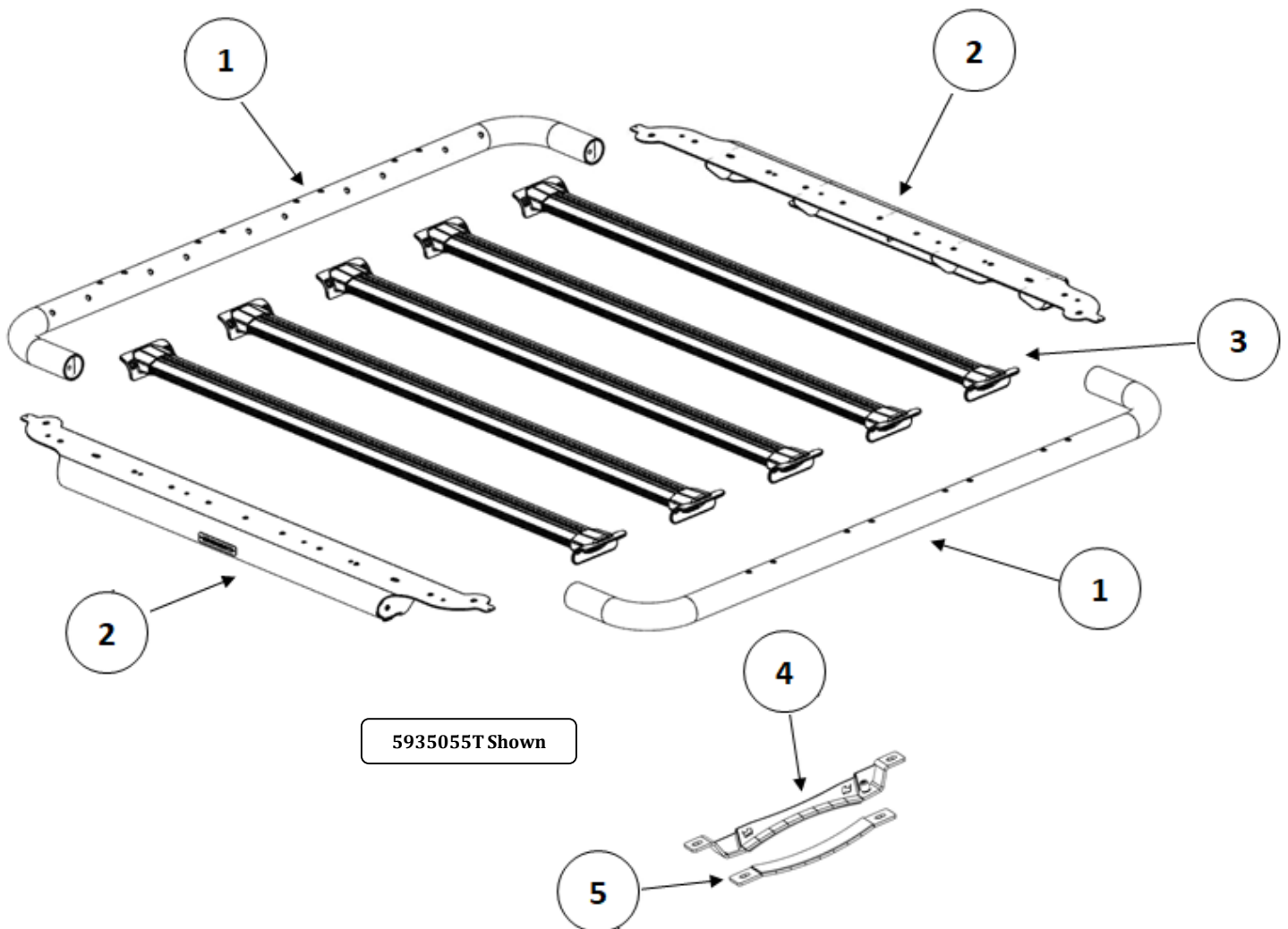
## INSTALLATION INSTRUCTIONS

### PARTS INCLUDED IN THIS LIST:

ITEM	QTY.	PART #	DESCRIPTION	ITEM	QTY.	PART #	DESCRIPTION
1	2	59350550AA	Side Rail	4	4	59340000BA	Clamp Bracket
2	2	5935055BA	End Plate	5	4	59340006CA	Strap Bracket
3	5	59350608BA	Crossbar & Cap Bracket Assembly				
5935055T							

ITEM	QTY.	PART #	DESCRIPTION	ITEM	QTY.	PART #	DESCRIPTION
1	2	59350550AA	Side Rail	4	4	59340000BA	Clamp Bracket
2	2	5935055BA	End Plate	5	4	59340006CA	Strap Bracket
3	6	59350608BA	Crossbar & Cap Bracket Assembly				
5935065T							

ITEM	QTY.	PART #	DESCRIPTION	ITEM	QTY.	PART #	DESCRIPTION
1	2	59350550AA	Side Rail	4	4	59340000BA	Clamp Bracket
2	2	5935055BA	End Plate	5	4	59340006CA	Strap Bracket
3	7	59350608BA	Crossbar & Cap Bracket Assembly				
5935075T							

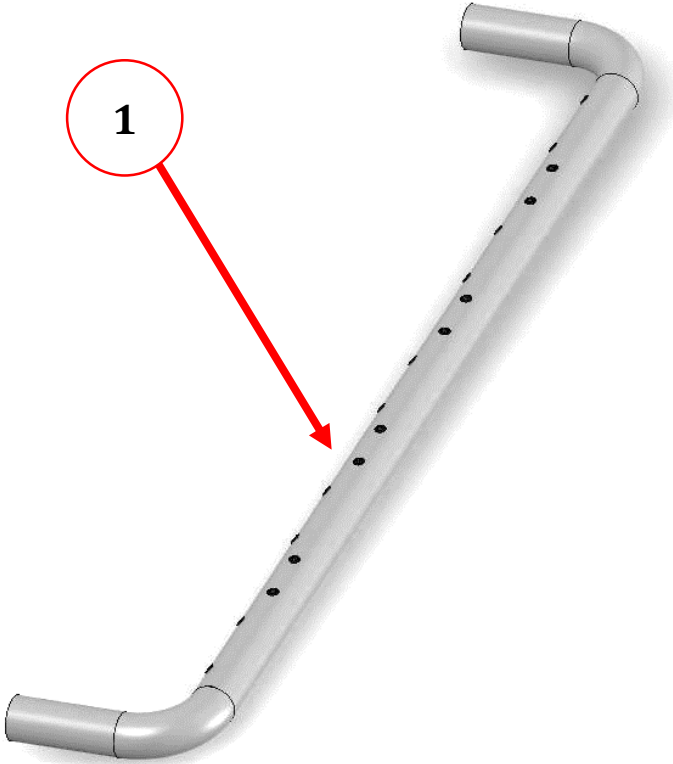
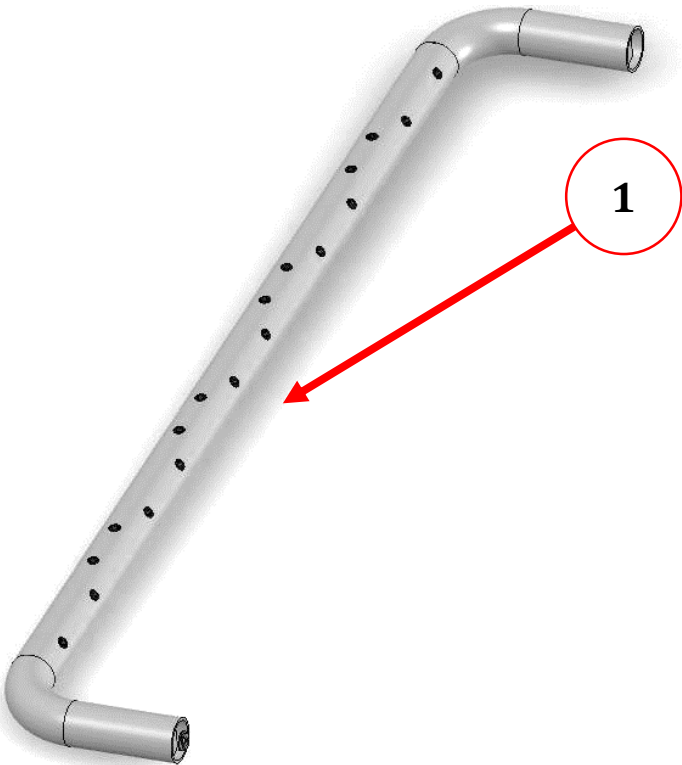


# GORRHINO®

## INSTALLATION INSTRUCTIONS

**Step-1** Lay the side rails in position with the top side up on a flat protective surface, (Fig 1).

Fig 1



5935055T Shown

# GORRHINO®

## INSTALLATION INSTRUCTIONS

**Step-2** Place the crossbars so the cap brackets are on top of the side rails. Align the holes in the cap bracket with the rivet-nuts in the side rails and secure each cap bracket to the side rail using (2) ¼" x 1" button head bolt, (2) ¼" lock washers and (2) ¼" flat washers, (Fig 2 & 3). Snug but to not tighten the bolts. Repeat for the other end plate

Fig 2

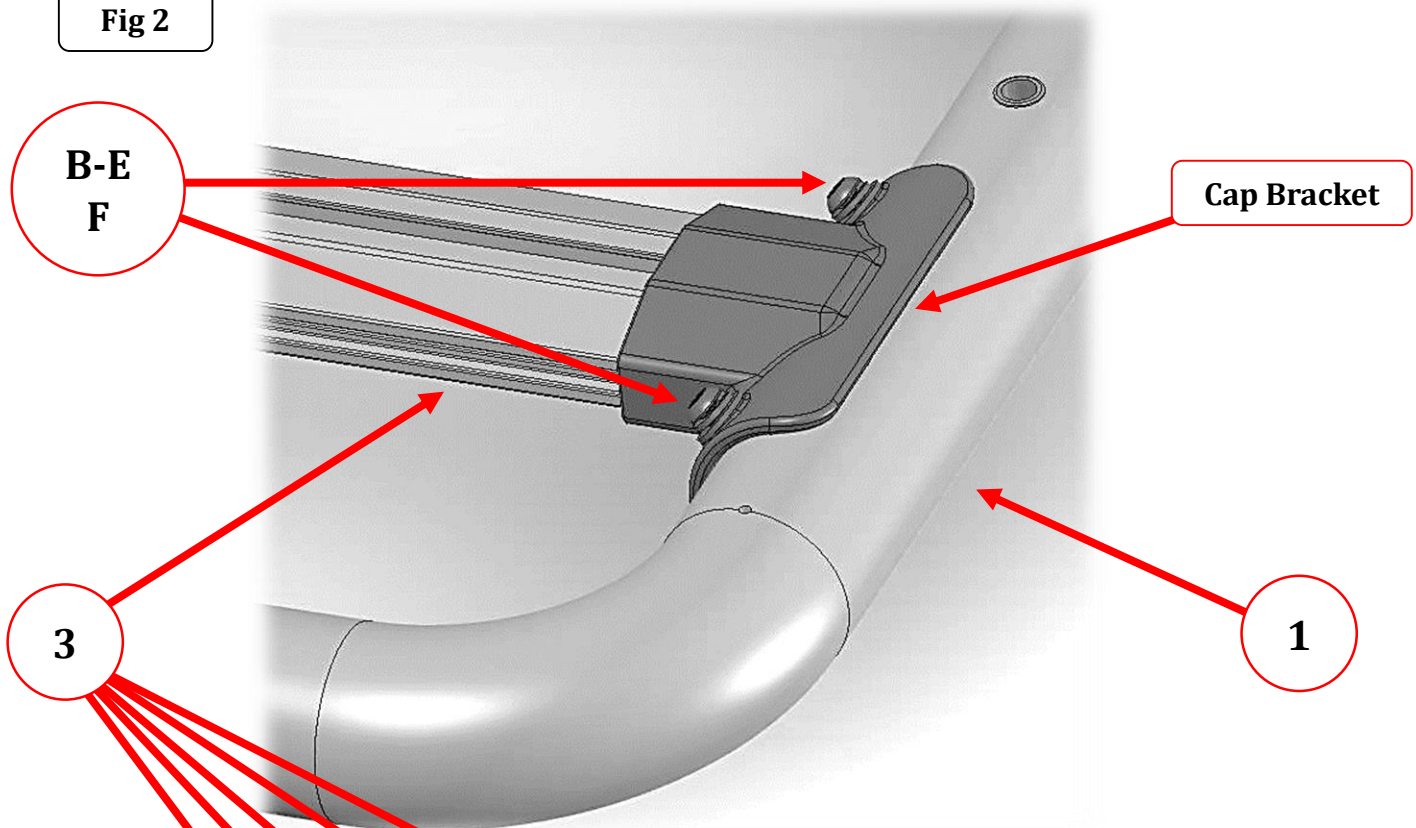
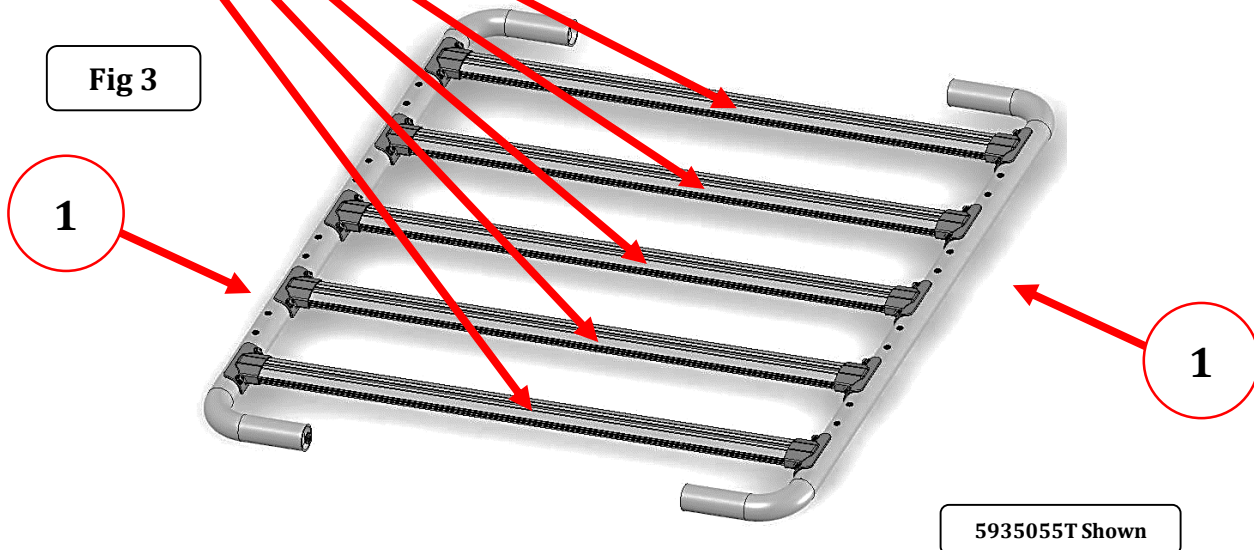


Fig 3



# GORRHINO<sup>®</sup>

## INSTALLATION INSTRUCTIONS

**Step-3** Apply gaskets to the bottom of the mounting flange on each side of the end plates, (Fig 4 & 5).

Fig 4

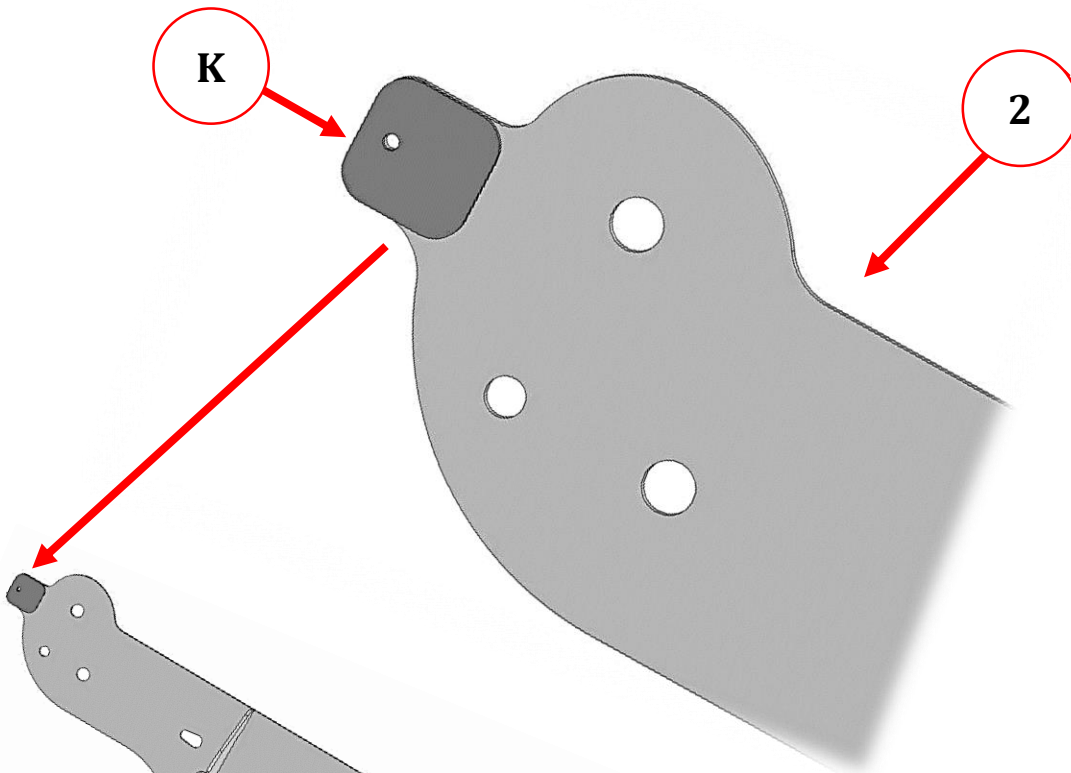
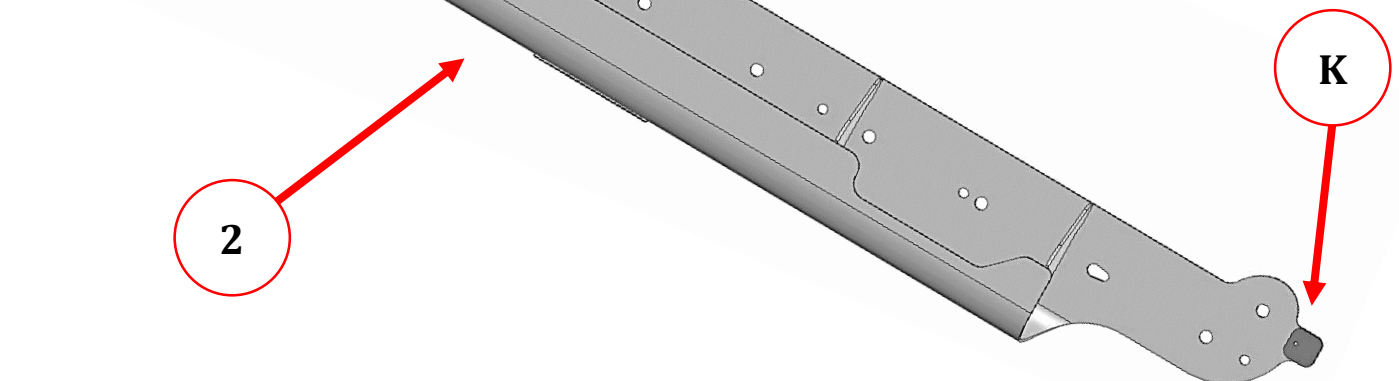


Fig 5



# GORRHINO®

## INSTALLATION INSTRUCTIONS

**Step-4** Place one of the end plates on top of the side rails.

**Step-5** Align the hole in the end plate with the rivet-nut in the side rail tube and secure the end plate to each side rail using (1) 3/8" x 1 1/2" hex bolt, (1) 3/8" lock washer and (1) 3/8" flat washer, (Fig 6 & 7). Repeat to install the other end plate, then tighten all bolts securing the cross bars and end plates.

Fig 6

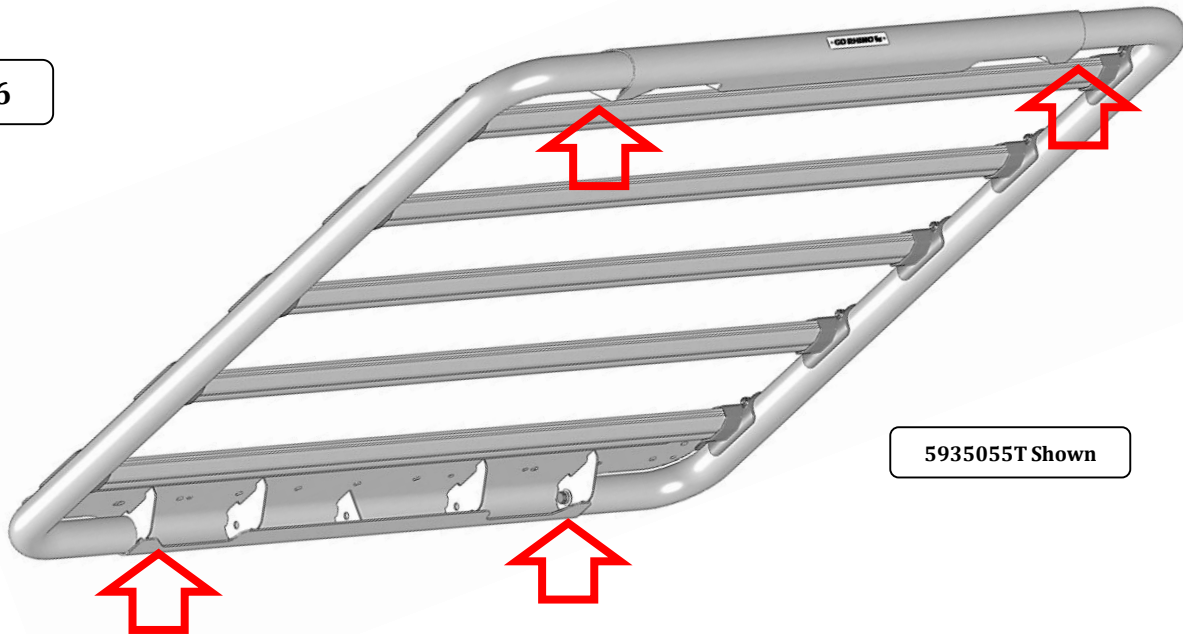
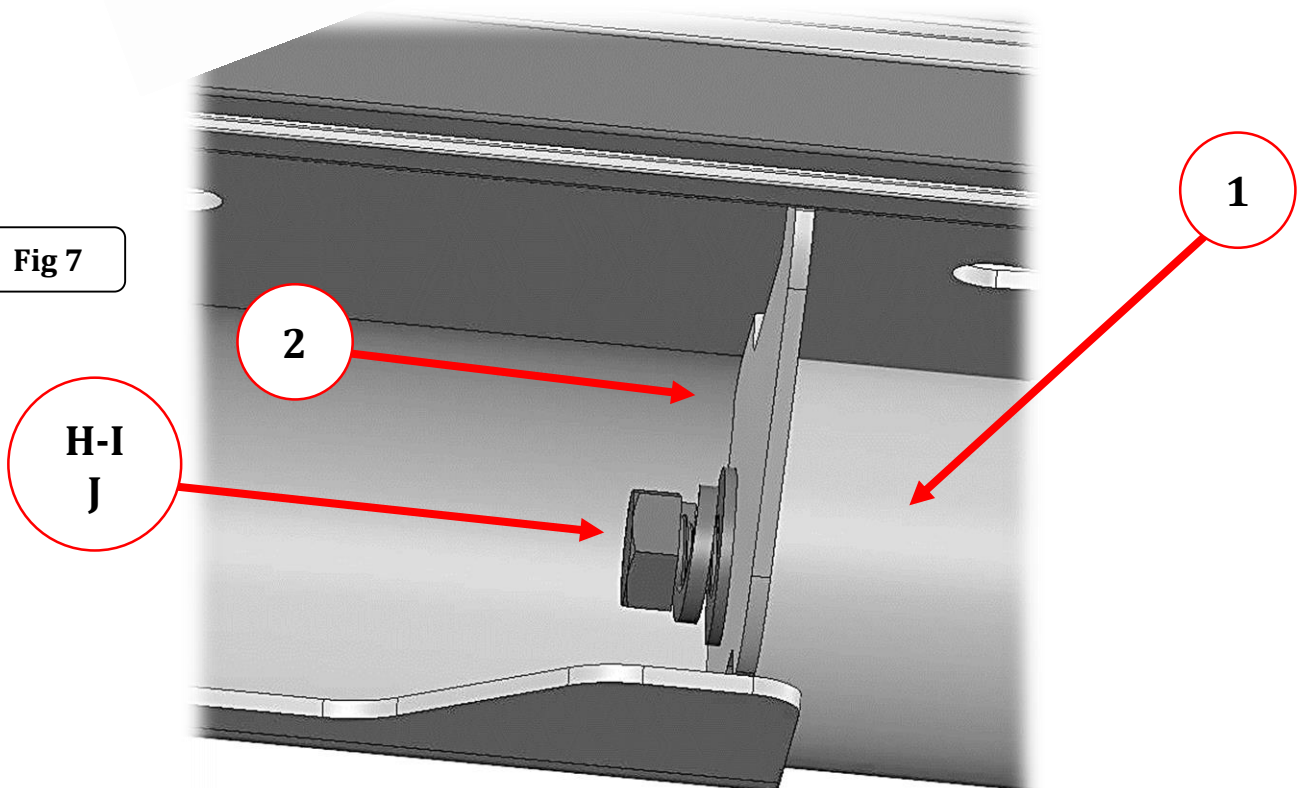


Fig 7



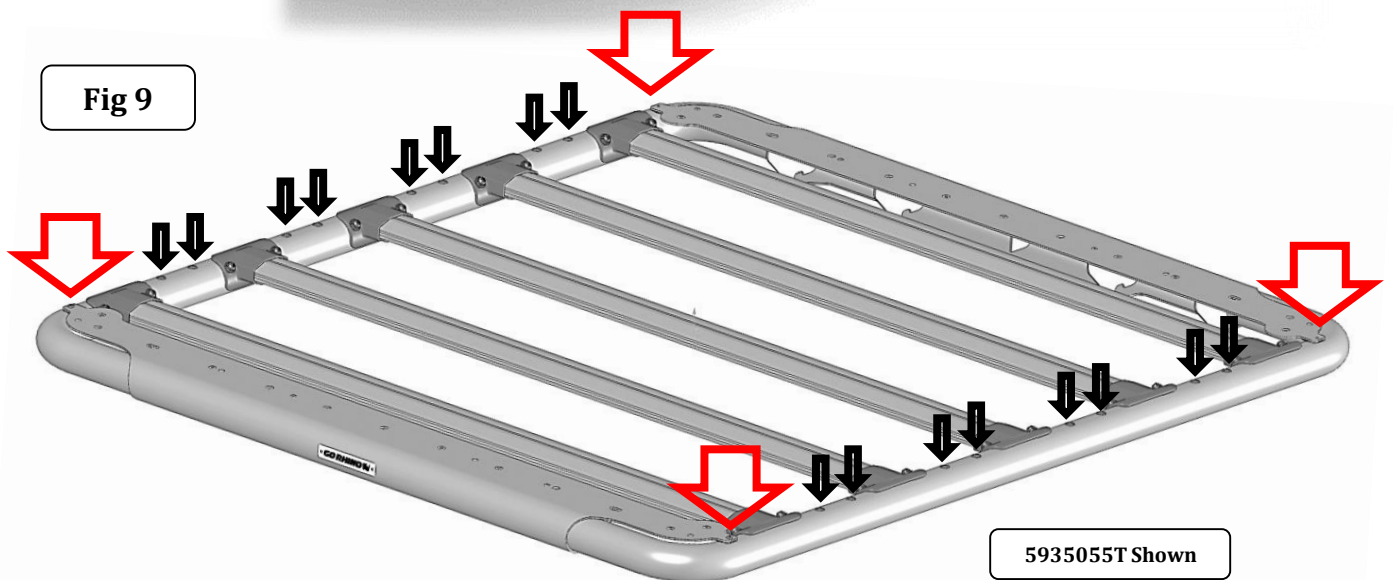
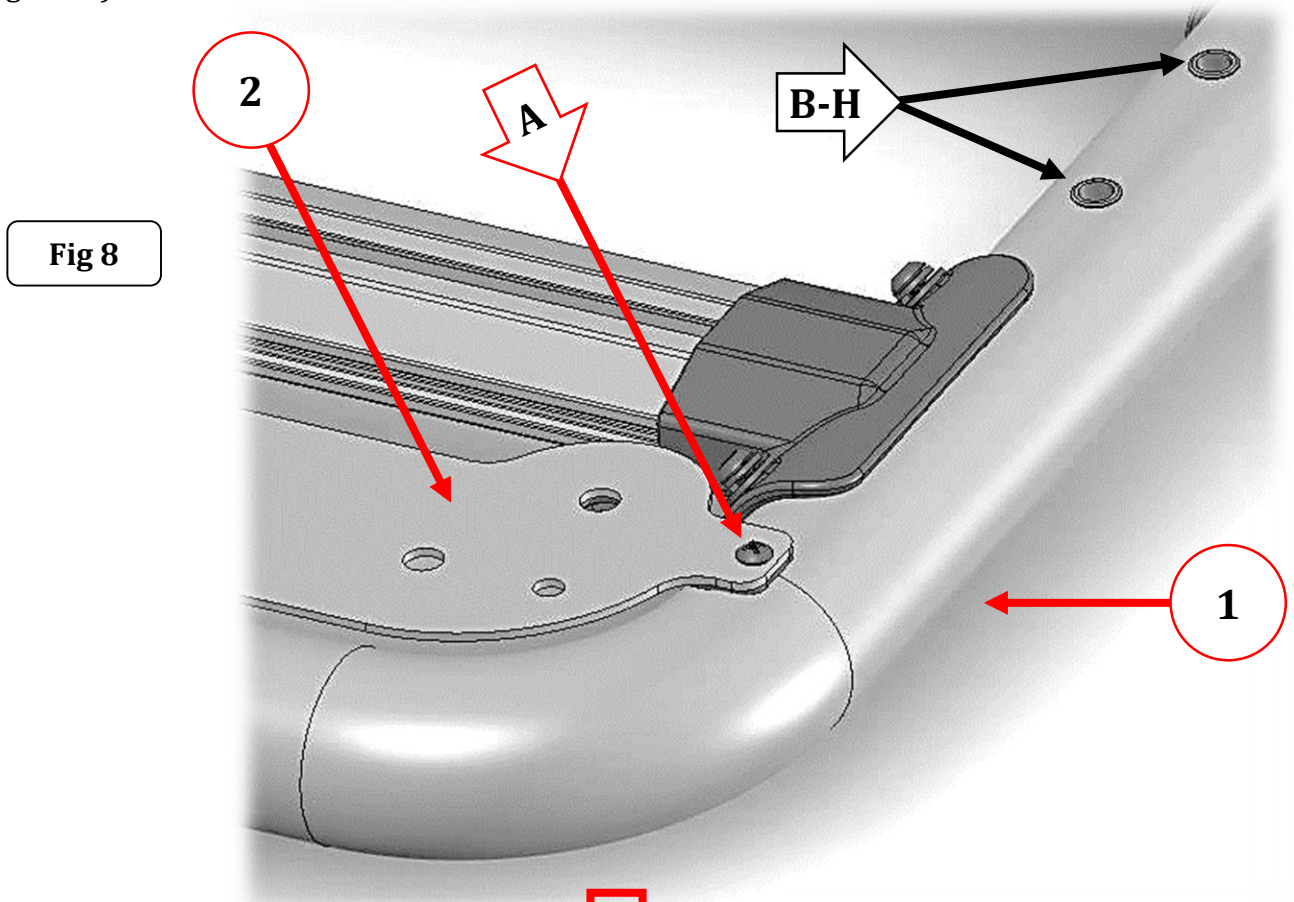


# GORRHINO®

## INSTALLATION INSTRUCTIONS

**Step-6** Using a drill motor and Philips bit, install (1) #8 x 3/4" drilling screw in each hole in the end plate to secure the end plate to the side rails, (Fig 8 & 9).

**Note:** Install 1/4" x 1" button head bolts with 1/4" Flat Washers (plastic) in the unused rivet-nuts in the side rails so as to prevent moisture or water from entering and accumulating inside the side rails, (Fig 8 & 9).





## INSTALLATION INSTRUCTIONS

If using the OEM roof rack crossbars and the supplied clamp brackets for attachment of the SRM roof rack.

**Step-7** With assistance position the SRM roof rack assembly with the top side down. Locate the counterbore on the SRM roof rack crossbars, and install and position (2)  $\frac{1}{4}$ " x  $\frac{3}{4}$ " hex bolts in the channel of the 4 crossbars that will align with the OEM roof rack side rail crossbars. **Note:** Changing the position of the OEM roof rack crossbars to align with the SRM roof rack clamp brackets may be required.

**Step-8** Attach the clamp brackets to the SRM roof rack crossbars using the (2)  $\frac{1}{4}$ " x  $\frac{3}{4}$ " hex bolts, (2)  $\frac{1}{4}$ " flat washers, (2)  $\frac{1}{4}$ " lock washers and (2)  $\frac{1}{4}$ " hex nuts for each clamp bracket, (Fig 11). Snug but do not tighten the hex nuts.

Fig 10

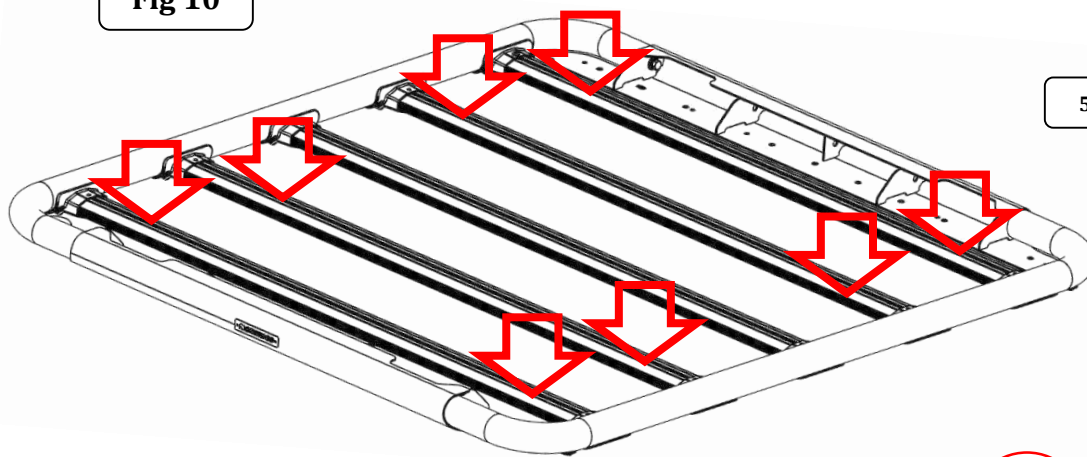
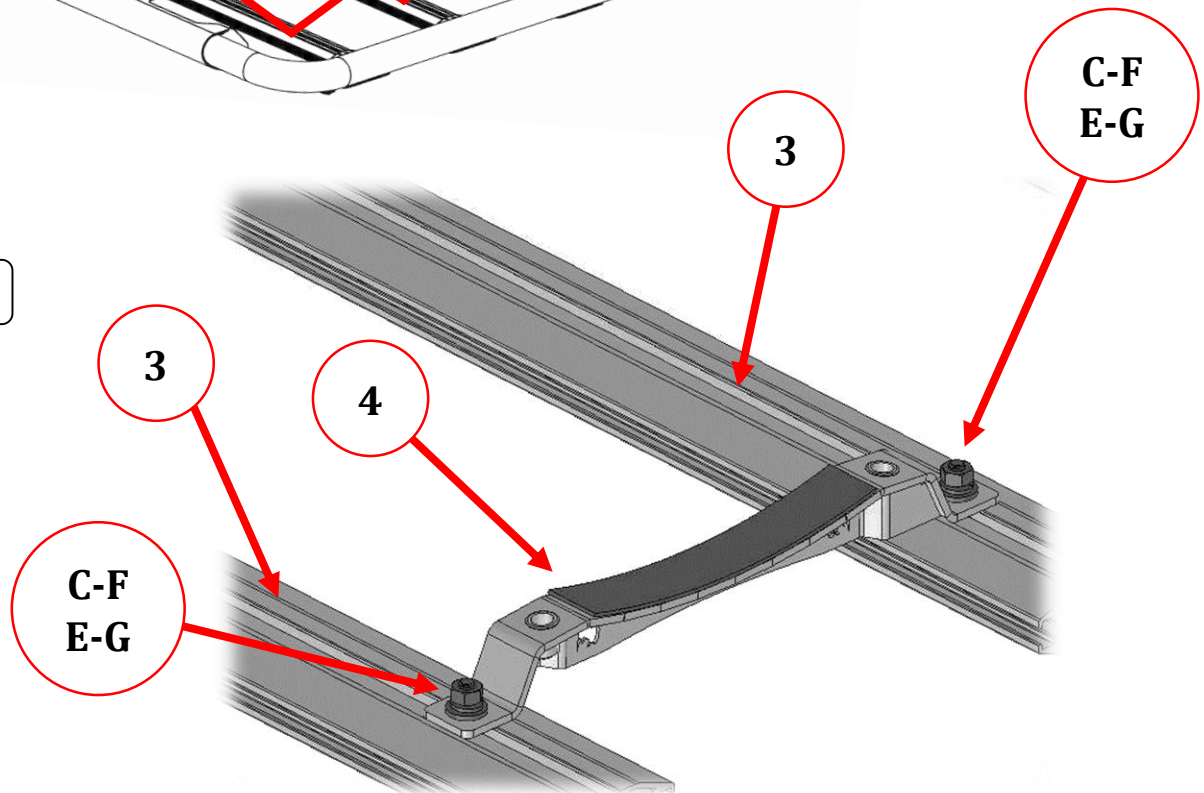


Fig 11



# GO RHINO®

## INSTALLATION INSTRUCTIONS

**Step-9** With assistance place the SRM roof rack assembly so the attached clamp brackets are resting on top of the OEM roof rack crossbars, (Fig 12).

**Step-10** Position the strap brackets under the OEM roof rack crossbars and attach the strap brackets to the clamp brackets using (2) 1/4" x 1 1/4" hex bolts, (2) 1/4" lock washers and (2) 1/4" flat washers, (Fig 12). Align the SRM rack assembly as necessary and fully tighten all hardware.

Fig 12

5935055T Shown

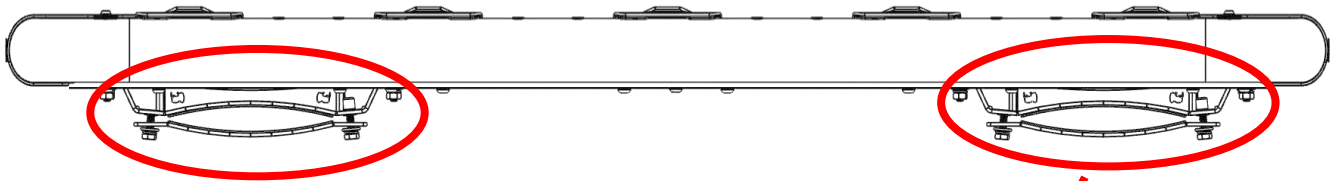


Fig 13

