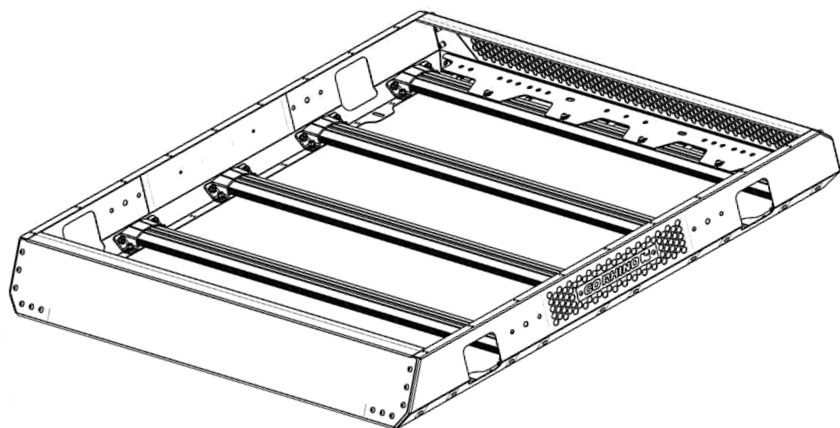


GO RHINO®

INSTALLATION INSTRUCTIONS



PART NO.

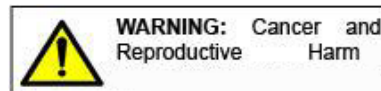
- 5934048T
- 5934058T
- 5934068T

PRODUCT DESCRIPTION:

- SRM400 MODULAR ROOF RACK

PRODUCT SAFETY & LEGAL DISCLAIMER

- **IMPORTANT READ ALL INSTRUCTIONS CAREFULLY BEFORE INSTALLING, FAILURE TO DO SO MAY CAUSE PERSONAL INJURY OR DAMAGE TO PRODUCT AND/OR PROPERTY.**
- **Review the product package and contents prior to beginning the installation.** Take care when opening the packaging and removing items. If a return is needed you will want to return the product in its original packaging if possible.
- This instruction guide is provided as a GENERAL installation guide, some vehicles vary dimensionally and may require additional steps.
- Test fit the product on the vehicle prior to any third party modifications and or finishing. The manufacturer and/or distributors do not accept responsibility for third party charges, labor and or third part replacement modifications. Some modifications may void the factory warranty.
- Exercise due-diligence when installing this product. The manufacturer and distributors of this product do not accept any responsibility for vehicle damage or personal injury resulting from the installation of this product. Careless installation and operation can result in serious injury or equipment damage.
- This product is for general off-road use. All liability for installation and use rests with the owner/operator.
- **INSTALLER:** Once installation is complete, please return this guide along with other documentation included in this product back to the consumer for future reference. The manufacturer/distributors of this product do not guarantee this particular version will be available at a later date.





INSTALLATION INSTRUCTIONS

INJURY HAZARD

Please complete a shop and tool inspection prior to beginning the installation.

- Always make sure you have a clean, dry and well lit work area.
- Always remove jewelry, loose fitting clothing and wear protective gloves and eye protection.
- Always use extreme caution when jacking or raising a vehicle for work. Set the emergency brake and use tire/wheel blocks and jack stands. Refer to the vehicle manufacturer hand book. Utilize the vehicle manufacturers designated lifting points.
- Always use appropriate and adequate care in lifting parts during disassembly and installation. Seek help in lifting heavy or large items into place. Utilize jacks and or lifting devices when available.
- Always insure products are secure during disassembly and installation.
- Always wear eye protection and take steps to protect any exposed skin during the installations. Drilling, cutting and grinding plastic and metal may create flying particles that can cause injury.
- Always use extreme caution when drilling, cutting and or grinding on a vehicle. Thoroughly inspect the area to be drilled, on both sides of material, prior to modification and relocate any objects that may become damaged.
- Always assemble and tighten all fasteners per the installation instructions.
- Always route electrical cables carefully. Avoid moving parts, parts that may become hot and rough or sharp edges.
- Always insulate and protect all exposed wiring and electrical connections.

MAINTENANCE AND CARE

- Always perform regular inspections and maintenance on mounts and related fasteners.
- Periodically check and tighten all fasteners.
- Stripped, fractured, or bent fasteners must be replaced.
- After washing the vehicle make sure to fully dry all surfaces.
- In areas with cold temperatures make sure to wash the product often to remove harmful materials used on road ways.
- Never use abrasive cleaners or polish compounds. Clean with a gentle soap and water. If you use wax use a non-abrasive automotive wax such as pure carnauba wax.

WARNING

Some products have been designed to work together with factory rear sensor systems, factory forward facing sensor systems and factory air bags.

- Installation of some of these products may alter the factory sensor system performance.
- Factory sensors may read shackles or hooks protruding from the fairlead and or tow hooks.
- All sensor testing is completed by Go Rhino Products and or third party testing labs on modified vehicles.
- Sensor sensitivity, factory sensor housing, orientation, and operating conditions are all variables that will influence functionality of the sensors.
- Installation of some product may effect the factory air bag systems.
- Some products allow the use of third party products such as winches, shackles, hooks, etc. Follow the respective manufacturers operating instructions for use with our products.
- Make sure to fully understand the product, it's intended use and operation prior to use.
- Above all... be safe!

GO RHINO®

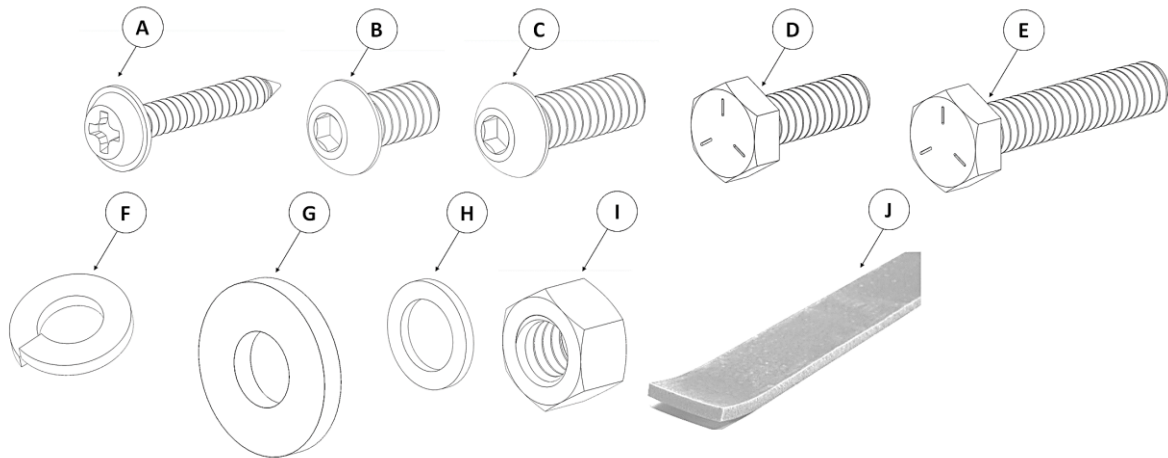
INSTALLATION INSTRUCTIONS

PARTS INCLUDED IN THIS LIST:

ITEM	QTY.	PART NUMBER	DESCRIPTION	ITEM	QTY.	PART NUMBER	DESCRIPTION
A	10	90930A249	#10 x 1 1/8" Rounded Head Screw	F	30	AST-RPR70	1/4" Lock Washer
B	14	AST-T845	1/4" x 1/2" Button Head Screw	G	30	AST-RP02	1/4" Flat Washer
C	32	AST-T835	1/4" x 3/4" Button Head Screw	H	32	ASH-E151	1/4" Flat Washer (Plastic)
D	8	AST-T870	1/4" x 3/4" Hex Bolt	I	30	AST-TU12	1/4" Hex Nut
E	8	AST-T799	1/4" x 1 1/4" Hex Bolt	J	2	SM400-06	Adhesive Backed Foam Tape
5934048T							

ITEM	QTY.	PART NUMBER	DESCRIPTION	ITEM	QTY.	PART NUMBER	DESCRIPTION
A	12	90930A249	#10 x 1 1/8" Rounded Head Screw	F	30	AST-RPR70	1/4" Lock Washer
B	14	AST-T845	1/4" x 1/2" Button Head Screw	G	30	AST-RP02	1/4" Flat Washer
C	32	AST-T835	1/4" x 3/4" Button Head Screw	H	32	ASH-E151	1/4" Flat Washer (Plastic)
D	8	AST-T870	1/4" x 3/4" Hex Bolt	I	30	AST-TU12	1/4" Hex Nut
E	8	AST-T799	1/4" x 1 1/4" Hex Bolt	J	2	SM400-06	Adhesive Backed Foam Tape
5934058T							

ITEM	QTY.	PART NUMBER	DESCRIPTION	ITEM	QTY.	PART NUMBER	DESCRIPTION
A	14	90930A249	#10 x 1 1/8" Rounded Head Screw	F	30	AST-RPR70	1/4" Lock Washer
B	14	AST-T845	1/4" x 1/2" Button Head Screw	G	30	AST-RP02	1/4" Flat Washer
C	32	AST-T835	1/4" x 3/4" Button Head Screw	H	32	ASH-E151	1/4" Flat Washer (Plastic)
D	8	AST-T870	1/4" x 3/4" Hex Bolt	I	30	AST-TU12	1/4" Hex Nut
E	8	AST-T799	1/4" x 1 1/4" Hex Bolt	J	2	SM400-06	Adhesive Backed Foam Tape
5934068T							



TOOLS NEEDED FOR INSTALLATION:

- 5/32" Hex Bit Socket
- 7/16" Socket
- 7/16" Wrench
- Ratchet & Extension
- Drill Motor & Phillips Bit

ESTIMATED TIME FOR INSTALLATION:

1 Hour

GO RHINO®

INSTALLATION INSTRUCTIONS

PARTS INCLUDED IN THIS LIST:

ITEM	QTY.	PART #	DESCRIPTION	ITEM	QTY.	PART #	DESCRIPTION
1	1		Side Rail & Crossbar Cap Bracket Assembly (Driver)	5	1		Side Rail & Crossbar Cap Bracket Assembly (Passenger)
2	5		Crossbar	6	1		Rear cover
3	1		Front Cover	7	1		Rear Base
4	1		Front Base	8	4		Clamp Bracket
				9	4		Strap Bracket

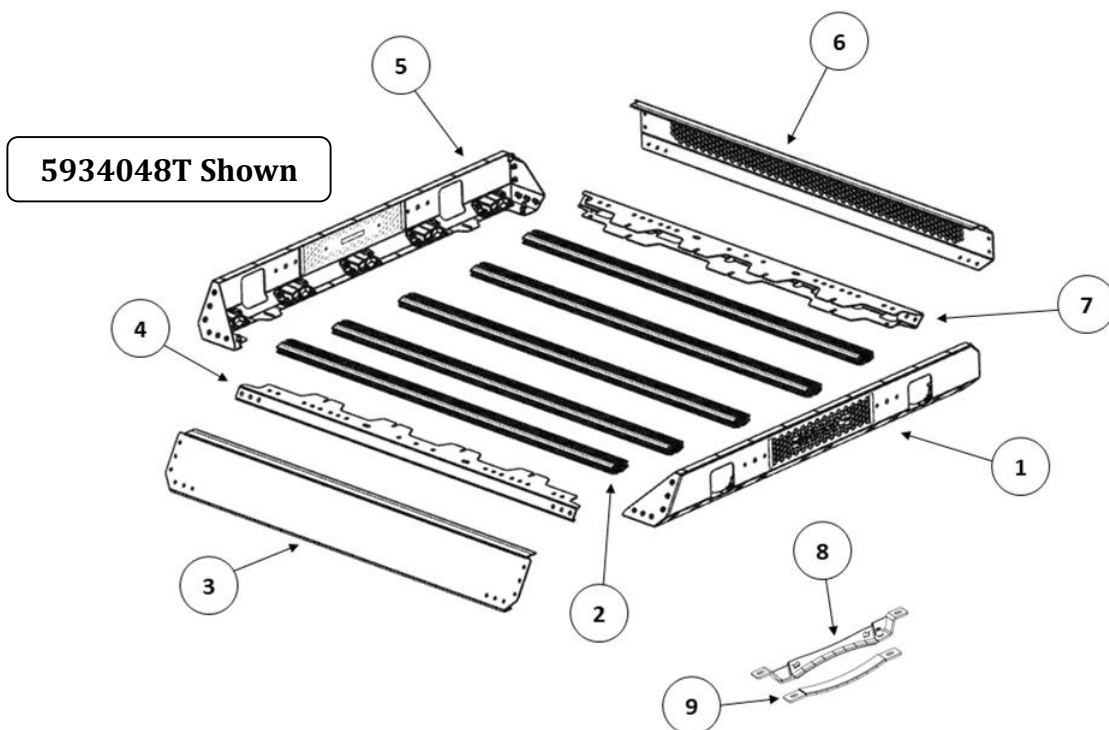
5934048T

ITEM	QTY.	PART #	DESCRIPTION	ITEM	QTY.	PART #	DESCRIPTION
1	1		Side Rail & Crossbar Cap Bracket Assembly (Driver)	5	1		Side Rail & Crossbar Cap Bracket Assembly (Passenger)
2	6		Crossbar	6	1		Rear cover
3	1		Front Cover	7	1		Rear Base
4	1		Front Base	8	4		Clamp Bracket
				9	4		Strap Bracket

5934058T

ITEM	QTY.	PART #	DESCRIPTION	ITEM	QTY.	PART #	DESCRIPTION
1	1		Side Rail & Crossbar Cap Bracket Assembly (Driver)	5	1		Side Rail & Crossbar Cap Bracket Assembly (Passenger)
2	7		Crossbar	6	1		Rear cover
3	1		Front Cover	7	1		Rear Base
4	1		Front Base	8	4		Clamp Bracket
				9	4		Strap Bracket

5934068T

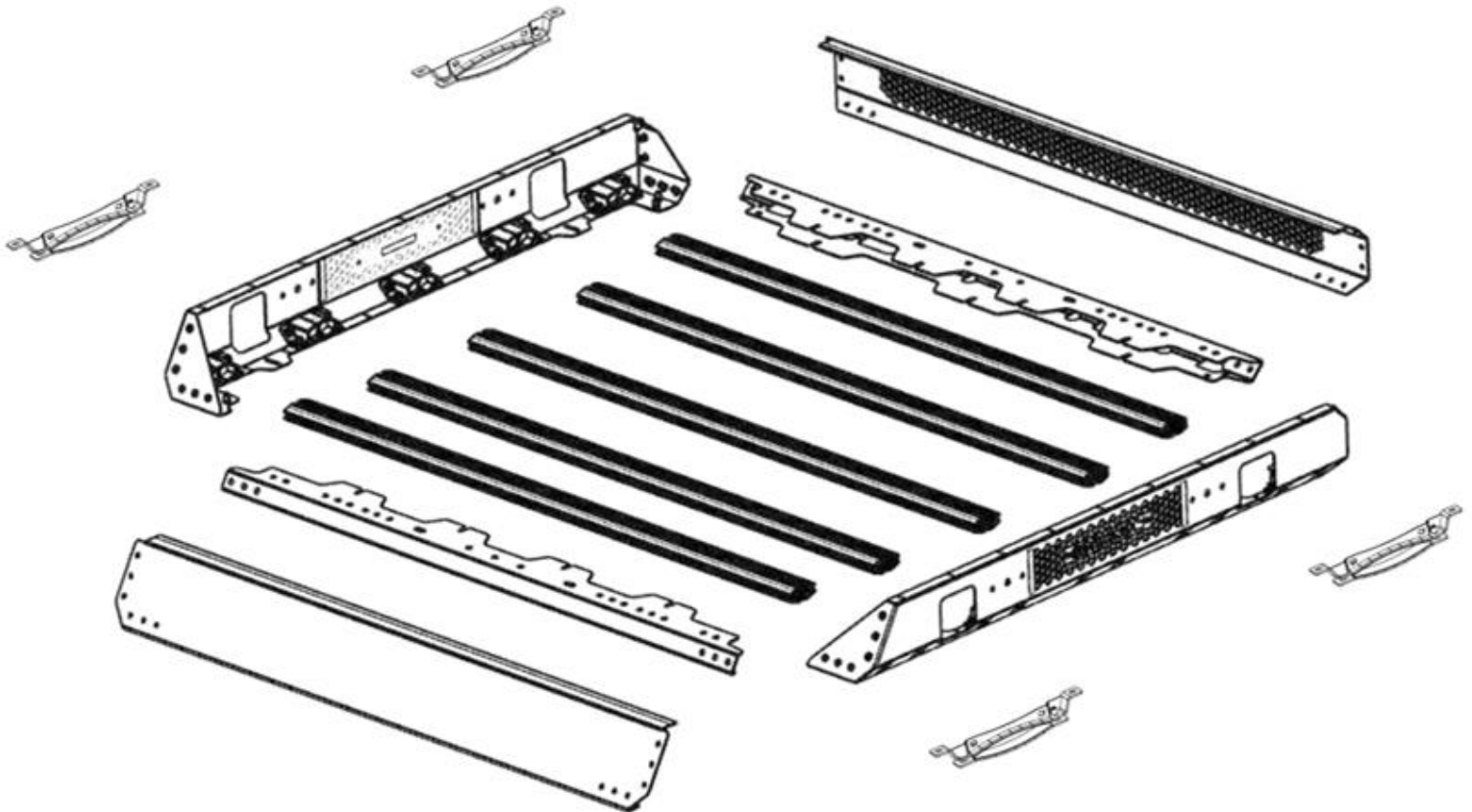


GO RHINO®

INSTALLATION INSTRUCTIONS

Step-1 Lay the SRM roof rack components on a protective surface, (Fig 1). If necessary, use the packing materials to protect the finish on the components.

Fig 1

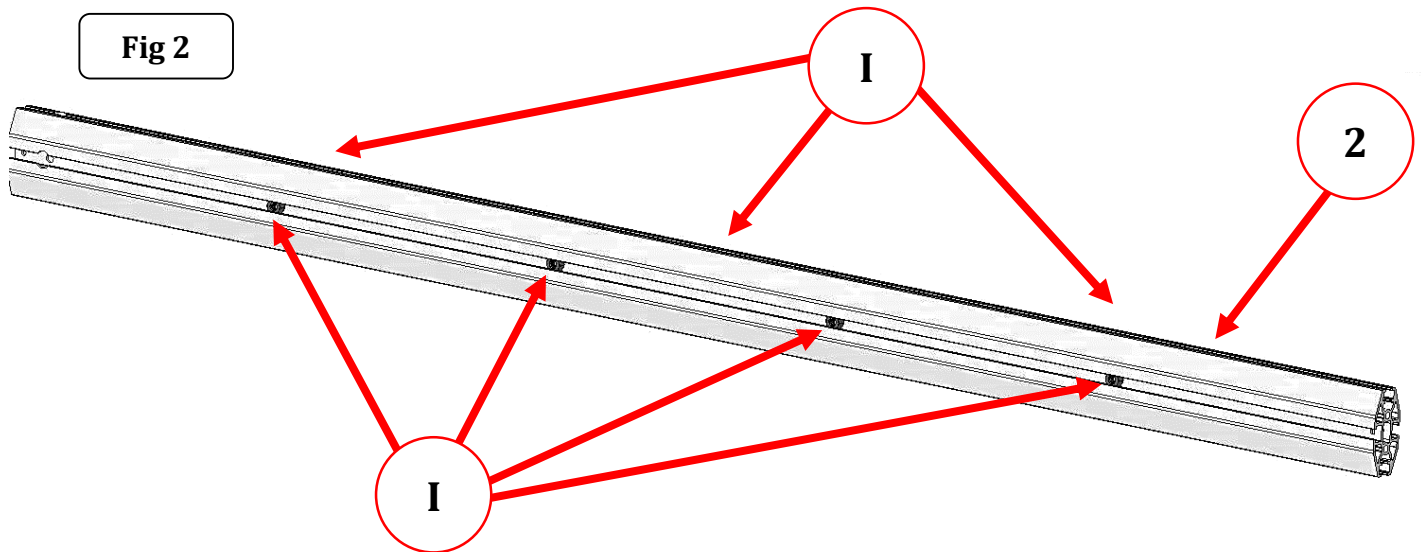


5934048T Shown

GO RHINO®

INSTALLATION INSTRUCTIONS

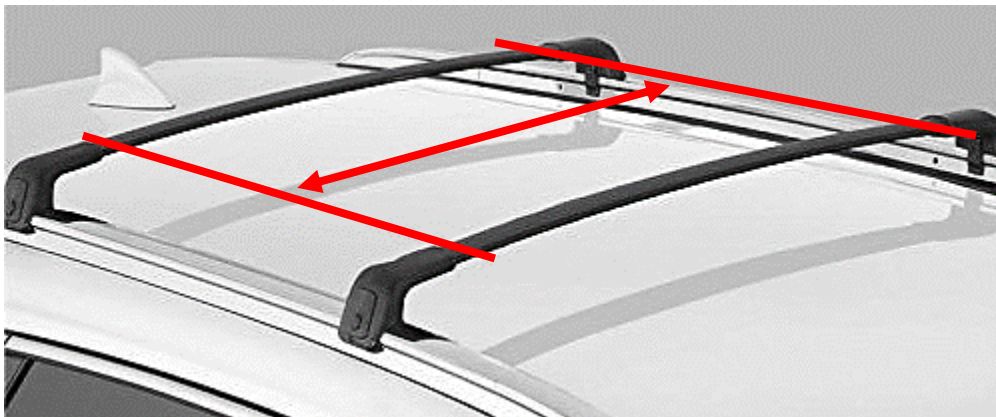
Step-2 Begin the SRM roof rack assembly by placing one of the crossbars on edge and installing (4) ¼" hex nuts in the channel of the crossbar that is facing you, and (3) ¼" hex nuts in the channel on the opposite side of the crossbar, (Fig 2).



If using the OEM roof rack crossbars and the supplied clamp brackets for attachment of the SRM roof rack to the vehicle

Step-2b Measure the width of the OEM roof rack crossbars, (Fig 2b).

Fig 2b

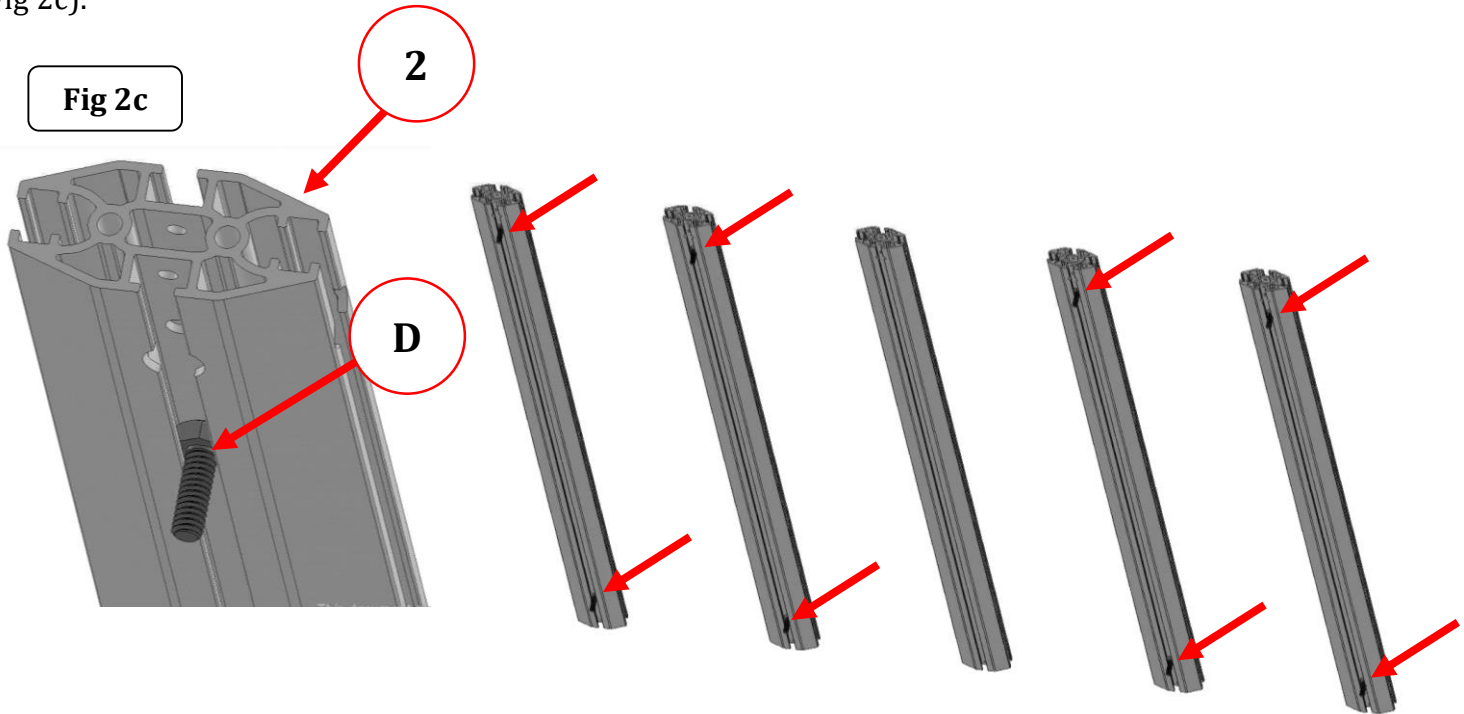


GO RHINO®

INSTALLATION INSTRUCTIONS

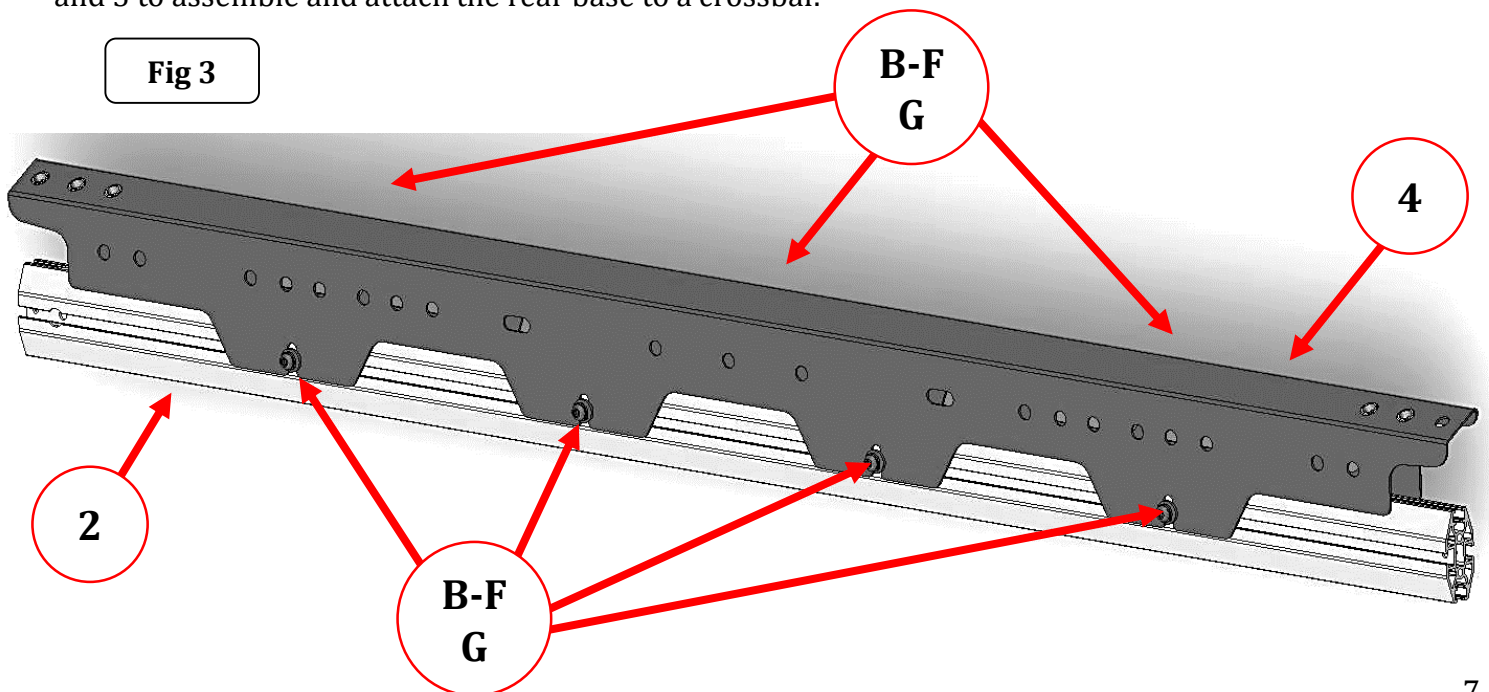
Step-2c Reference the OEM roof rack crossbar measurement, install and position (2) $\frac{1}{4}$ " x $\frac{3}{4}$ " hex bolts in the channel of the 4 crossbars that will be facing down when the SRM roof rack is fully assembled, (Fig 2c).

Fig 2c



Step-3 Place the front base above the crossbar with the top of the front base toward you, align the $\frac{1}{4}$ " hex nuts installed in the crossbar with the slots in the front base, then slide the front base into position on the crossbar. Install $\frac{1}{4}$ " x $\frac{1}{2}$ " button head screws, $\frac{1}{4}$ " lock washers and $\frac{1}{4}$ " flat washers to secure the front base to the $\frac{1}{4}$ " hex nuts in the crossbar. Snug but do not tighten the screws, (Fig 3). Repeat Step 2 and 3 to assemble and attach the rear base to a crossbar.

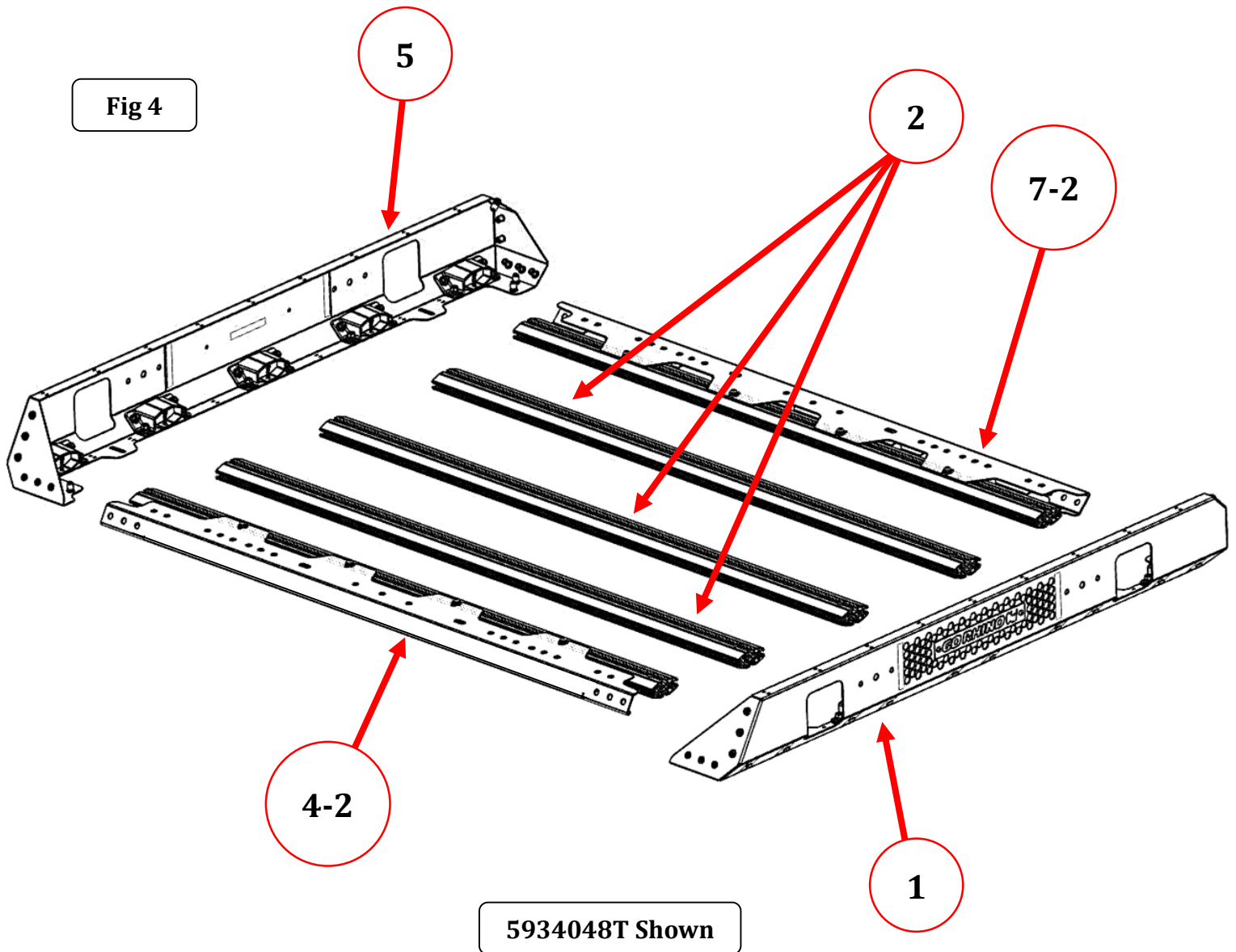
Fig 3



GORRHINO®

INSTALLATION INSTRUCTIONS

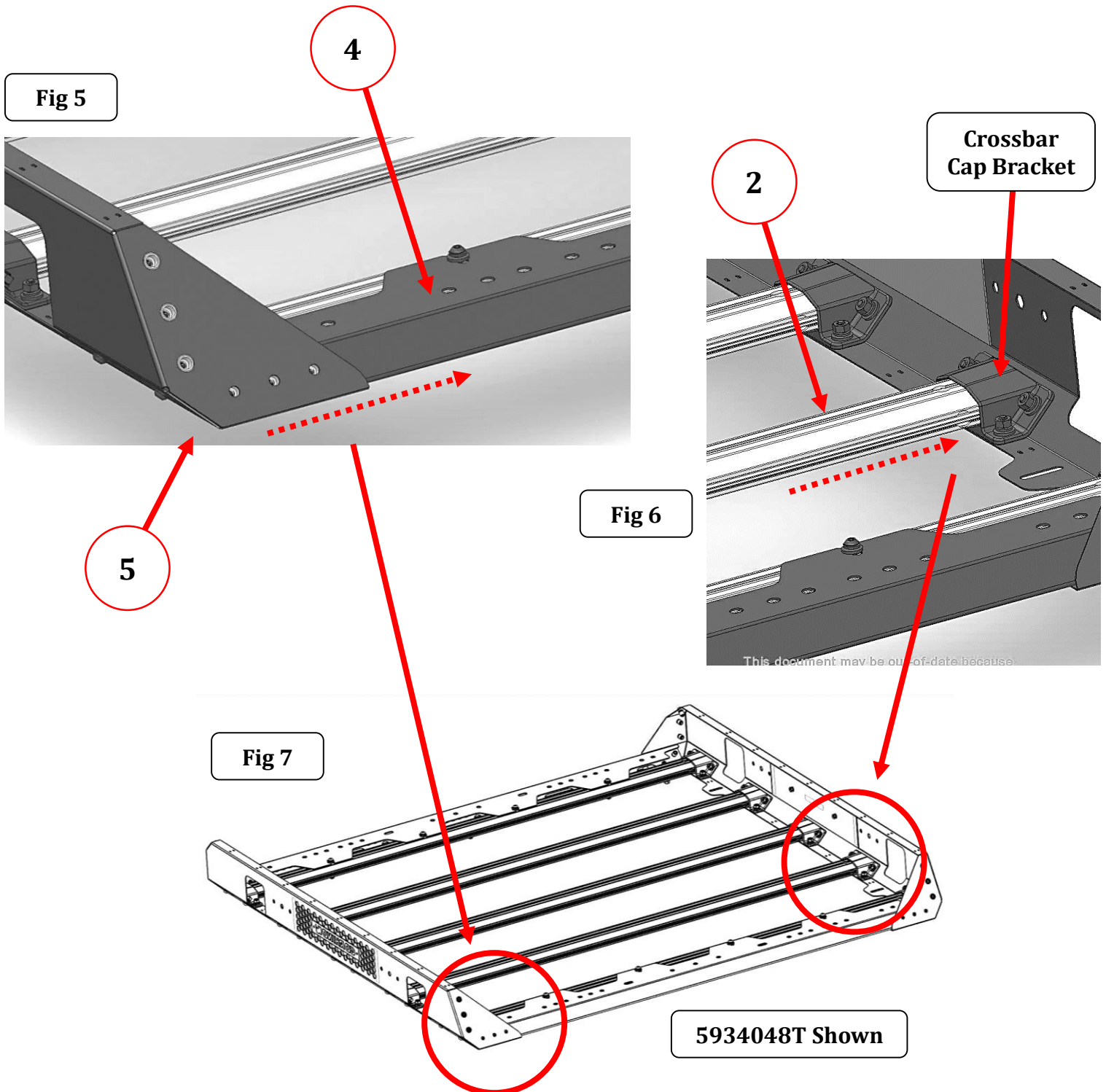
Step-4 Lay the assembled front base and crossbar, assembled rear base and crossbar, and the remaining crossbars in position on a flat protective surface as shown, then place the side rails alongside the crossbars, (Fig 4).



GO RHINO®

INSTALLATION INSTRUCTIONS

Step-5 Slide each cross bar into the crossbar cap brackets that are pre-assembled on the side rails, and at the same time position the side rails over the ends of the front and rear base, (Fig 5, 6 & 7).

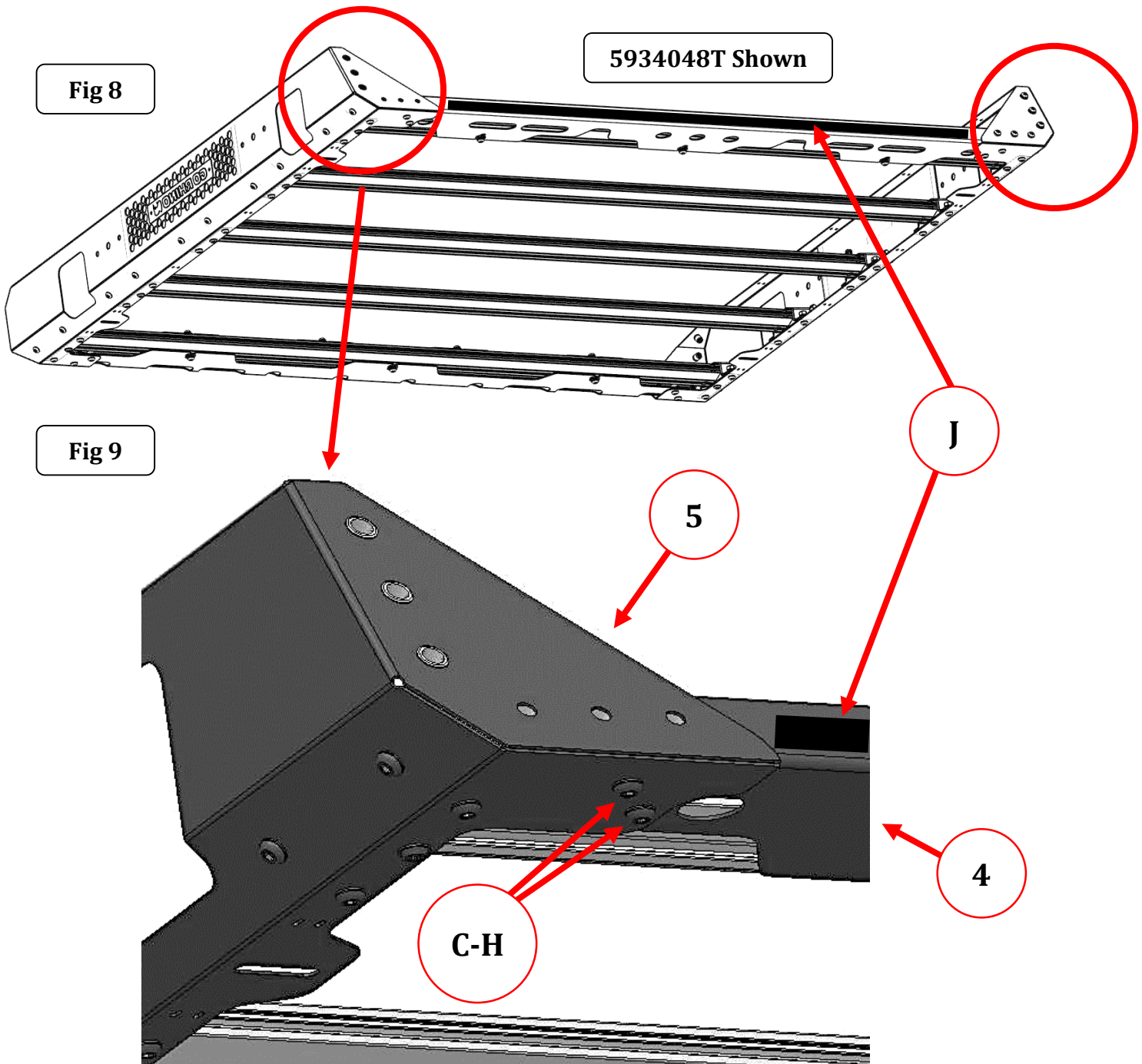


GORRHINO®

INSTALLATION INSTRUCTIONS

Step-6 Align the holes in the side rails with the rivet-nuts installed in the front base then attach each side rail to the front base using (2) 1/4" x 3/4" button head screws and (2) 1/4" plastic flat washers, (Fig 8 & 9). Snug but do not tighten the screws.

Step-7 Remove the paper backing and apply a strip of foam tape to the face of the front base as shown, (Fig 8 & 9). Repeat Step 6 and 7 to attach the side rails to the rear base, and apply the foam tape.



INSTALLATION INSTRUCTIONS

Step-8 Position the front cover in place, align the holes in the front cover with the rivet-nuts in the side rails and front base then attach the each side of the front cover to the side rail and front base using (6) ¼" x ¾" button head screws and ¼" plastic flat washers, (Fig 10 & 11). Snug but do not tighten the screws. Repeat to attach the rear cover to the side rails to the rear base.

Fig 10

5934048T Shown

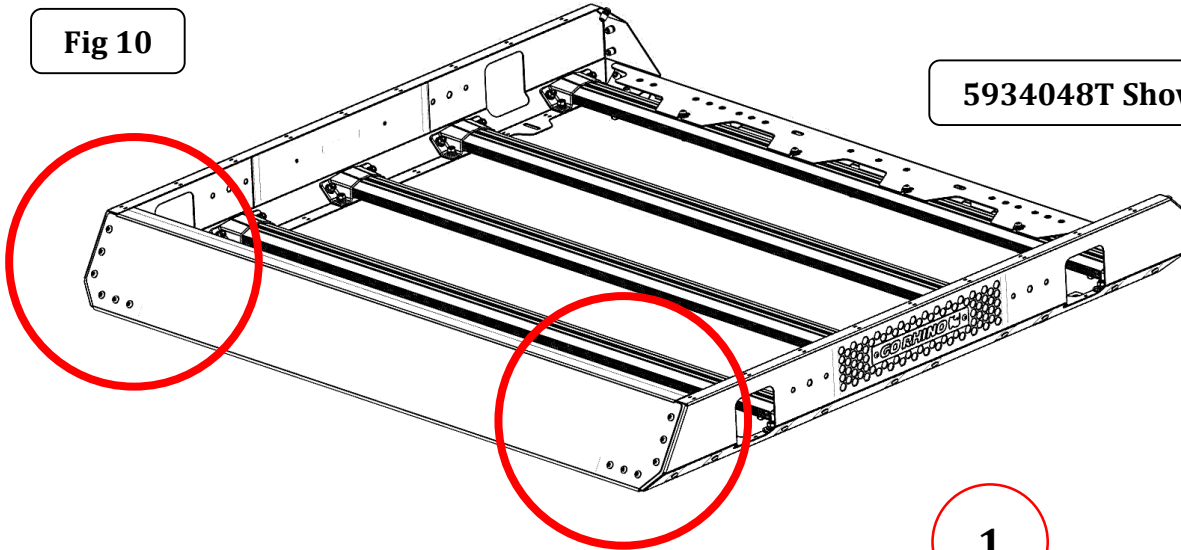
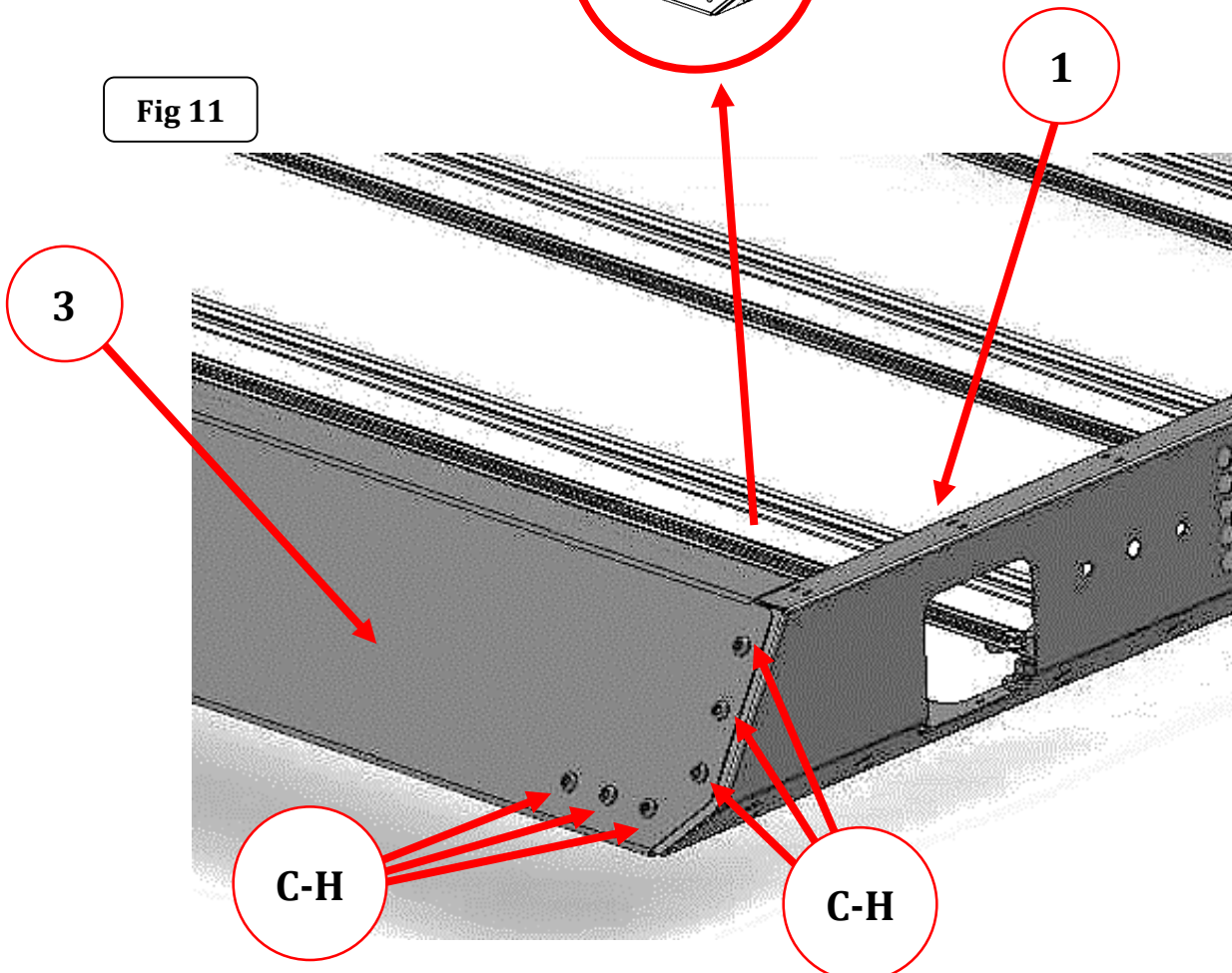


Fig 11



GORRHINO®

INSTALLATION INSTRUCTIONS

Step-9 With assistance position the SRM roof rack assembly with the top side down.

Using a drill motor and Philips bit, install (1) #10 x 1 1/8" rounded head screw in each hole in the bottom of the side rails to secure the crossbars, (Fig 12 & 13). Note: The screws will thread through the hole in the bottom of the side rail, pass through the clear hole in the crossbar cap bracket and thread into the hole in the crossbar.

Fig 12

5934048T Shown

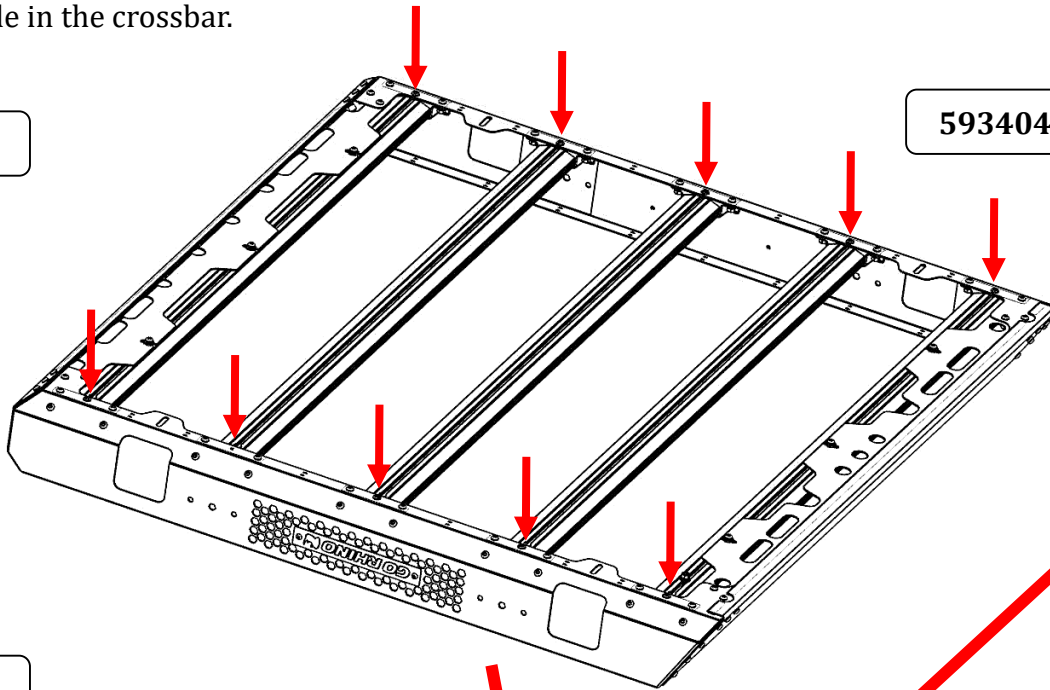
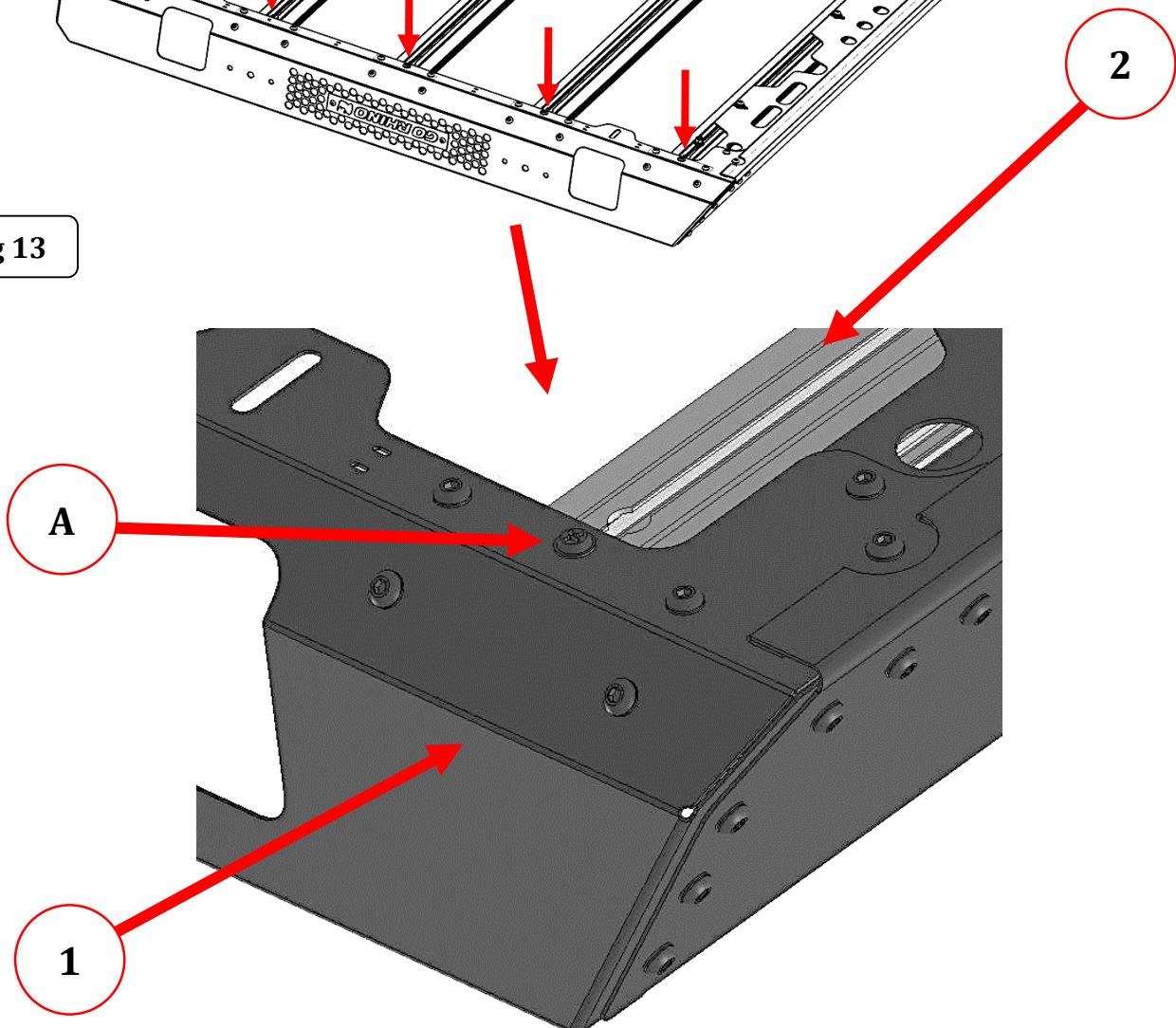


Fig 13



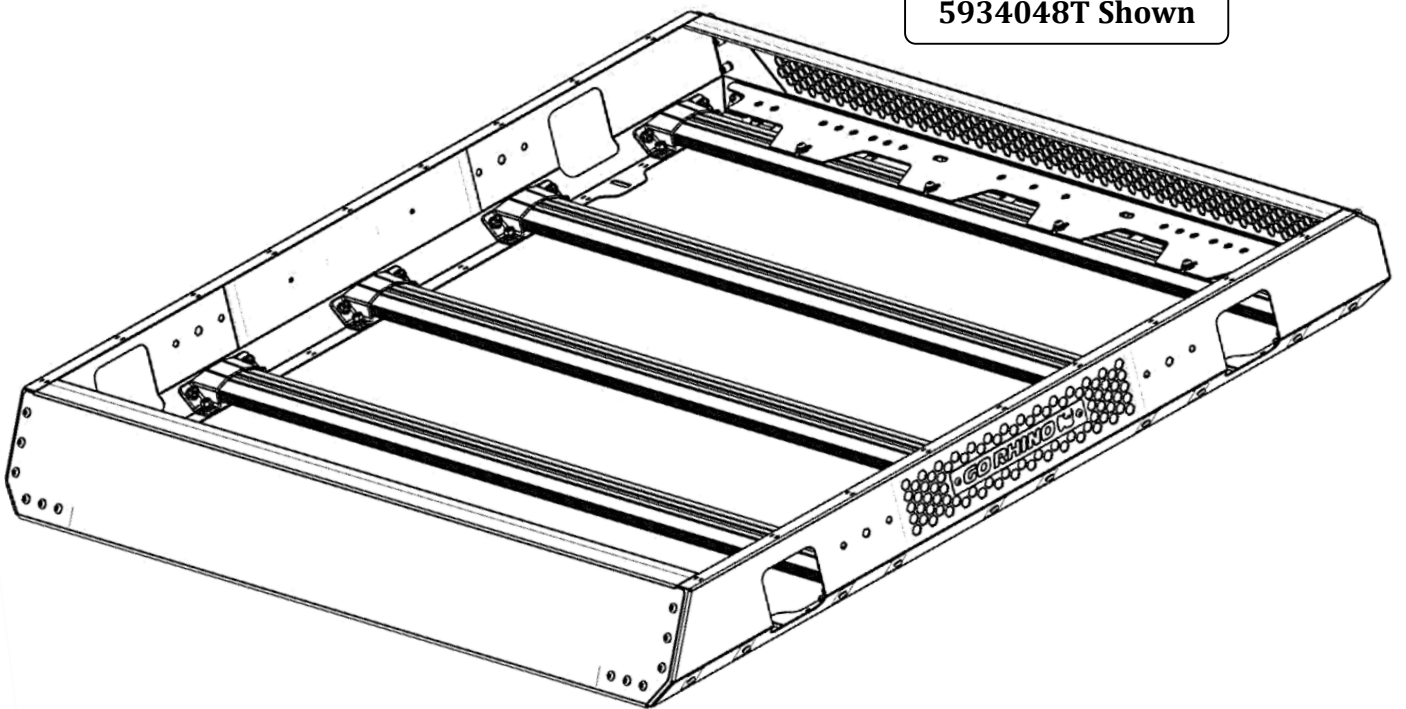
GO RHINO®

INSTALLATION INSTRUCTIONS

Step-10 Adjust and align the SRM roof rack assembly as necessary and fully tighten all hardware.

Fig 14

5934048T Shown



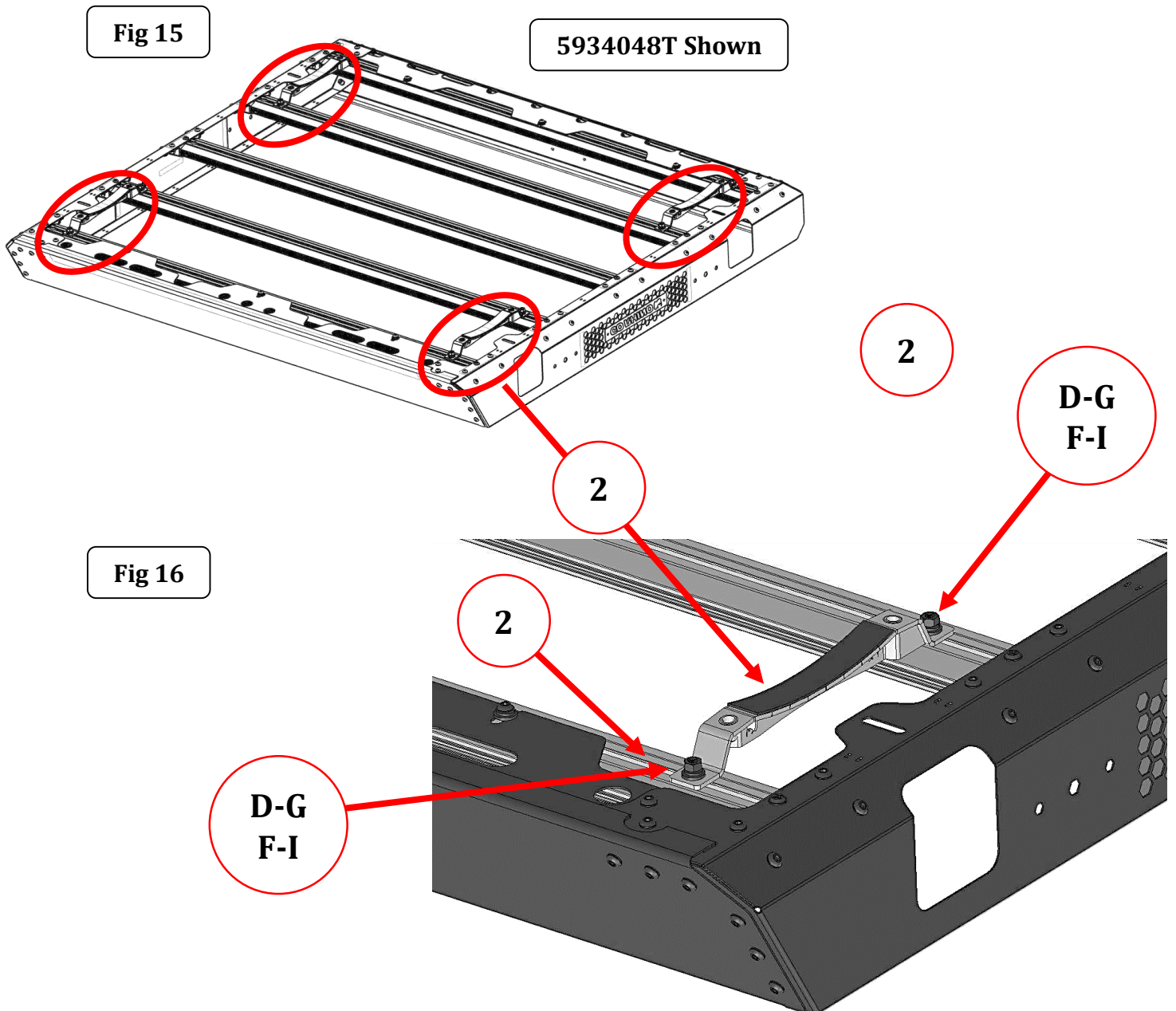
GORRHINO®

INSTALLATION INSTRUCTIONS

If using the OEM roof rack crossbars and the supplied clamp brackets for attachment of the SRM roof rack to the vehicle.

Step-11 With assistance position the SRM roof rack assembly with the top side down, (Fig 15).

Step-12 Attach the clamp brackets to the SRM roof rack crossbars using the previously installed $\frac{1}{4}$ " x $\frac{3}{4}$ " hex bolts, (2) $\frac{1}{4}$ " flat washers, (2) $\frac{1}{4}$ " lock washers and (2) $\frac{1}{4}$ " hex nuts for each clamp bracket, (Fig 16). Snug but do not tighten the hex nuts.



GORRHINO®

INSTALLATION INSTRUCTIONS

Step-13 With assistance place the SRM roof rack assembly so the attached clamp brackets are resting on top of the OEM roof rack crossbars.

Step-14 Position the strap brackets under the OEM roof rack crossbars and attach the strap brackets to the clamp brackets using (2) ¼" x 1 ¼" hex bolts, (2) ¼" lock washers and (2) ¼" flat washers, (Fig 17 & 18). Align the SRM rack assembly as necessary and fully tighten all hardware.

Fig 17

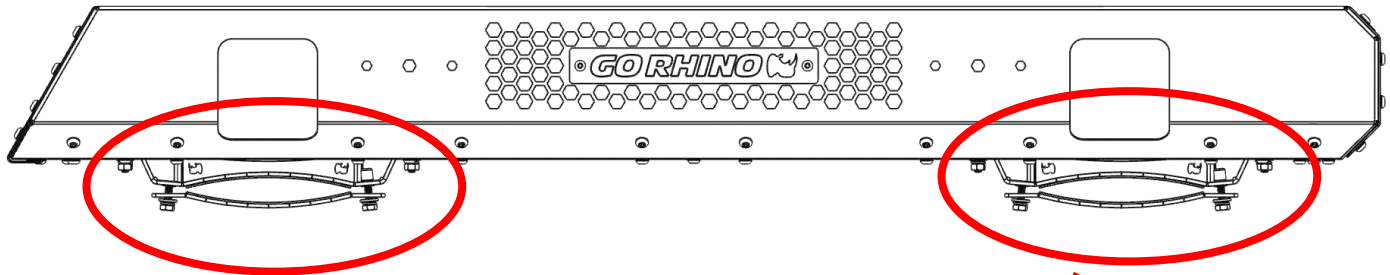


Fig 18

