

GO RHINO®

INSTALLATION INSTRUCTIONS

Product Description:

HS10 Skid Step

HS20 Recoil Step

HS30 Go Rhino Hitch Step

RB10 Hitch Step

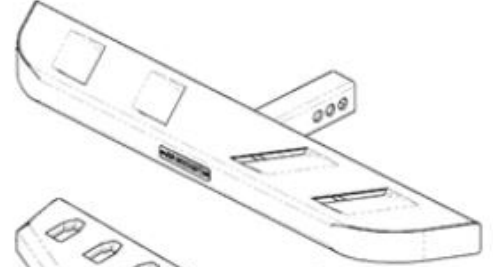
RB20 Hitch Step

Dominator D6 Hitch Step

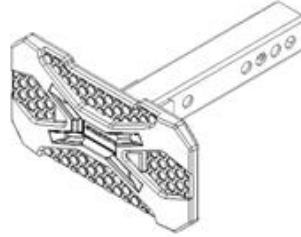
HS1012T



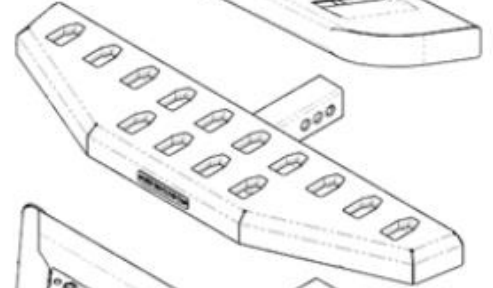
RB610T



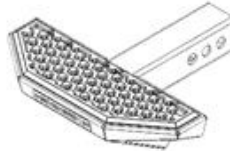
HS2012T



RB620T



HS3012T

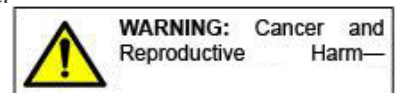


D360T



PRODUCT SAFETY & LEGAL DISCLAIMER

- **IMPORTANT READ ALL INSTRUCTIONS CAREFULLY BEFORE INSTALLING, FAILURE TO DO SO MAY CAUSE PERSONAL INJURY OR DAMAGE TO PRODUCT AND/OR PROPERTY.**
- **Review the product package and contents prior to beginning the installation.** Take care when opening the packaging and removing items. If a return is needed you will want to return the product in its original packaging if possible.
- This instruction guide is provided as a GENERAL installation guide, some vehicles vary dimensionally and may require additional steps.
- Test fit the product on the vehicle prior to any third party modifications and or finishing. The manufacturer and/or distributors do not accept responsibility for third party charges, labor and or third part replacement modifications. Some modifications may void the factory warranty.
- Exercise due-diligence when installing this product. The manufacturer and distributors of this product do not accept any responsibility for vehicle damage or personal injury resulting from the installation of this product. Careless installation and operation can result in serious injury or equipment damage.
- This product is for general off-road use. All liability for installation and use rests with the owner/operator.
- **INSTALLER:** Once installation is complete, please return this guide along with other documentation included in this product back to the consumer for future reference. The manufacturer/distributors of this product do not guarantee this particular version will be available at a later date.





INSTALLATION INSTRUCTIONS

INJURY HAZARD

Please complete a shop and tool inspection prior to beginning the installation.

- Always make sure you have a clean, dry and well lit work area.
- Always remove jewelry, loose fitting clothing and wear protective gloves and eye protection.
- Always use extreme caution when jacking or raising a vehicle for work. Set the emergency brake and use tire/wheel blocks and jack stands. Refer to the vehicle manufacturer hand book. Utilize the vehicle manufacturers designated lifting points.
- Always use appropriate and adequate care in lifting parts during disassembly and installation. Seek help in lifting heavy or large items into place. Utilize jacks and or lifting devices when available.
- Always insure products are secure during disassembly and installation.
- Always wear eye protection and take steps to protect any exposed skin during the installations. Drilling, cutting and grinding plastic and metal may create flying particles that can cause injury.
- Always use extreme caution when drilling, cutting and or grinding on a vehicle. Thoroughly inspect the area to be drilled, on both sides of material, prior to modification and relocate any objects that may become damaged.
- Always assemble and tighten all fasteners per the installation instructions.
- Always route electrical cables carefully. Avoid moving parts, parts that may become hot and rough or sharp edges.
- Always insulate and protect all exposed wiring and electrical connections.

MAINTENANCE AND CARE

- Always perform regular inspections and maintenance on mounts and related fasteners.
- Periodically check and tighten all fasteners.
- Stripped, fractured, or bent fasteners must be replaced.
- After washing the vehicle make sure to fully dry all surfaces.
- In areas with cold temperatures make sure to wash the product often to remove harmful materials used on road ways.
- Never use abrasive cleaners or polish compounds. Clean with a gentle soap and water. If you use wax use a non-abrasive automotive wax such as pure carnauba wax.

WARNING

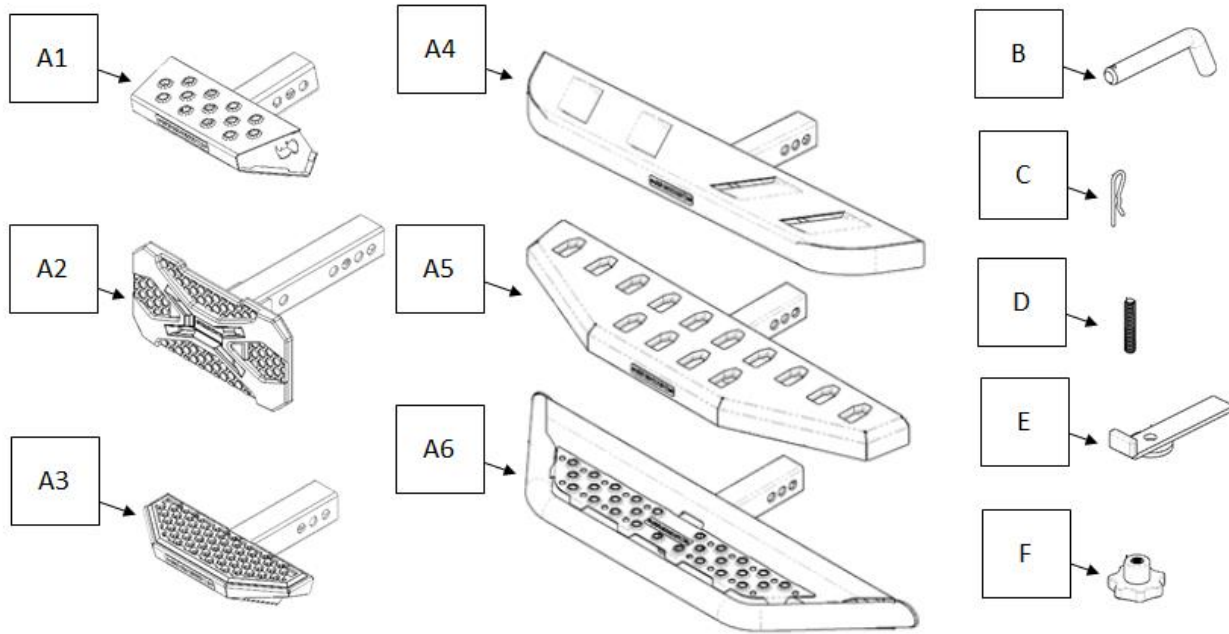
Some products have been designed to work together with factory rear sensor systems, factory forward facing sensor systems and factory air bags.

- Installation of some of these products may alter the factory sensor system performance.
- Factory sensors may read shackles or hooks protruding from the fairlead and or tow hooks.
- All sensor testing is completed by Go Rhino Products and or third party testing labs on modified vehicles.
- Sensor sensitivity, factory sensor housing, orientation, and operating conditions are all variables that will influence functionality of the sensors.
- Installation of some product may effect the factory air bag systems.
- Some products allow the use of third party products such as winches, shackles, hooks, etc. Follow the respective manufacturers operating instructions for use with our products.
- Make sure to fully understand the product, it's intended use and operation prior to use.
- Above all... be safe!

GO RHINO®

INSTALLATION INSTRUCTIONS

PARTS INCLUDED IN THIS LIST:



HS1012T-SKID STEP		
ITEM	QTY.	DESCRIPTION
A1	1	Hitch Step

H2012T-RECOIL STEP		
ITEM	QTY.	DESCRIPTION
A2	1	Hitch Step

HS3012T- GO RHINO HITCH STEP		
ITEM	QTY.	DESCRIPTION
A3	1	Hitch Step

(RB610PC-T) RB10 HITCH STEP		
ITEM	QTY.	DESCRIPTION
A4	1	Hitch Step
B	1	5/8" Hitch Pin
C	1	Cotter Pin
D	1	Threaded Rod
E	1	Anti Rattle Plate
F	1	Threaded Knob

(RB620PC-T) RB20 HITCH STEP		
ITEM	QTY.	DESCRIPTION
A5	1	Hitch Step
B	1	5/8" Hitch Pin
C	1	Cotter Pin
D	1	Threaded Rod
E	1	Anti Rattle Plate
F	1	Threaded Knob

(D360T) DOMINATOR D6 HITCH STEP		
ITEM	QTY.	DESCRIPTION
A6	1	Hitch Step
B	1	5/8" Hitch Pin
C	1	Cotter Pin
D	1	Threaded Rod
E	1	Anti Rattle Plate
F	1	Threaded Knob

Note: HS1012, HS2012 & HS3012 do not include a Hitch Pin and Cotter Pin. They are sold separately.

Go Rhino recommends you, the installer, read this installation instruction manual from front to back before installing the product.

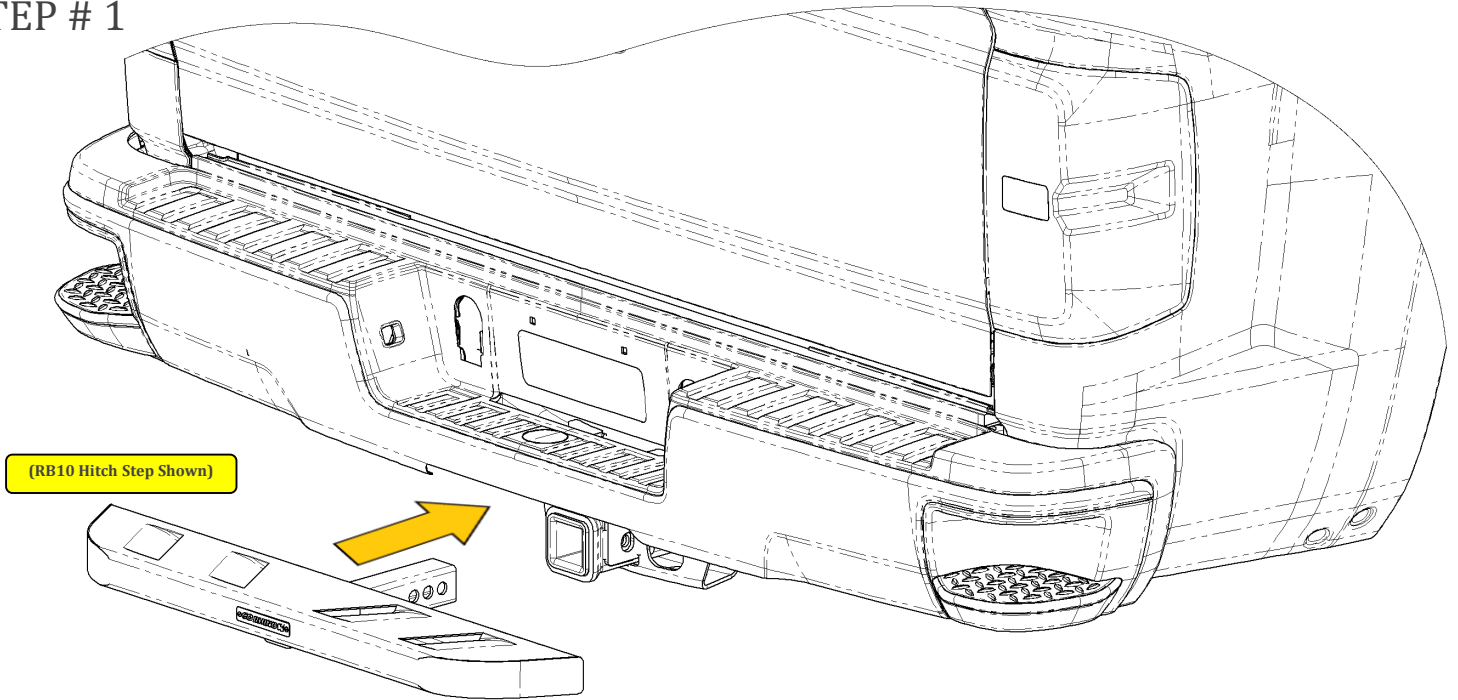
ESTIMATED TIME FOR INSTALLATION: 10 MINUTES

If you need installation service for your new product, call the authorized distributor from whom you purchased the product or an authorized installation service company which can be found by calling toll free 1-888-427-4466

GO RHINO®

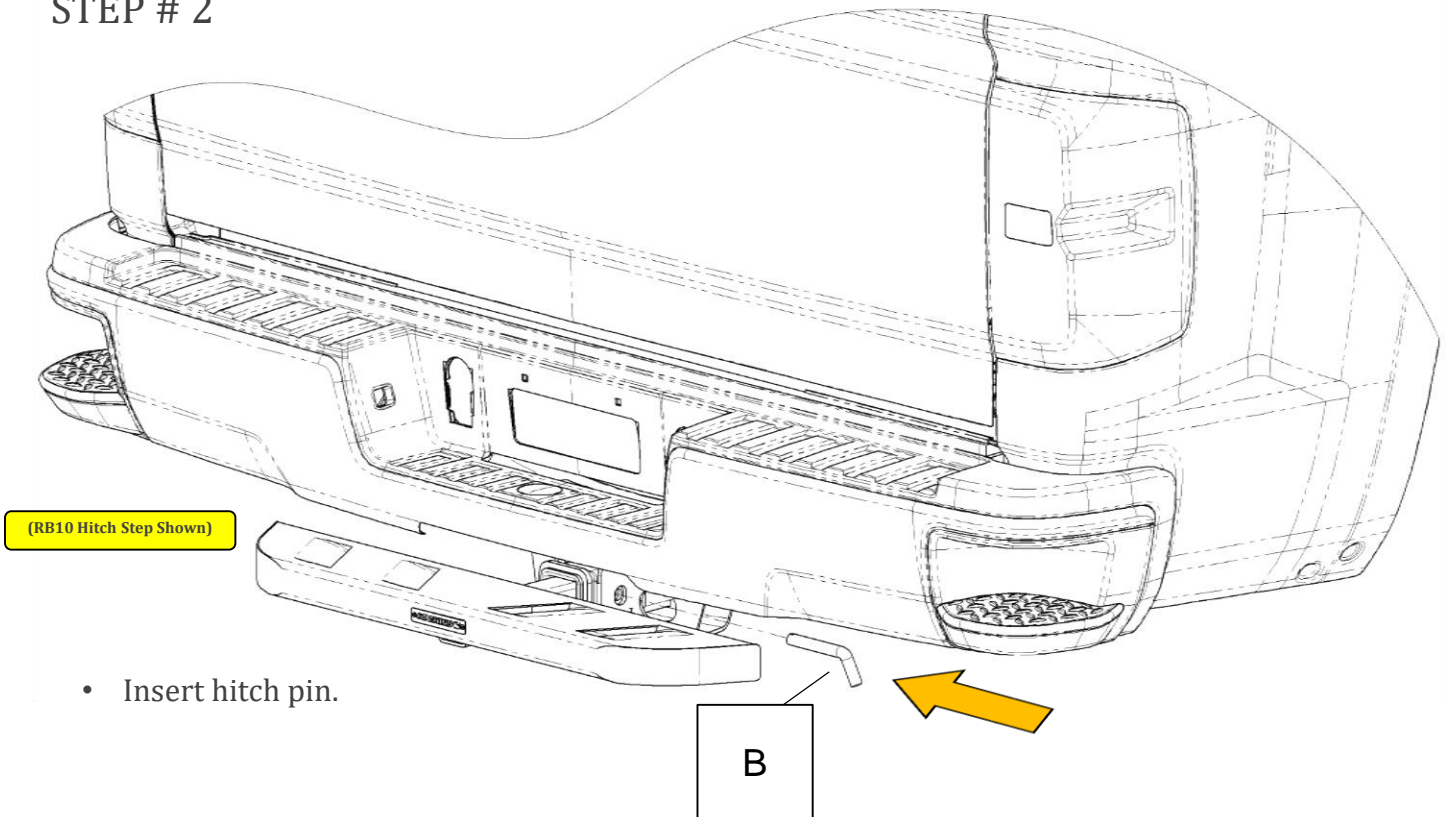
INSTALLATION INSTRUCTIONS

STEP # 1



- Insert Hitch Step into hitch.

STEP # 2

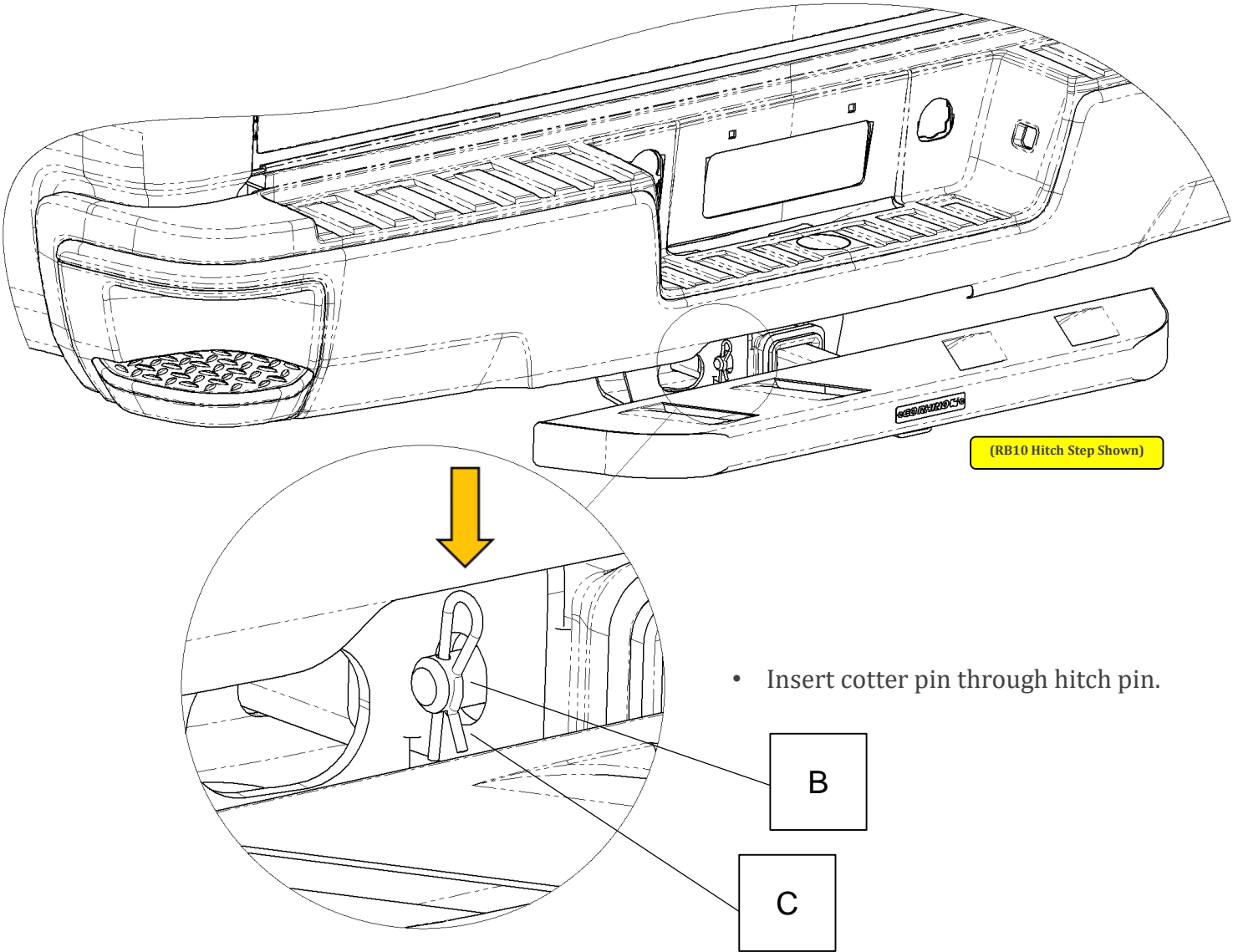


- Insert hitch pin.

GO RHINO®

INSTALLATION INSTRUCTIONS

STEP # 3

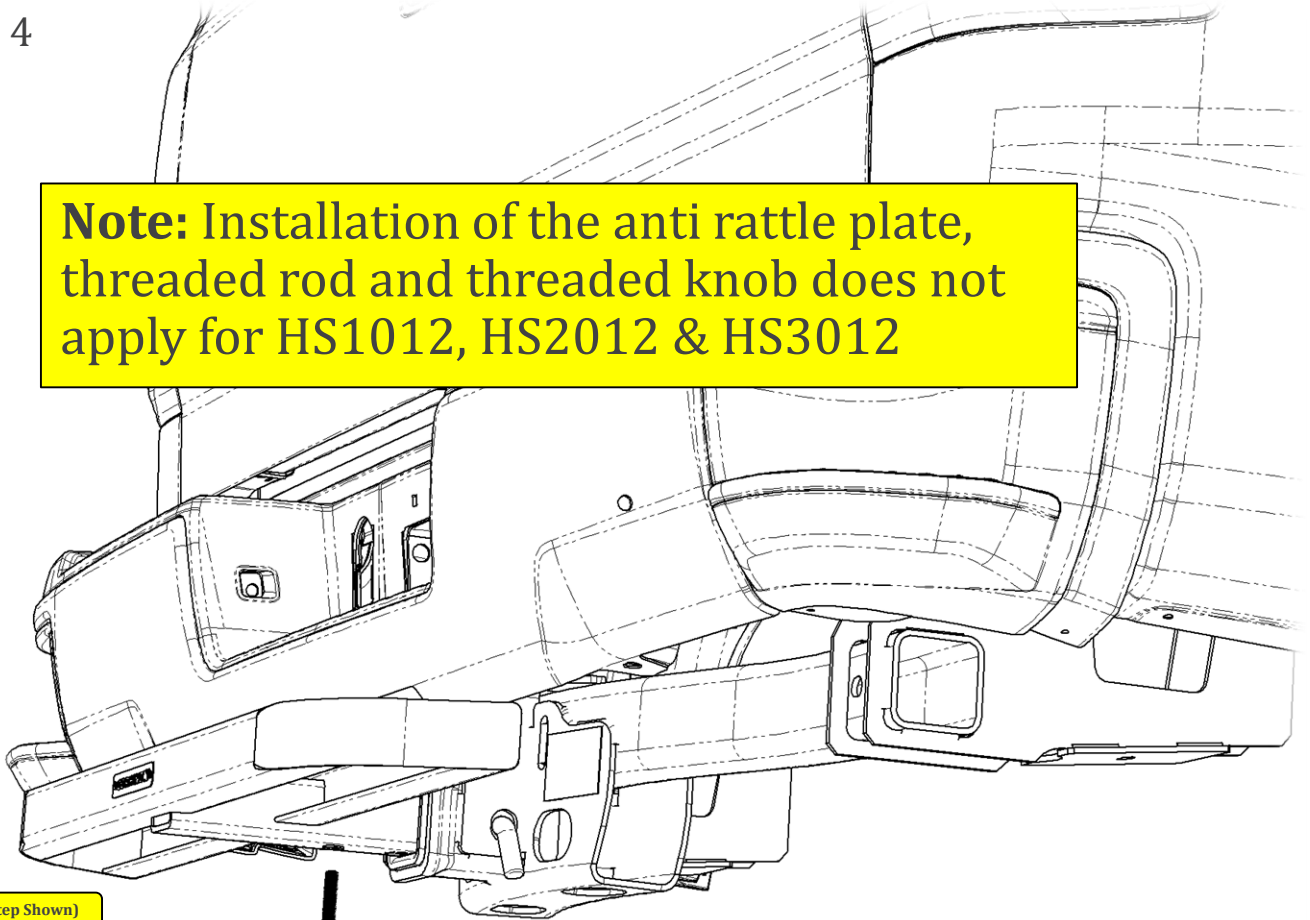


GORRHINO®

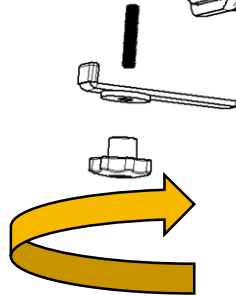
INSTALLATION INSTRUCTIONS

STEP # 4

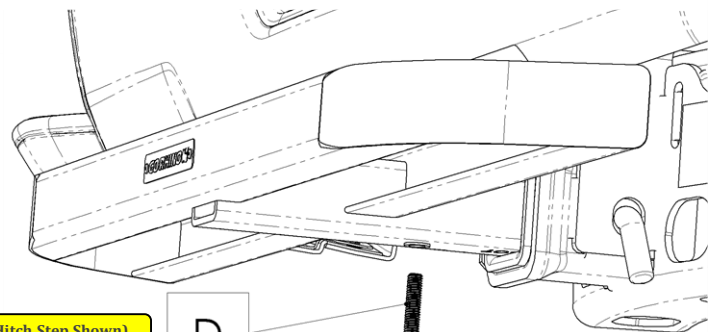
Note: Installation of the anti rattle plate, threaded rod and threaded knob does not apply for HS1012, HS2012 & HS3012



(RB10 Hitch Step Shown)



- Install anti rattle plate using threaded rod and threaded knob as shown.



(RB10 Hitch Step Shown)

D

E

F