

# INSTALLATION INSTRUCTIONS

## MAIN BAR TIPO B

90002, 91002, 91502, 92002, 93002, 94002, 95002, 96002, 97002 y 98002

PS/B/C

### Parts List:

- |                                   |                              |                      |
|-----------------------------------|------------------------------|----------------------|
| a) 1- Driver Leg                  | i) 4- 7/16" Plastic cap      | <b>Not Includes:</b> |
| b) 1- Passenger Leg               | 8- 3/8x1 1/2" Flat washer    | <b>Kicker</b>        |
| c) 1- Cross bar                   | 8- 3/8" Hex nut              |                      |
| d) 2- Mounting plate              | 4- 3/8x 1 1/2" Carriage bolt |                      |
| <b>(1) Hardware kit includes:</b> | 4- 3/8x 5" Carriage bolt     |                      |
| e) 8- Small plastic washer        | 2- White plastic washer      |                      |
| f) 2- Round plastic gasket        | 2- 3/8x1" Hex head bolt      |                      |
| g) 2- Rectangle plastic gasket    | 2- 3/8x1 1/2" Flat head bolt |                      |
| h) 2- 7/16" X 1 1/8 Rubber cap    | 2- 3/8" Flat washer          |                      |

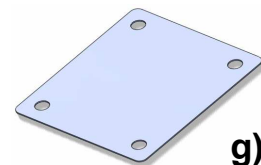
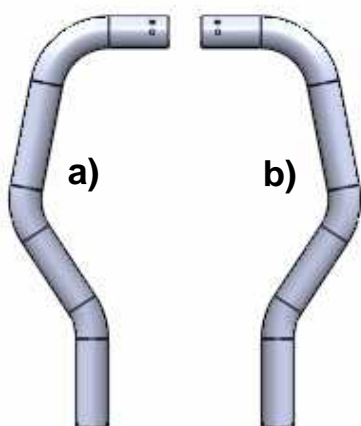
### Required tools:

9/16" Wrench	Hand drill	Pencil
7/32" allen Wrench	7/16" Bit	

### Instructions:

Aprox. Installation time: 50 min.

1. Read carefully and understand instructions before beginning installation. If you can not find any listed part, please stop installation and call to your distributor to get the missing parts.

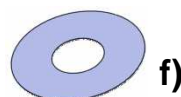


c)

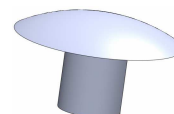
g)



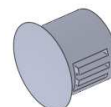
e)



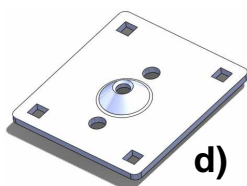
f)



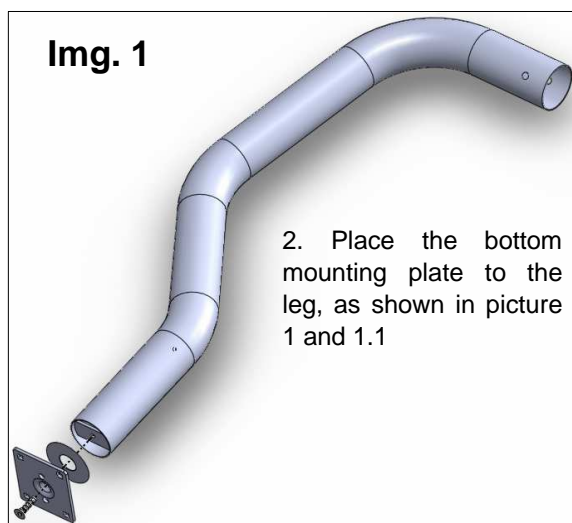
h)



i)

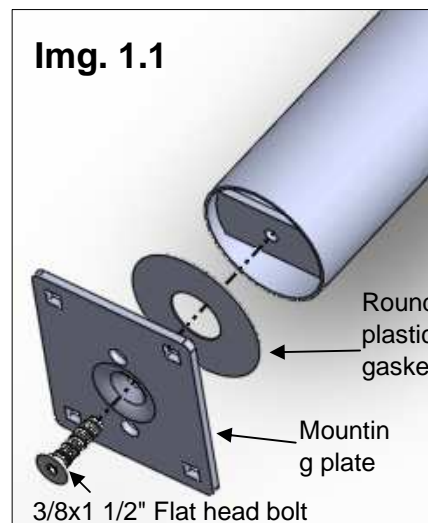


d)



Img. 1

2. Place the bottom mounting plate to the leg, as shown in picture 1 and 1.1



Img. 1.1

Round plastic gasket

Mounting plate

3/8x1 1/2" Flat head bolt

### Cleaning and care instructions:

Keep your product clean. Do not use abrasive cleaners or polish. We recommend only non-abrasive automotive wax such as pure carnauba to avoid scratches or rust.

Design:

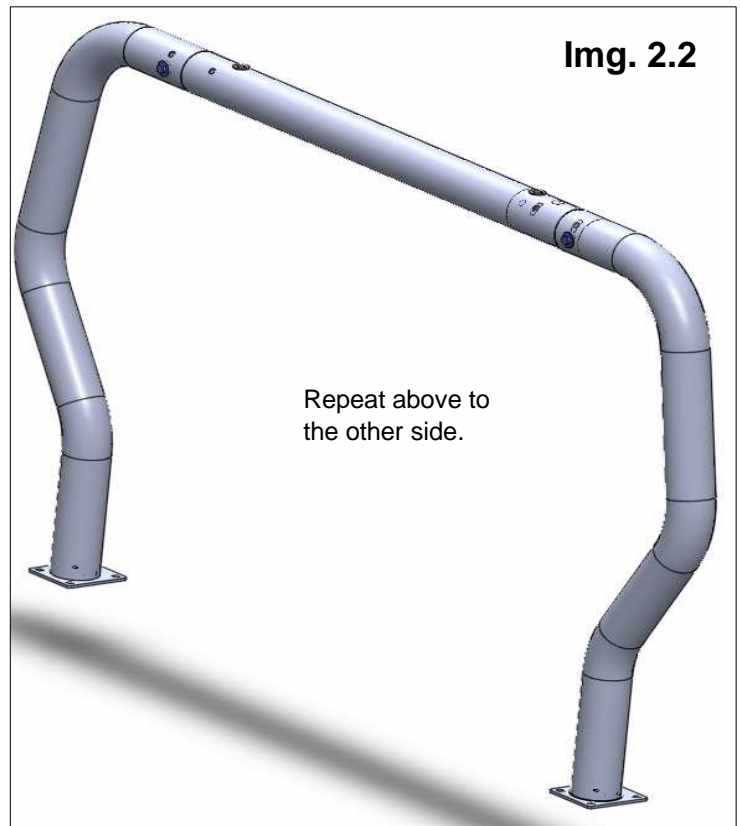
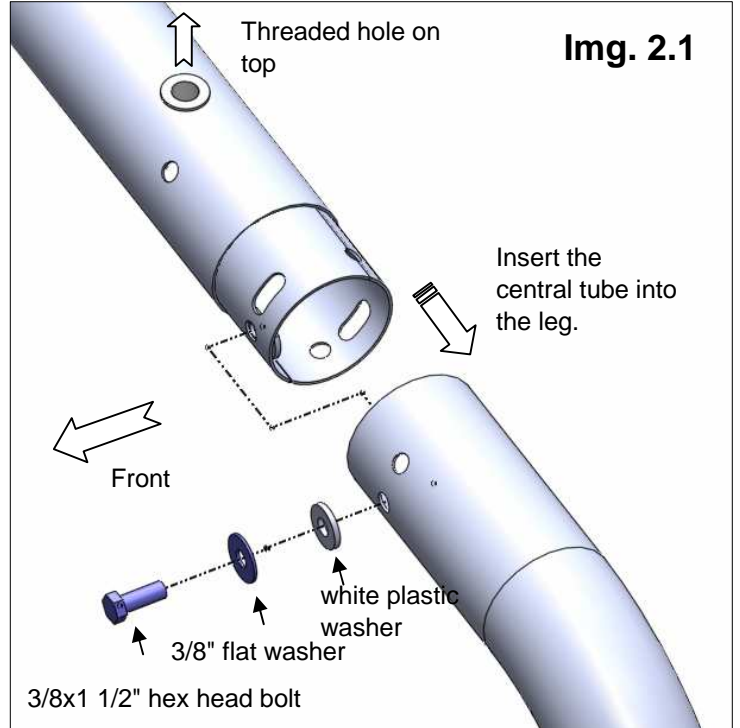
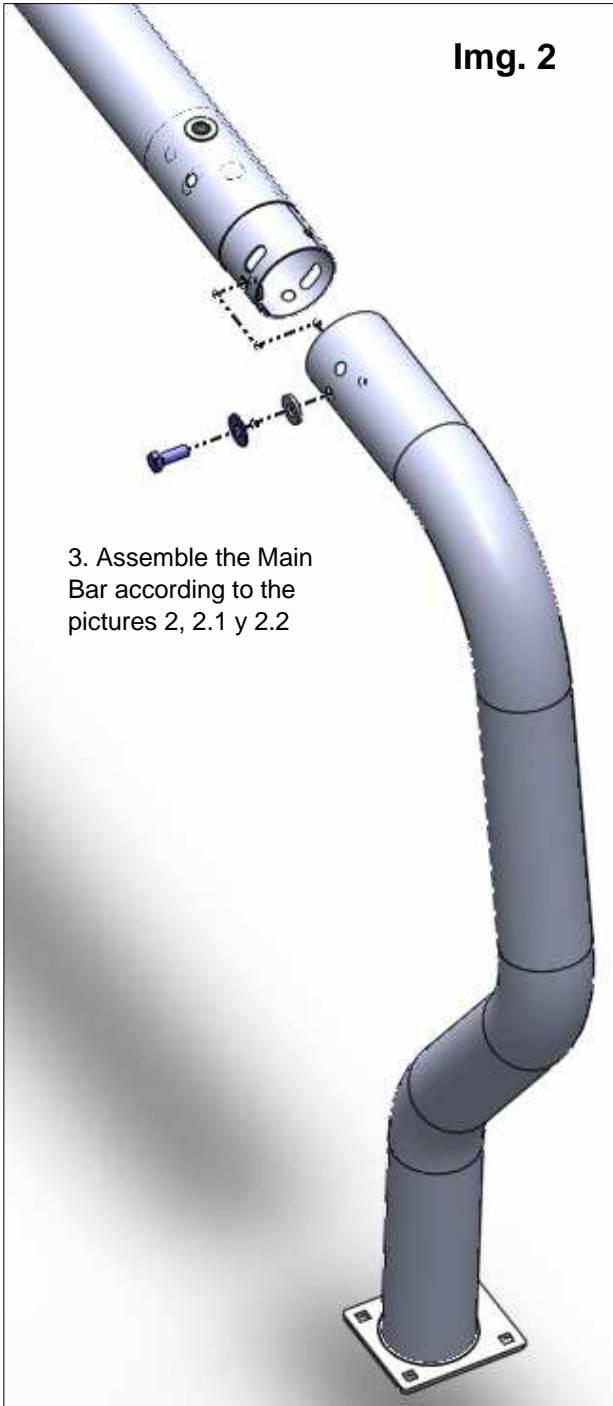
Quality:

# INSTALLATION INSTRUCTIONS

## MAIN BAR TIPO B

90002, 91002, 91502, 92002, 93002, 94002, 95002, 96002, 97002 y 98002

PS / B / C



### Cleaning and care instructions:

Keep your product clean. Do not use abrasive cleaners or polish. We recommend only non-abrasive automotive wax such as pure carnauba to avoid scratches or rust.

Design:

Quality:

## INSTALLATION INSTRUCTIONS

### MAIN BAR TIPO B

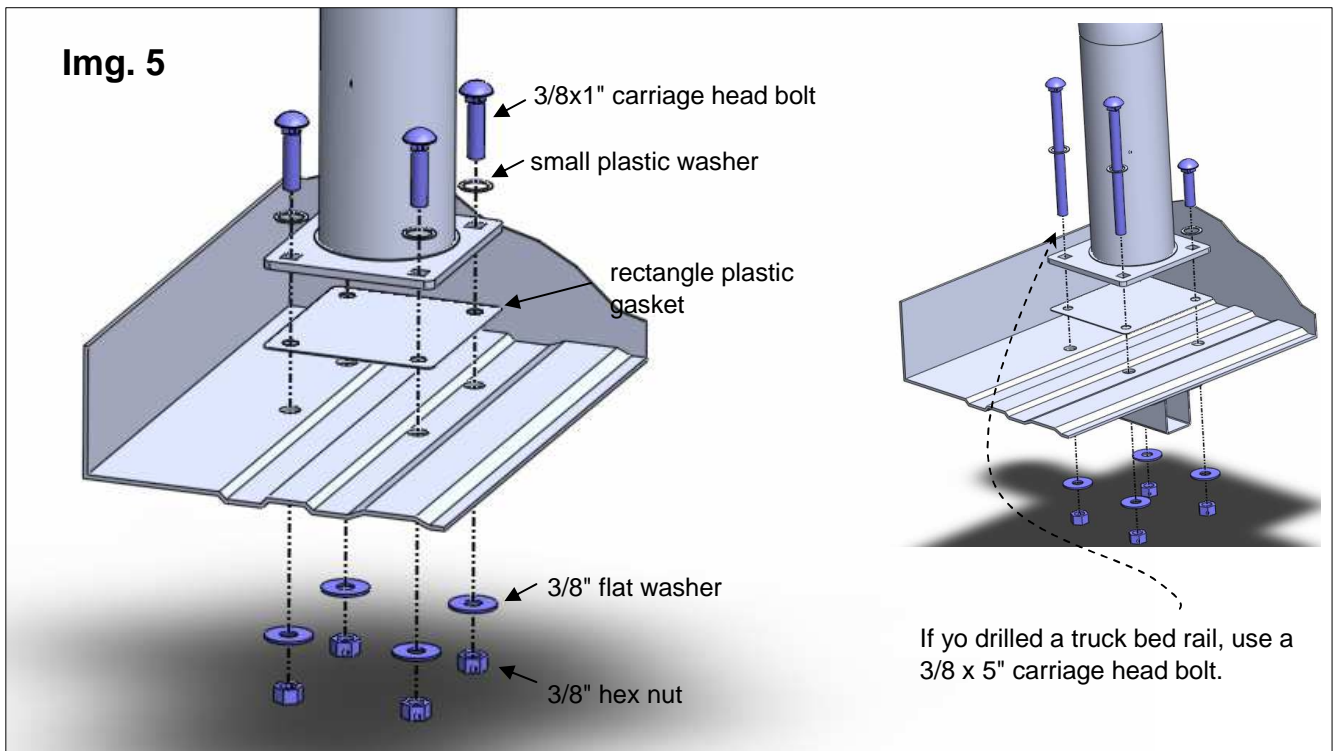
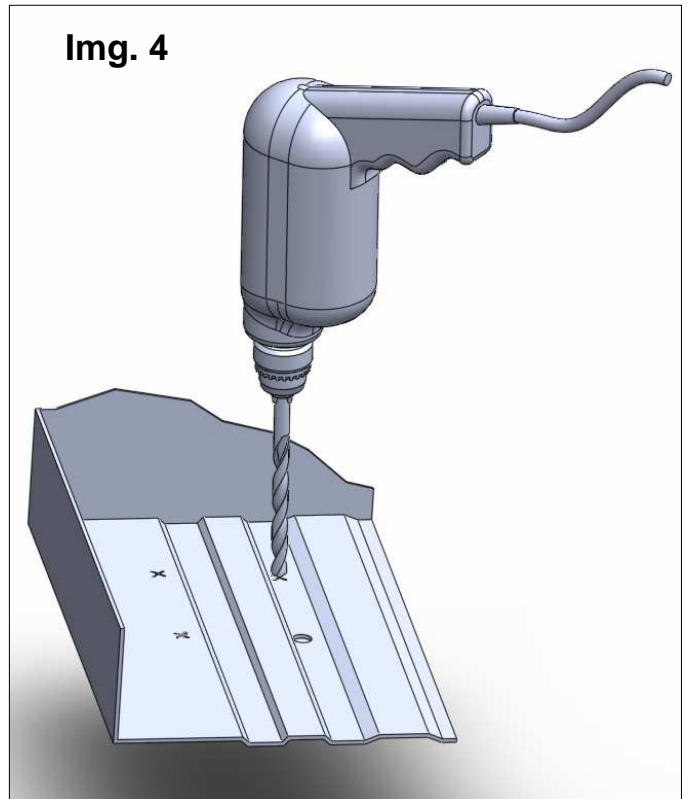
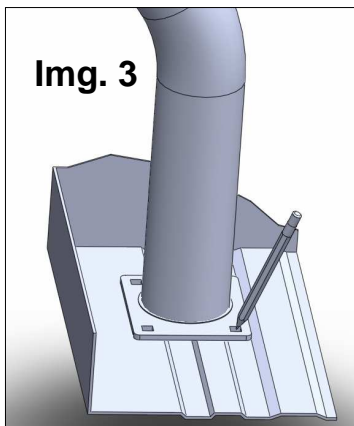
90002, 91002, 91502, 92002, 93002, 94002, 95002, 96002, 97002 y 98002

PS/B/C

4. Place bar assembly onto the truck bed floor and mark with a pencil the holes to drill at driver and passenger side. Image 3.

5. Proceed to drill where the marks were made. Image 4.

6. Place the bar assembly and secure to the vehicle using 3/8 x 1" carriage head bolt and corresponding hardware. Image 5



#### Cleaning and care instructions:

Keep your product clean. Do not use abrasive cleaners or polish. We recommend only non-abrasive automotive wax such as pure carnauba to avoid scratches or rust.

Design:

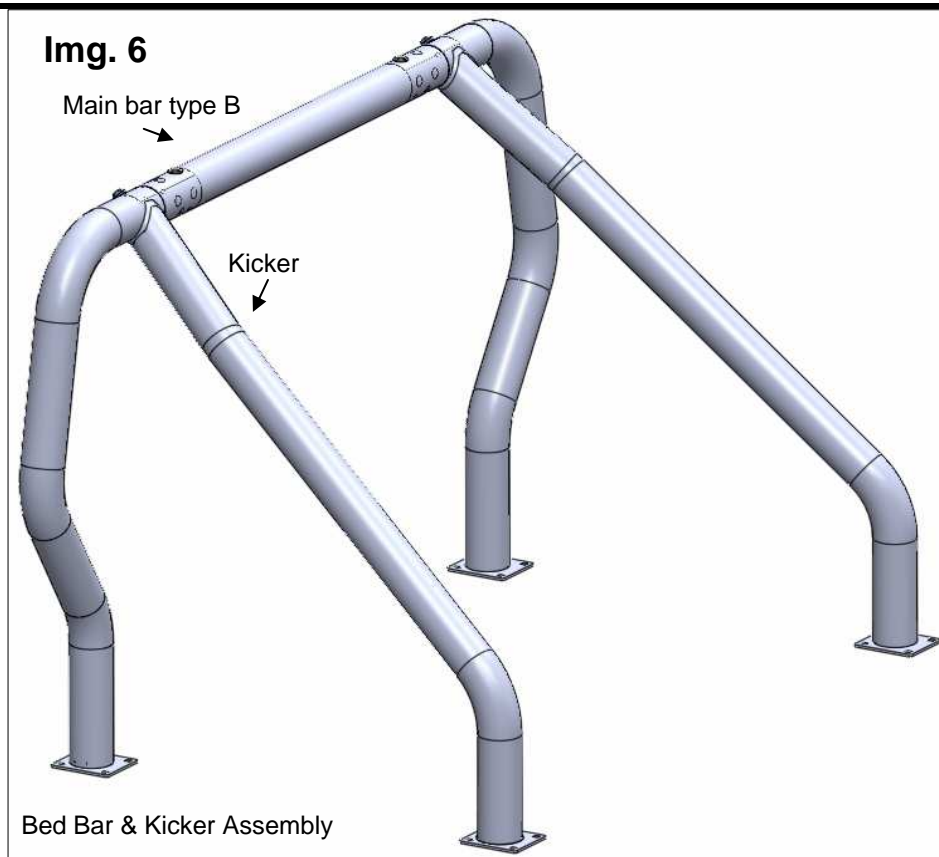
Quality:

# INSTALLATION INSTRUCTIONS

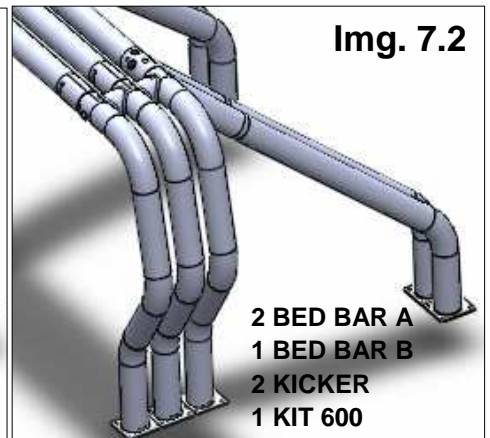
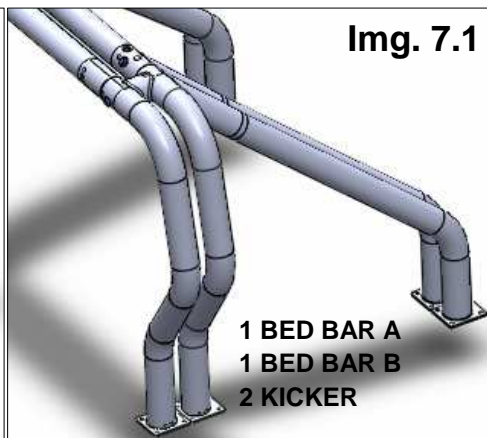
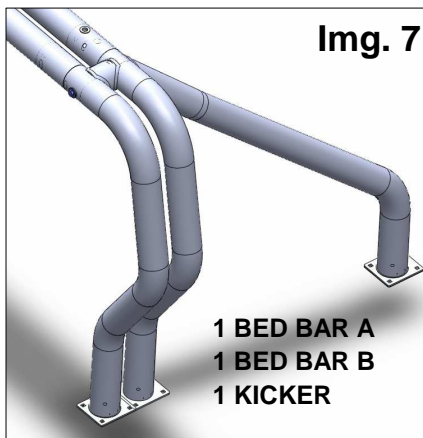
## MAIN BAR TIPO B

90002, 91002, 91502, 92002, 93002, 94002, 95002, 96002, 97002 y 98002

PS / B / C



Acquiring the necessary parts, you can make the following settings. Images 7, 7.1 y 7.2



8. Make any final adjustment to Bed Bar & Kicker alignment and then tighten all bolts from bottom to up.

9. Periodically it may need a bolts re-tighten.

10. Fill out the warranty card and place it inside your vehicle glove box

### Cleaning and care instructions:

Design:

Quality:

Keep your product clean. Do not use abrasive cleaners or polish. We recommend only non-abrasive automotive wax such as pure carnauba to avoid scratches or rust.

[View other truck bed accessories made by Go Rhino on our website.](#)