

Go Rhino are proud to offer a high quality product at the industries most competitive pricing!

## INSTALLATION INSTRUCTIONS

### A type MAIN BAR

**90001, 91001, 91501, 92001, 93001, 94001, 95001, 96001, 97001 y 98001**

**PS/B/C**

**Parts List:**

- |  |   |
|--|---|
| <p><b>a)</b> 1- LEG Driver side</p> <p><b>b)</b> 1- LEG Passenger side</p> <p><b>c)</b> 1- Cross Bar</p> <p><b>d)</b> 2- Mounting plate</p> <p><b>e)</b> 2- Tube spacer</p> <p><b>(1) Hardware kit includes:</b></p> <p><b>f)</b> 8- Plastic flat washer</p> <p><b>g)</b> 2- Round plastic gasket</p> <p><b>h)</b> 2- Rectangle plastic gasket</p> | <p><b>i)</b> 4- Plastic cover</p> <p>4- 3/8 x 5" Carriage bolt</p> <p>8- 3/8 x 1 1/2" Flat washer</p> <p>8- 3/8" Nut</p> <p>8- 3/8 x 1 1/2" Carriage bolt</p> <p>2- 3/8 x 1 1/2" Flat head bolt</p> <p>2- 3/8x5 1/2x2" Hex head bolt</p> <p>2- 3/8" Flat washer</p> <p>2- Whrite plastic washer</p> |
|--|---|

**Not Includes:**

**B type Main bar**  
**Kicker**

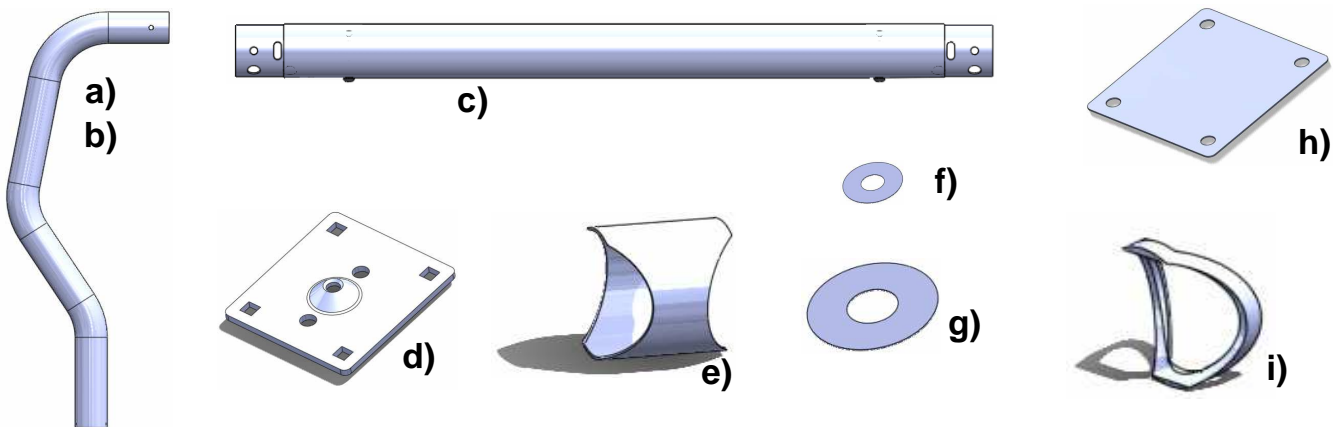
**Required tools:**

- |                    |            |        |
|--------------------|------------|--------|
| 9/16" Wrench       | Hand drill | Pencil |
| 7/32" Allen wrench | 7/16" Bit  |        |

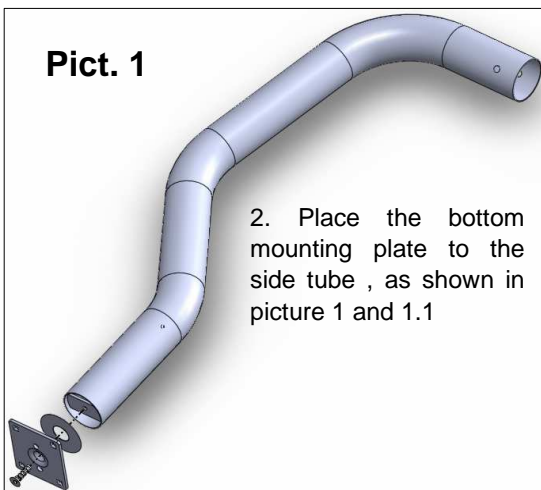
**Instructions:**

**Aprox. Installation time: 50 min.**

1. Read carefully and understand instructions before beginning installation. If you can not find any listed part, please stop installation and call to your distributor to get the missing parts, **on the last page mentions Main Bar B and Kicker, these accessories are sold separately.**

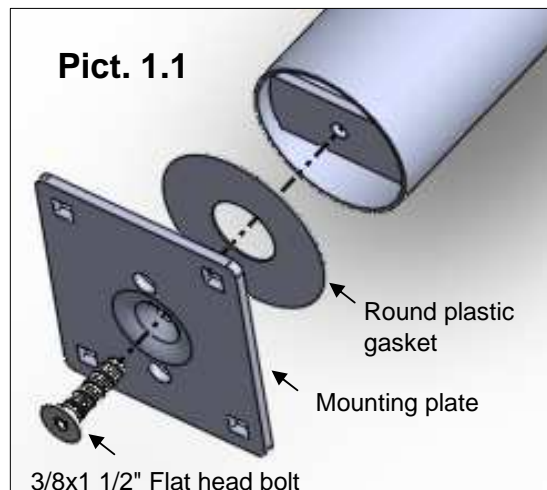


**Pict. 1**



2. Place the bottom mounting plate to the side tube, as shown in picture 1 and 1.1

**Pict. 1.1**



**Cleaning and care instructions:**

Keep your product clean. Do not use abrasive cleaners or polish. We recommend only non-abrasive automotive wax such as pure carnauba to avoid scratches or rust.

Design:

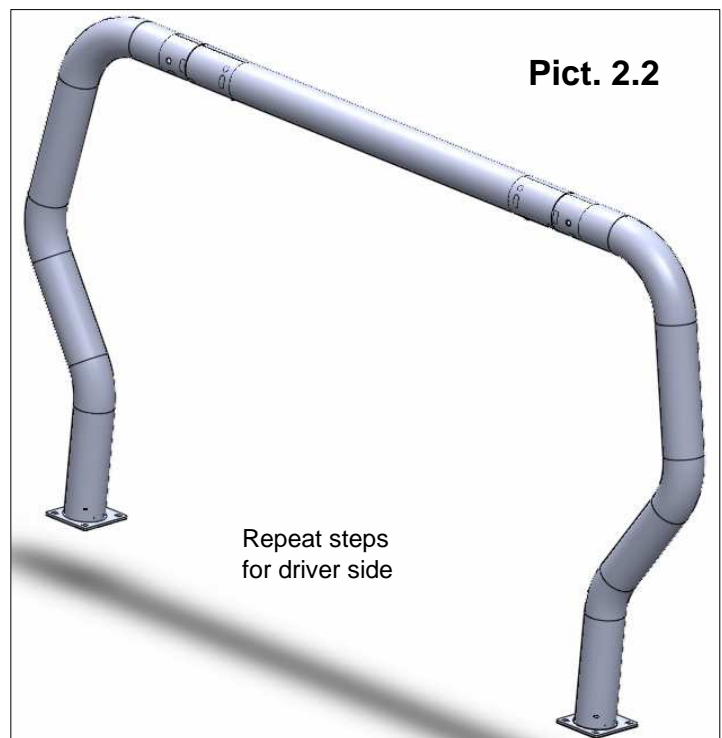
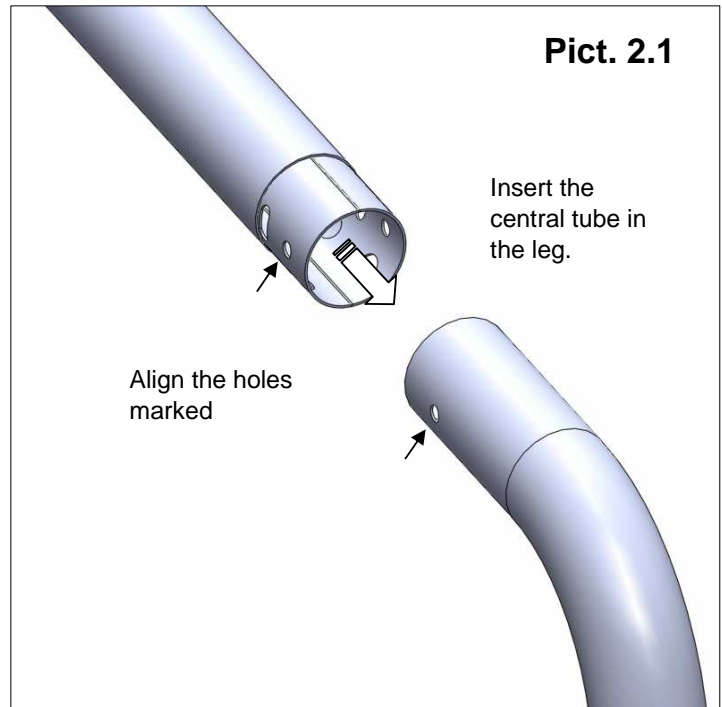
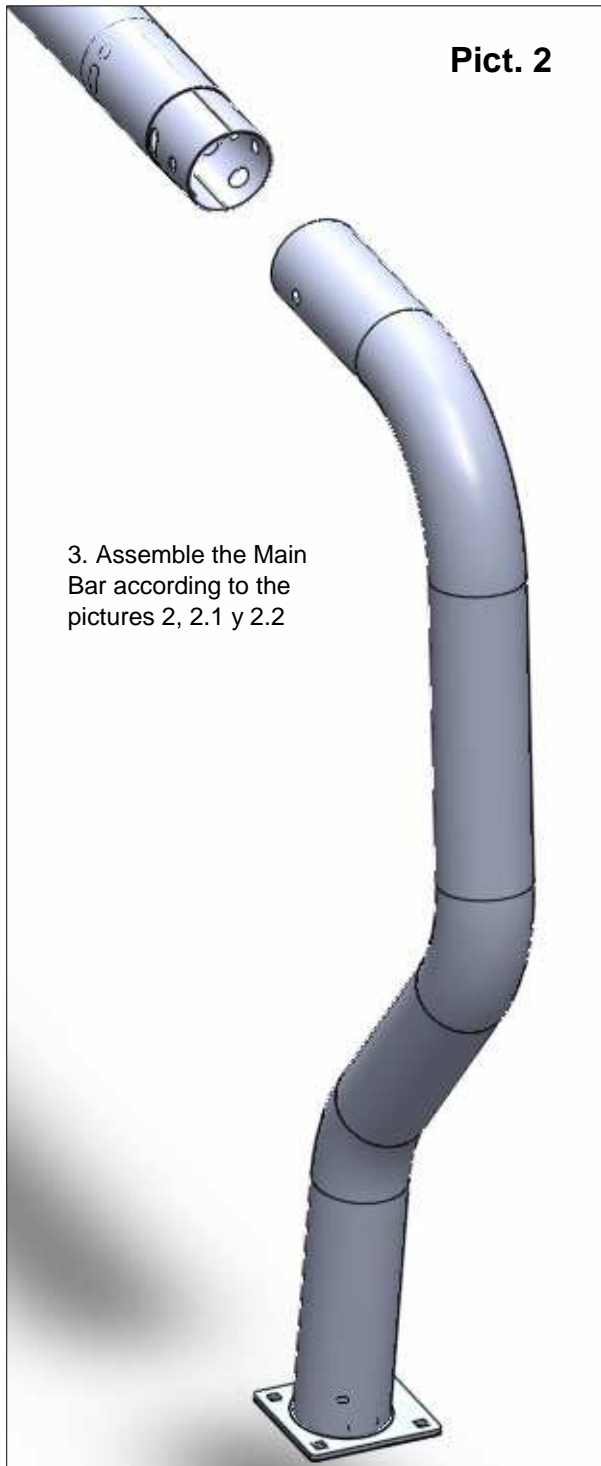
Quality:

## INSTALLATION INSTRUCTIONS

### A type MAIN BAR

90001, 91001, 91501, 92001, 93001, 94001, 95001, 96001, 97001 y 98001

PS/B/C



#### Cleaning and care instructions:

Keep your product clean. Do not use abrasive cleaners or polish. We recommend only non-abrasive automotive wax such as pure carnauba to avoid scratches or rust.

Design:

Quality:

## INSTALLATION INSTRUCTIONS

### A type MAIN BAR

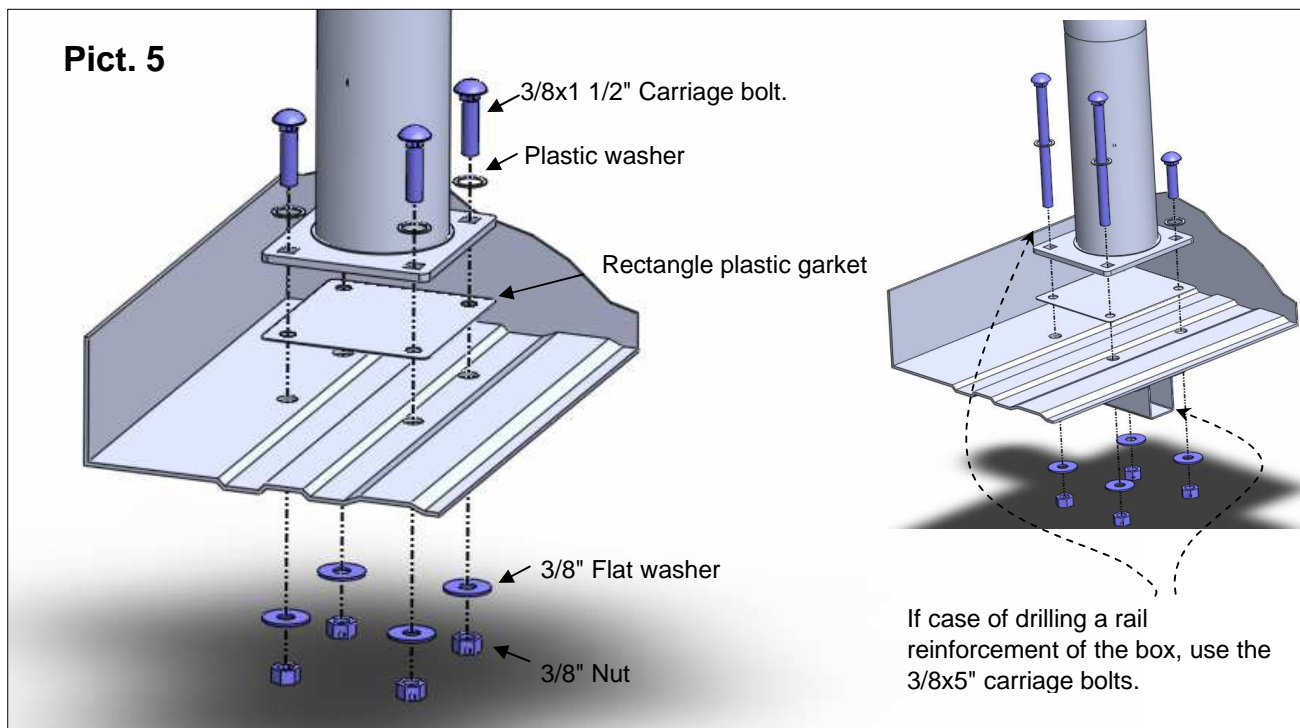
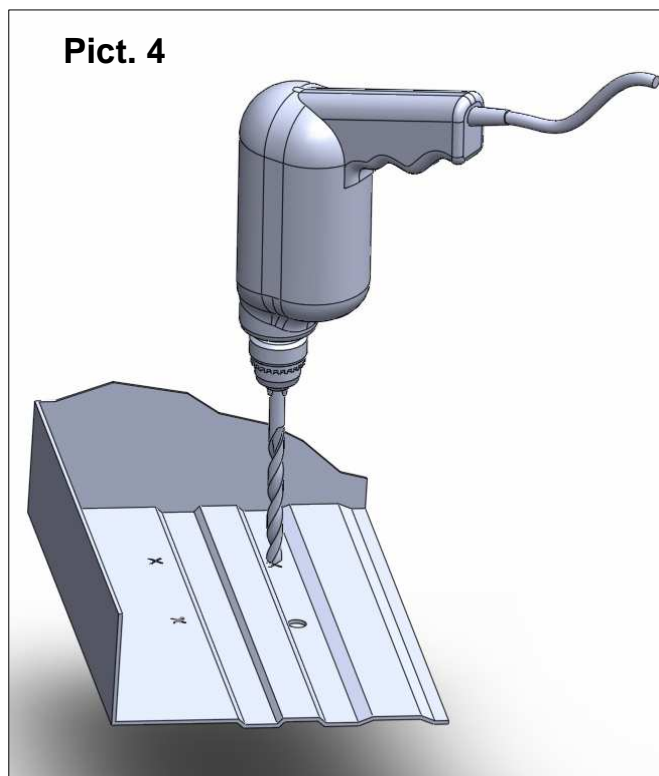
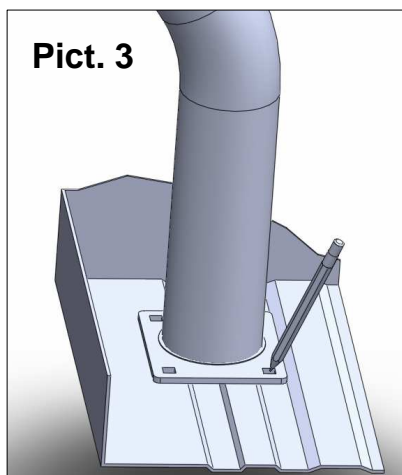
90001, 91001, 91501, 92001, 93001, 94001, 95001, 96001, 97001 y 98001

PS/B/C

3. Place the frame on the floor of the box, with a pencil mark the locations. to set main bar on both sides of the truck pict 3

4. Remove the Main bar and drill 7/16" holes pict 4

5. Relocate the Main bar, and attach it to the floor of the box. Pict 5



### Cleaning and care instructions:

Keep your product clean. Do not use abrasive cleaners or polish. We recommend only non-abrasive automotive wax such as pure carnauba to avoid scratches or rust.

Design:

Quality:

## INSTALLATION INSTRUCTIONS

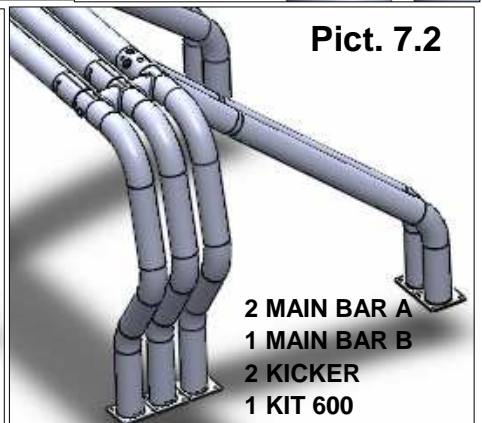
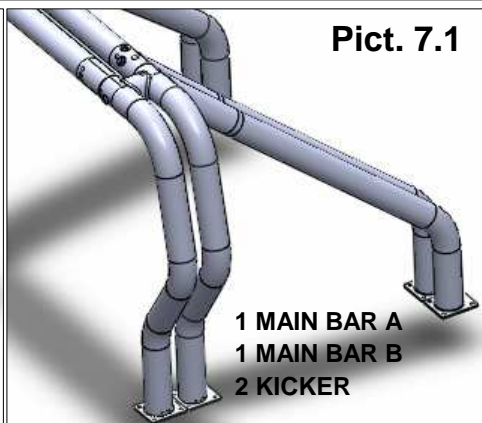
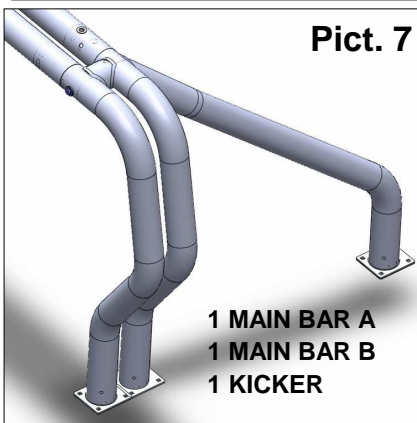
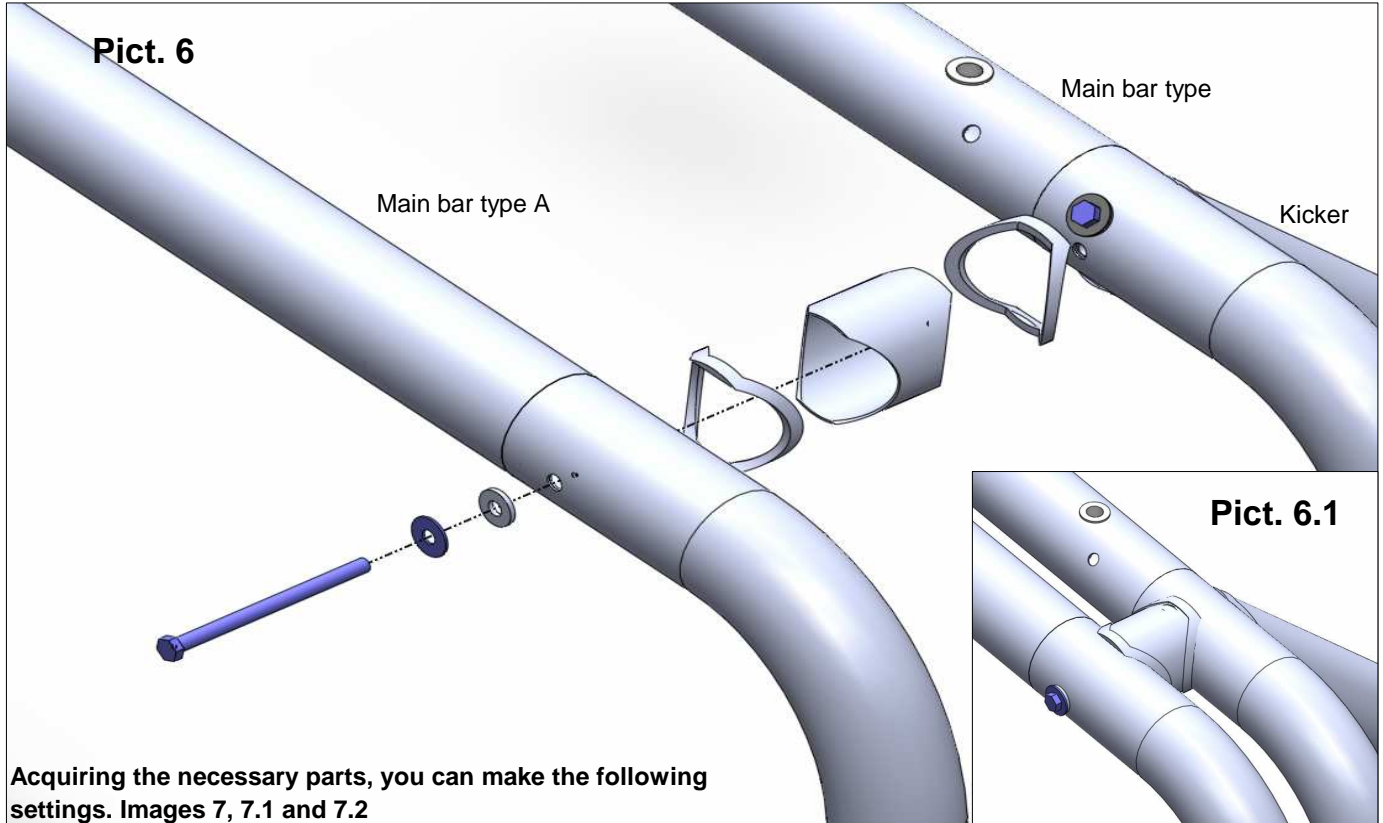
### A type MAIN BAR

90001, 91001, 91501, 92001, 93001, 94001, 95001, 96001, 97001 y 98001

PS/B/C

6. Follow the instructions contained in the B Bar B to assemble, and to keep the armed continue with step 7.

7. 6 and 6.1 The image shows you how to assemble your Bed Bar with a Type A Type B



8. Align Bed Bar, and then tighten all bolts, from bottom to up.

9. Periodically it may need a bolts re-tighten.

10. Fill out the warranty card and place it inside your vehicle's glove box.

#### Cleaning and care instructions:

Design:

Quality:

Keep your product clean. Do not use abrasive cleaners or polish. We recommend only non-abrasive automotive wax such as pure carnauba to avoid scratches or rust.